



US00D627743S

(12) **United States Design Patent**
Homuth

(10) **Patent No.:** **US D627,743 S**

(45) **Date of Patent:** **** Nov. 23, 2010**

(54) **COMPRESSOR MODULE FOR A COMPRESSOR**

(75) Inventor: **Dirk Homuth**, Flensburg (DE)

(73) Assignee: **Dabfoss Compressors GmbH**, Flensburg (DE)

(**) Term: **14 Years**

(21) Appl. No.: **29/333,525**

(22) Filed: **Mar. 11, 2009**

(51) **LOC (9) Cl.** **13-03**

(52) **U.S. Cl.** **D13/162**

(58) **Field of Classification Search** D13/123,
D13/124, 158, 159, 162.1, 162, 164, 173,
D13/177, 184, 199; 361/686, 687, 703, 725;
D14/100, 107, 114, 188; D15/9

See application file for complete search history.

(56) **References Cited**

U.S. PATENT DOCUMENTS

D366,867 S *	2/1996	Kurokawa et al.	D13/162
D379,174 S *	5/1997	Kornblum et al.	D13/123
D479,219 S *	9/2003	Abe et al.	D14/188
D556,218 S *	11/2007	Hansen	D15/9

* cited by examiner

Primary Examiner—Daniel D Bui

Assistant Examiner—Thomas J Johannes

(74) *Attorney, Agent, or Firm*—McCormick, Paulding & Huber LLP

(57) **CLAIM**

The ornamental design for a compressor module for a compressor, substantially as shown and described.

DESCRIPTION

FIG. 1 is a front, right perspective view of a compressor module for a compressor showing my new design;

FIG. 2 is a front view thereof;

FIG. 3 is a rear view thereof;

FIG. 4 is a top view thereof;

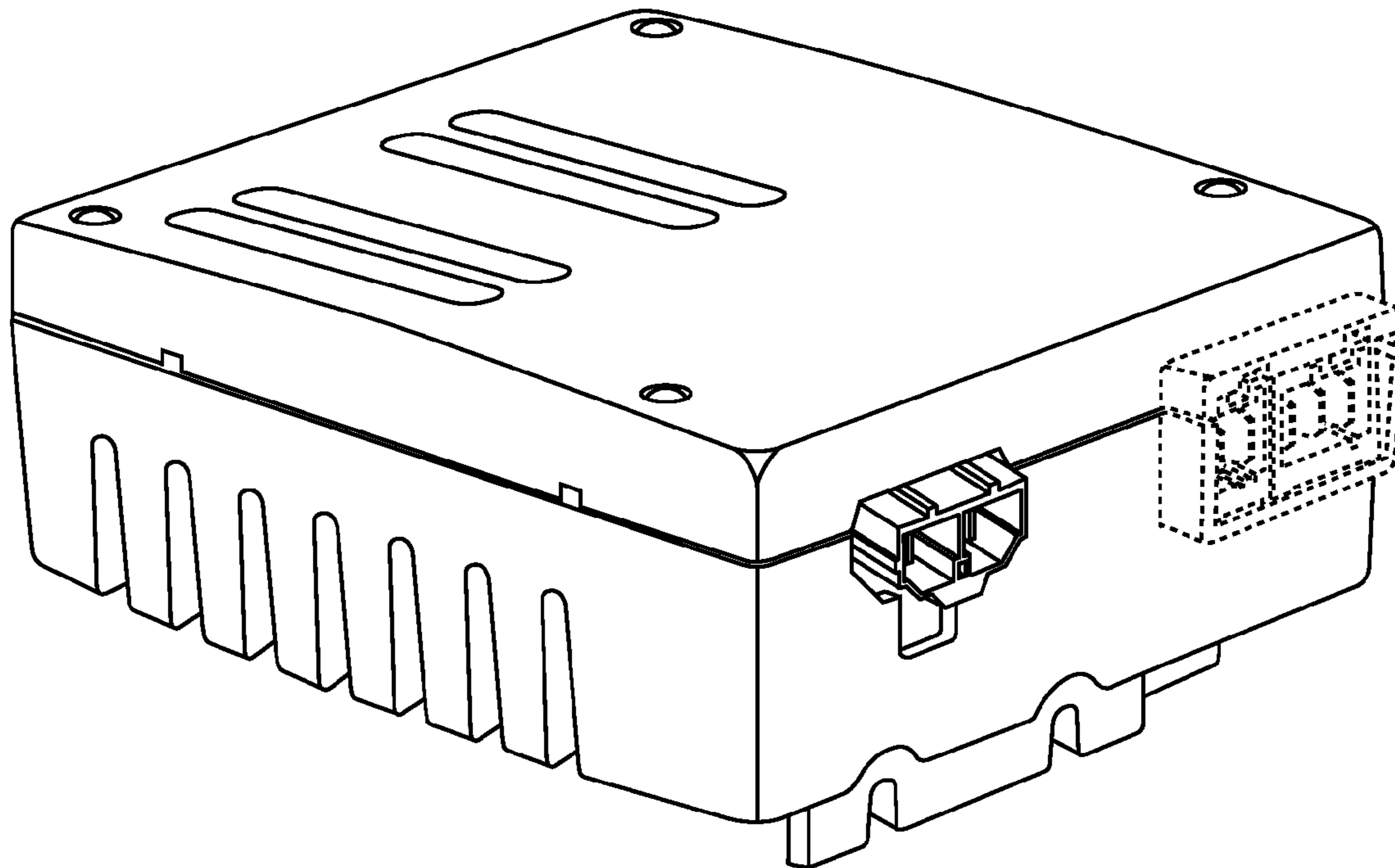
FIG. 5 is a bottom view thereof;

FIG. 6 is a right side view thereof; and,

FIG. 7 is a left side view thereof.

The broken line portion of the figure drawings is included to show unclaimed subject matter only and forms no part of the claimed design.

1 Claim, 4 Drawing Sheets



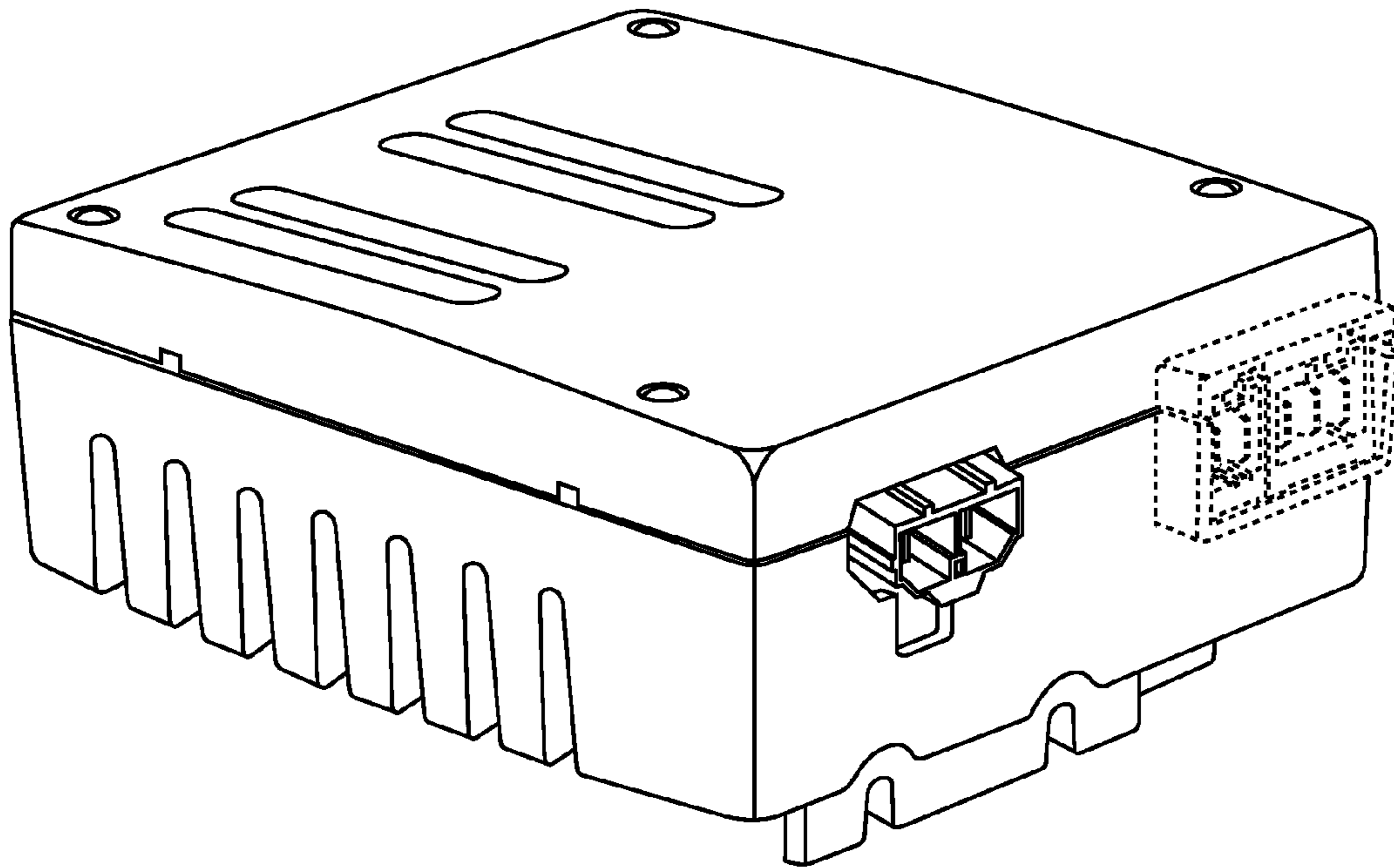


FIG. 1

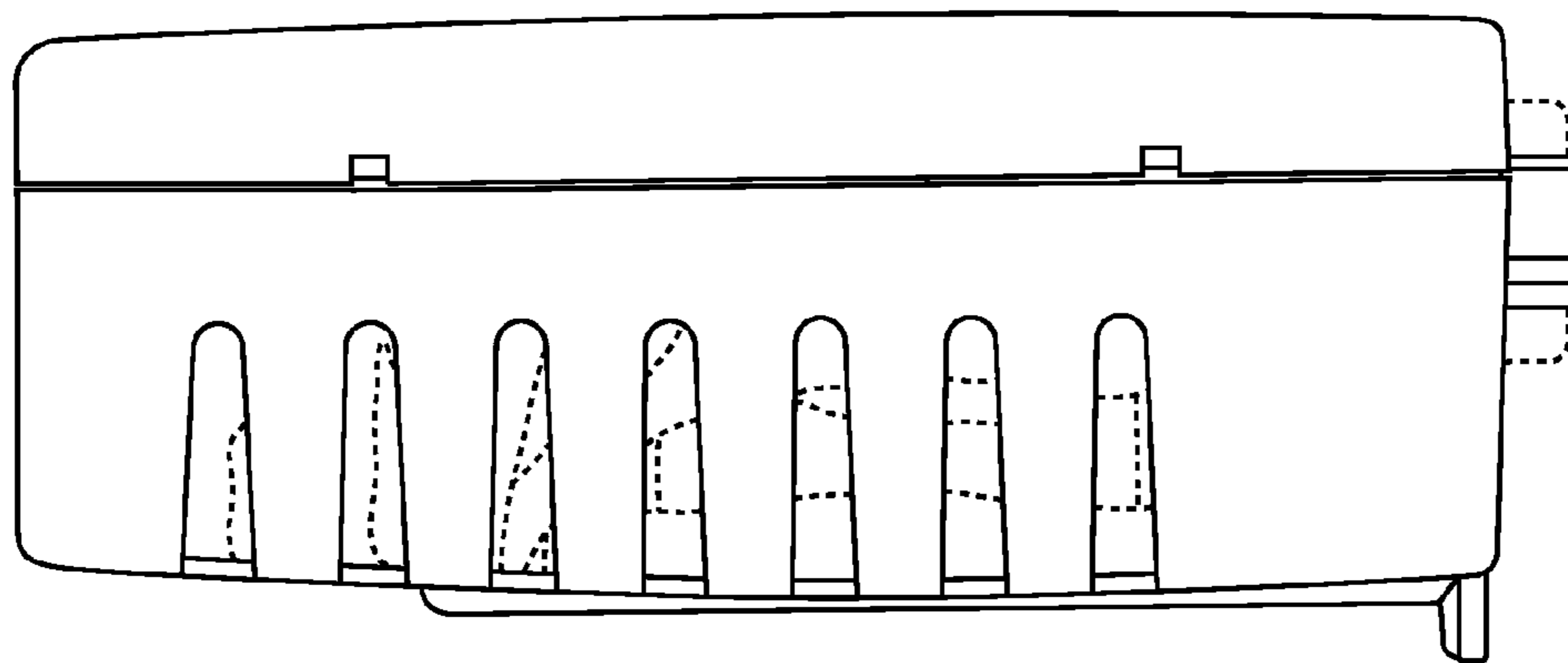


FIG. 2

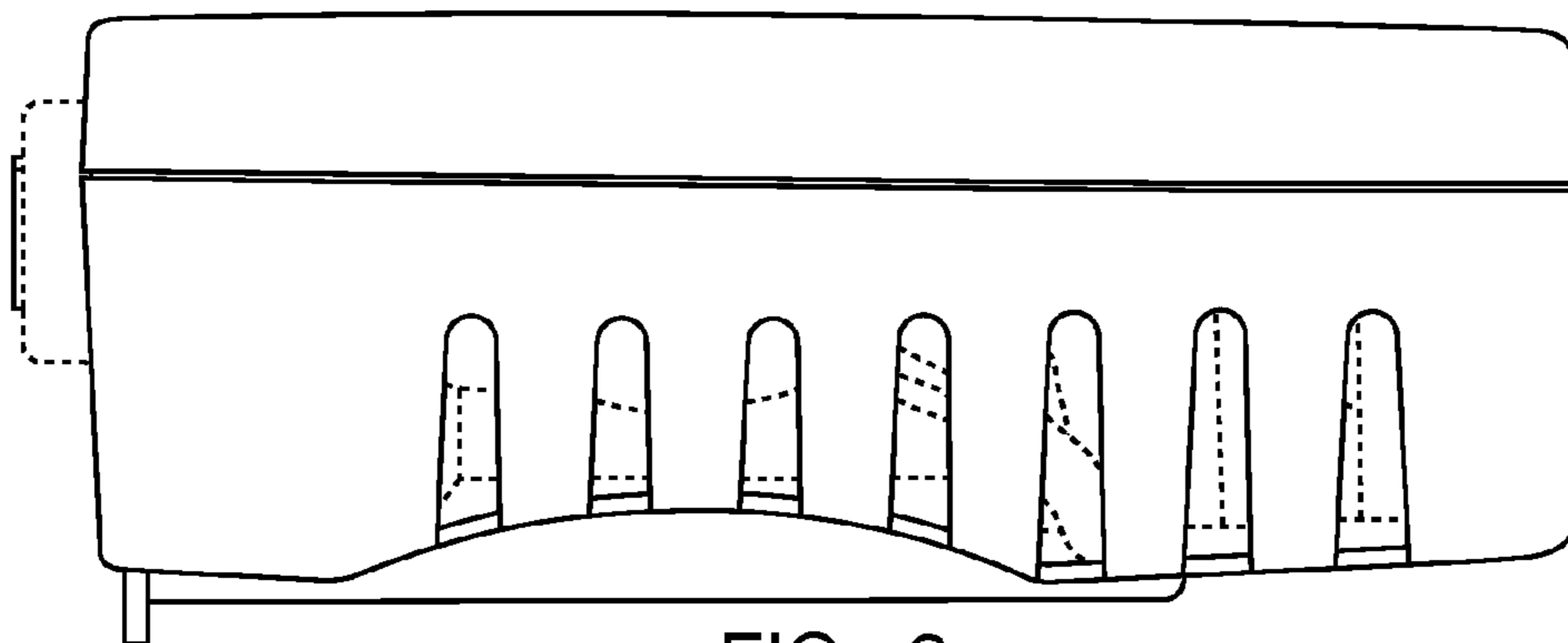


FIG. 3

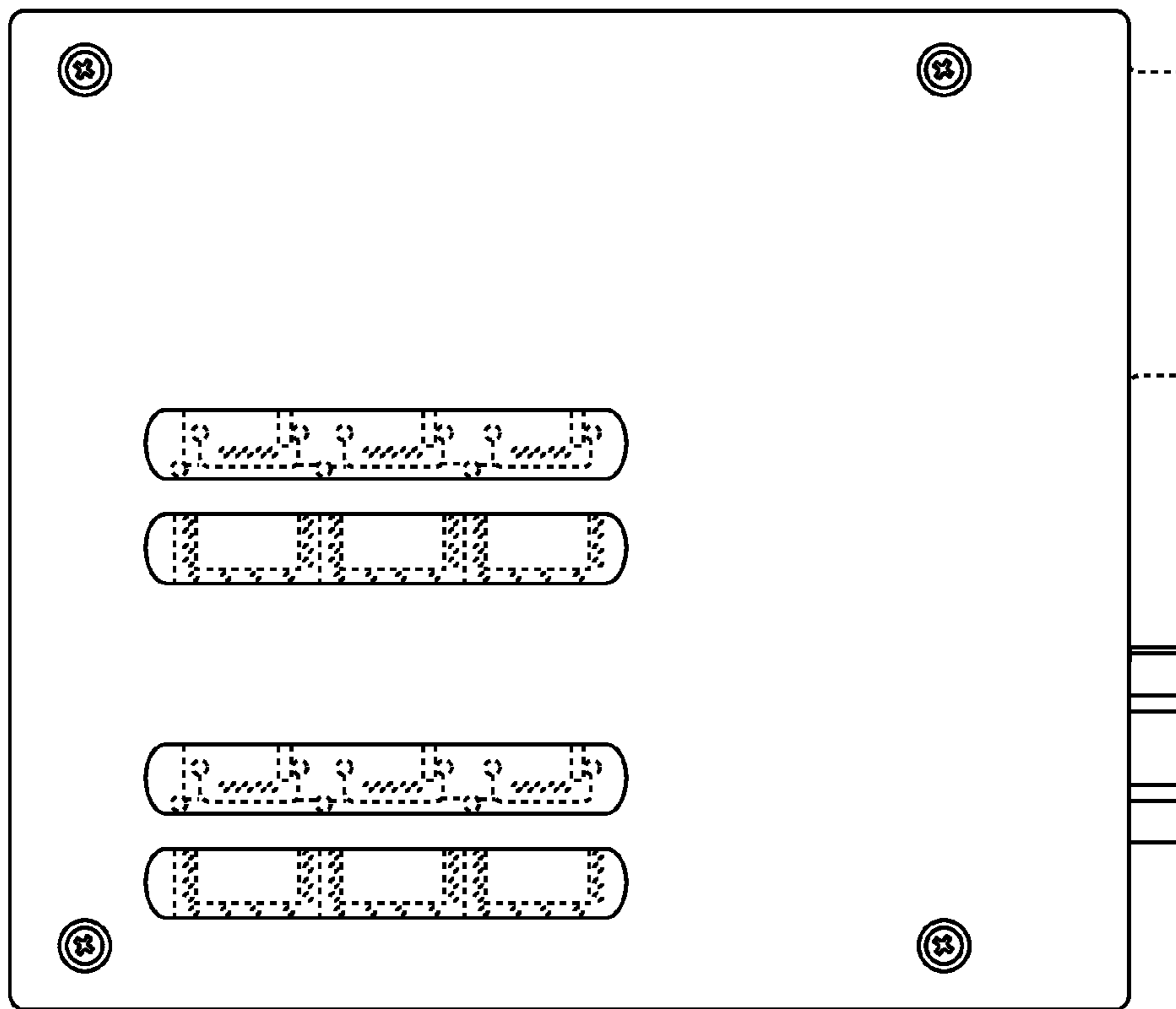


FIG. 4

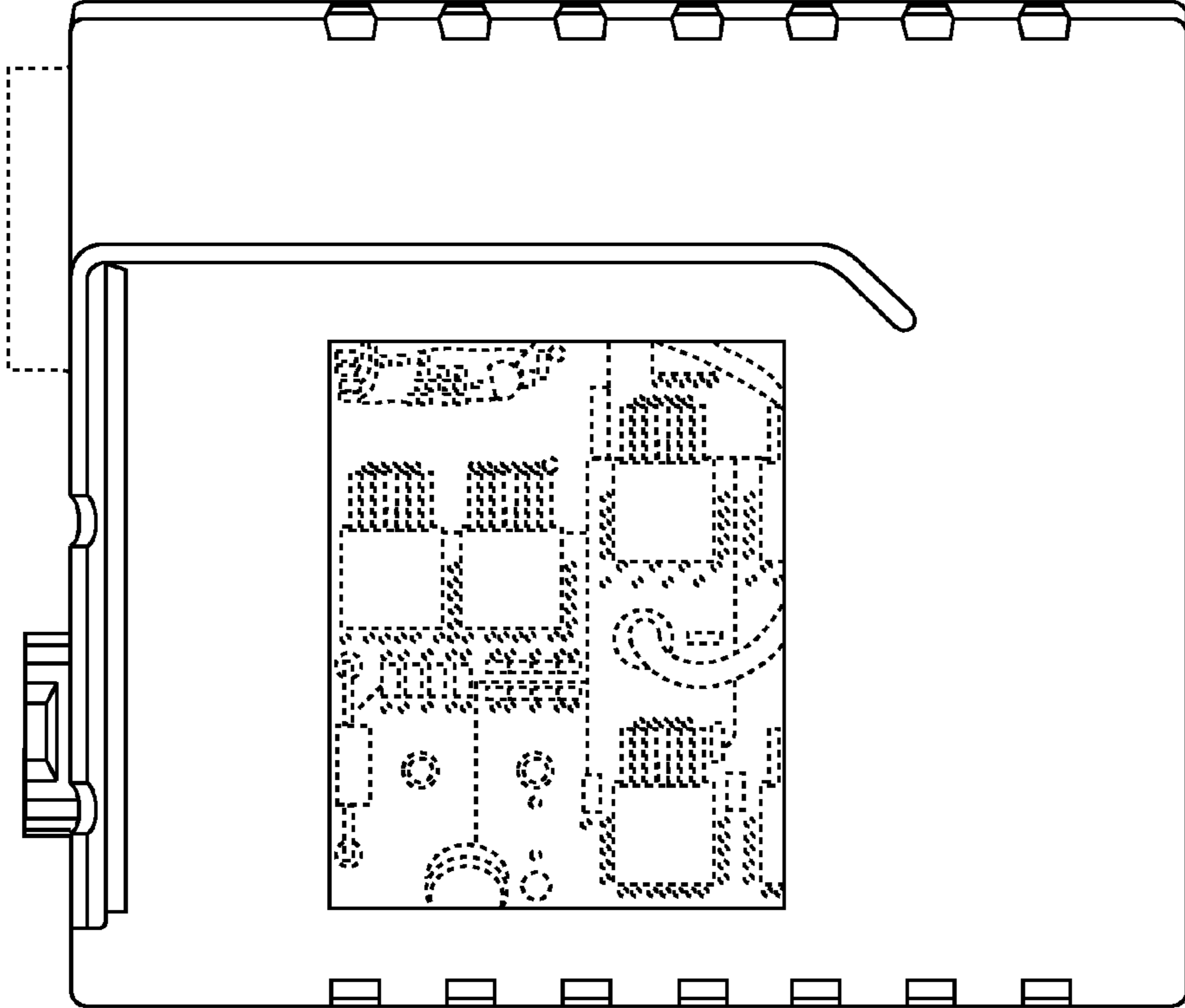


FIG. 5

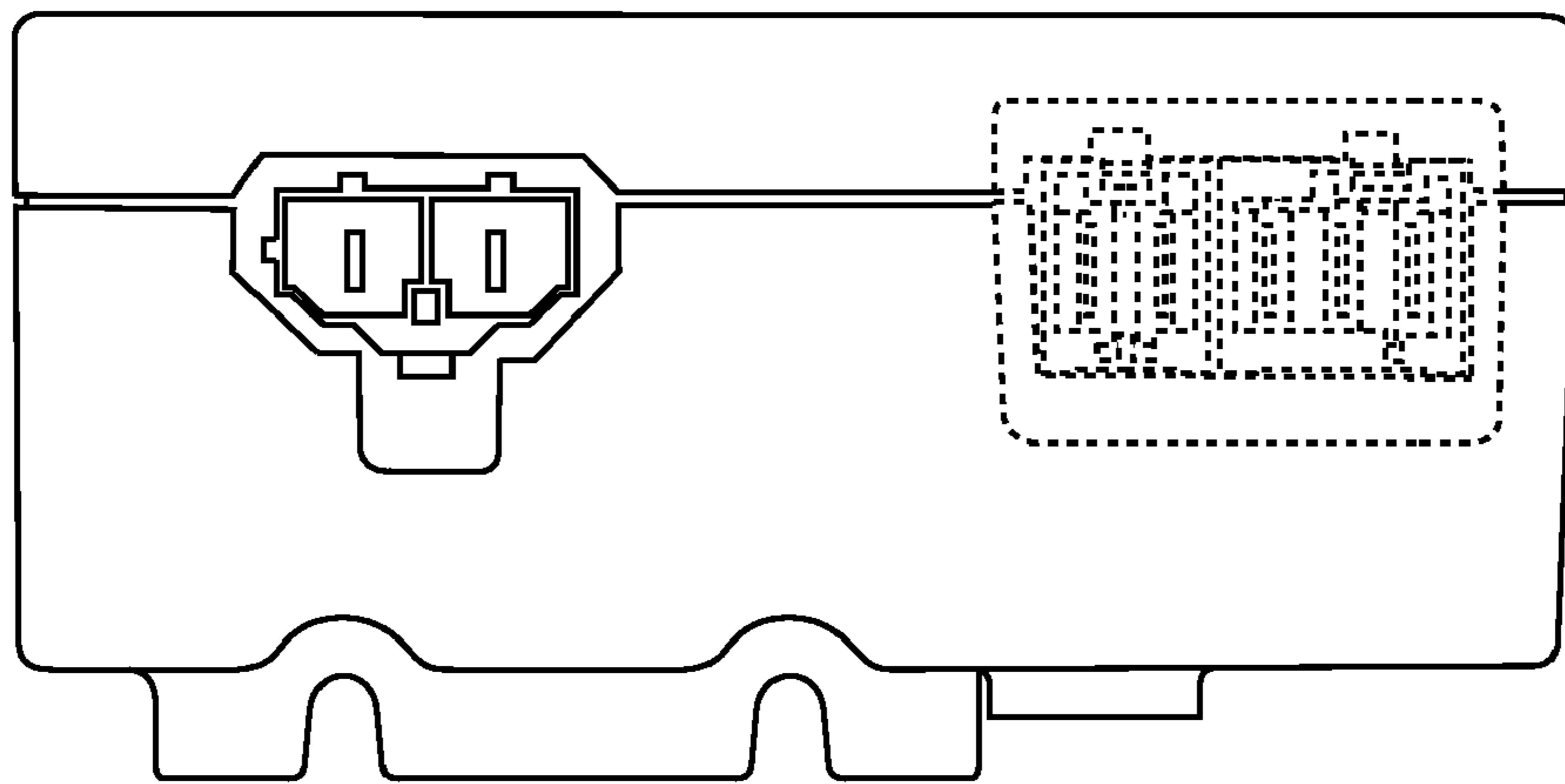


FIG. 6

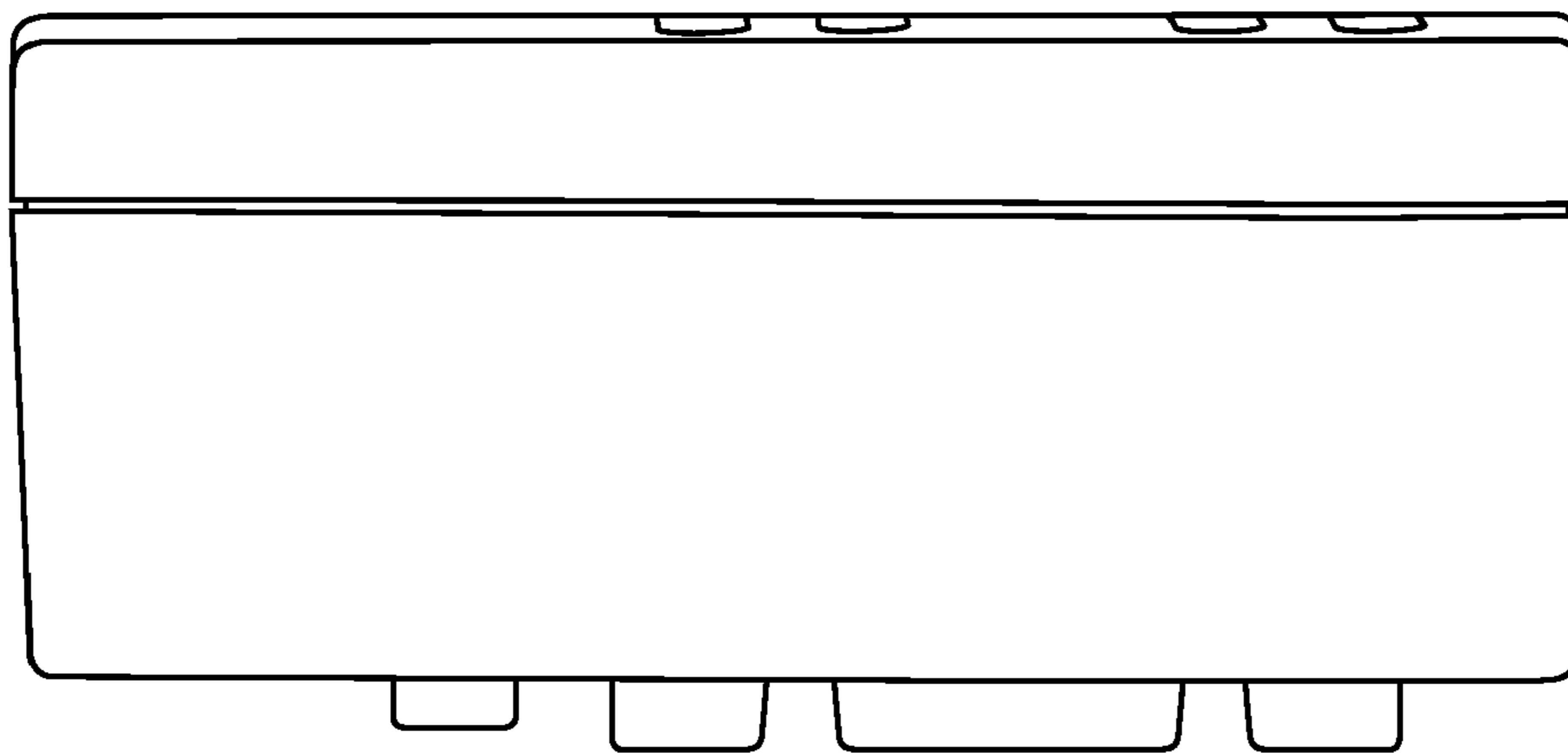


FIG. 7

UNITED STATES PATENT AND TRADEMARK OFFICE
CERTIFICATE OF CORRECTION

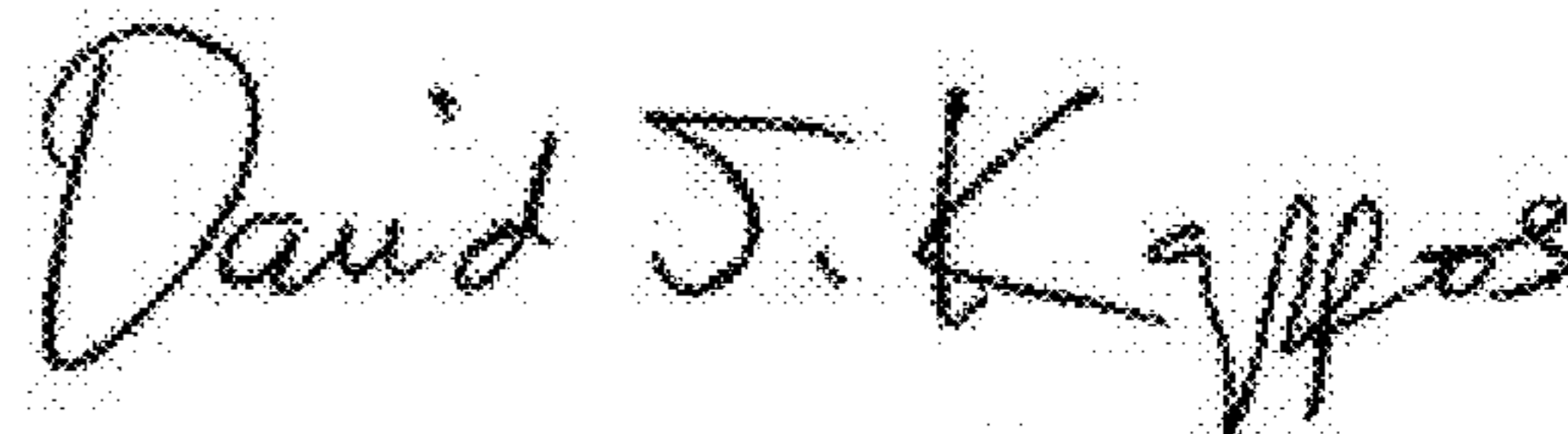
PATENT NO. : D627,743 S
APPLICATION NO. : 29/333525
DATED : November 23, 2010
INVENTOR(S) : Dirk Homuth

Page 1 of 1

It is certified that error appears in the above-identified patent and that said Letters Patent is hereby corrected as shown below:

On the title page, item [73]
The Assignee should read "Danfoss Compressors GmbH".

Signed and Sealed this
Twenty-ninth Day of March, 2011

A handwritten signature in black ink that reads "David J. Kappos". The signature is written in a cursive style with a large initial 'D' and 'K'.

David J. Kappos
Director of the United States Patent and Trademark Office