



US00D627742S

(12) **United States Design Patent**  
**Yamanaka**

(10) **Patent No.:** **US D627,742 S**  
(45) **Date of Patent:** **\*\* Nov. 23, 2010**

(54) **PUSH SWITCH**

(75) Inventor: **Satoshi Yamanaka**, Yao (JP)

(73) Assignee: **Hosiden Corporation**, Yao-shi, Osaka (JP)

(\*\*) Term: **14 Years**

(21) Appl. No.: **29/365,005**

(22) Filed: **Jul. 1, 2010**

**Related U.S. Application Data**

(62) Division of application No. 29/356,622, filed on Mar. 1, 2010, which is a division of application No. 29/332,520, filed on Feb. 18, 2009, now Pat. No. Des. 613,253.

(30) **Foreign Application Priority Data**

Aug. 19, 2008 (JP) ..... 2008-021141  
Aug. 19, 2008 (JP) ..... 2008-021142  
Aug. 19, 2008 (JP) ..... 2008-021143

(51) **LOC (9) Cl.** ..... **13-03**

(52) **U.S. Cl.** ..... **D13/158**

(58) **Field of Classification Search** ..... D13/158,  
D13/169, 170, 171, 174, 184, 199; 200/1 B,  
200/5 A, 6 R, 293, 297, 314, 315, 341, 344,  
200/406, 513, 520, 523, 530

See application file for complete search history.

(56) **References Cited**

**U.S. PATENT DOCUMENTS**

6,018,132 A \* 1/2000 Chen ..... 200/406  
7,022,928 B2 4/2006 Watanabe et al.  
D561,705 S 2/2008 Tsuduki  
D590,782 S 4/2009 Asada  
7,525,059 B2 4/2009 Masuda et al.

7,547,858 B2 6/2009 Nagata  
D602,443 S 10/2009 Maehara  
D613,253 S \* 4/2010 Yamanaka ..... D13/158  
D613,254 S \* 4/2010 Tsuduki ..... D13/158

(Continued)

*Primary Examiner*—Thomas J Johannes

(74) *Attorney, Agent, or Firm*—Rankin, Hill & Clark LLP

(57) **CLAIM**

I claim the ornamental design for a push switch, as shown and described.

**DESCRIPTION**

FIG. 1 is a front, left side and top perspective view of a push switch in accordance with a first embodiment of my new design;

FIG. 2 is a front, right side and bottom perspective view of the push switch in accordance with the first embodiment of my new design;

FIG. 3 is a rear, right side and top perspective view of the push switch in accordance with the first embodiment of my new design;

FIG. 4 is a front elevation view of the push switch in accordance with the first embodiment of my new design;

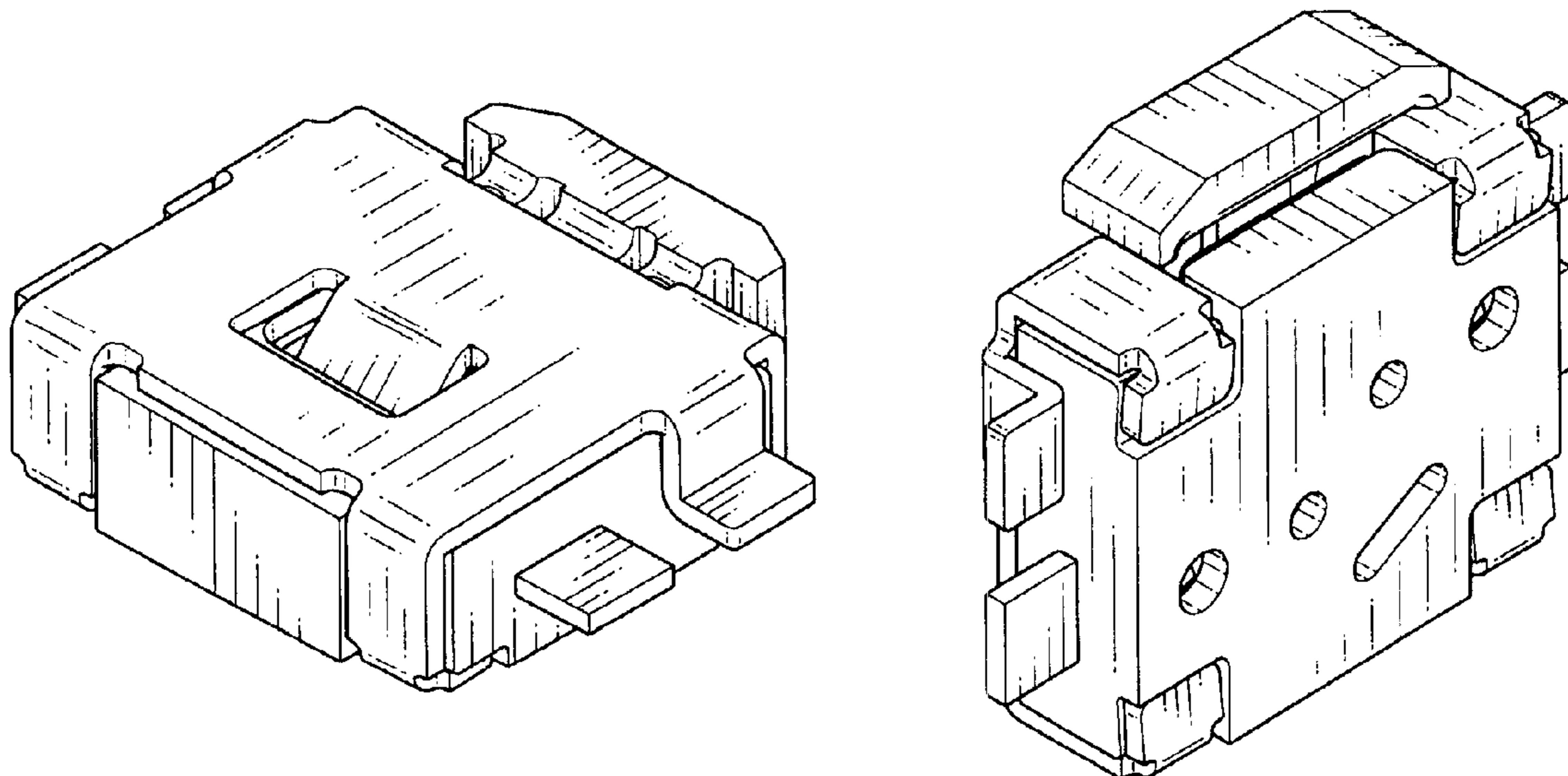
FIG. 5 is a rear view of the push switch in accordance with the first embodiment of my new design;

FIG. 6 is a left side view of the push switch in accordance with the first embodiment of my new design, a right side view being a mirror image thereof

FIG. 7 is a top plan view of the push switch in accordance with the first embodiment of my new design; and,

FIG. 8 is a bottom plan view of the push switch in accordance with the first embodiment of my new design.

**1 Claim, 4 Drawing Sheets**



# US D627,742 S

Page 2

---

U.S. PATENT DOCUMENTS	2010/0089733 A1*	4/2010	Yanai et al. ....	200/341
7,741,573 B2 *	6/2010	Masuda et al. ....		200/406
2008/0029377 A1	2/2008	Tsuduki		

\* cited by examiner

Fig. 1

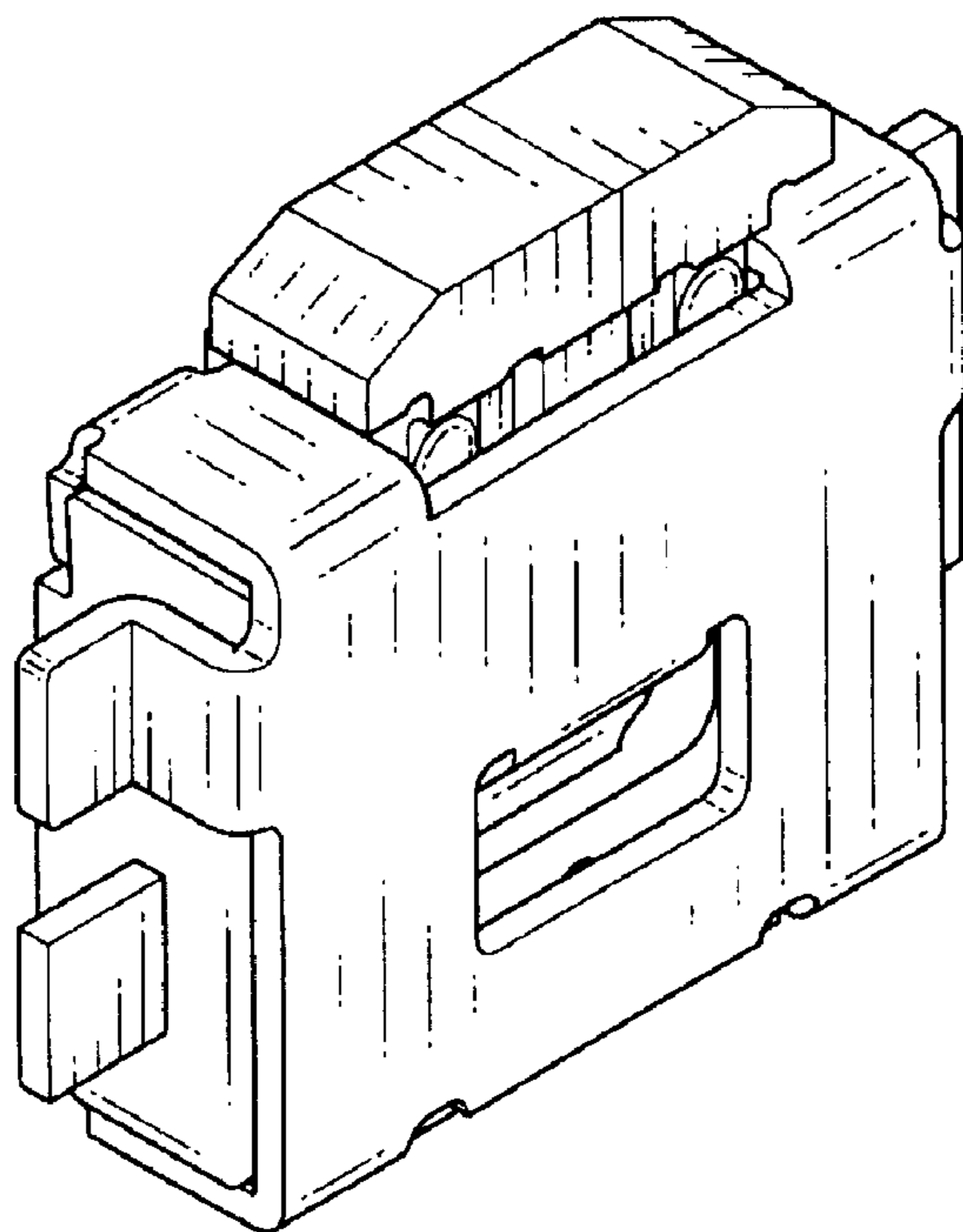


Fig. 2

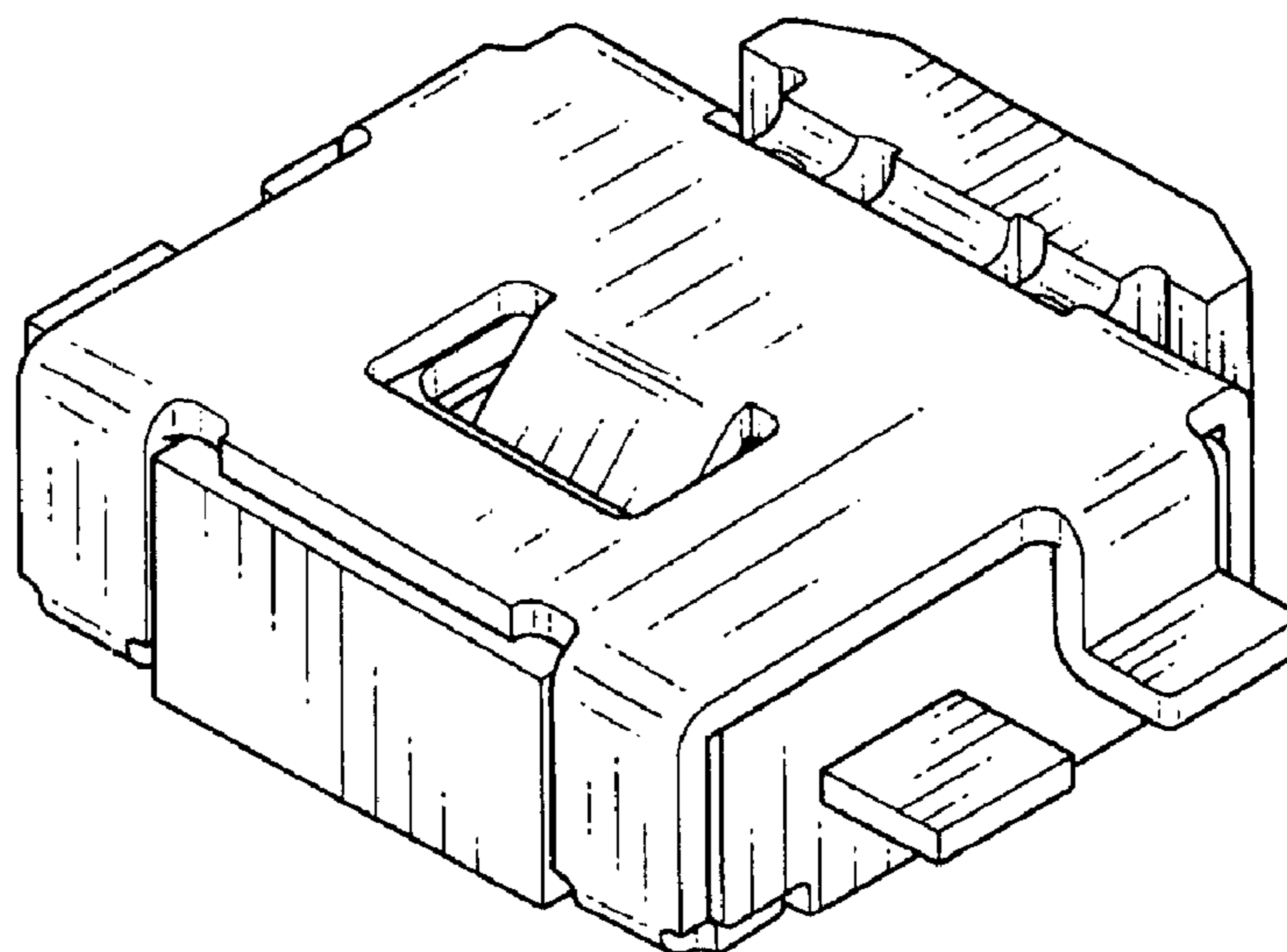


Fig. 3

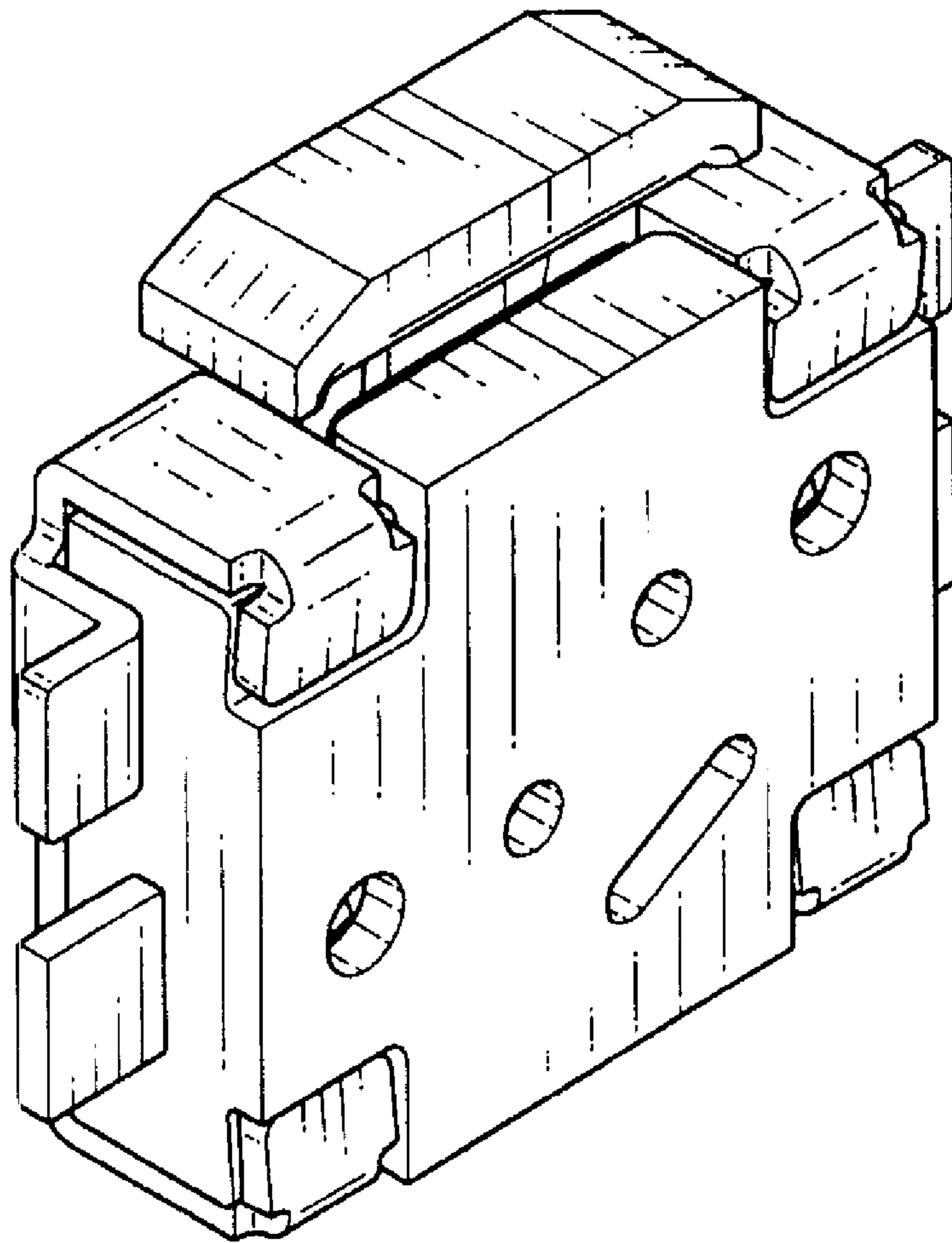


Fig. 4

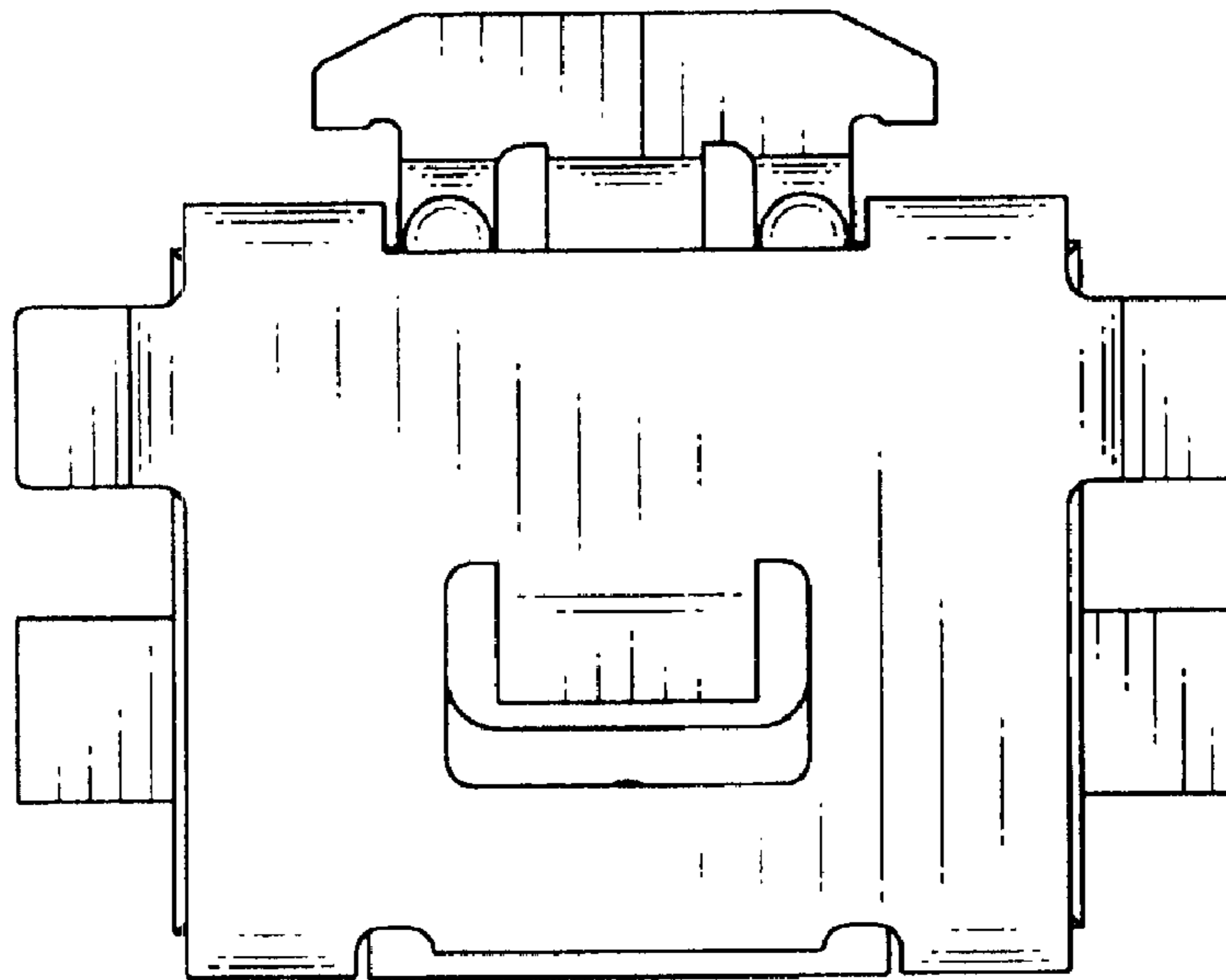


Fig. 5

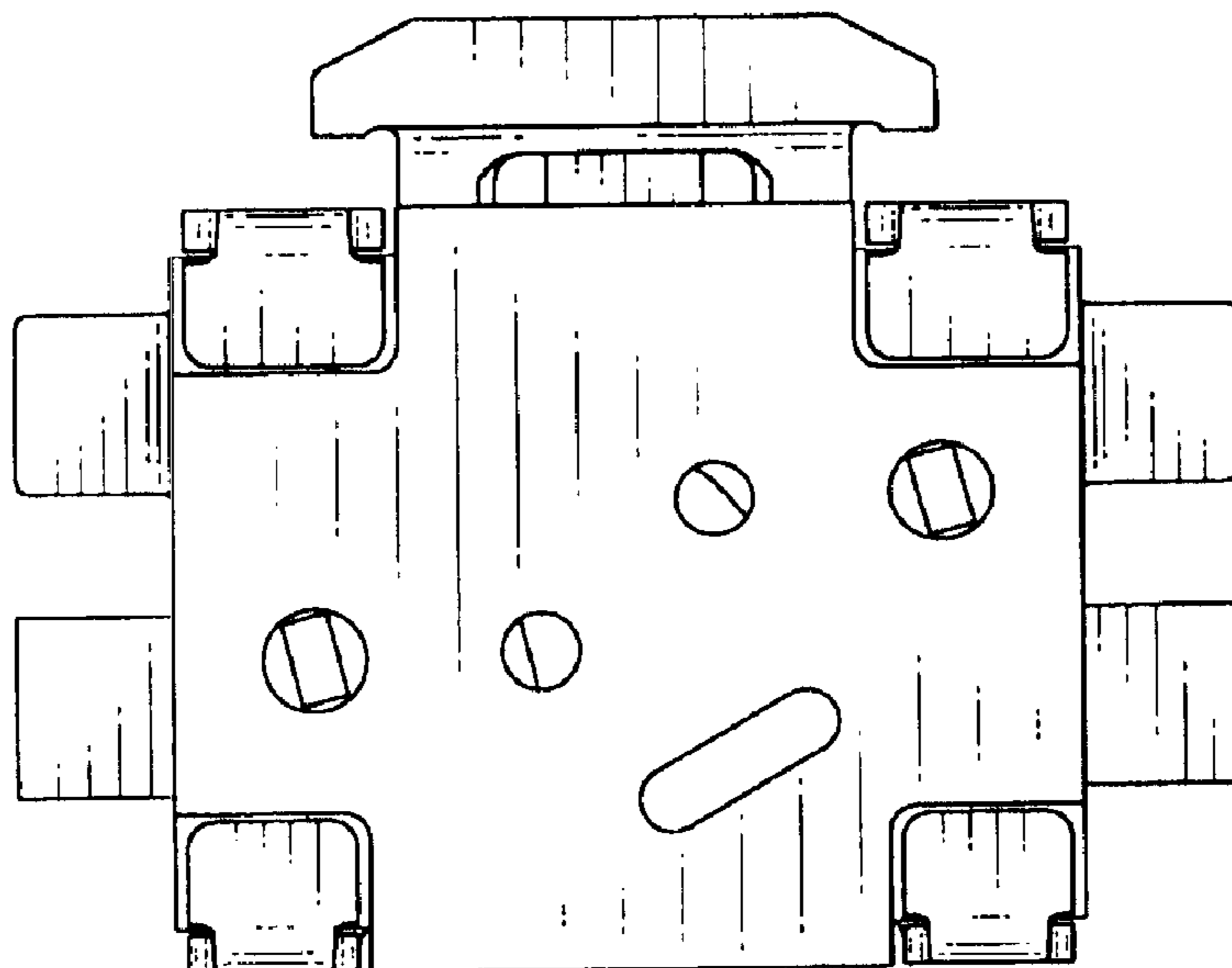


Fig. 6

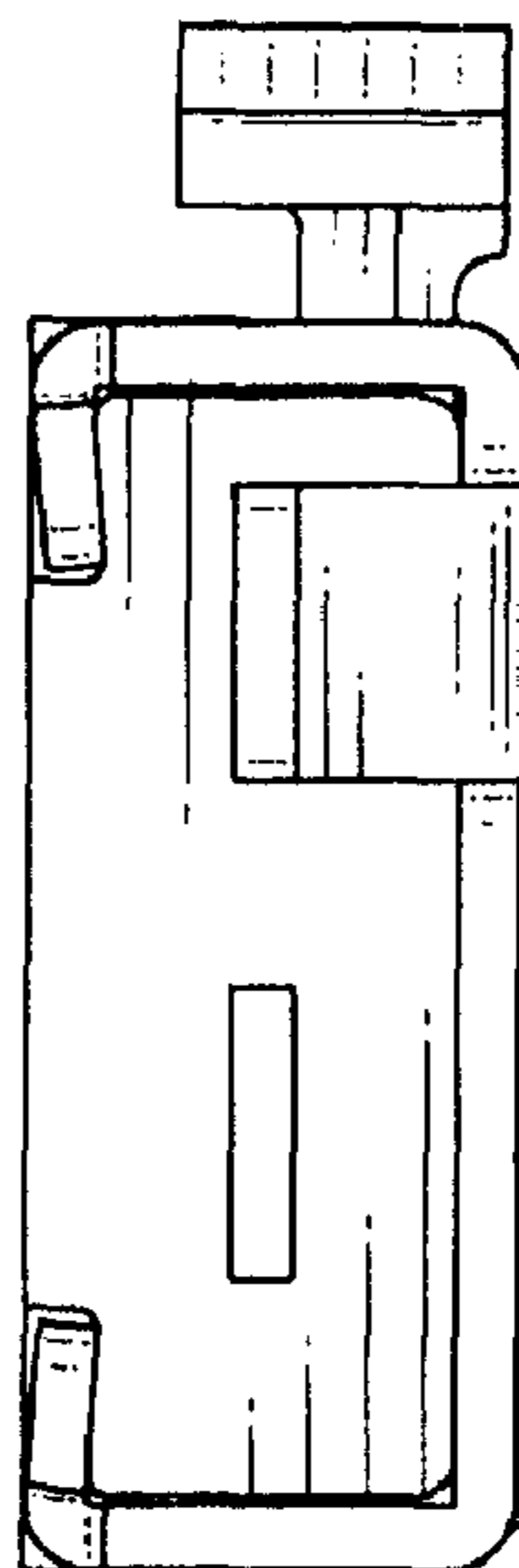


Fig. 7

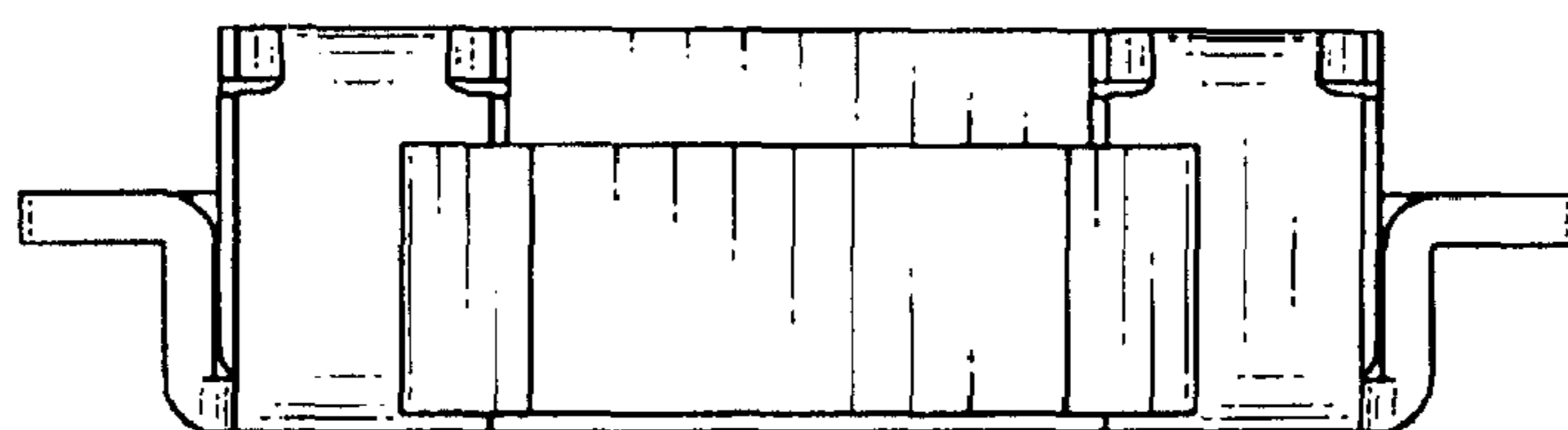


Fig. 8

