



US00D627741S

(12) **United States Design Patent**  
**McNutt et al.**

(10) **Patent No.:** **US D627,741 S**

(45) **Date of Patent:** **\*\* Nov. 23, 2010**

(54) **PATCH PANEL**

(75) Inventors: **Patrick S. McNutt**, Carnation, WA  
(US); **Edward R. Burns**, Kirkland, WA  
(US)

(73) Assignee: **Leviton Manufacturing Co., Inc.**, Little  
Neck, NY (US)

(\*\*) Term: **14 Years**

(21) Appl. No.: **29/363,002**

(22) Filed: **Jun. 3, 2010**

**Related U.S. Application Data**

(62) Division of application No. 29/354,505, filed on Jan.  
25, 2010, which is a division of application No.  
29/325,400, filed on Sep. 30, 2008, now Pat. No. Des.  
616,374.

(51) **LOC (9) Cl.** ..... **13-03**

(52) **U.S. Cl.** ..... **D13/154; D13/164; D13/177**

(58) **Field of Classification Search** ..... D13/133,  
D13/146, 147, 154, 164, 177, 184, 199; 439/344,  
439/379, 535, 536, 538, 571, 540.1, 541.1,  
439/57, 638, 650, 676; D14/240, 256, 299  
See application file for complete search history.

(56) **References Cited**

**U.S. PATENT DOCUMENTS**

D359,475 S 6/1995 Coffey

D366,025 S \* 1/1996 Siemon et al. .... D13/154  
D411,514 S 6/1999 Tulley  
D411,515 S 6/1999 Tulley  
6,761,583 B2 \* 7/2004 Ortowski et al. .... 439/540.1  
D554,598 S \* 11/2007 Laursen et al. .... D13/184  
D616,374 S \* 5/2010 McNutt et al. .... D13/154  
2009/0053923 A1 2/2009 Navarro et al.

\* cited by examiner

*Primary Examiner*—Daniel D Bui

*Assistant Examiner*—Thomas J Johannes

(74) *Attorney, Agent, or Firm*—Davis Wright Tremaine LLP;  
George C. Rondeau, Jr.

(57) **CLAIM**

The ornamental design for a patch panel, as shown and  
described.

**DESCRIPTION**

FIG. 1 is a top left, front perspective view of a patch panel  
showing our new design.

FIG. 2 is a front elevational view thereof.

FIG. 3 is a rear elevational view thereof.

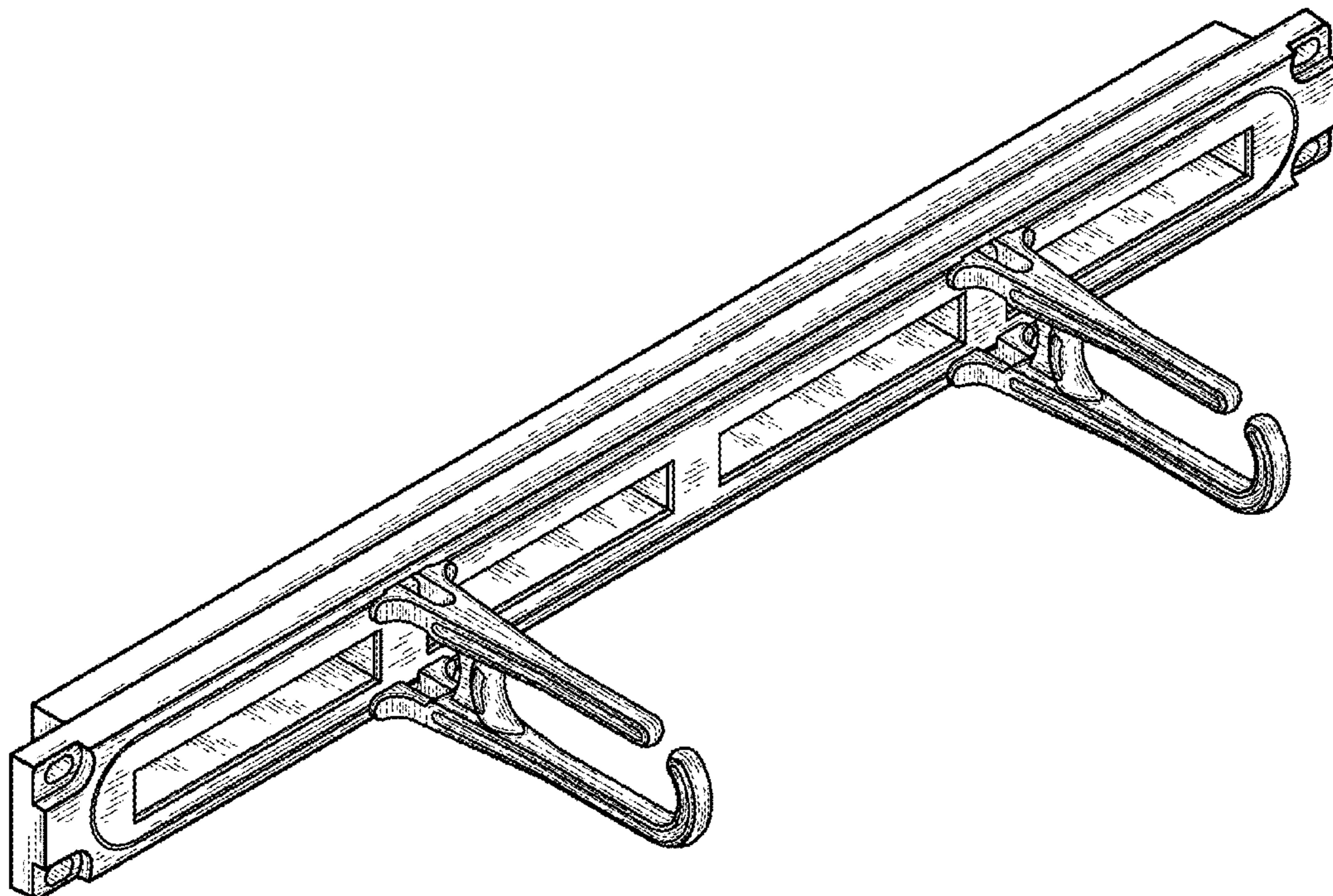
FIG. 4 is a right side elevational view thereof.

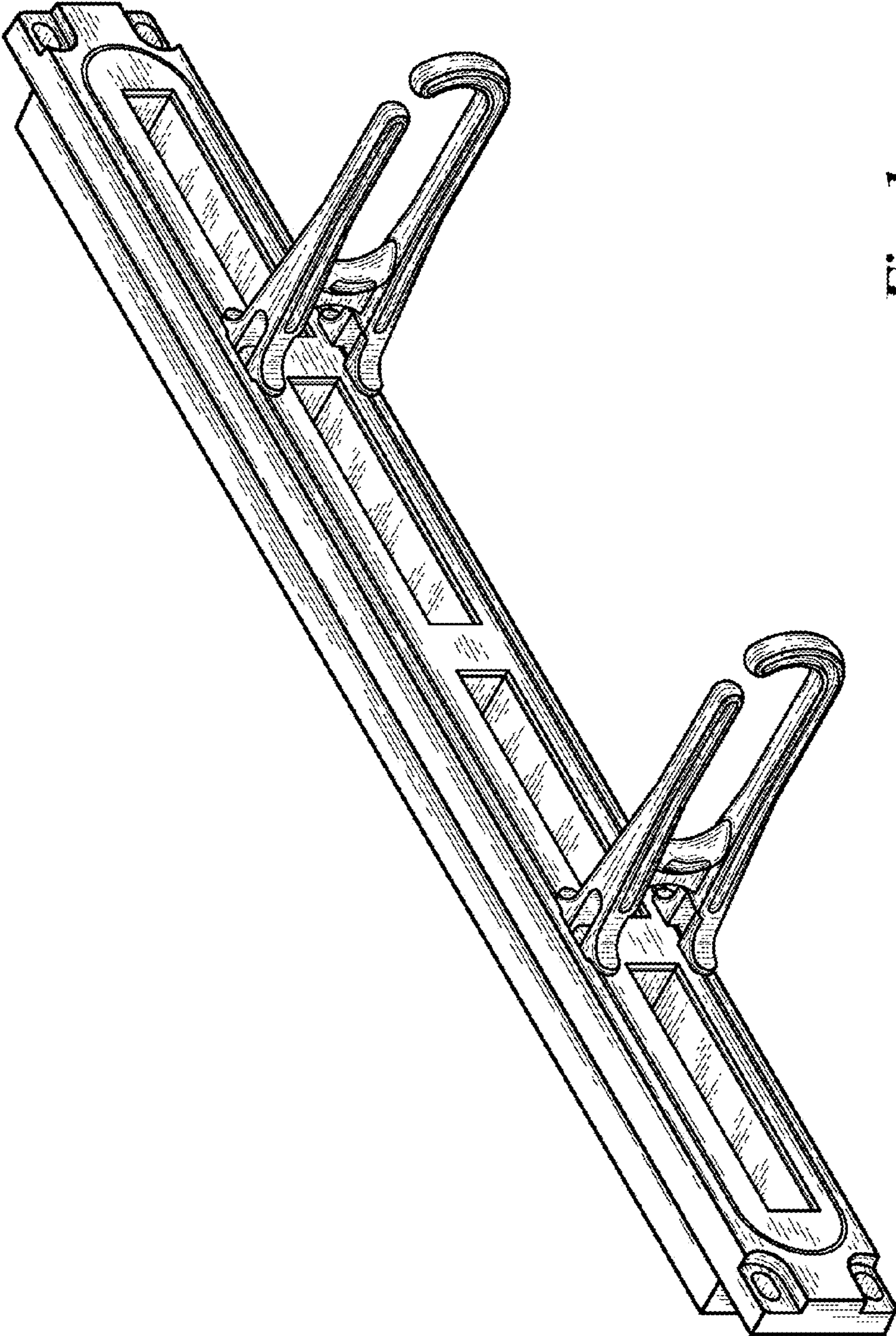
FIG. 5 is a left side elevational view thereof.

FIG. 6 is a top plan view thereof; and,

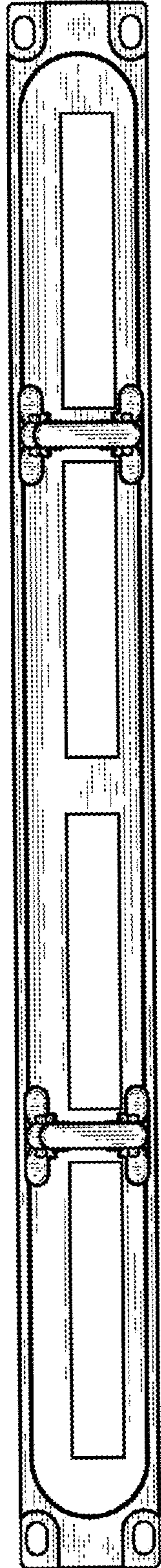
FIG. 7 is a bottom plan view thereof.

**1 Claim, 5 Drawing Sheets**

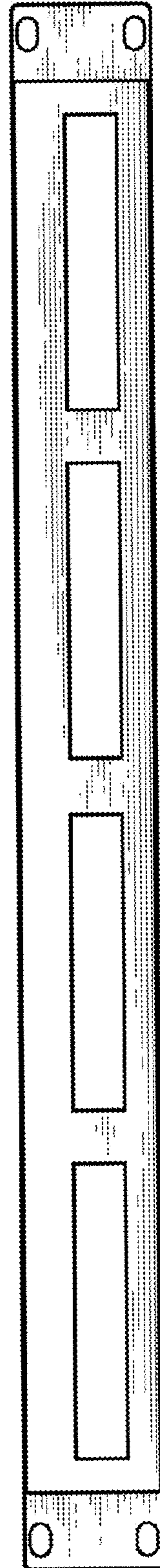




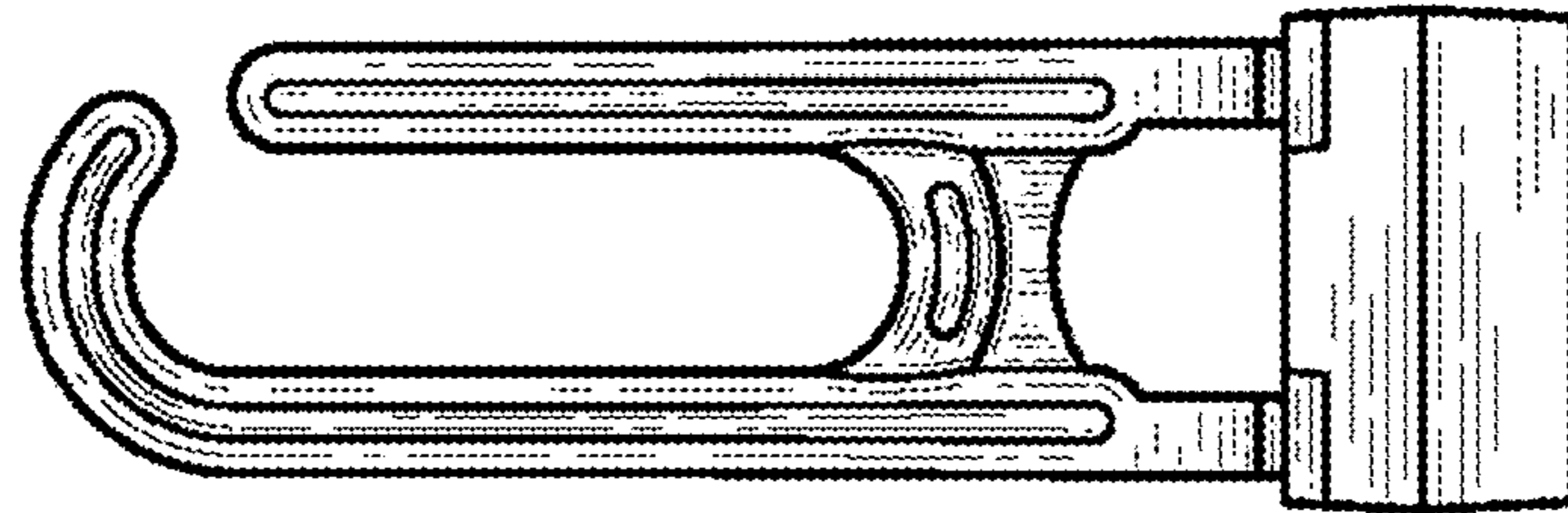
*Fig. 1*



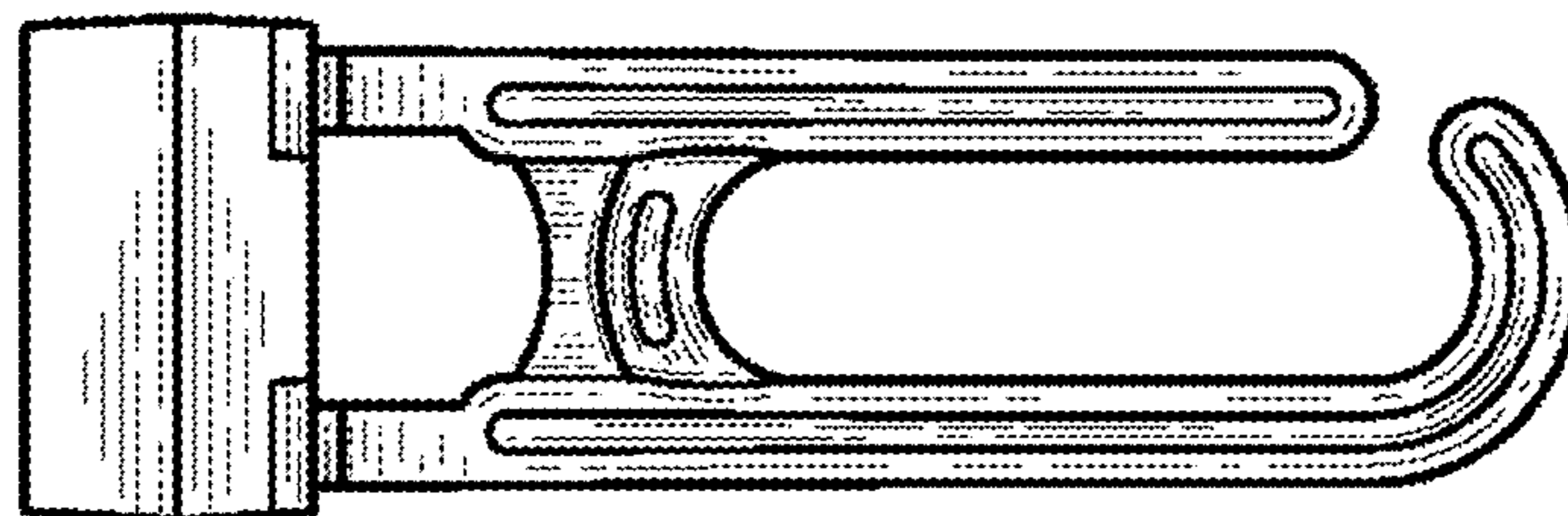
*Fig. 2*



*Fig. 3*



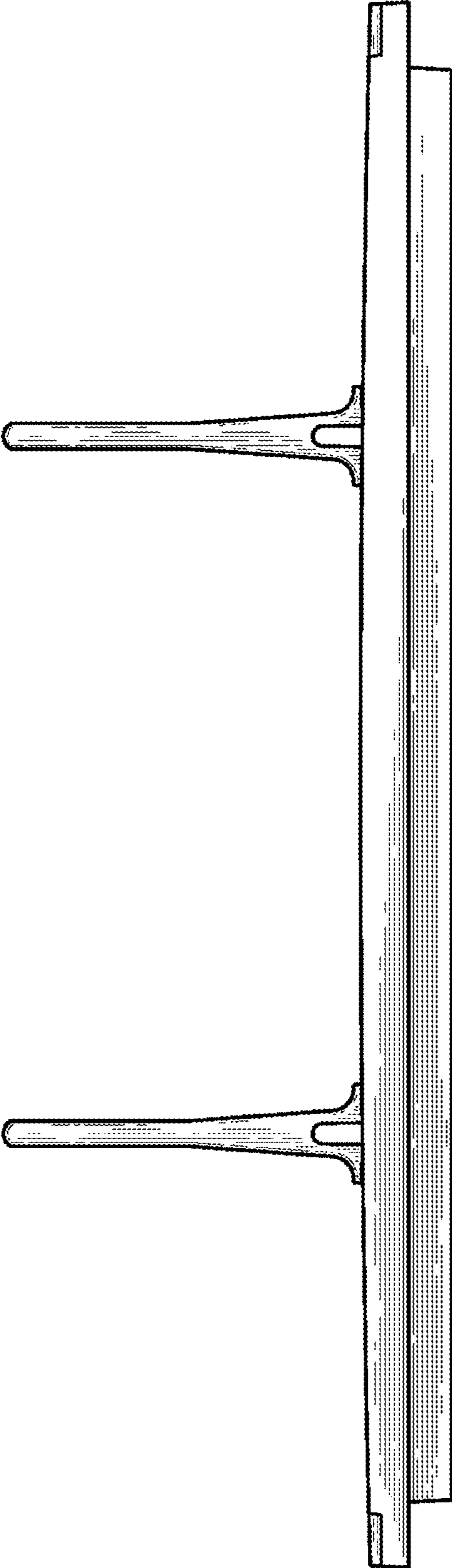
*Fig. 4*



*Fig. 5*



*Fig. 6*



*Fig. 7*