



US00D627739S

(12) **United States Design Patent**
Arai et al.

(10) **Patent No.:** **US D627,739 S**
(45) **Date of Patent:** **** Nov. 23, 2010**

(54) **ELECTRICAL CONNECTOR**

D617,736 S * 6/2010 Masumoto et al. D13/147

(75) Inventors: **Junichi Arai**, Isesaki (JP); **Takao Asano**, Isesaki (JP)

FOREIGN PATENT DOCUMENTS

JP D1284615 10/2006
JP D1356994 4/2009

(73) Assignee: **Hosiden Corporation**, Yao-shi, Osaka (JP)

* cited by examiner

(**) Term: **14 Years**

Primary Examiner—Daniel D Bui
(74) *Attorney, Agent, or Firm*—Rankin, Hill & Clark LLP

(21) Appl. No.: **29/361,006**

(57) **CLAIM**

(22) Filed: **May 4, 2010**

The ornamental design for an electrical connector, as shown and described.

(30) **Foreign Application Priority Data**

DESCRIPTION

Nov. 6, 2009 (JP) 2009-025955

(51) **LOC (9) Cl.** **13-03**

FIG. 1 is a front, top and right side perspective view of an electrical connector showing our new design;

(52) **U.S. Cl.** **D13/147**

FIG. 2 is a front, bottom and right side perspective view thereof;

(58) **Field of Classification Search** D13/147,
D13/154, 184; 439/108, 476.1, 483, 527,
439/533, 607.01, 607.04, 607.05, 607.17,
439/607.25, 607.34, 607.41, 607.53, 892,
439/894

FIG. 3 is a front elevation view thereof;

FIG. 4 is a rear elevation view thereof;

See application file for complete search history.

FIG. 5 is a left side elevation view, a right side elevation view being a mirror image thereof;

FIG. 6 is a top plan view thereof; and,

FIG. 7 is a bottom plan view thereof.

(56) **References Cited**

U.S. PATENT DOCUMENTS

D553,090 S * 10/2007 Lai et al. D13/147
D559,192 S * 1/2008 Arai et al. D13/147
D602,872 S * 10/2009 Arai et al. D13/147
D604,700 S * 11/2009 Asano D13/147
D613,252 S * 4/2010 Nagata et al. D13/147

The broken line portion of the figure drawings is included to show unclaimed subject matter only and forms no part of the claimed design.

1 Claim, 4 Drawing Sheets

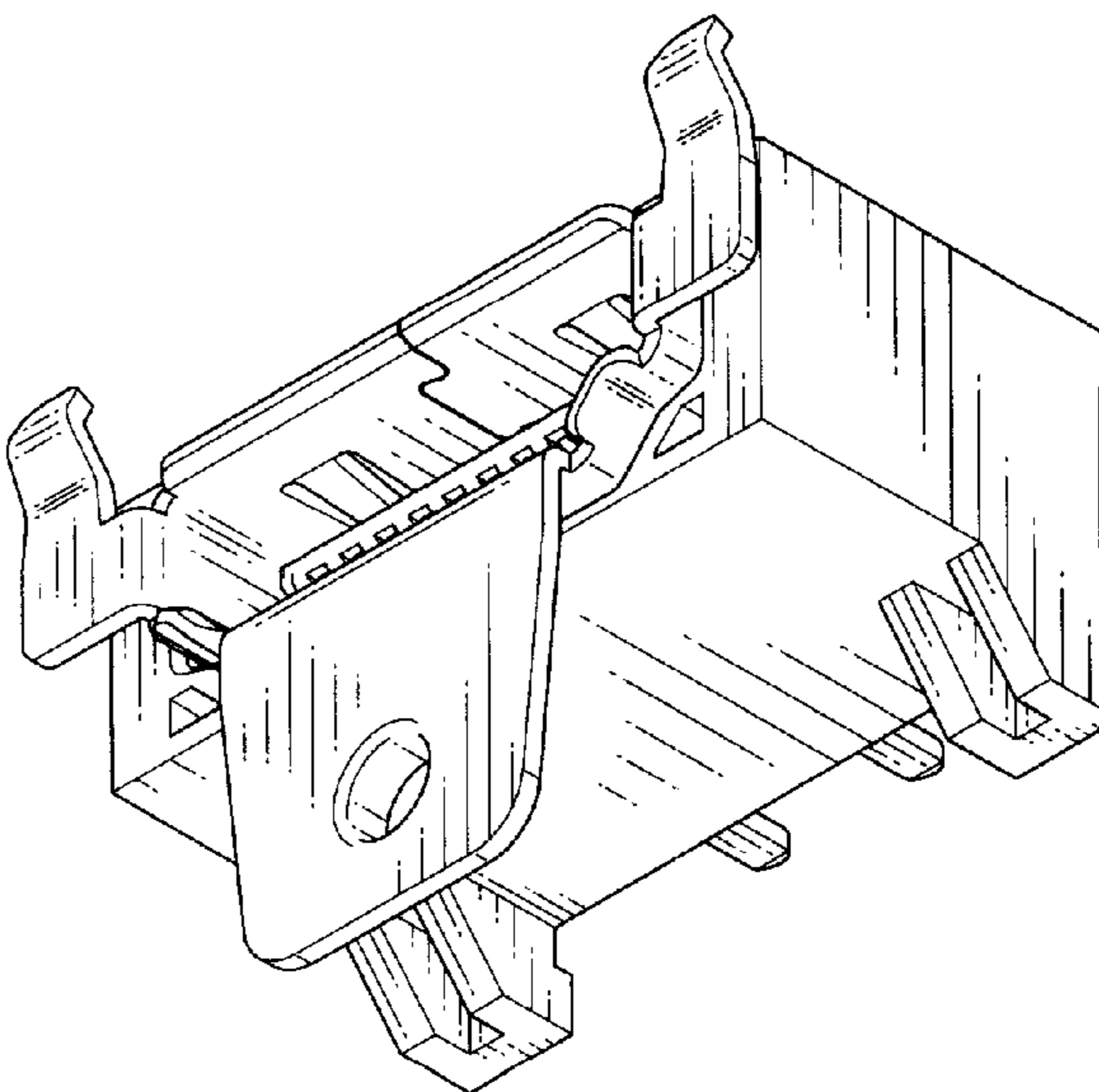
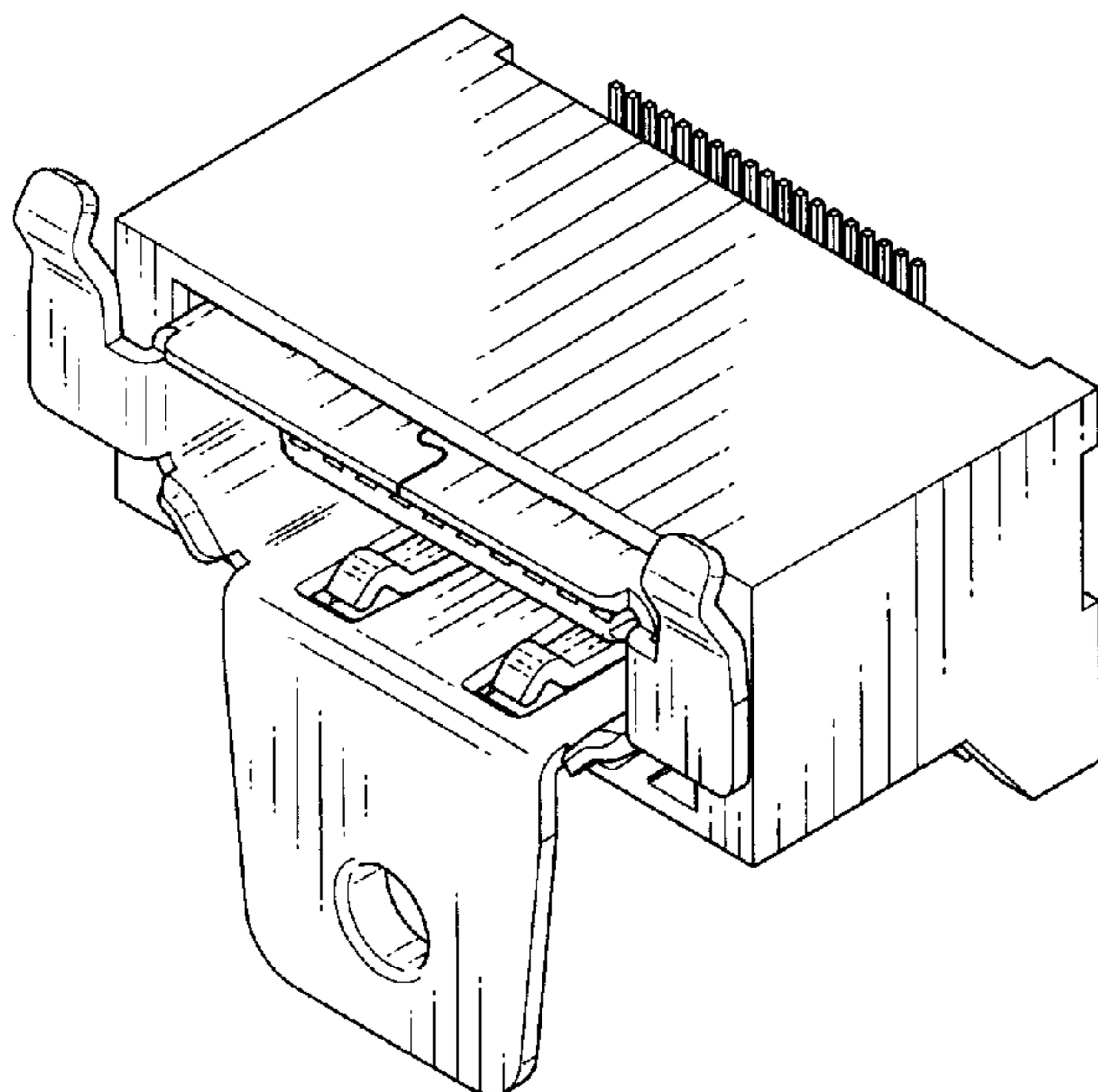


Fig. 1

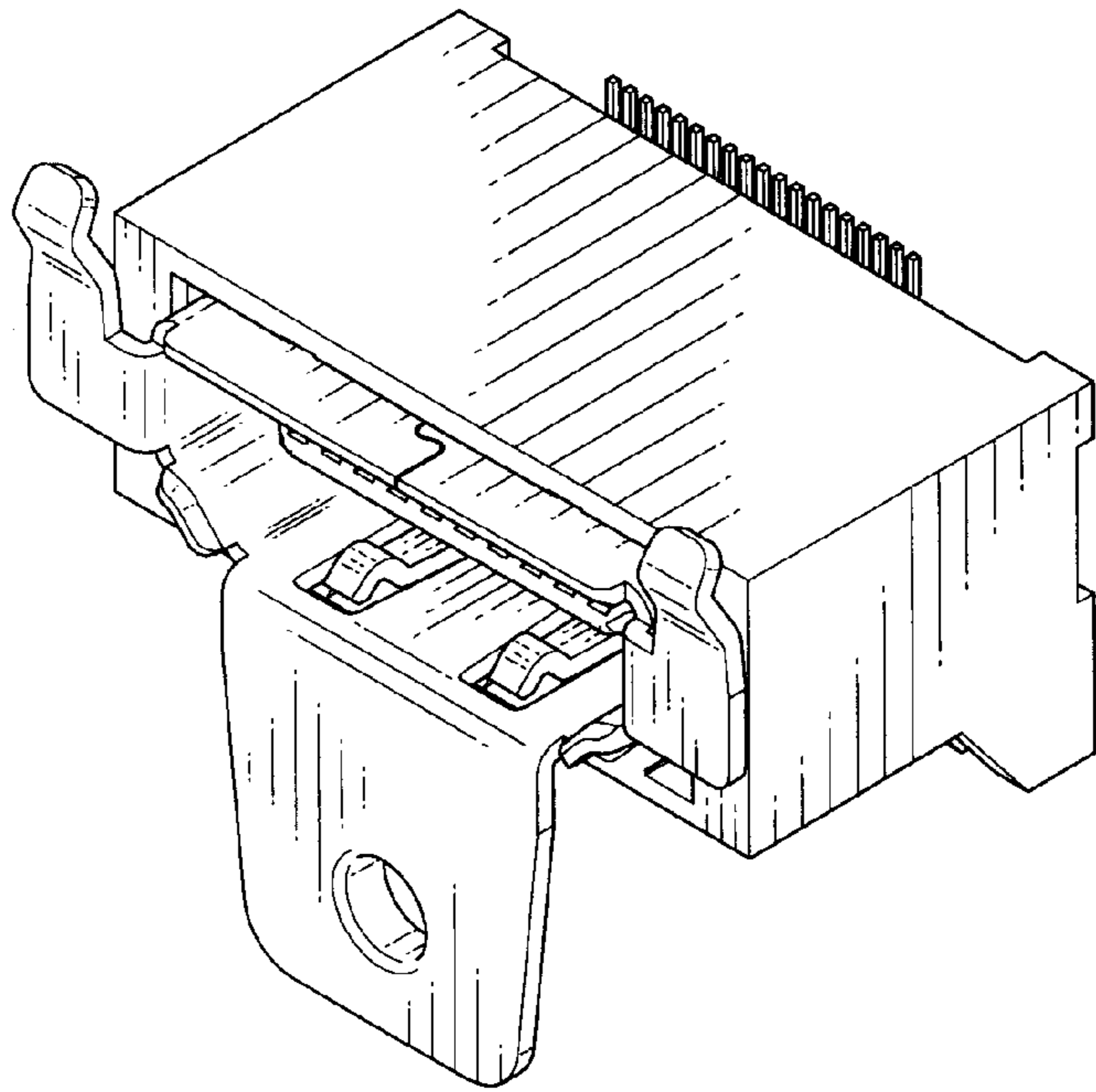


Fig. 2

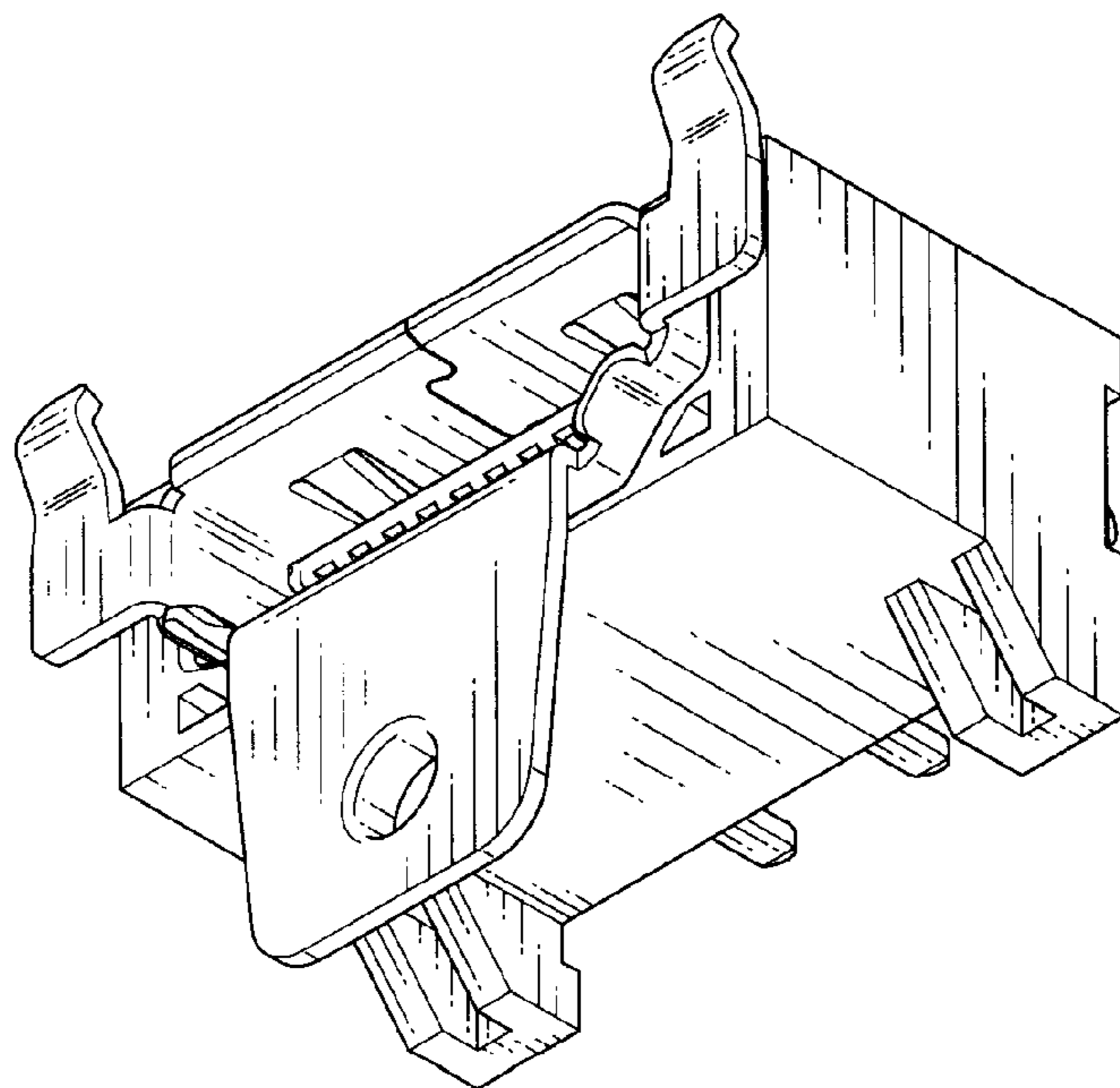


Fig. 3

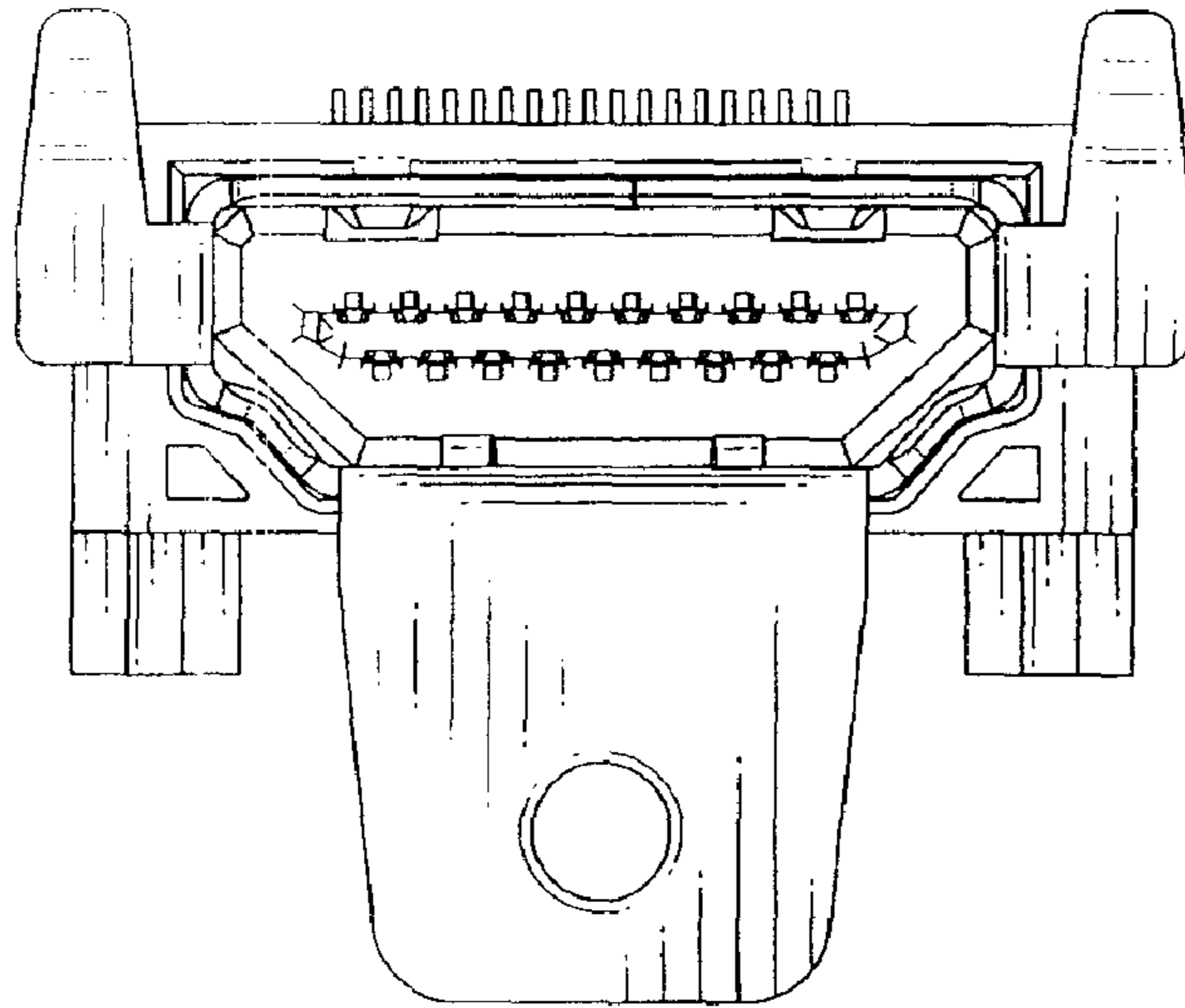


Fig. 4

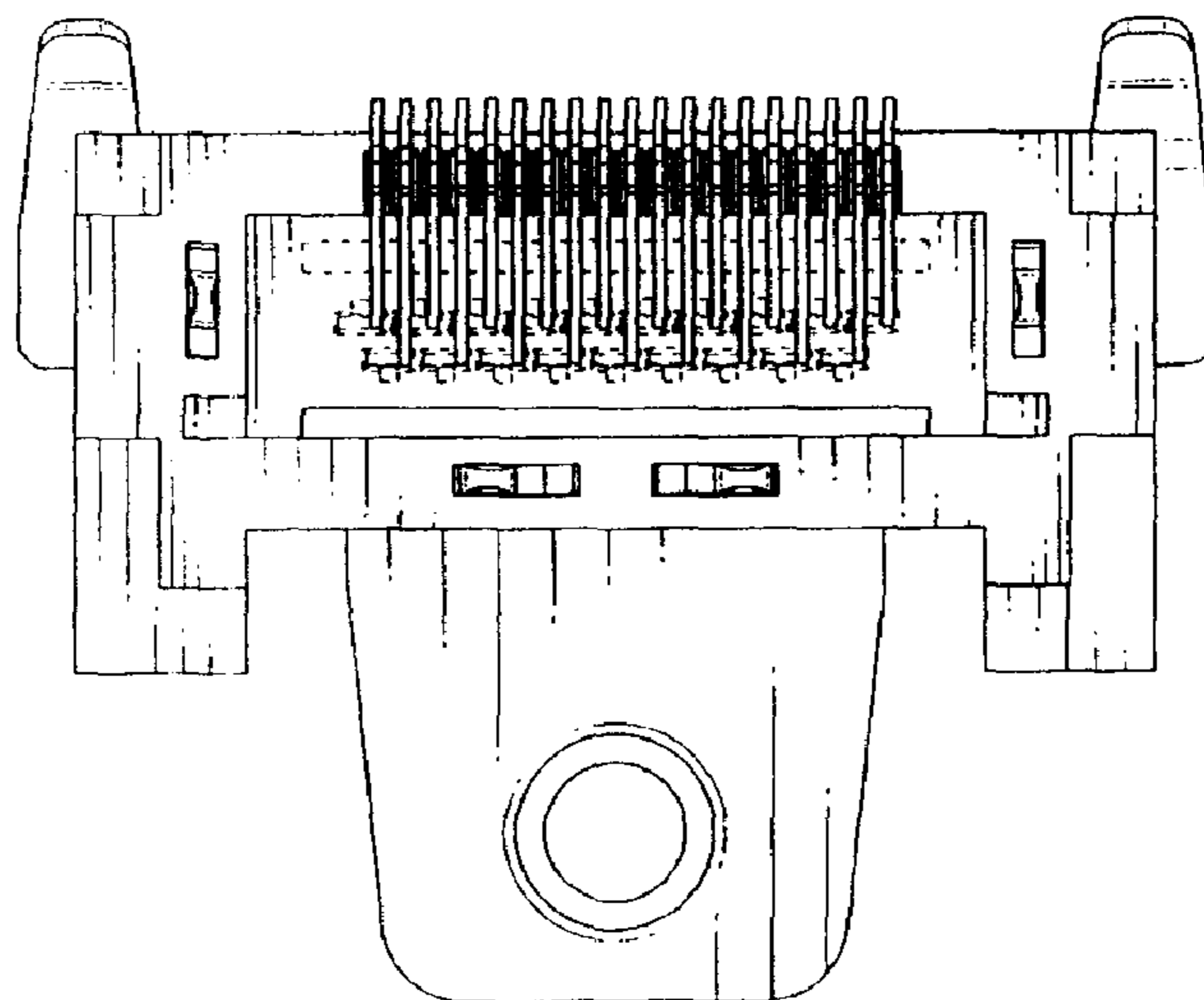


Fig. 5

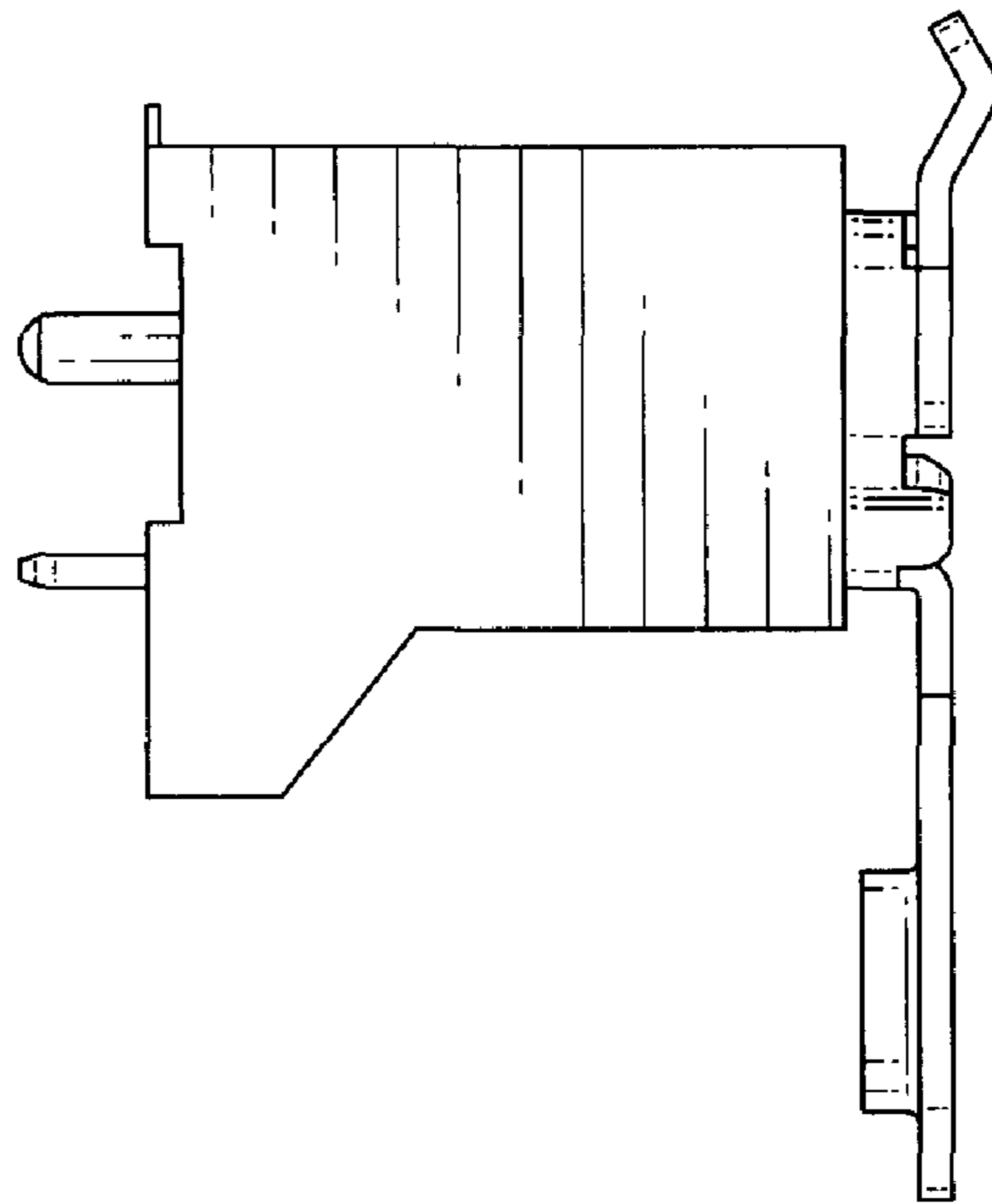


Fig. 6

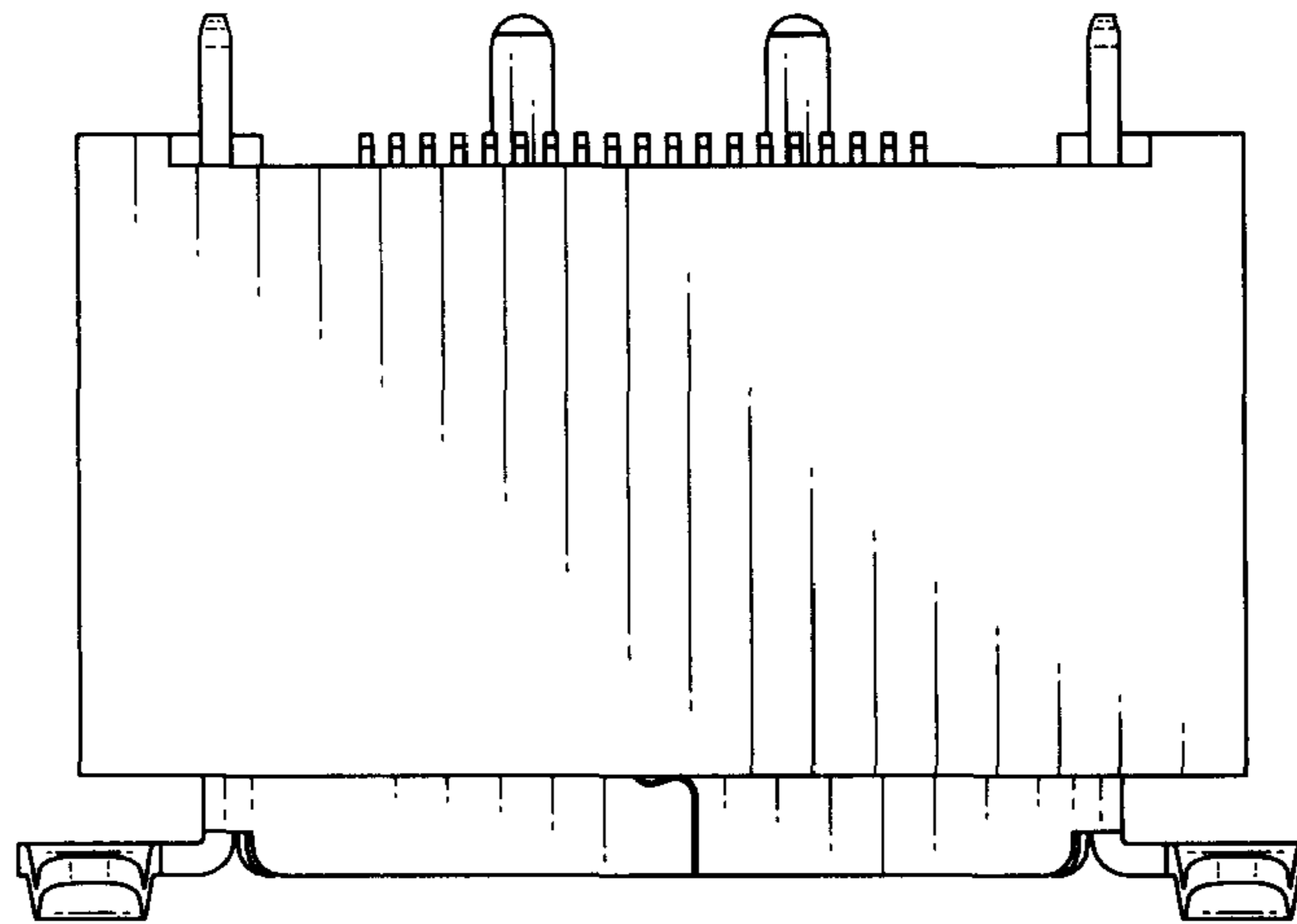


Fig. 7

