



US00D627735S

(12) **United States Design Patent**
Lu et al.

(10) **Patent No.:** **US D627,735 S**
(45) **Date of Patent:** **** Nov. 23, 2010**

(54) **CARD CONNECTOR**

(75) Inventors: **Shi-Xiang Lu**, Guang-Dong (CN); **Feng Zhu**, Guang-Dong (CN); **Kuo-Chin Lin**, Tu-Cheng (TW)

(73) Assignee: **Cheng UEI Precision Industry Co., Ltd.**, Tu-Cheng, Taipei Hsien (TW)

(**) Term: **14 Years**

(21) Appl. No.: **29/351,527**

(22) Filed: **Dec. 7, 2009**

(51) **LOC (9) Cl.** **13-03**

(52) **U.S. Cl.** **D13/147**

(58) **Field of Classification Search** D13/120,
D13/133, 146-147, 154, 156, 184; 439/108,
439/354, 357, 358, 567, 607.01, 607.04,
439/607.05, 607.17, 607.25, 607.34, 607.41,
439/607.53, 676, 680

See application file for complete search history.

(56) **References Cited**

U.S. PATENT DOCUMENTS

D583,767 S * 12/2008 Chiang D13/147

D592,148 S * 5/2009 Ho D13/147

2010/0033937 A1* 2/2010 Kiryu et al. 361/737

* cited by examiner

Primary Examiner—Daniel D Bui

(74) *Attorney, Agent, or Firm*—Cheng-Ju Chiang

(57) **CLAIM**

The ornamental design for a card connector, as shown and described.

DESCRIPTION

FIG. 1 is a perspective view of a card connector showing our new design;

FIG. 2 is a front elevational view thereof;

FIG. 3 is a rear elevational view thereof;

FIG. 4 is a left side elevational view thereof;

FIG. 5 is a right side elevational view thereof;

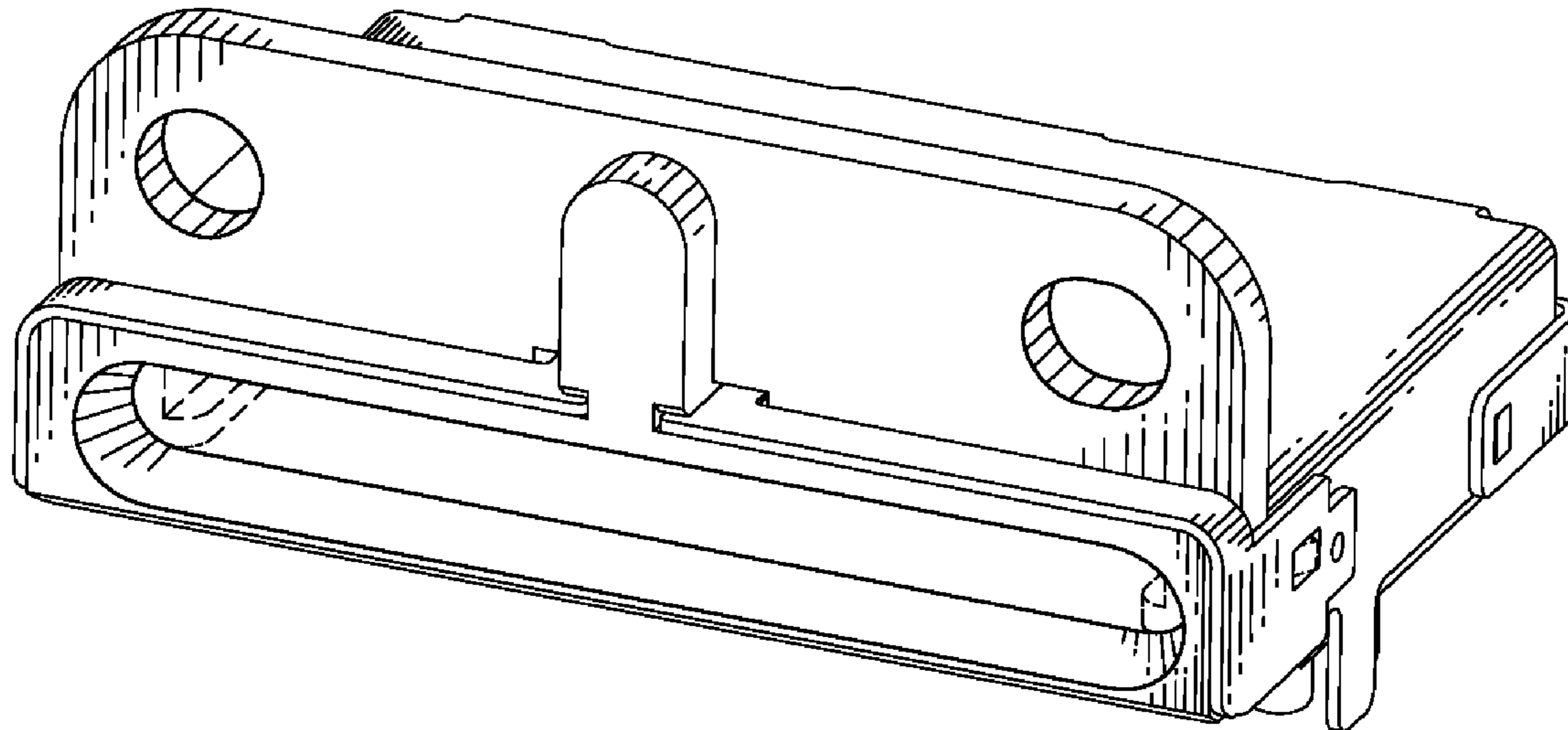
FIG. 6 is a top plan view thereof;

FIG. 7 is a bottom plan view thereof; and,

FIG. 8 is another perspective view of a card connector showing our new design.

The broken line shown in the drawings is included for the purpose of illustrating environmental structure and forms no part of the claimed design.

1 Claim, 8 Drawing Sheets



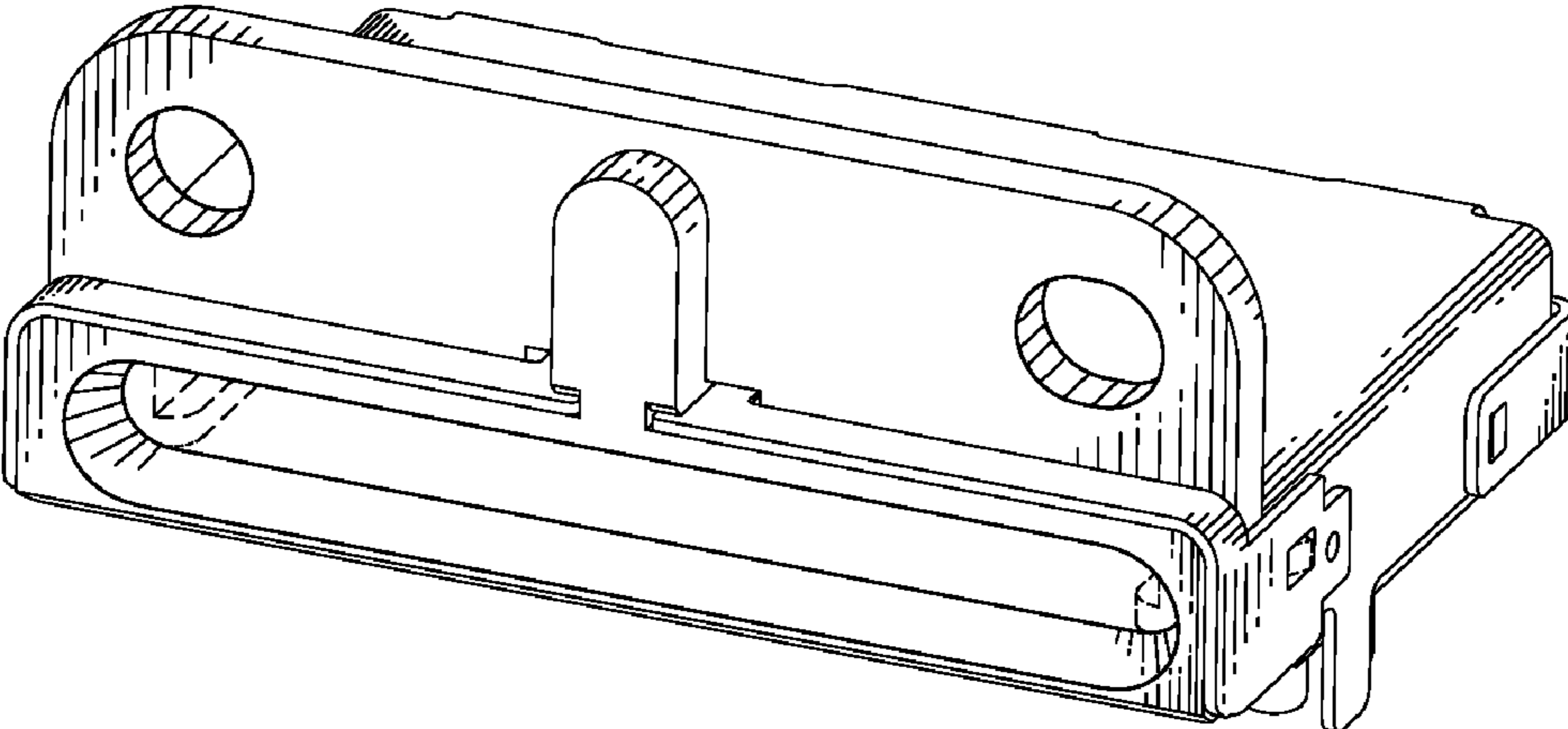


FIG. 1

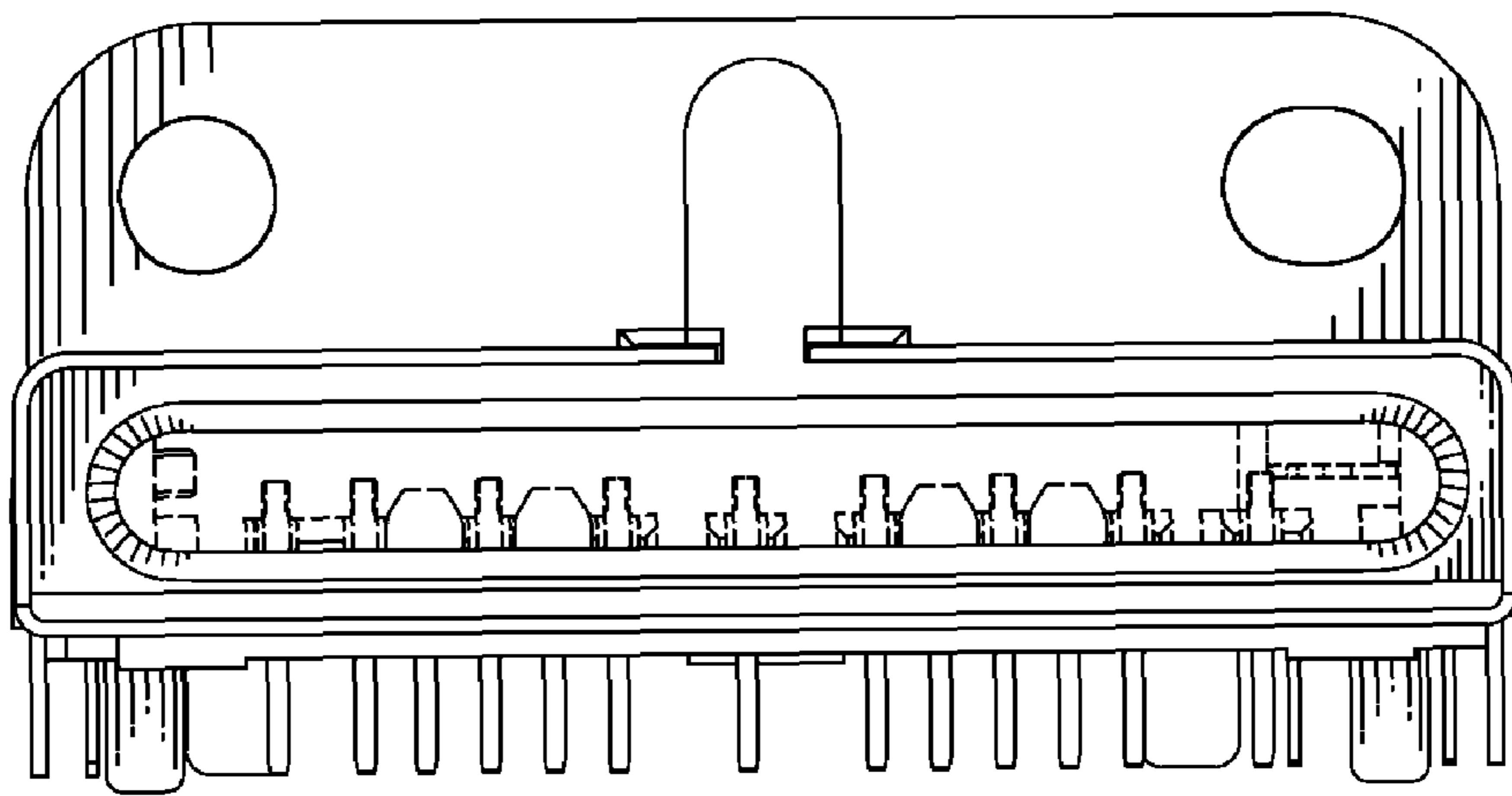


FIG. 2

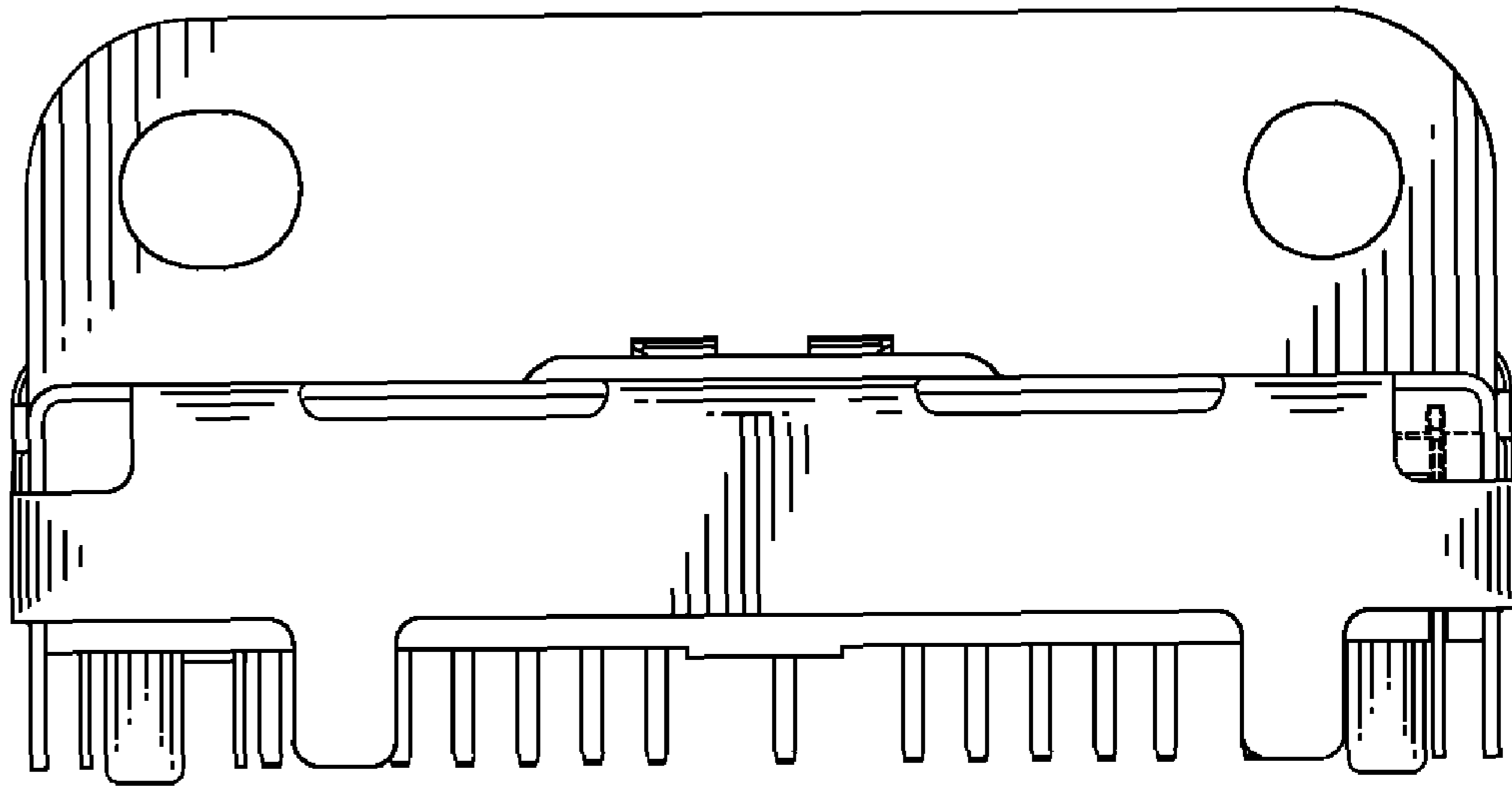


FIG. 3

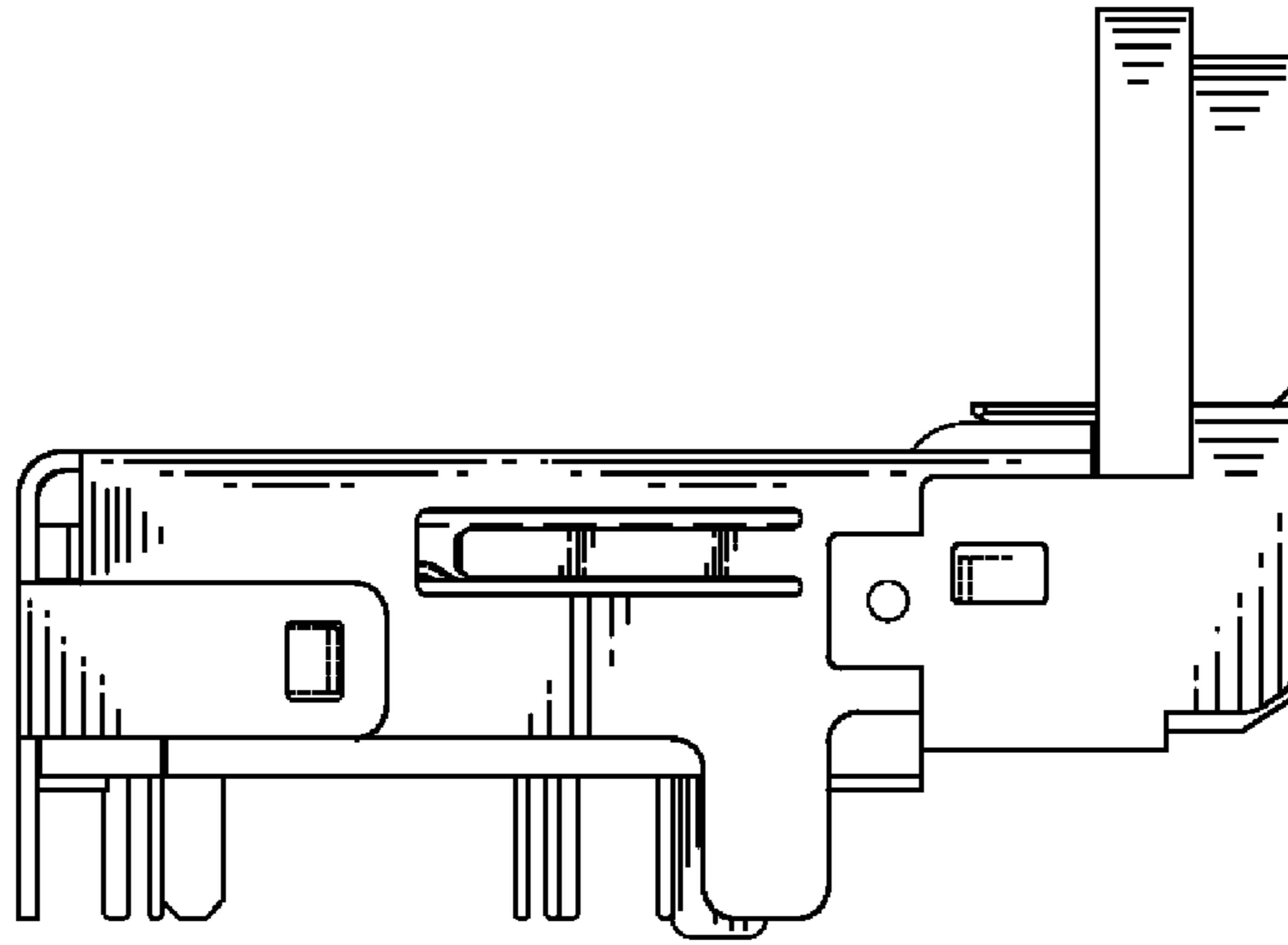


FIG. 4

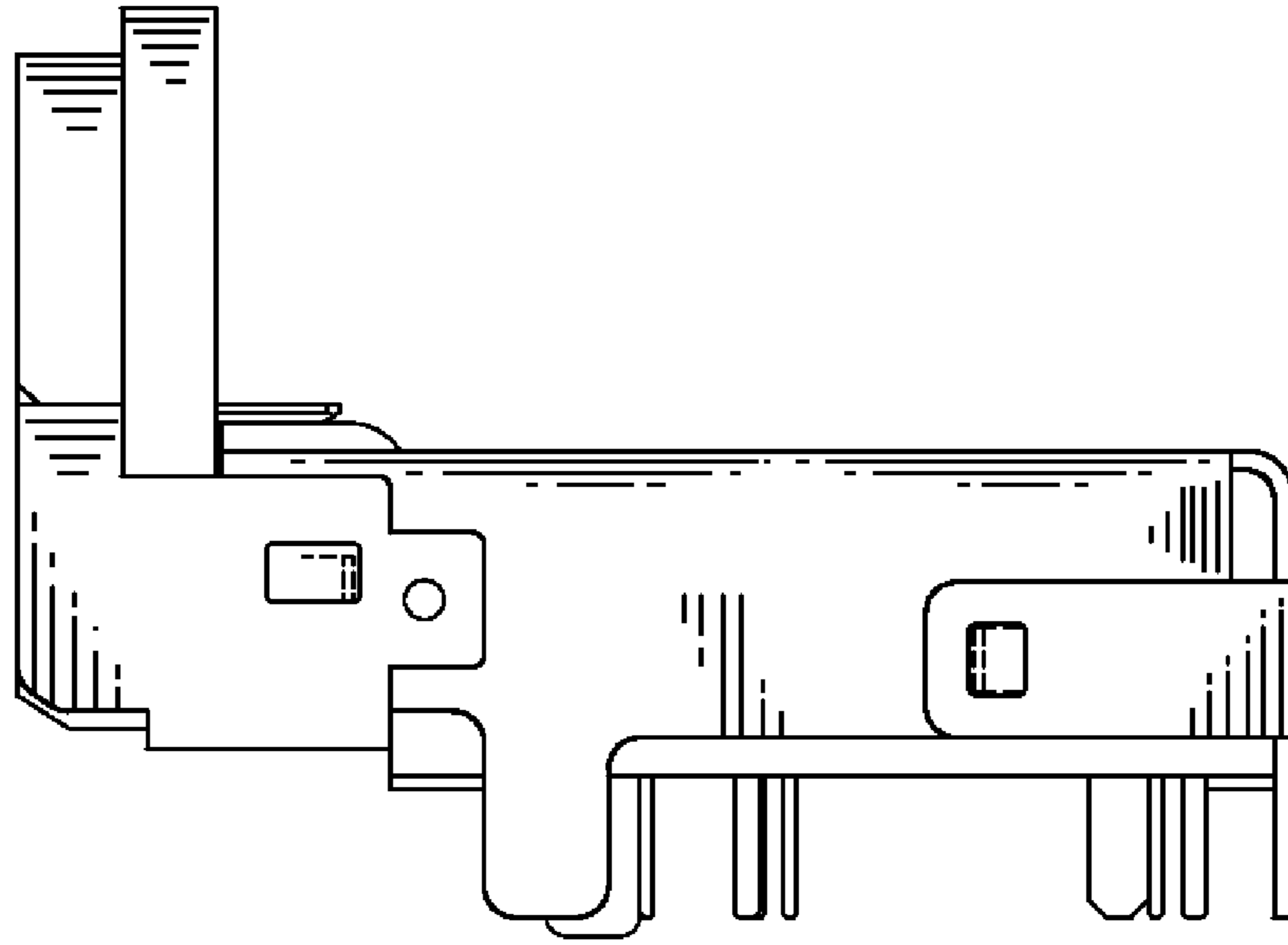


FIG. 5

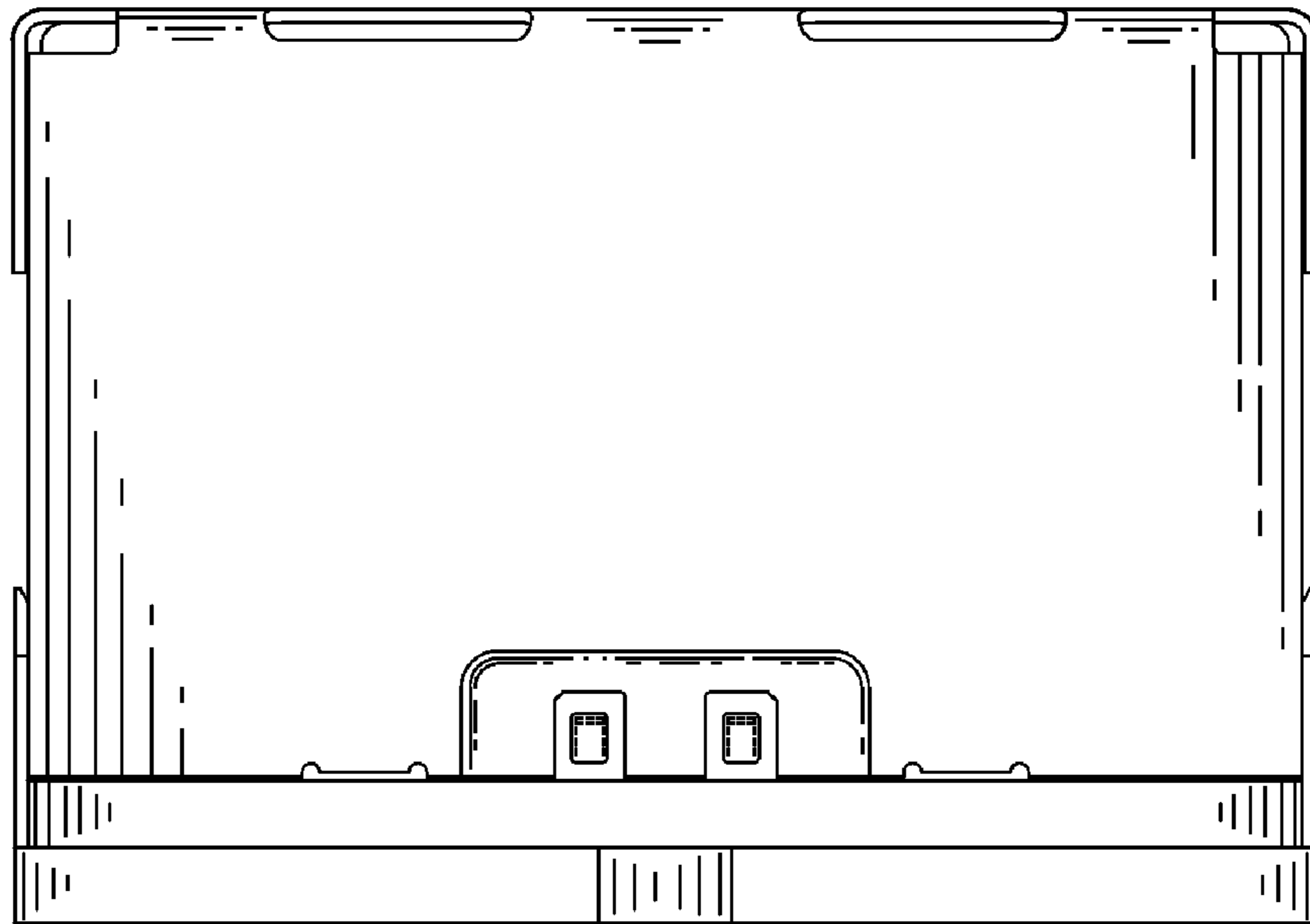


FIG. 6

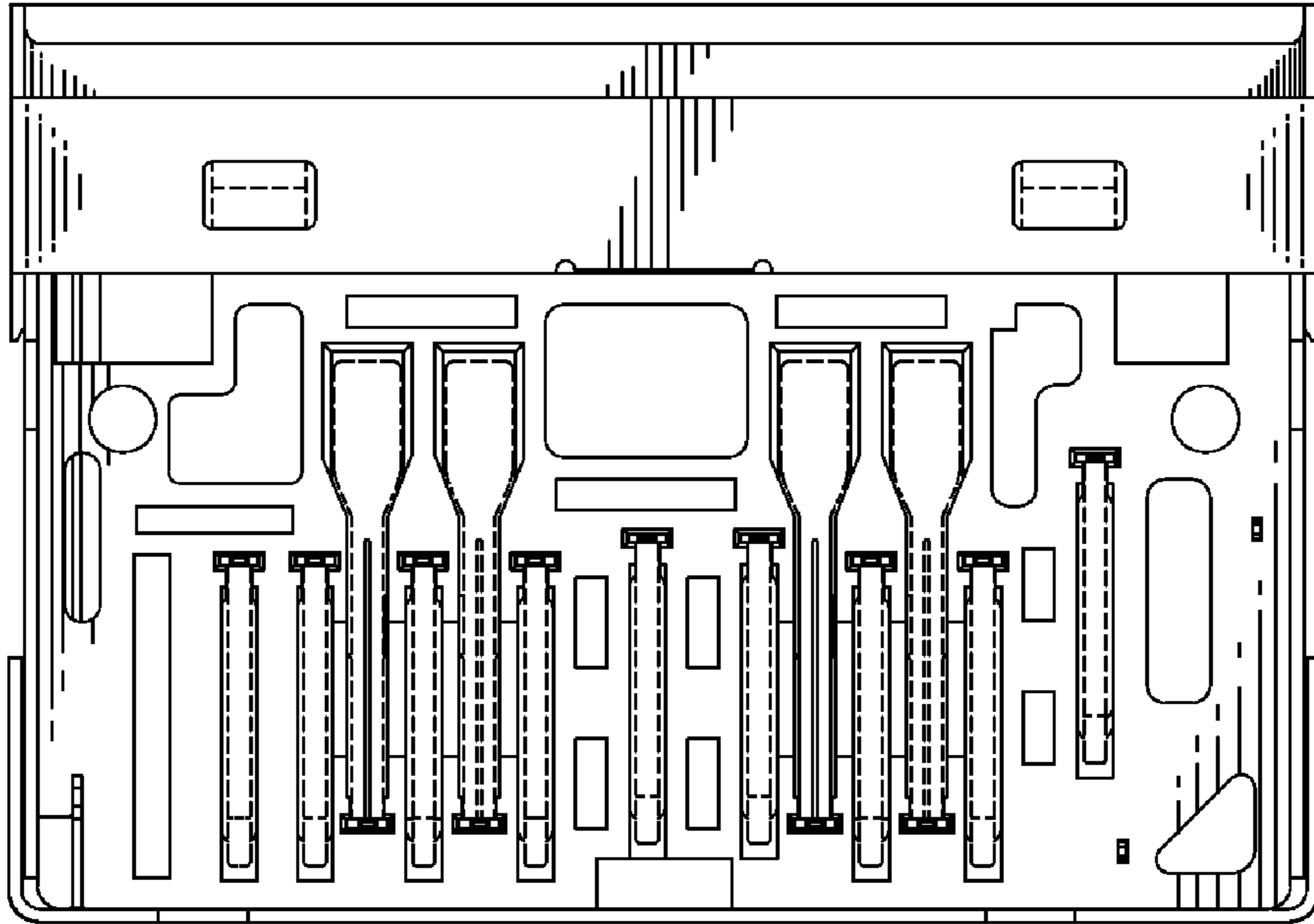


FIG. 7

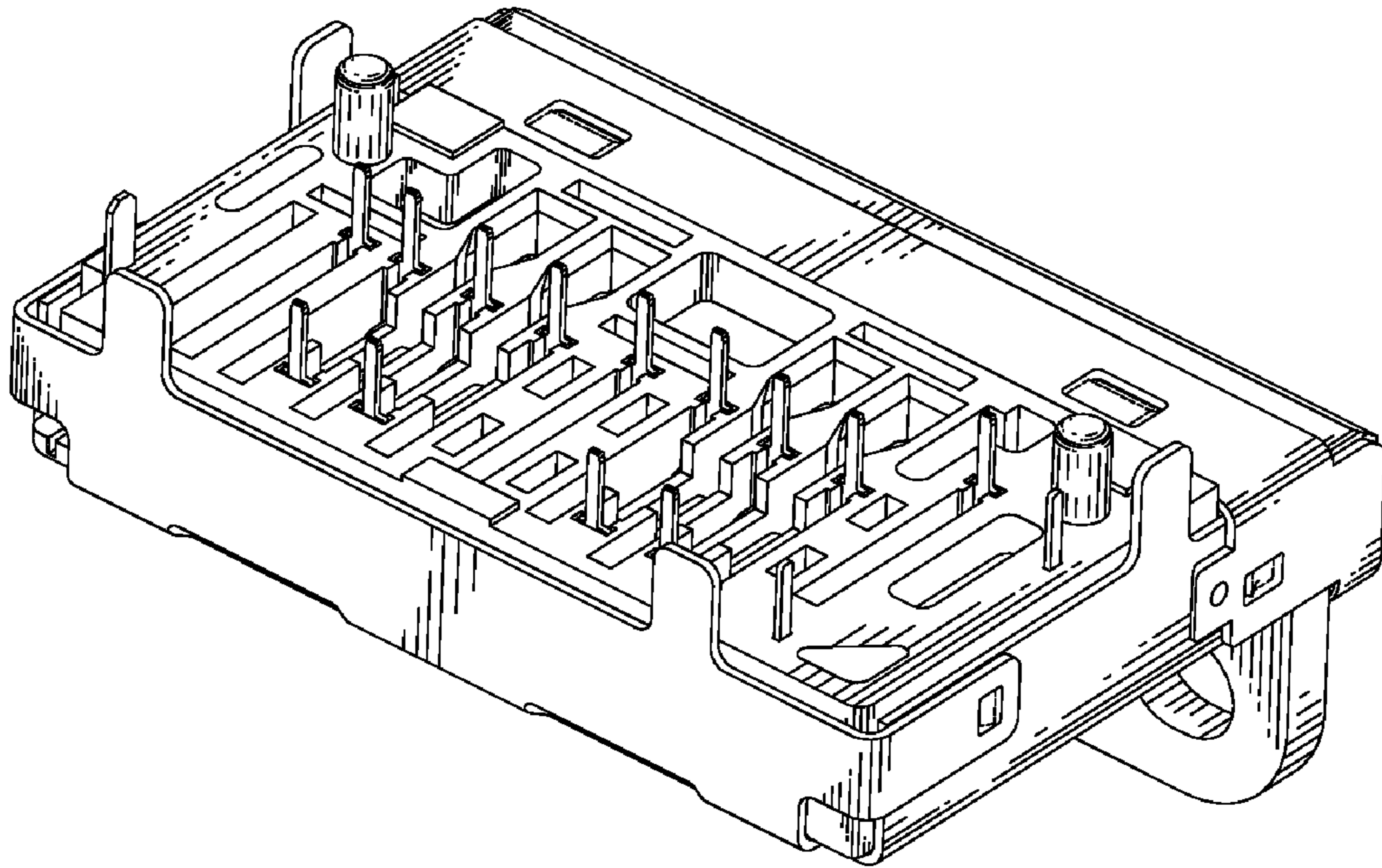


FIG. 8