



US00D627734S

(12) **United States Design Patent**  
**Sun et al.**

(10) **Patent No.:** **US D627,734 S**  
(45) **Date of Patent:** **\*\* Nov. 23, 2010**

(54) **RECEPTACLE CONNECTOR ASSEMBLY**

(75) Inventors: **Dao-Rui Sun**, Tu-Cheng (TW); **Feng Zhu**, Tu-Cheng (TW); **Kuo-Chin Lin**, Tu-Cheng (TW)

(73) Assignee: **Cheng UEI Precision Industry Co., Ltd.**, Tu-Cheng, Taipei Hsien (TW)

(\*\*) Term: **14 Years**

(21) Appl. No.: **29/342,367**

(22) Filed: **Aug. 24, 2009**

(51) **LOC (9) Cl.** ..... **13-03**

(52) **U.S. Cl.** ..... **D13/147**

(58) **Field of Classification Search** ..... D13/133,  
D13/147, 154, 156, 184; 439/79, 108, 278,  
439/374, 377, 607.01, 607.04, 607.05, 607.17,  
439/607.25, 607.34, 607.41, 607.53, 660,  
439/680, 682, 883, 891, 894

See application file for complete search history.

(56) **References Cited**

**U.S. PATENT DOCUMENTS**

D267,795 S \* 2/1983 Mallon ..... D13/119  
D539,222 S \* 3/2007 Nishio et al. .... D13/147  
7,632,154 B1 \* 12/2009 Su et al. .... 439/660

D617,738 S \* 6/2010 Chen et al. .... D13/147

\* cited by examiner

*Primary Examiner*—Daniel D Bui  
(74) *Attorney, Agent, or Firm*—Cheng-Ju Chiang

(57) **CLAIM**

The ornamental design for a receptacle connector assembly, as shown and described.

**DESCRIPTION**

FIG. 1 is a perspective view of a receptacle connector assembly showing our new design;

FIG. 2 is a front elevational view thereof;

FIG. 3 is a rear elevational view thereof;

FIG. 4 is a left side elevational view thereof;

FIG. 5 is a right side elevational view thereof;

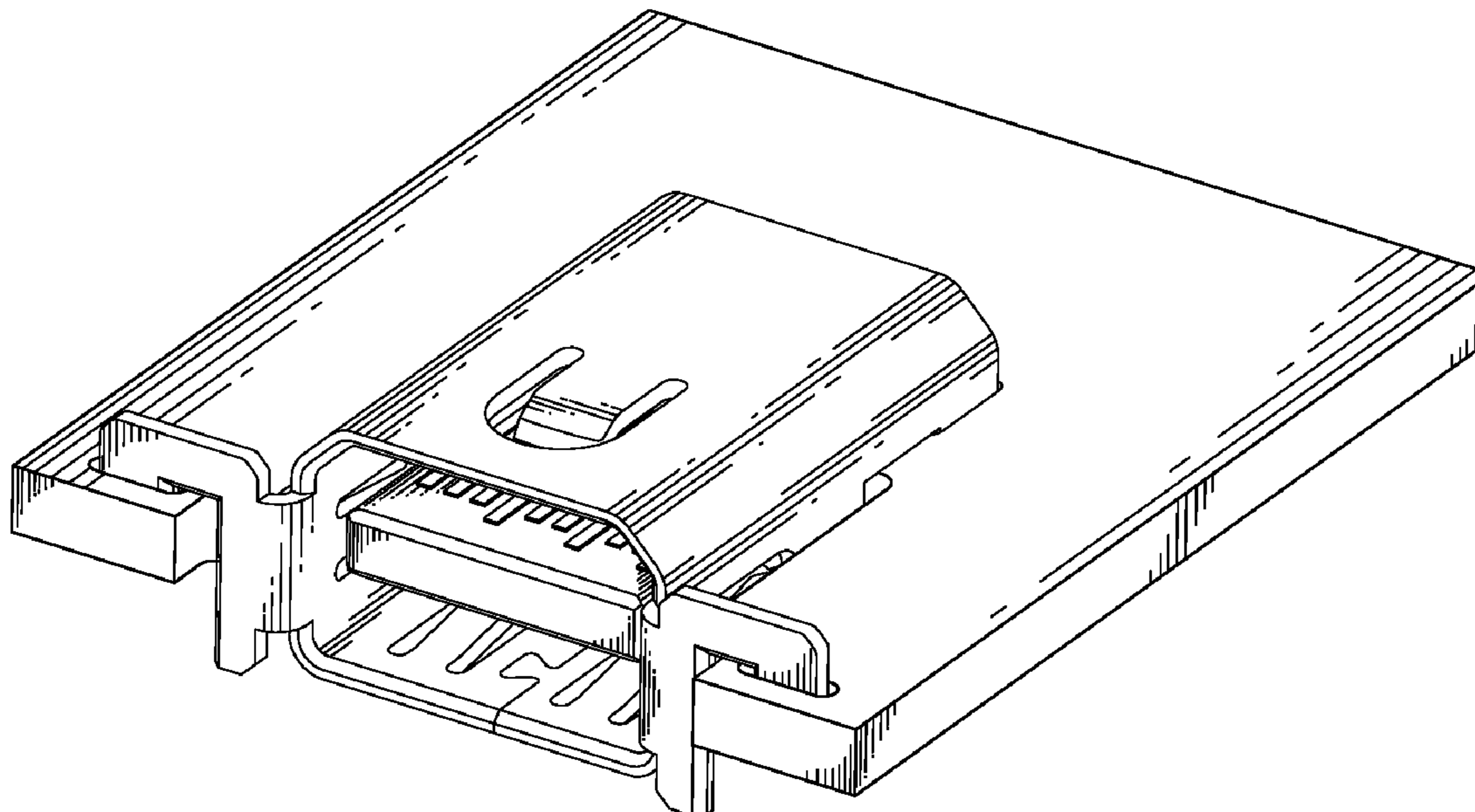
FIG. 6 is a top plan view thereof;

FIG. 7 is a bottom plan view thereof; and,

FIG. 8 is another perspective view of a receptacle connector assembly showing my new design.

The broken line shown in the drawings is included for the purpose of illustrating environmental structure and forms no part of the claimed design.

**1 Claim, 8 Drawing Sheets**



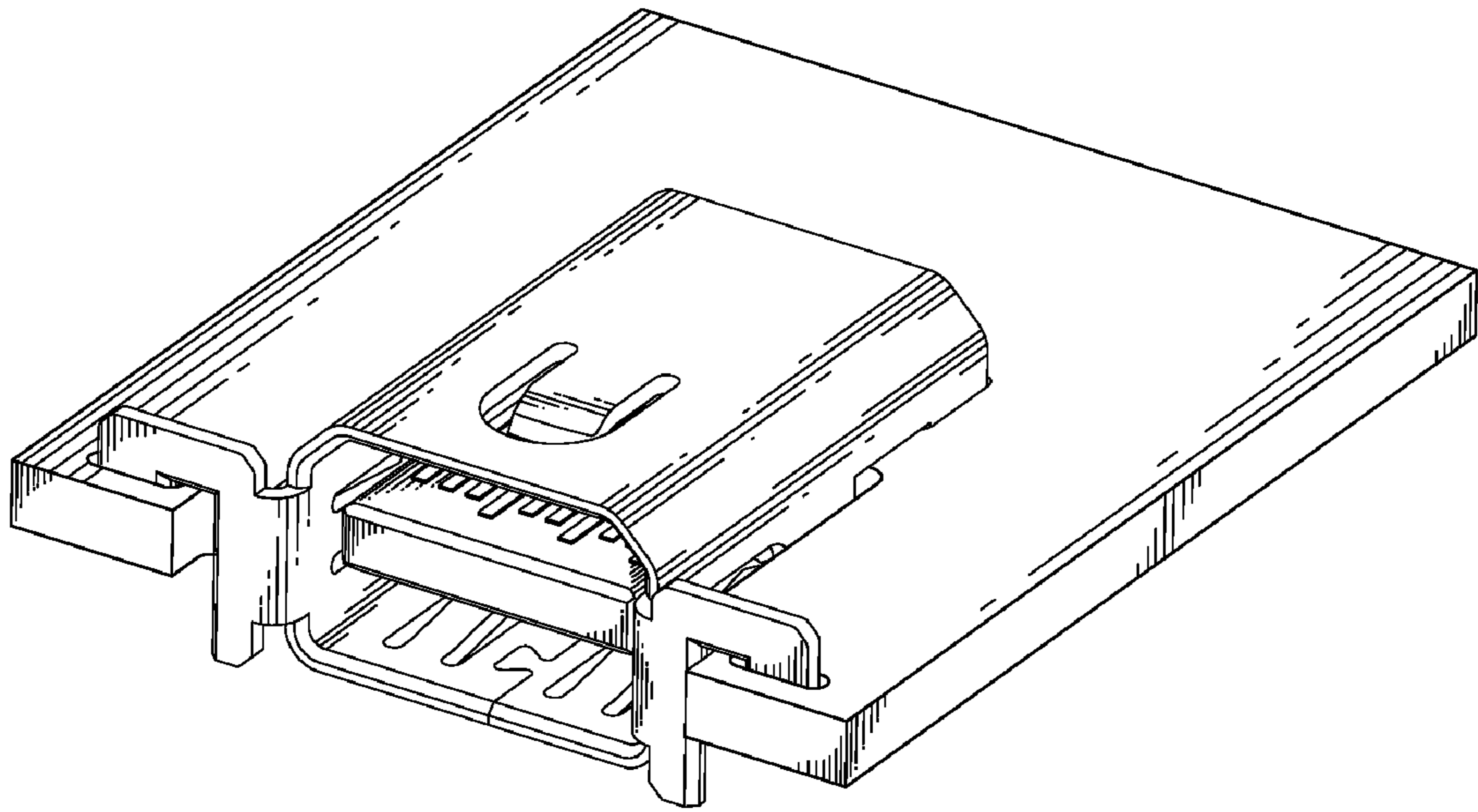


FIG. 1

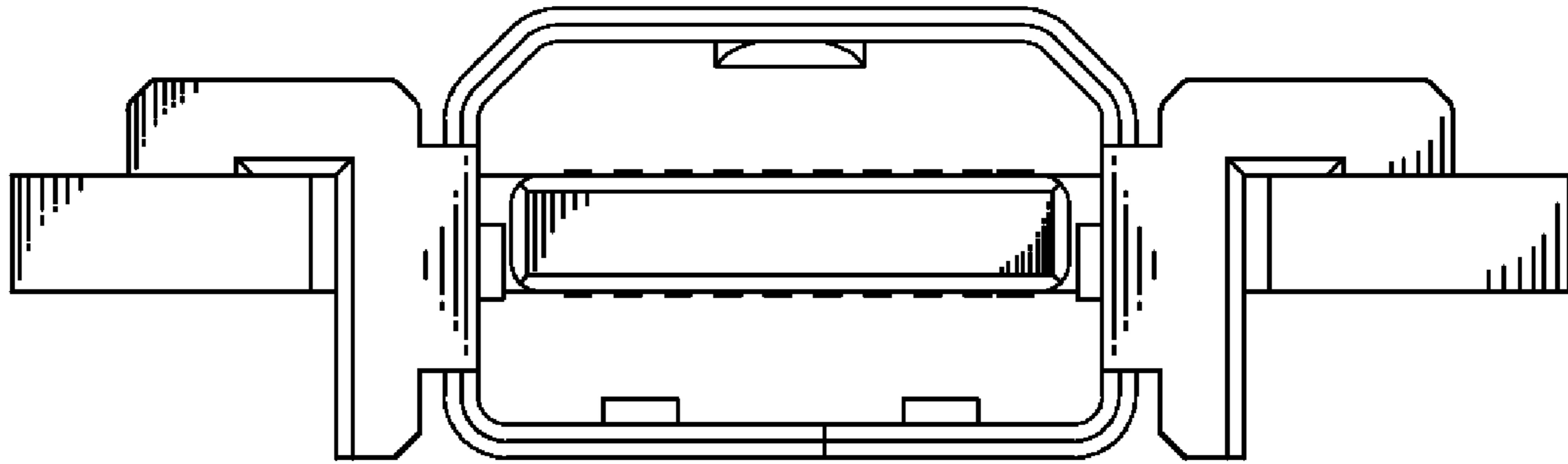


FIG. 2

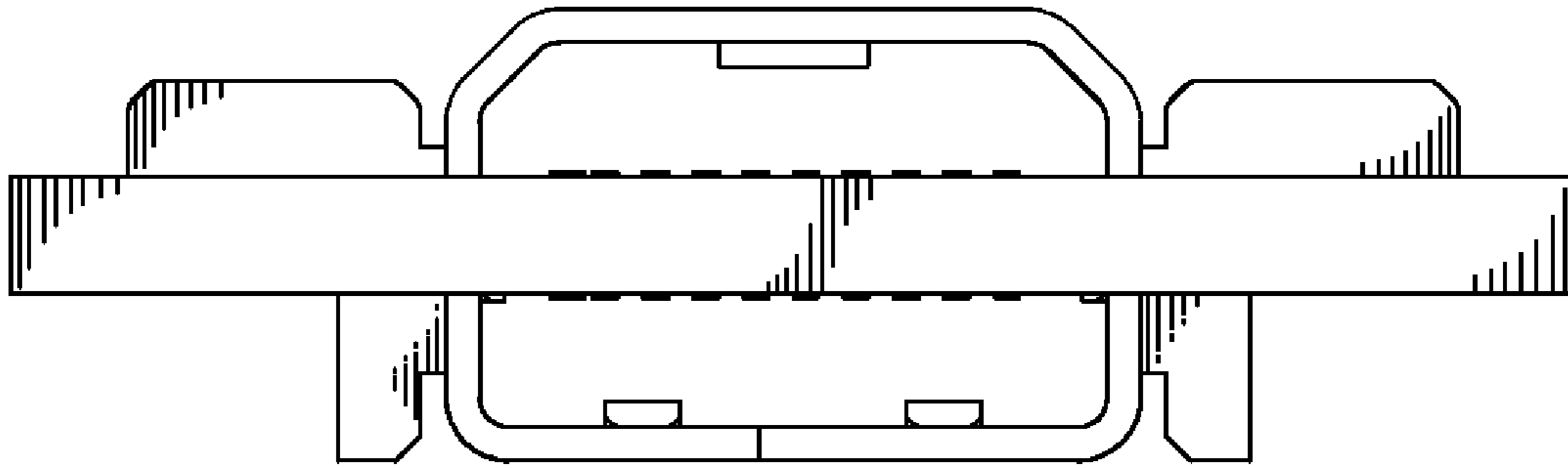


FIG. 3

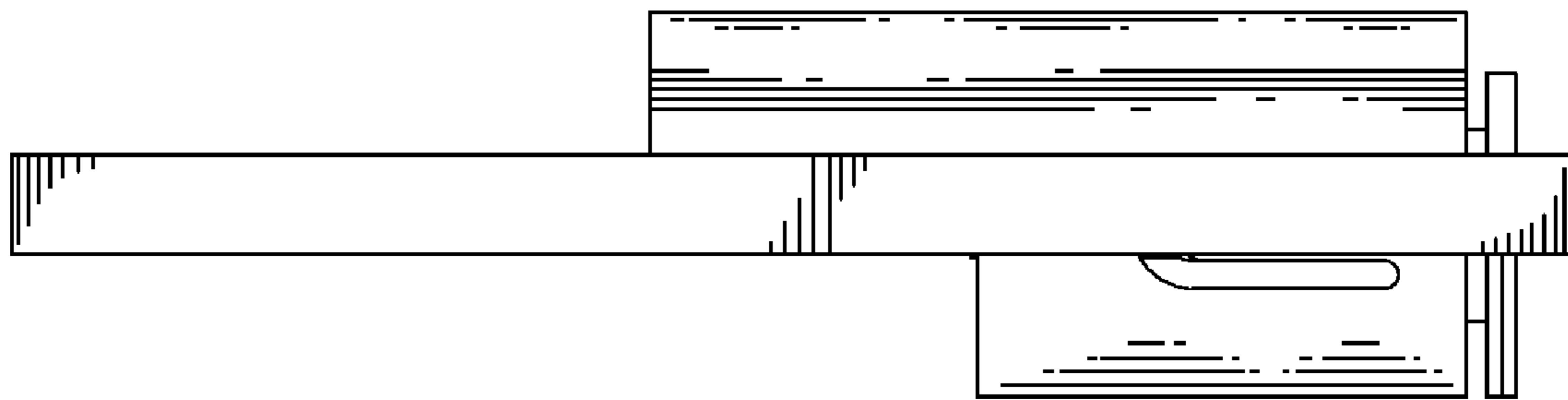


FIG. 4

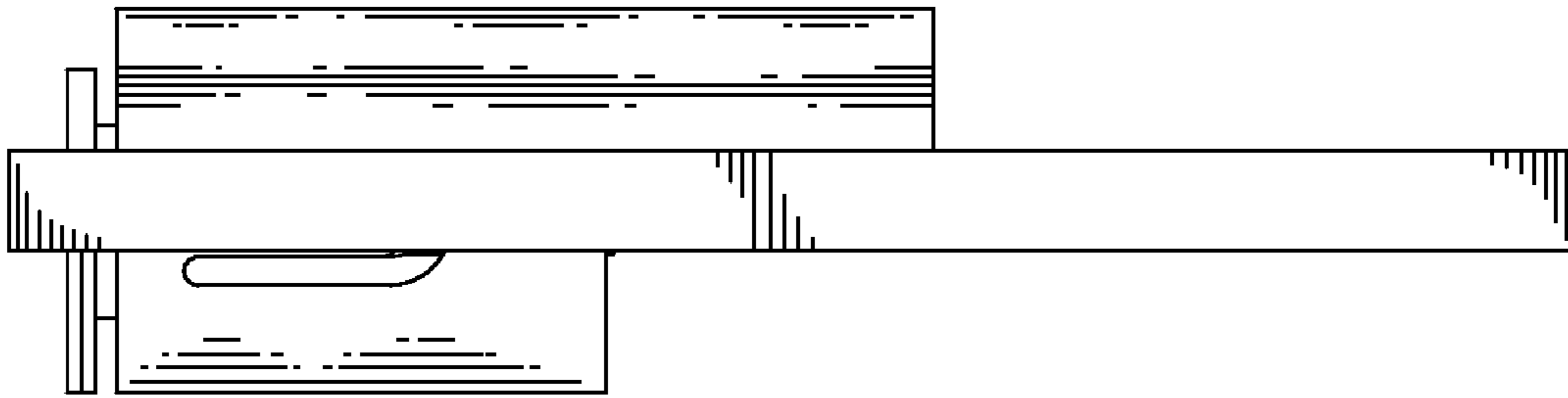


FIG. 5

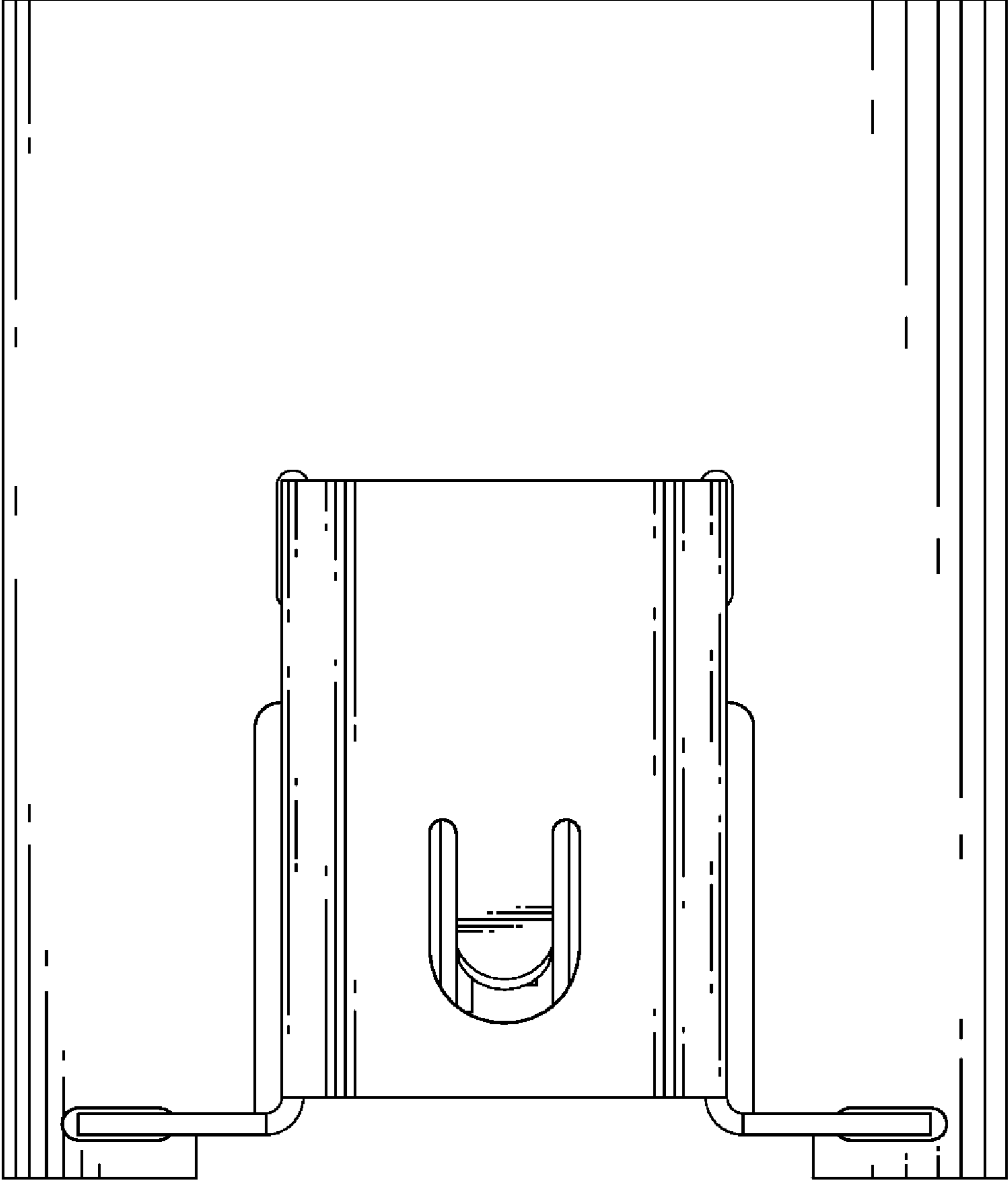


FIG. 6

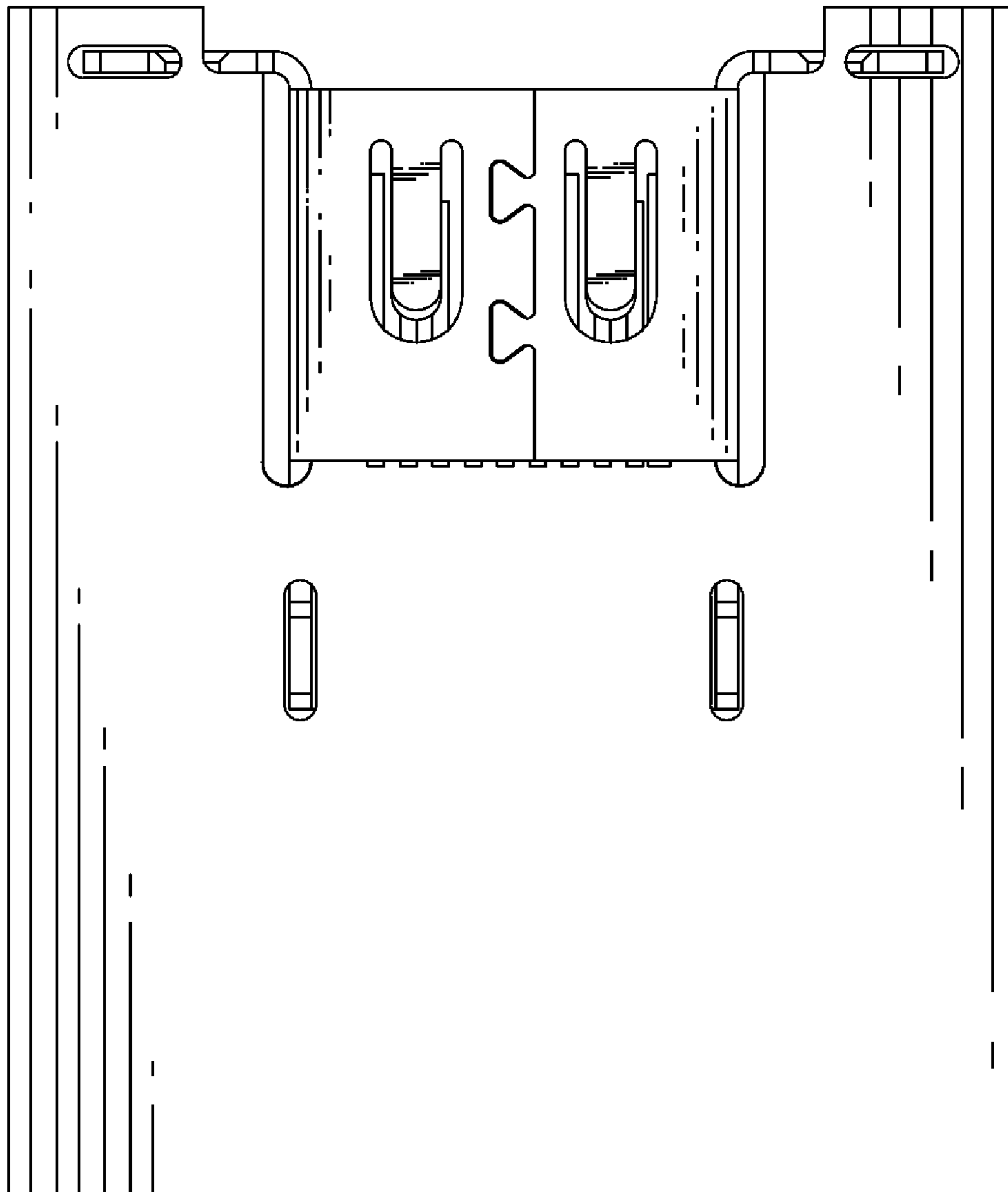


FIG. 7



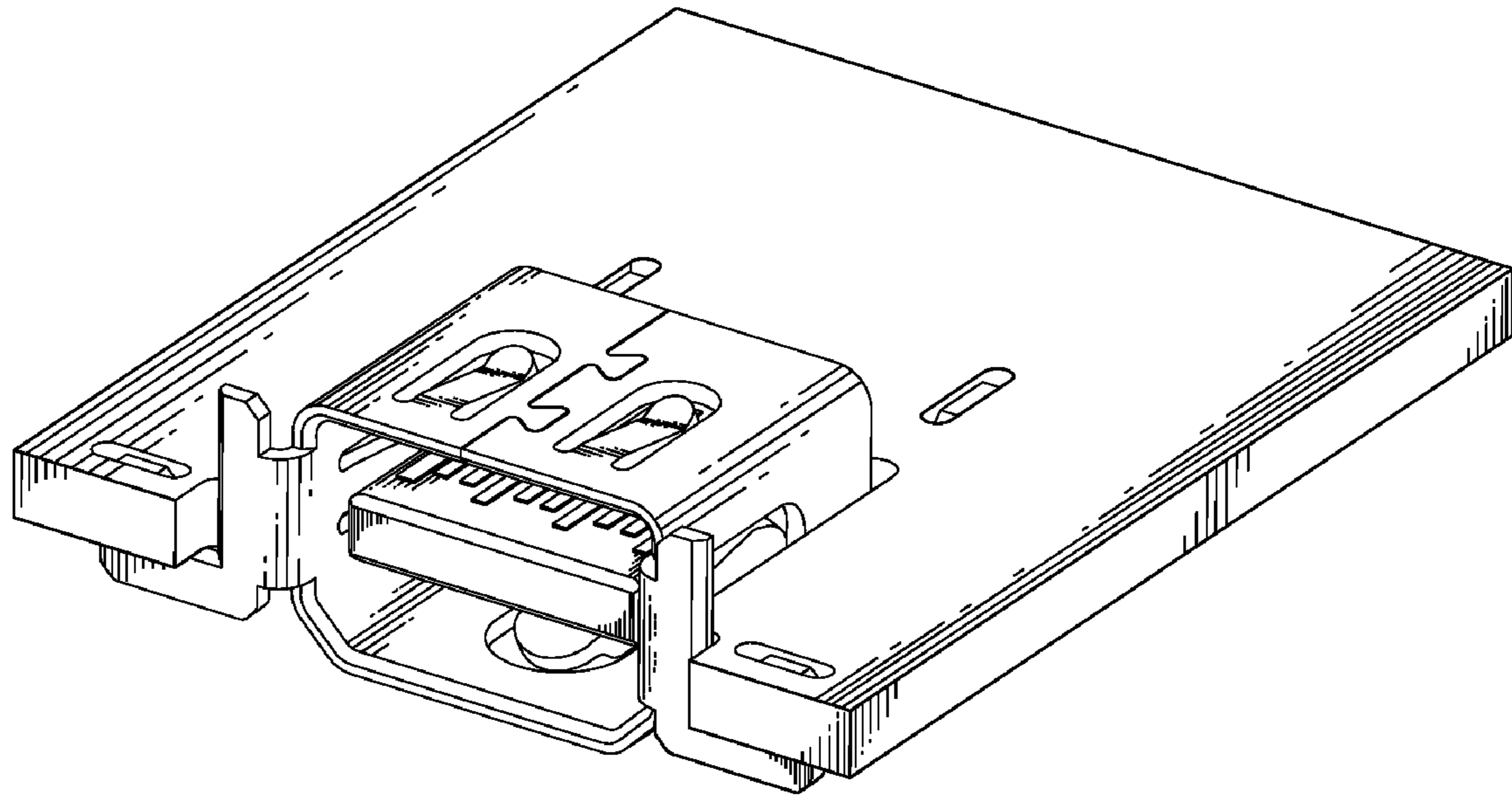


FIG. 8