



US00D627733S

(12) **United States Design Patent**  
**Stütz**

(10) **Patent No.:** **US D627,733 S**  
(45) **Date of Patent:** **\*\* Nov. 23, 2010**

(54) **ELECTRICAL CONNECTOR**

(75) Inventor: **Oliver Stütz**, Munich (DE)

(73) Assignee: **Compagnie Deutsch GmbH**,  
Martinsried (DE)

(\*\*) Term: **14 Years**

(21) Appl. No.: **29/330,741**

(22) Filed: **Jan. 13, 2009**

(30) **Foreign Application Priority Data**

Jul. 17, 2008 (EM) ..... 000972344-0001

(51) **LOC (9) Cl.** ..... **13-03**

(52) **U.S. Cl.** ..... **D13/147**

(58) **Field of Classification Search** ..... D13/133,  
D13/146-147, 154, 184; 439/284, 290, 291,  
439/460, 463, 638, 607-610, 676  
See application file for complete search history.

(56) **References Cited**

**U.S. PATENT DOCUMENTS**

D331,224 S \* 11/1992 Robertson ..... D13/147  
D349,099 S \* 7/1994 Robertson et al. .... D13/147  
D408,357 S \* 4/1999 Kichise ..... D13/146  
D447,121 S \* 8/2001 Yim ..... D13/147

6,299,490 B1 \* 10/2001 Schultz et al. .... 439/676  
D573,095 S \* 7/2008 Poupore et al. .... D13/133  
D608,286 S \* 1/2010 Stutz ..... D13/147  
D608,292 S \* 1/2010 Stutz ..... D13/147

\* cited by examiner

*Primary Examiner*—Daniel D Bui

(74) *Attorney, Agent, or Firm*—Quarles & Brady, LLP

(57) **CLAIM**

The ornamental design for an electrical connector, as shown and described.

**DESCRIPTION**

FIG. 1 is a top perspective view of an electrical connector showing my new design;

FIG. 2 is a side elevational view thereof;

FIG. 3 is a rear elevational view thereof;

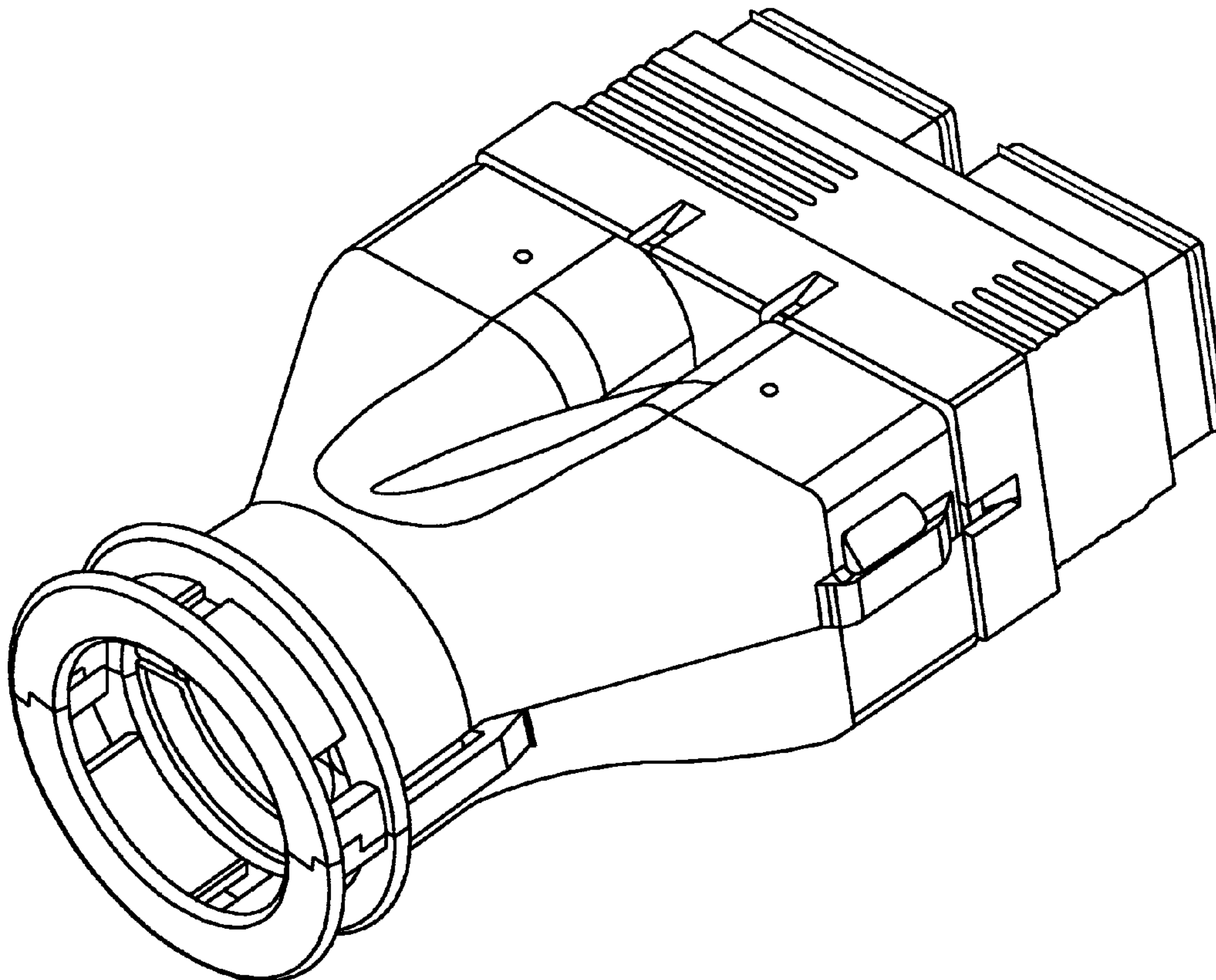
FIG. 4 is a front elevational view thereof;

FIG. 5 is a top view thereof; and,

FIG. 6 is a top perspective view with a top cover removed.

The broken line portion of the figure drawings is included to show unclaimed subject matter only and forms no part of the claimed design.

**1 Claim, 6 Drawing Sheets**



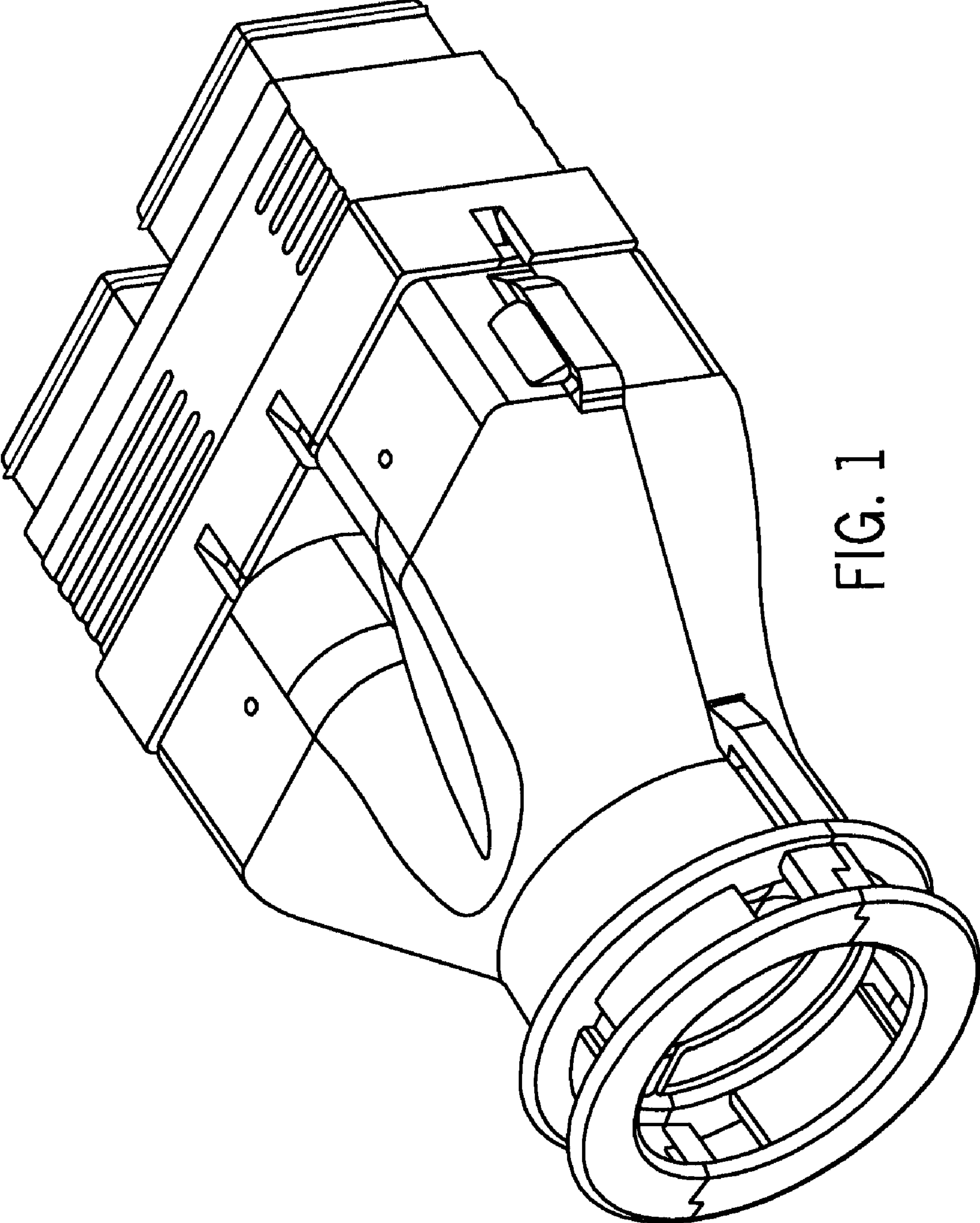


FIG. 1

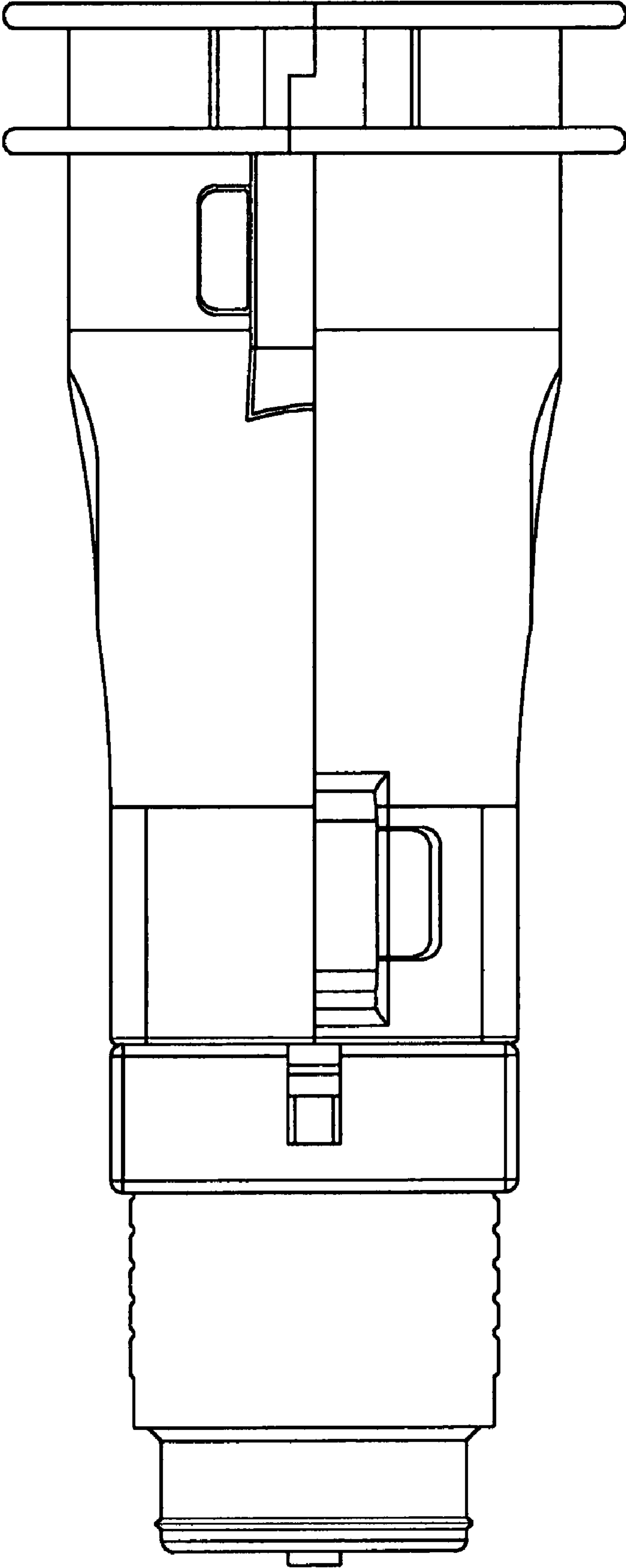


FIG. 2

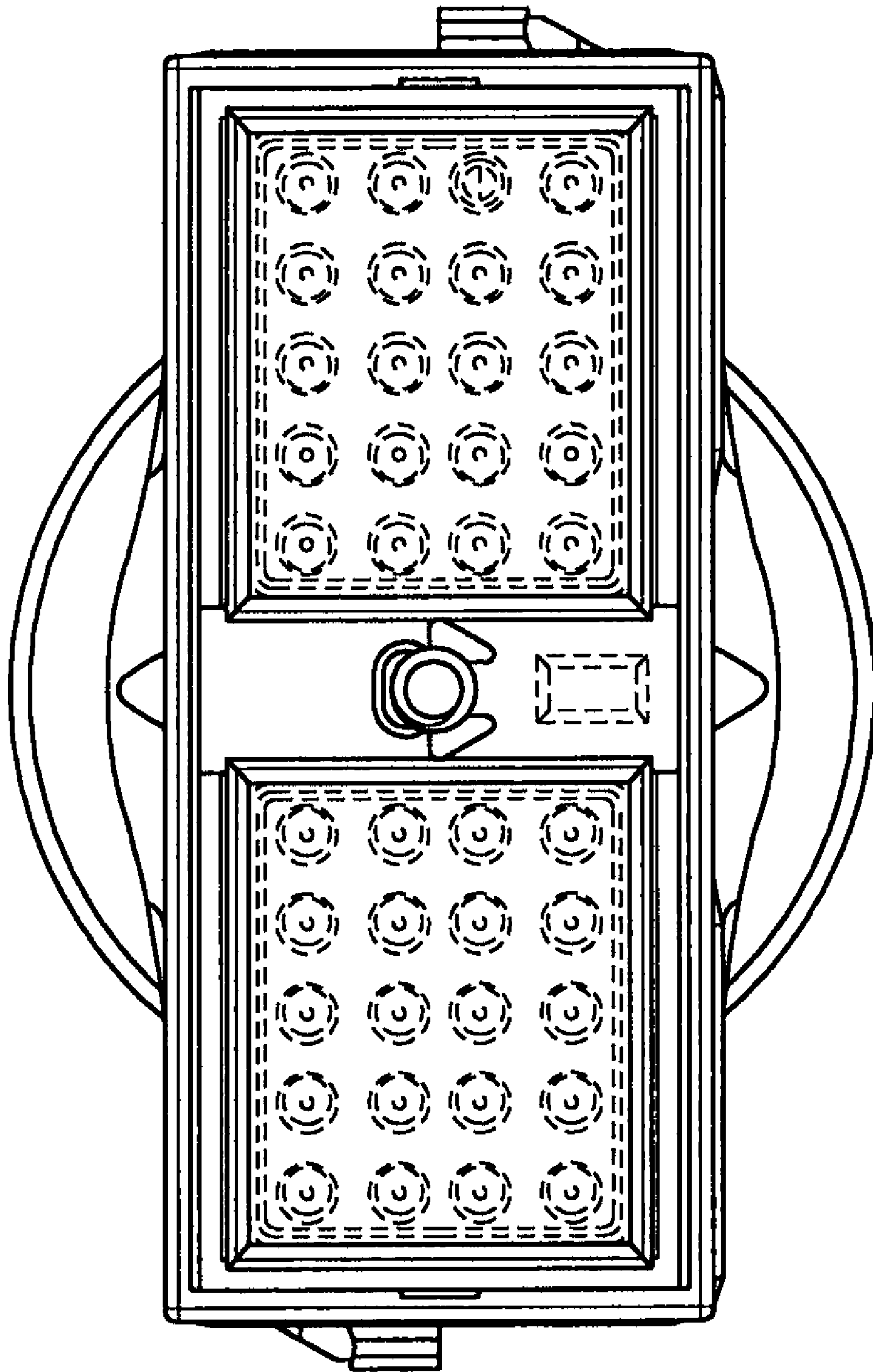


FIG. 3

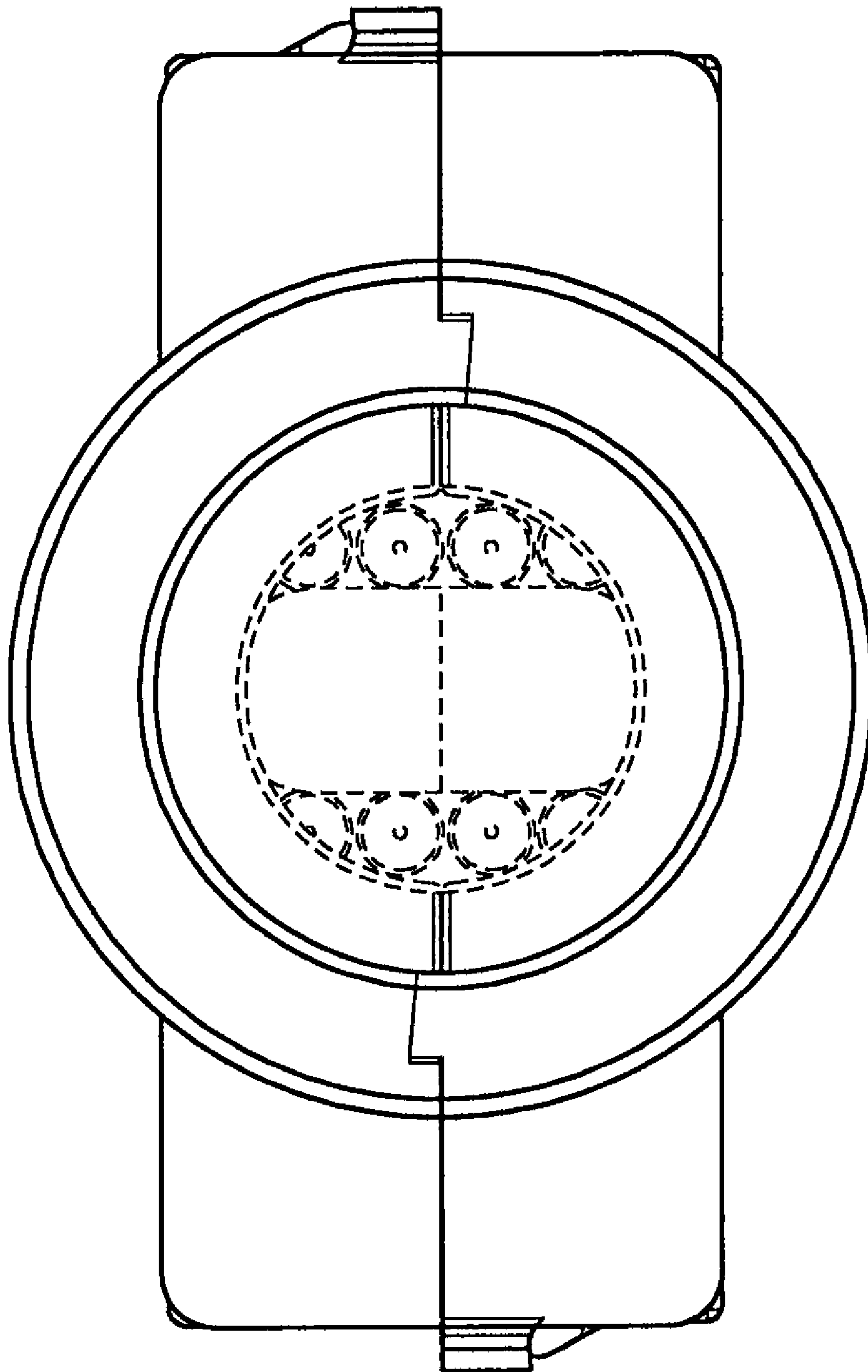


FIG. 4



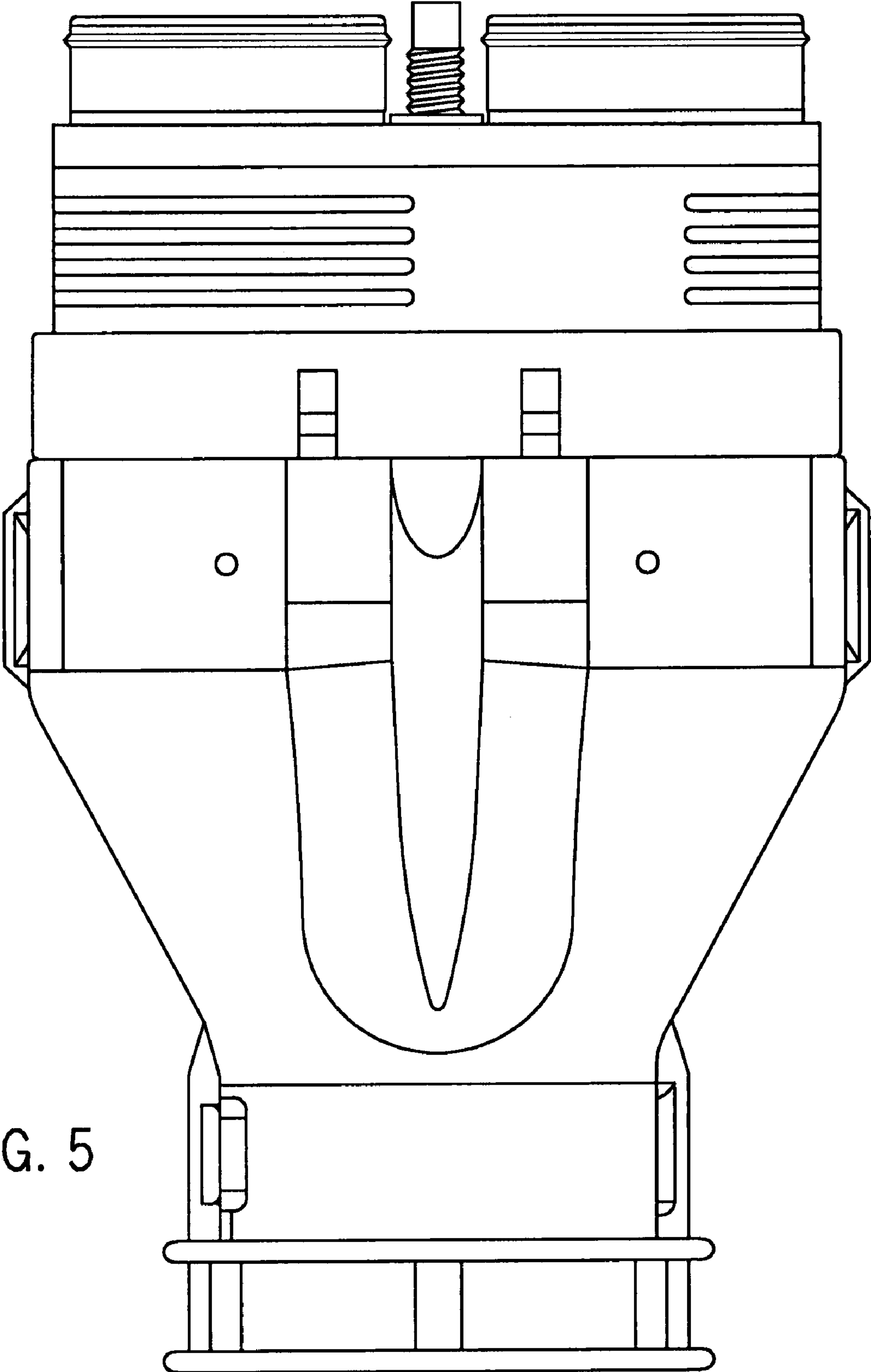


FIG. 5

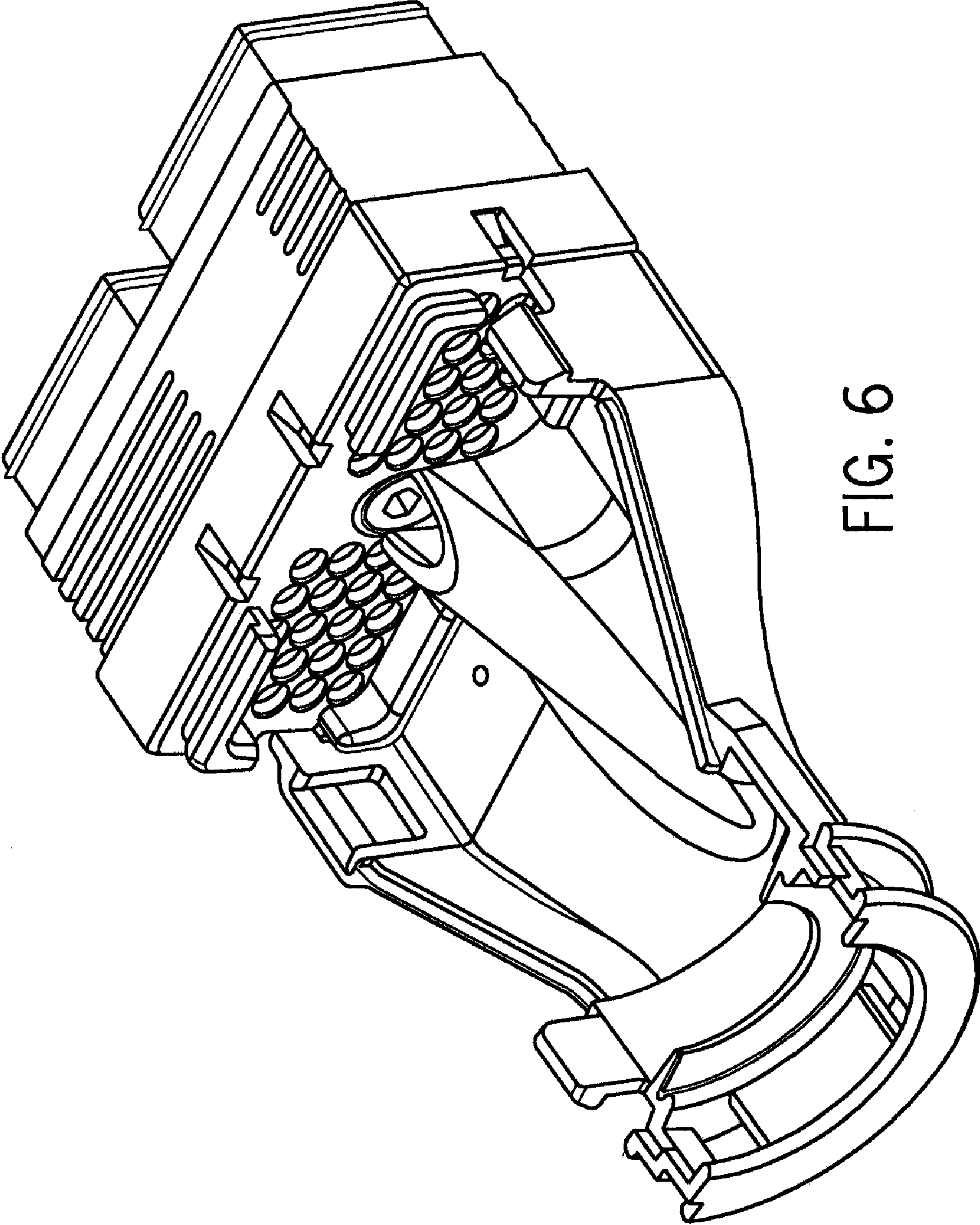


FIG. 6