



US00D627732S

(12) **United States Design Patent**  
**Stütz**

(10) **Patent No.:** **US D627,732 S**

(45) **Date of Patent:** **\*\* Nov. 23, 2010**

(54) **ELECTRICAL CONNECTOR**

(75) Inventor: **Oliver Stütz**, Munich (DE)

(73) Assignee: **Compagnie Deutsch GmbH**,  
Martinsried (DE)

(\*\*) Term: **14 Years**

(21) Appl. No.: **29/330,736**

(22) Filed: **Jan. 13, 2009**

(51) **LOC (9) Cl.** ..... **13-03**

(52) **U.S. Cl.** ..... **D13/147**

(58) **Field of Classification Search** ..... D13/133,  
D13/146-147, 154, 184; 439/284, 290, 291,  
439/460, 463, 638, 607-610, 676  
See application file for complete search history.

(56) **References Cited**

**U.S. PATENT DOCUMENTS**

D349,099	S	*	7/1994	Robertson et al.	.....	D13/147
D447,121	S	*	8/2001	Yim	.....	D13/147
6,299,490	B1	*	10/2001	Schultz et al.	.....	439/676
D608,286	S	*	1/2010	Stütz	.....	D13/147
D608,292	S	*	1/2010	Stütz	.....	D13/147

\* cited by examiner

*Primary Examiner*—Daniel D Bui

(74) *Attorney, Agent, or Firm*—Quarles & Brady LLP

(57) **CLAIM**

The ornamental design for an electrical connector, as shown and described.

**DESCRIPTION**

FIG. 1 is a right side elevational view of an electrical connector showing my new design;

FIG. 2 is a left side elevational view thereof;

FIG. 3 is a rear elevational view thereof;

FIG. 4 is a front elevational view thereof;

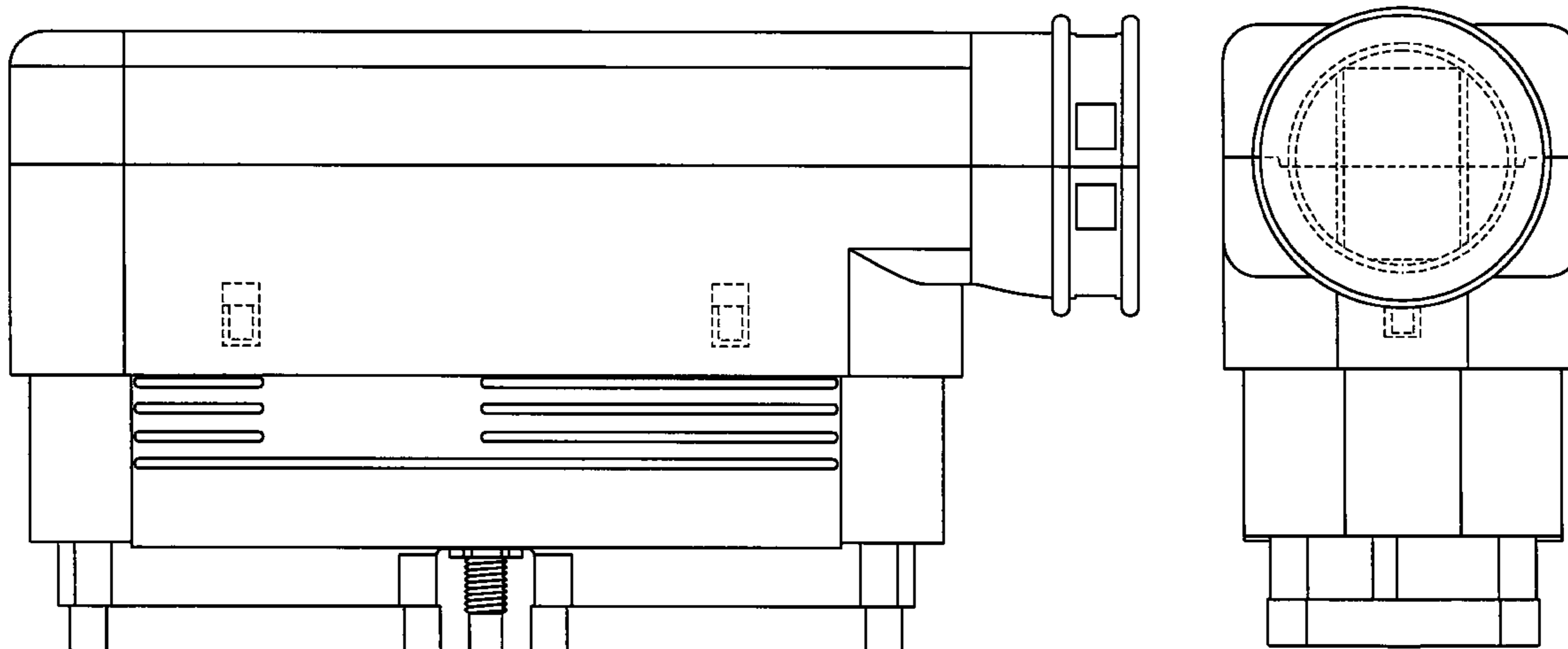
FIG. 5 is a bottom view thereof; and,

FIG. 6 is a top view thereof.

The broken line portion of the figure drawings is included to show unclaimed subject matter only and forms no part of the claimed design.

In a preferred embodiment, the electrical connector is a fitting of an electrical and electronic system of automobiles by means of cable harnesses, and the like.

**1 Claim, 6 Drawing Sheets**



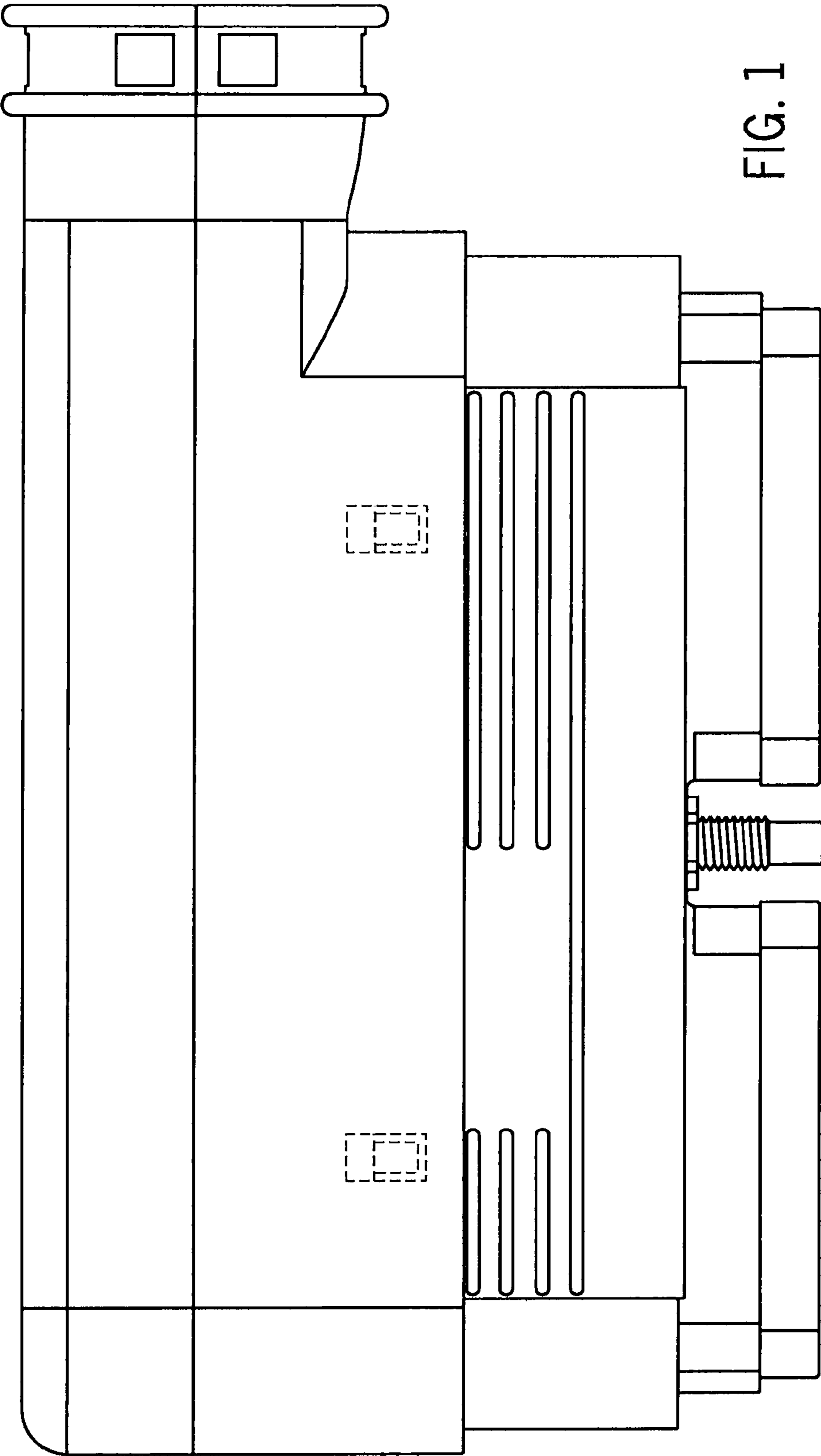


FIG. 1

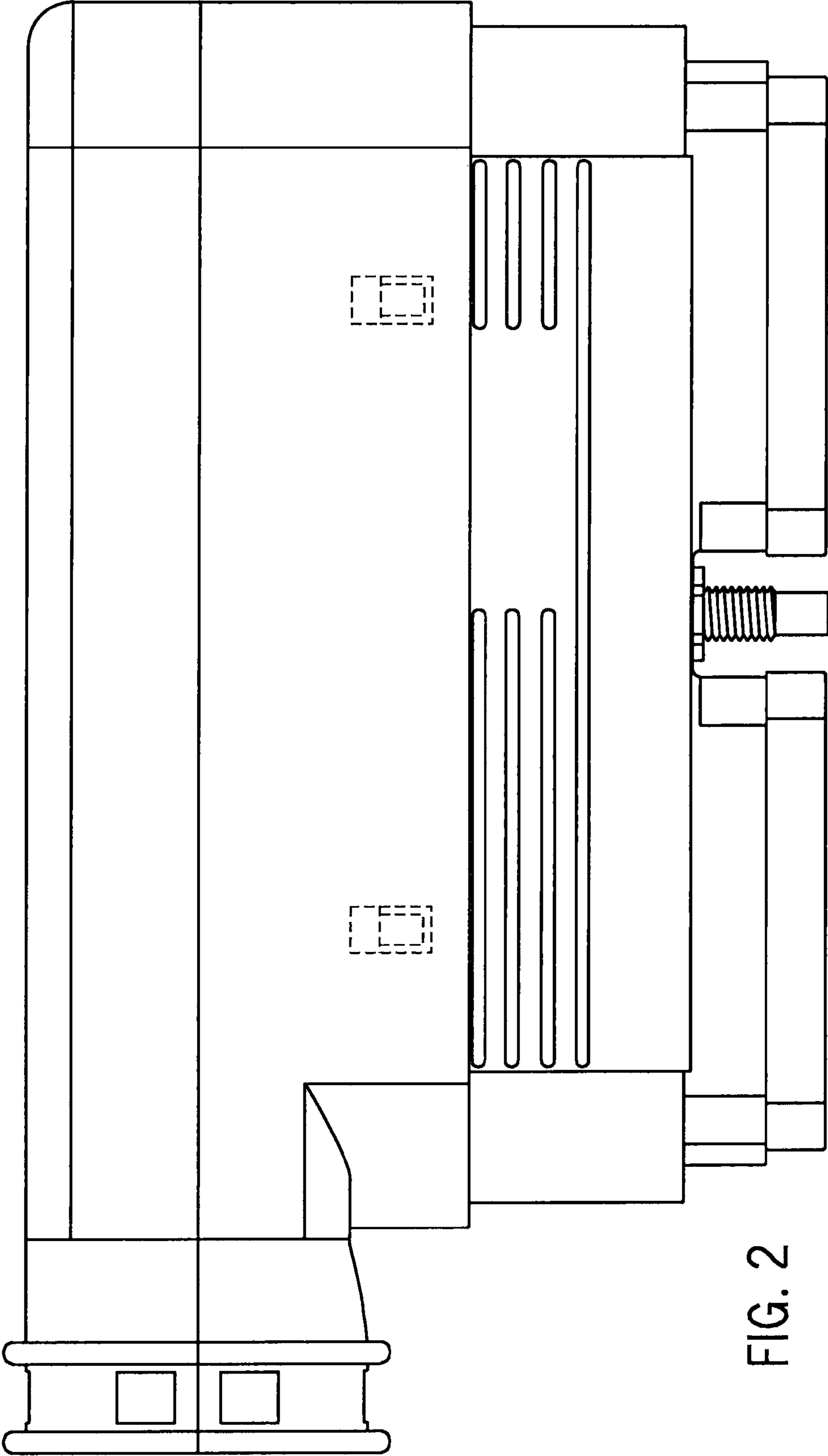


FIG. 2

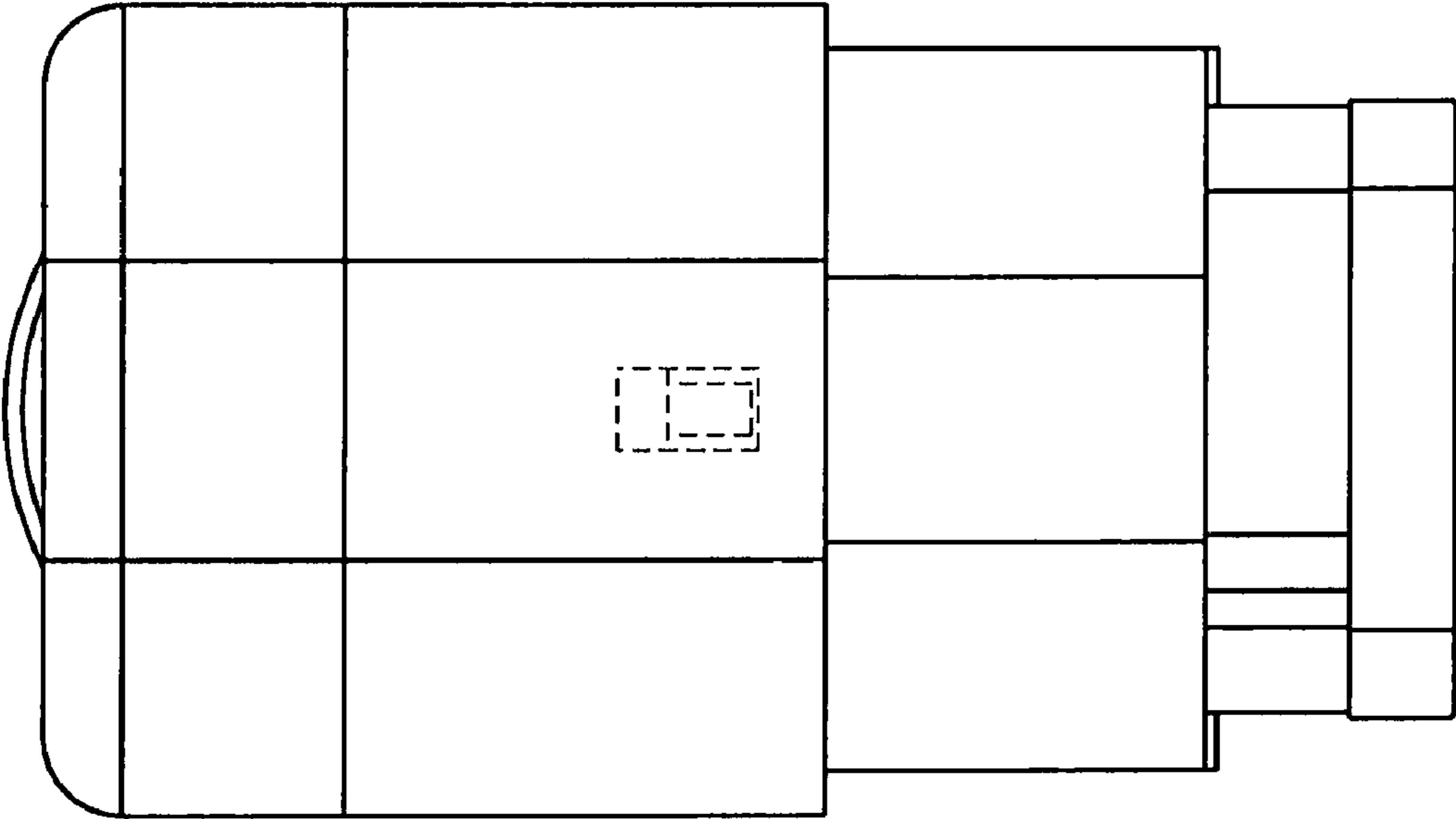


FIG. 3

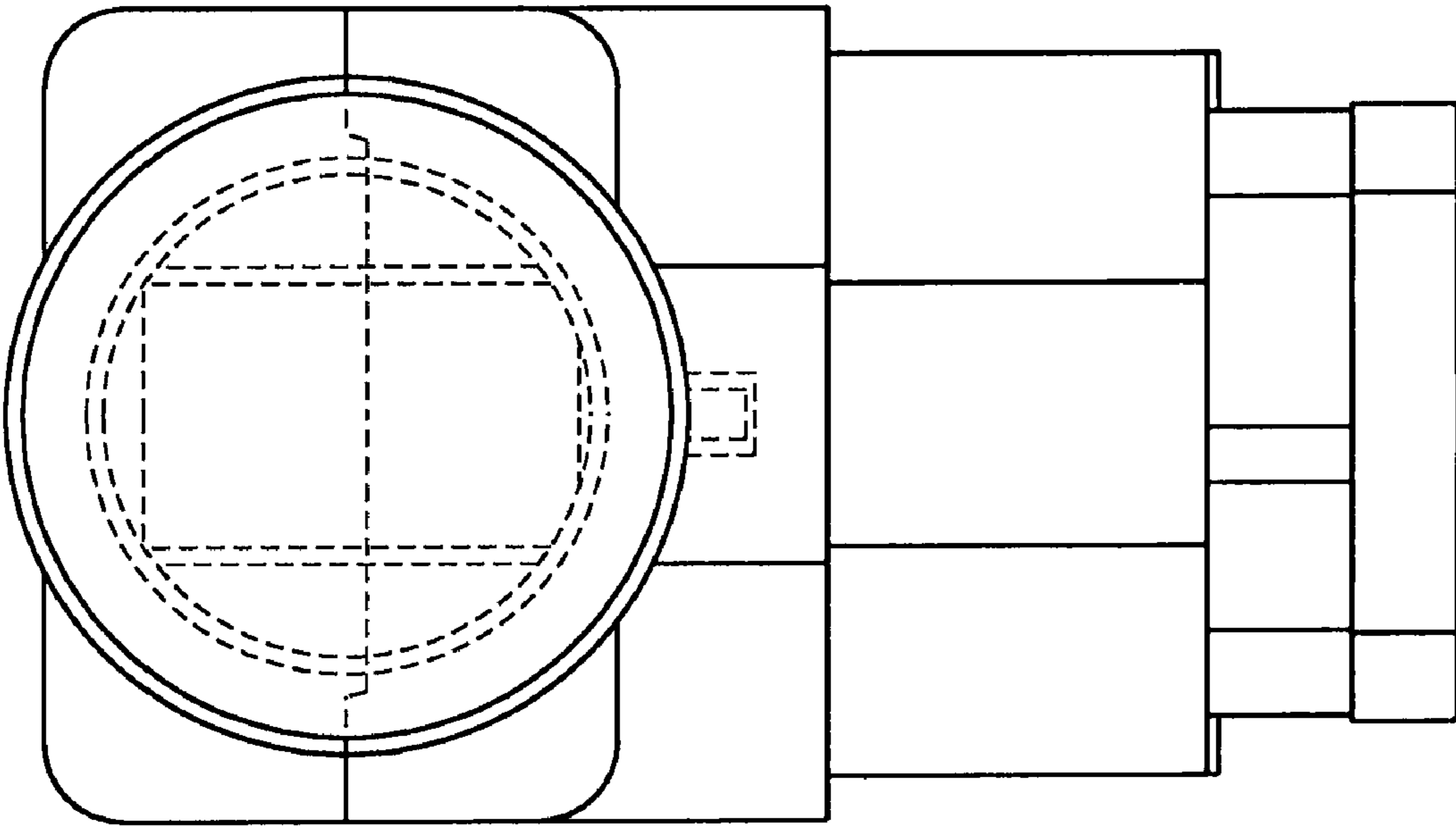


FIG. 4

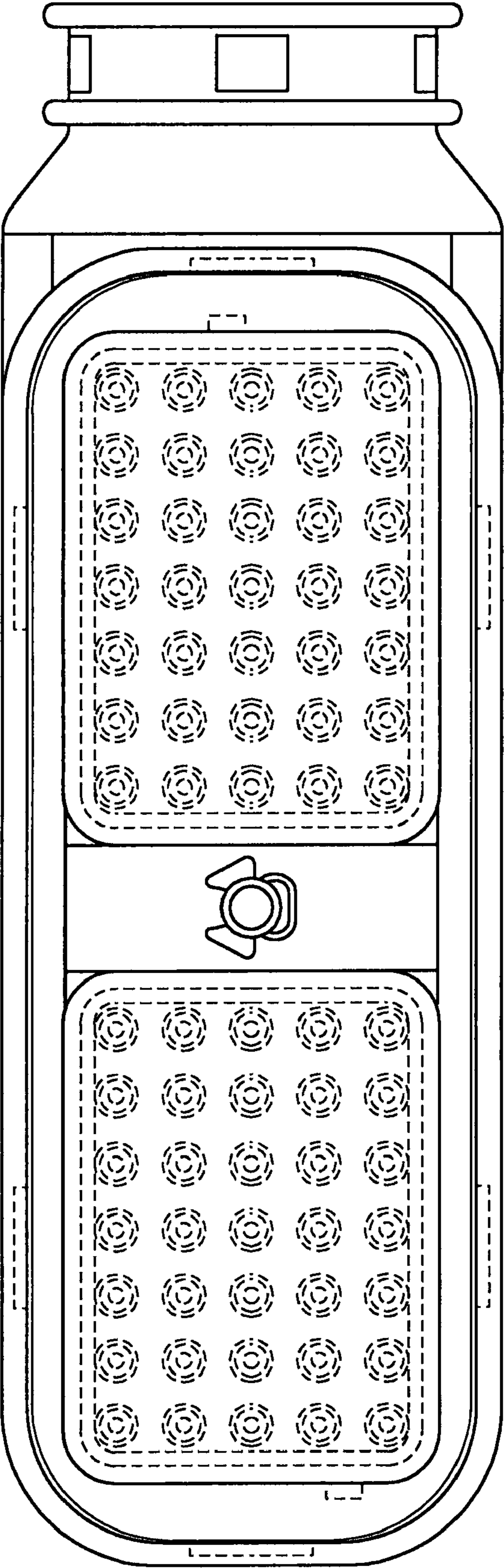


FIG. 5

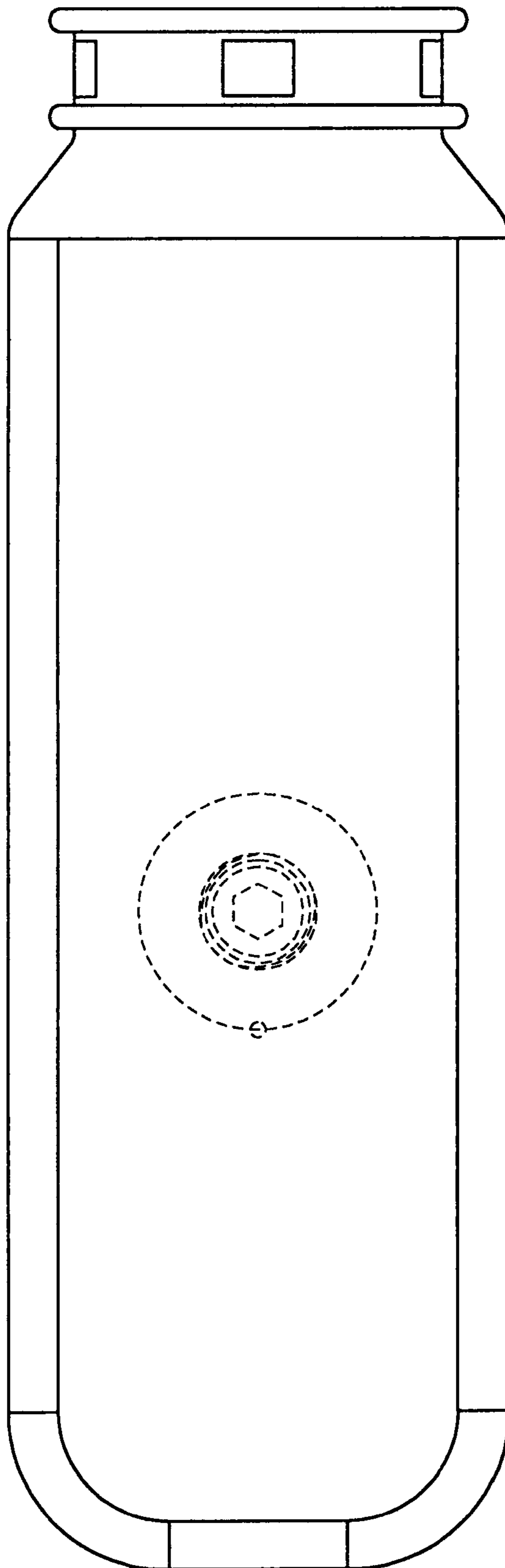


FIG. 6