



US00D627731S

(12) **United States Design Patent**  
**Huang et al.**

(10) **Patent No.:** **US D627,731 S**

(45) **Date of Patent:** **\*\* Nov. 23, 2010**

(54) **POWER CONNECTOR**

(75) Inventors: **Yu-Hung Huang**, Taoyuan Hsien (TW);  
**Kang-Yu Fan**, Taoyuan Hsien (TW)

(73) Assignee: **Delta Electronics, Inc.**, Taoyuan Hsien  
(TW)

(\*\*) Term: **14 Years**

(21) Appl. No.: **29/361,017**

(22) Filed: **May 4, 2010**

(51) **LOC (9) Cl.** ..... **13-03**

(52) **U.S. Cl.** ..... **D13/146**

(58) **Field of Classification Search** ..... D13/133,  
D13/137.1, 137.2, 138.1, 138.2, 139.1, 146,  
D13/147, 154, 156, 184; 439/92, 106, 151,  
439/152, 246, 266, 278, 374, 476.1, 527,  
439/606, 892

See application file for complete search history.

(56) **References Cited**

**U.S. PATENT DOCUMENTS**

D314,750 S *	2/1991	Wegrzyn et al.	.....	D13/146
D394,242 S *	5/1998	Park	.....	D13/146
D460,049 S *	7/2002	McCoy	.....	D13/147
D492,652 S *	7/2004	McCoy	.....	D13/147
D543,148 S *	5/2007	Suckle et al.	.....	D13/146
D543,941 S *	6/2007	Hargreaves et al.	.....	D13/146
D544,840 S *	6/2007	Hargreaves et al.	.....	D13/146

\* cited by examiner

*Primary Examiner*—Daniel D Bui

(74) *Attorney, Agent, or Firm*—Kirton & McConkie; Evan R. Witt

(57) **CLAIM**

The ornamental design for a power connector, as shown and described.

**DESCRIPTION**

FIG. 1 is a top, front and right side perspective view of the first embodiment of a power connector showing our new design;

FIG. 2 is a front elevational view thereof;

FIG. 3 is a rear elevational view thereof;

FIG. 4 is a left side elevational view thereof;

FIG. 5 is a right side elevational view thereof;

FIG. 6 is a top plan view thereof;

FIG. 7 is a bottom plan view thereof;

FIG. 8 is a top, rear and left side perspective view of the first embodiment of a power connector showing our new design;

FIG. 9 is a top, front and right side perspective view of the second embodiment of a power connector showing our new design;

FIG. 10 is a front elevational view thereof;

FIG. 11 is a rear elevational view thereof;

FIG. 12 is a left side elevational view thereof;

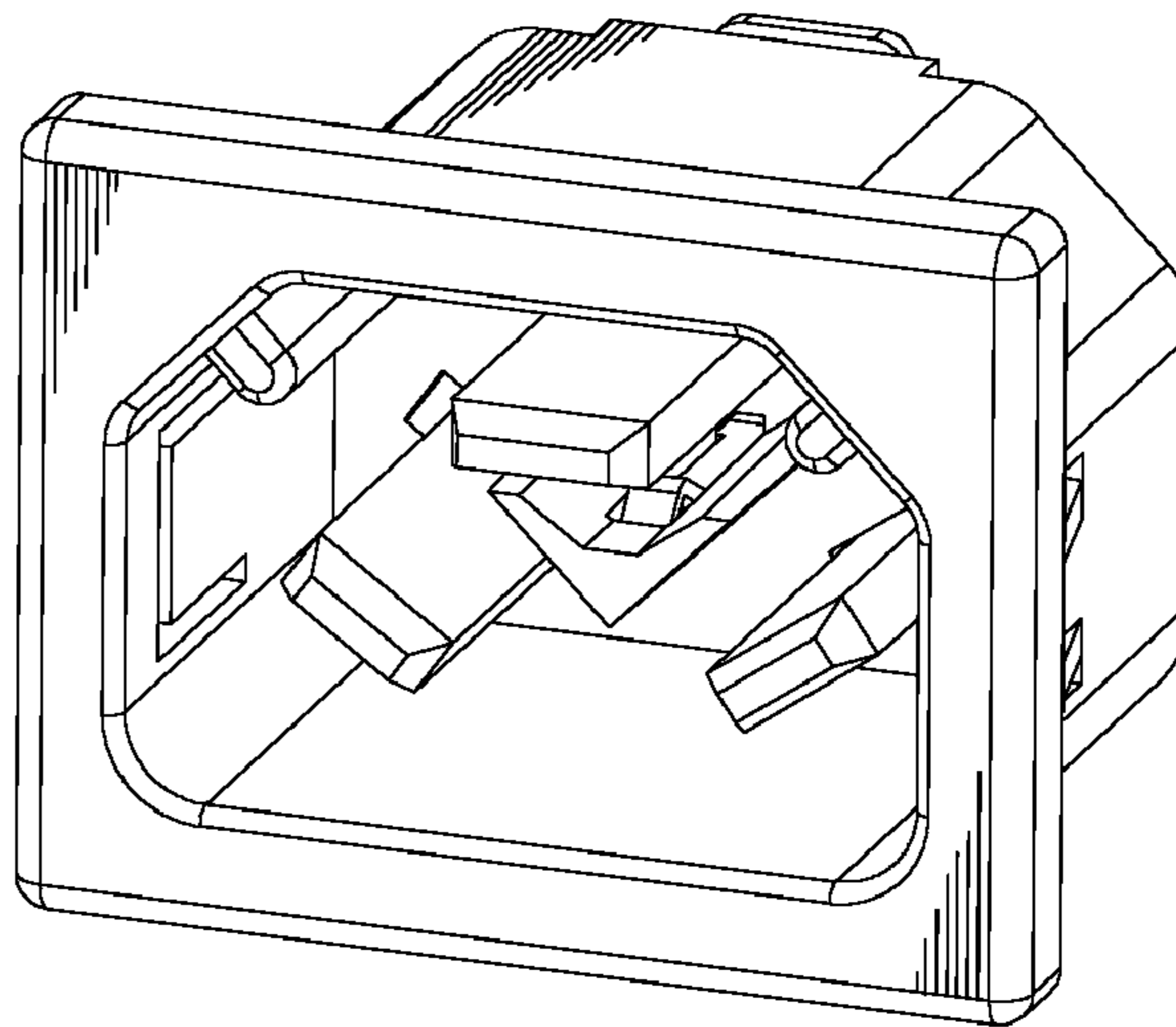
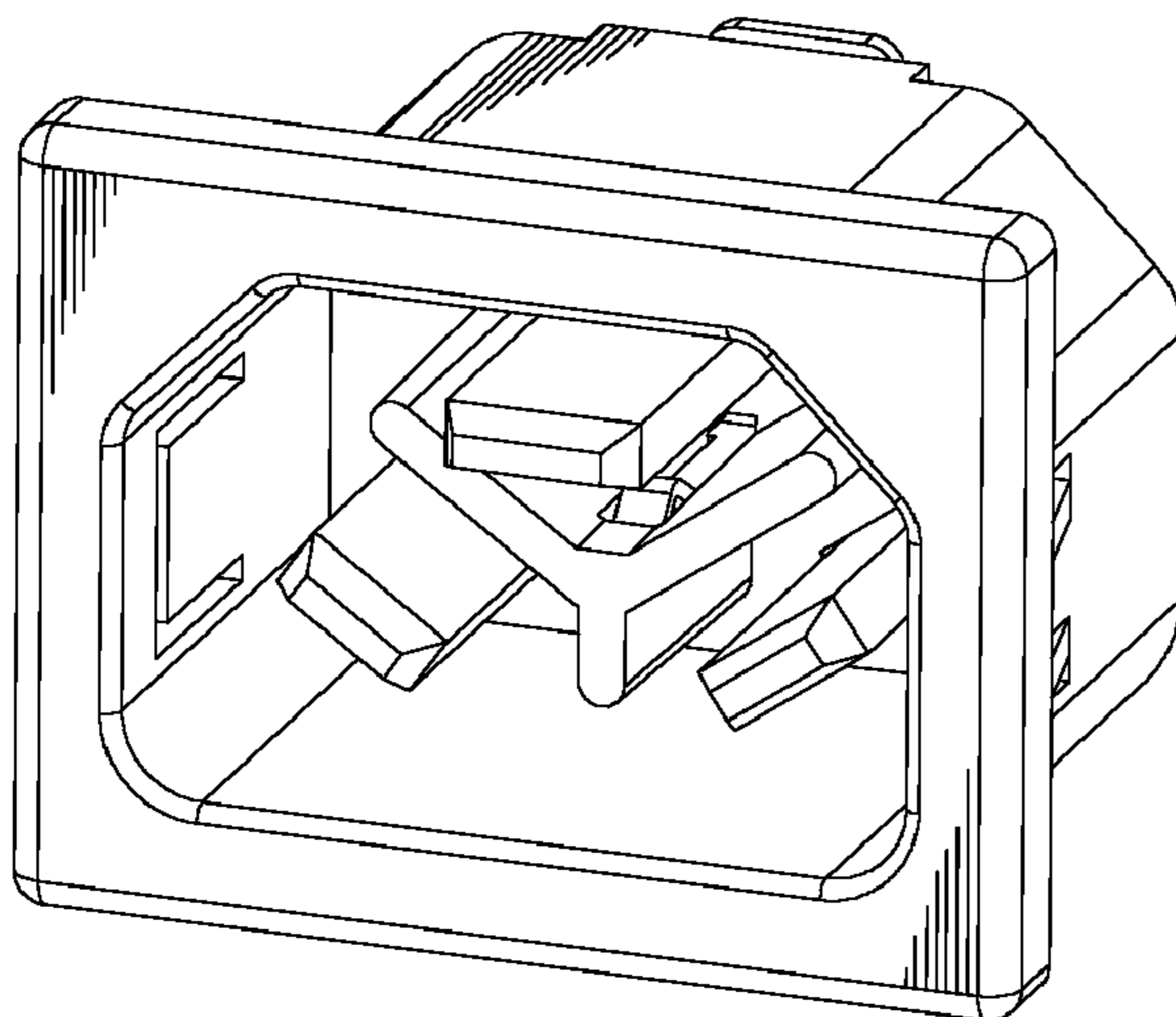
FIG. 13 is a right side elevational view thereof;

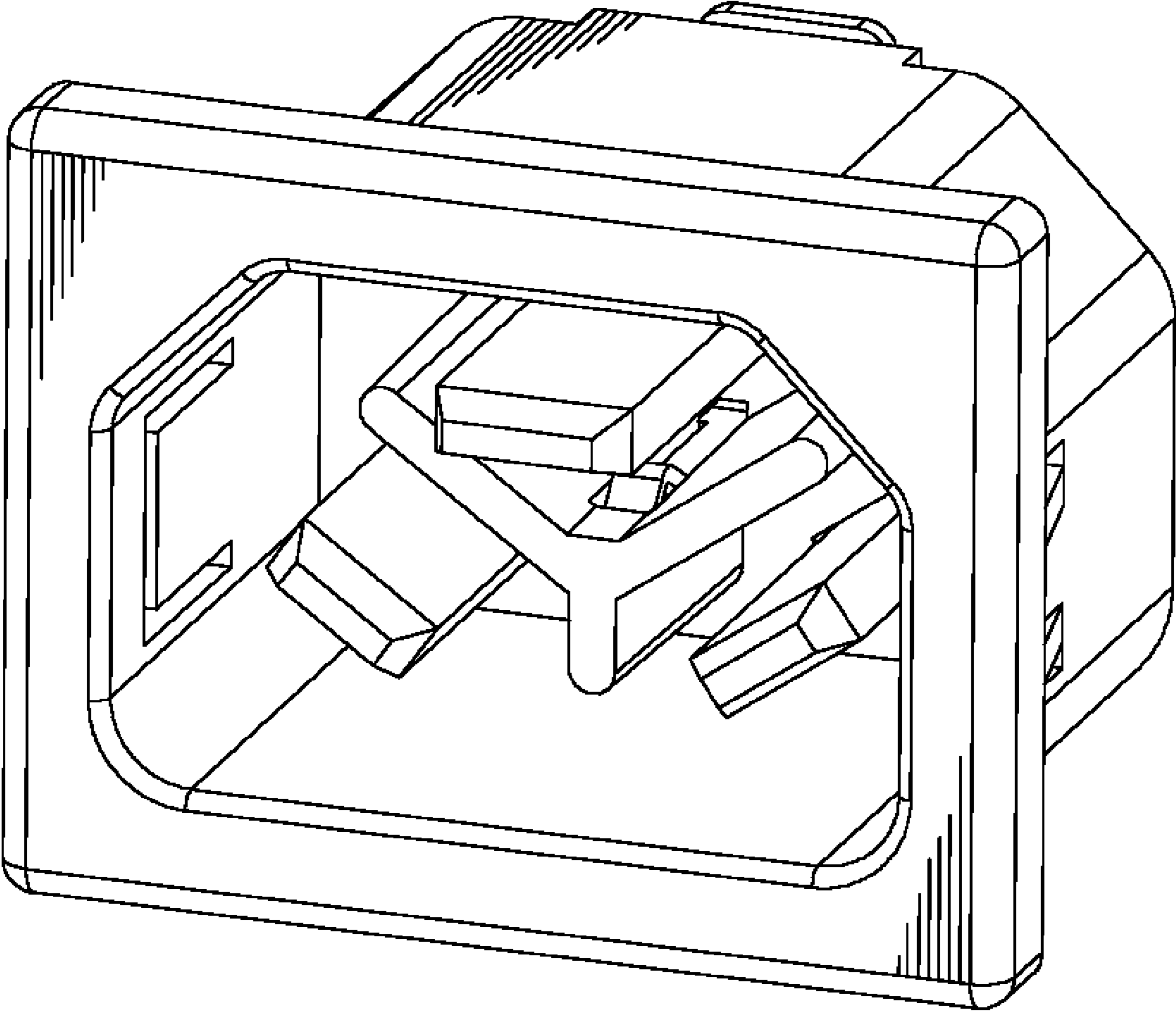
FIG. 14 is a top plan view thereof;

FIG. 15 is a bottom plan view thereof; and,

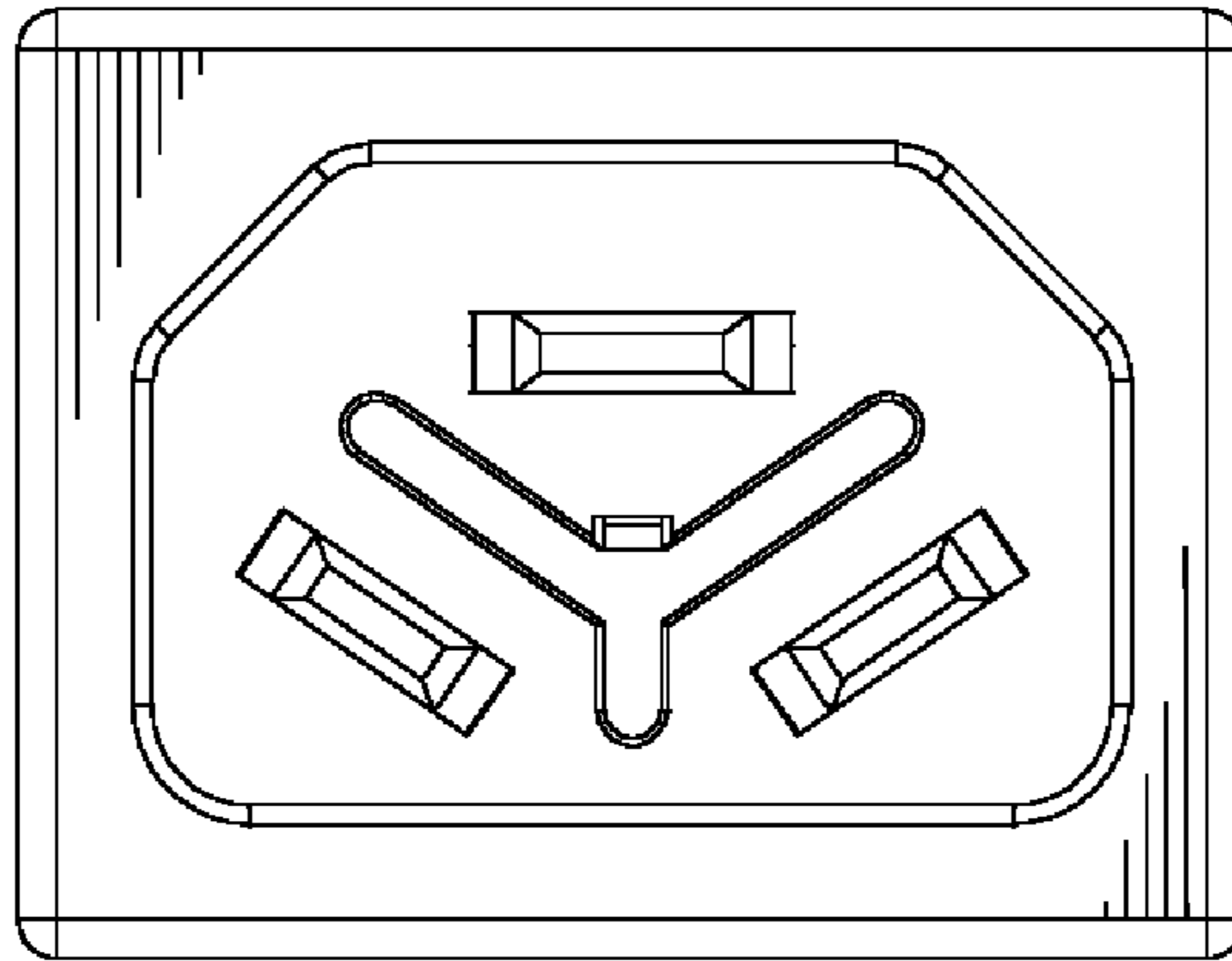
FIG. 16 is a top, rear and left side perspective view of the second embodiment of a power connector showing our new design.

**1 Claim, 10 Drawing Sheets**

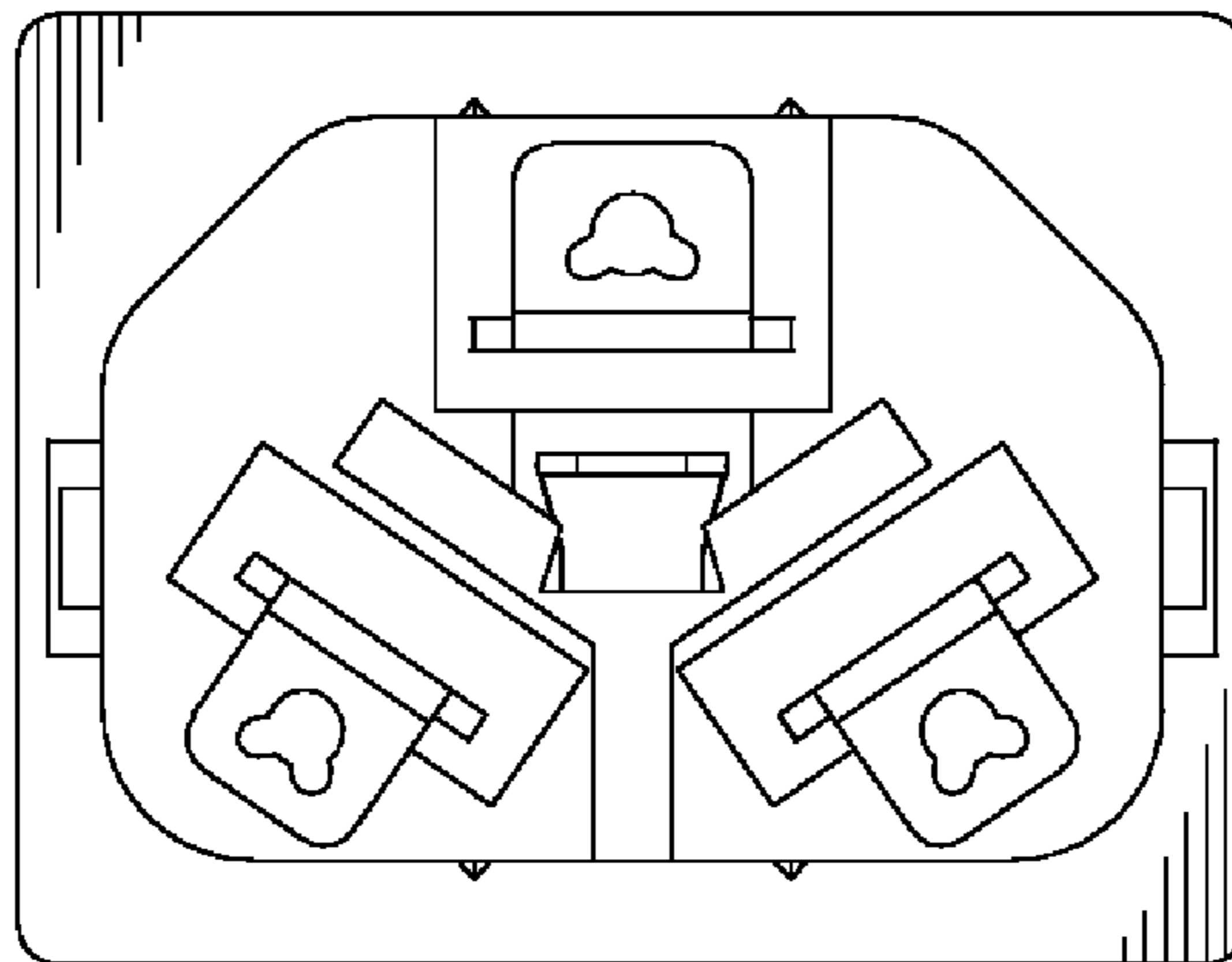




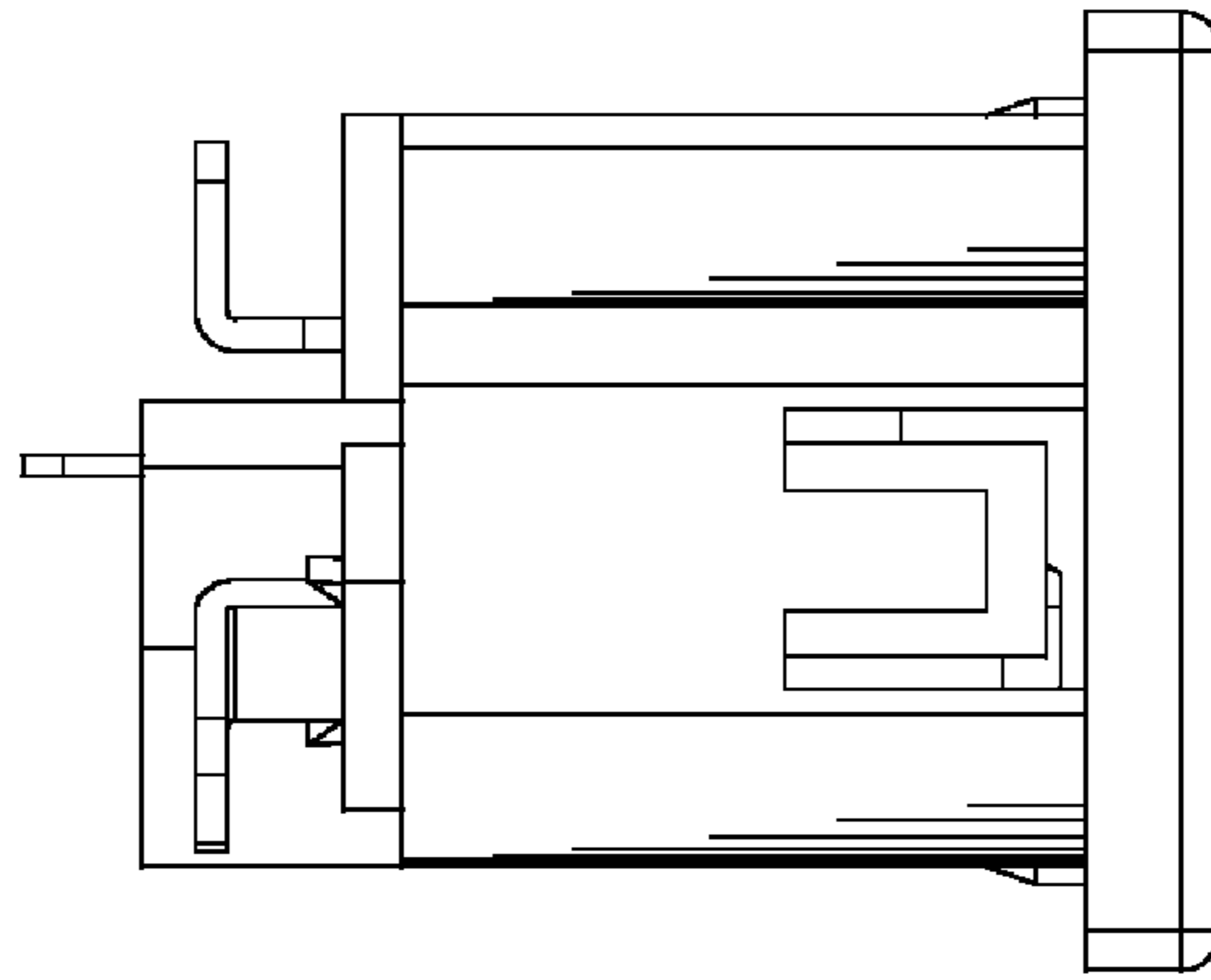
**FIG. 1**



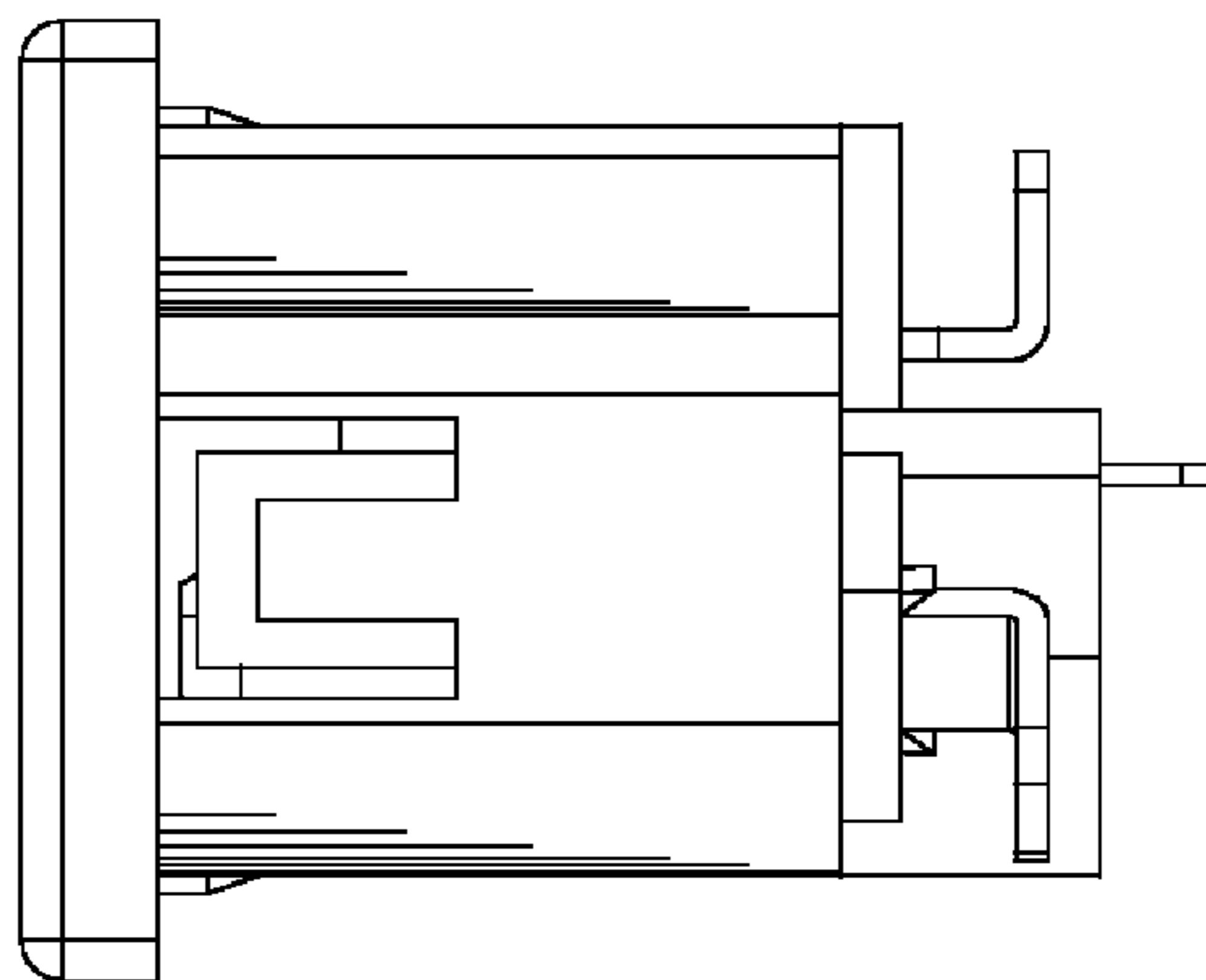
**FIG. 2**



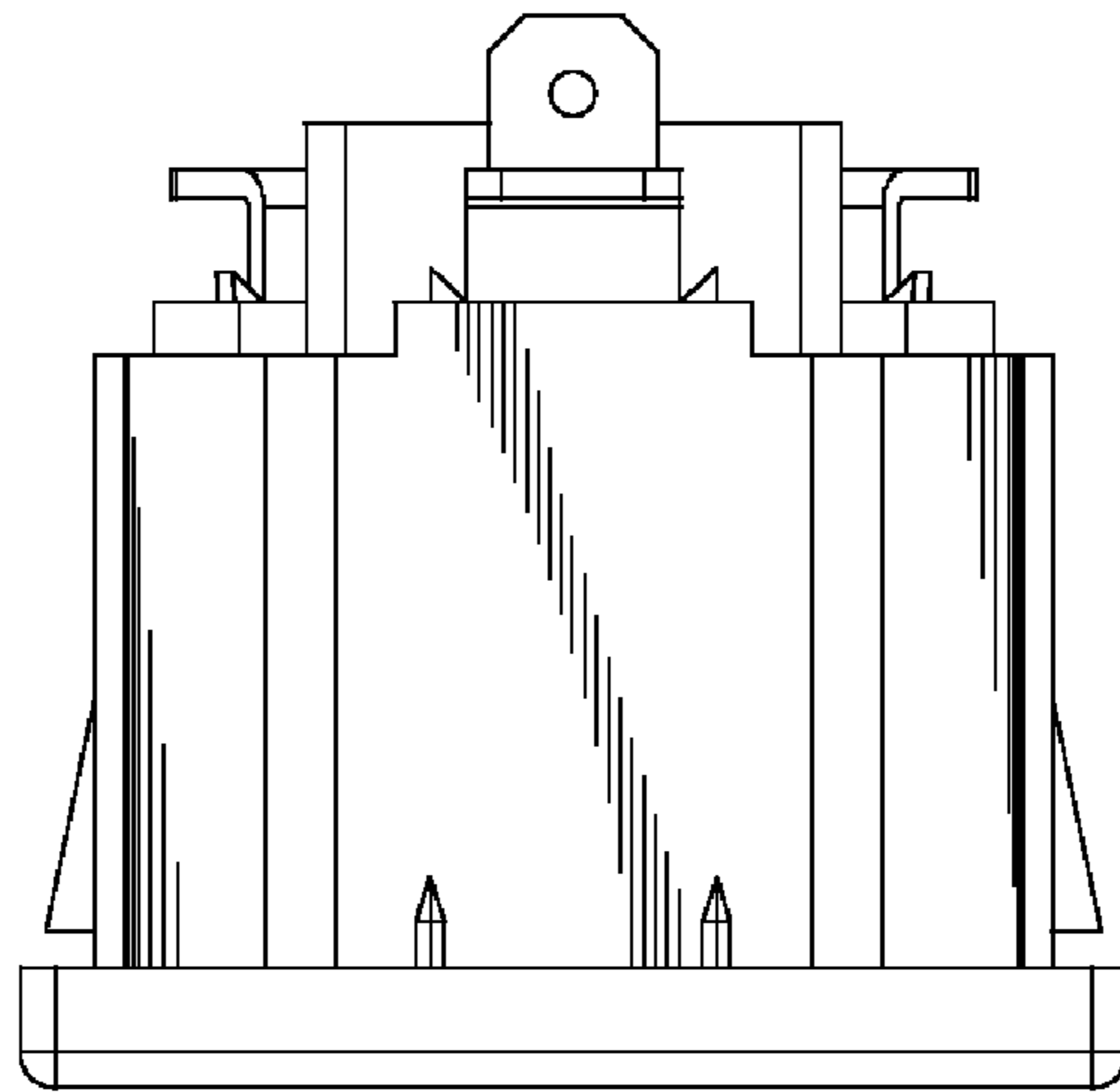
**FIG. 3**



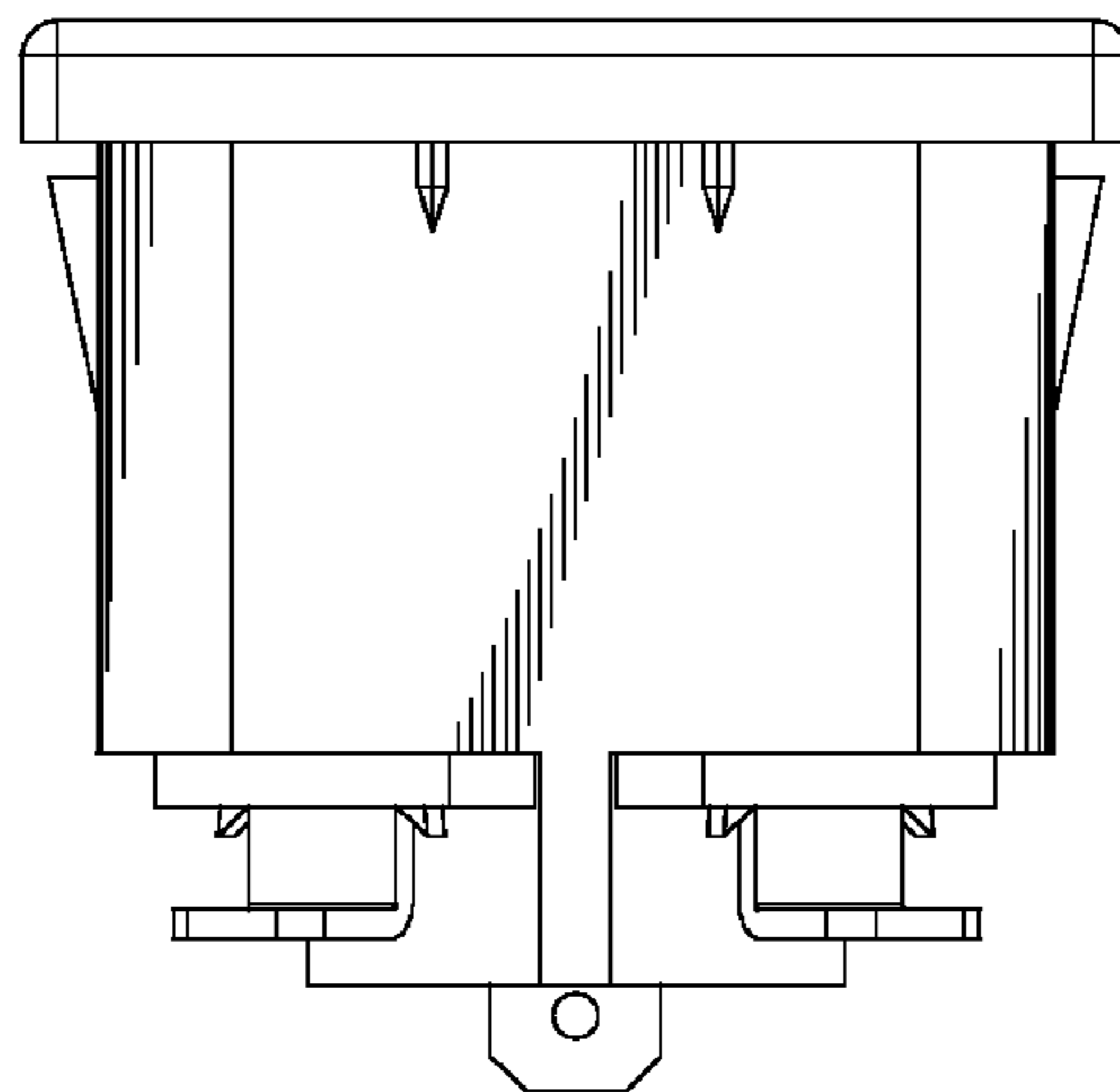
**FIG. 4**



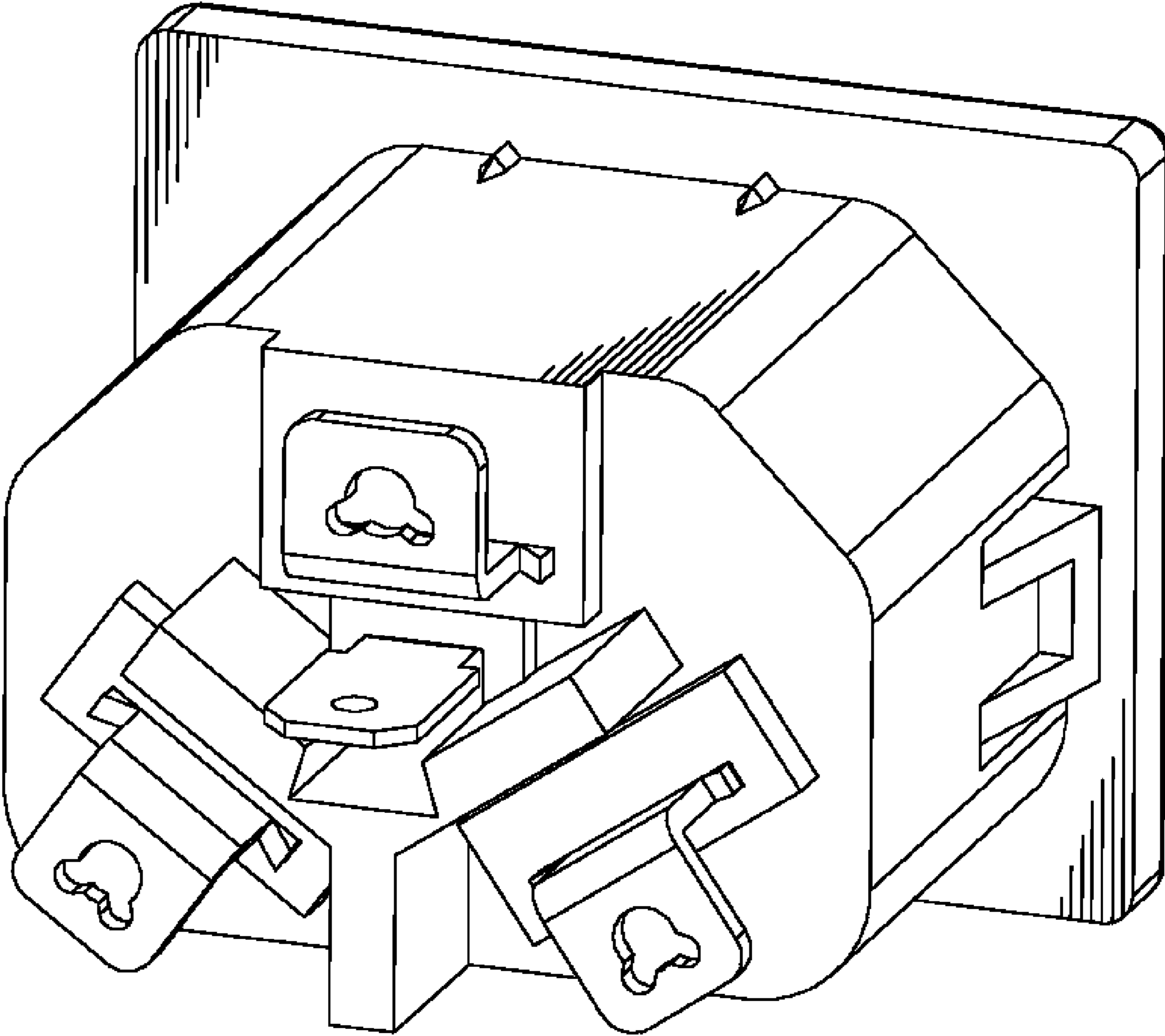
**FIG. 5**



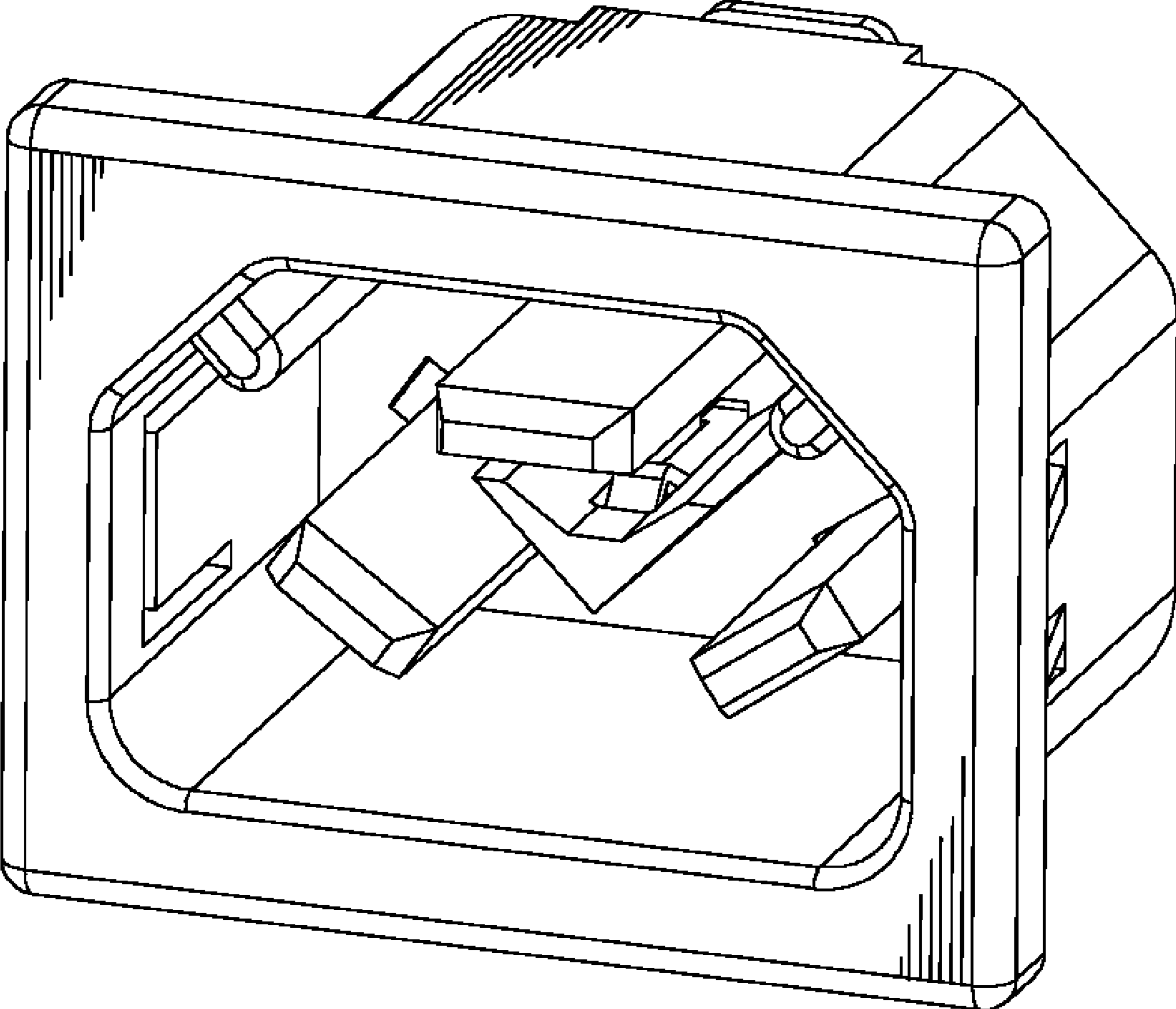
**FIG. 6**



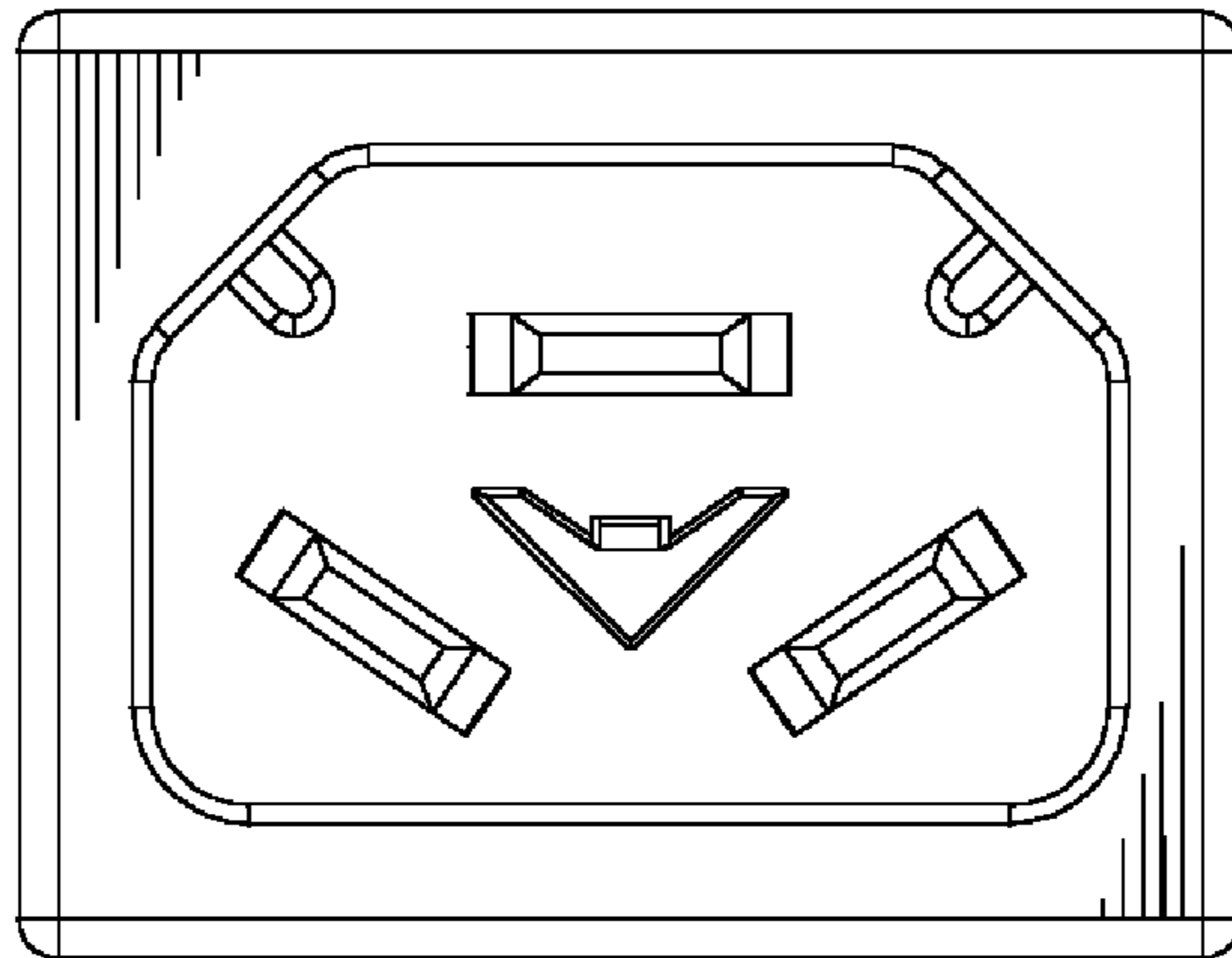
**FIG. 7**



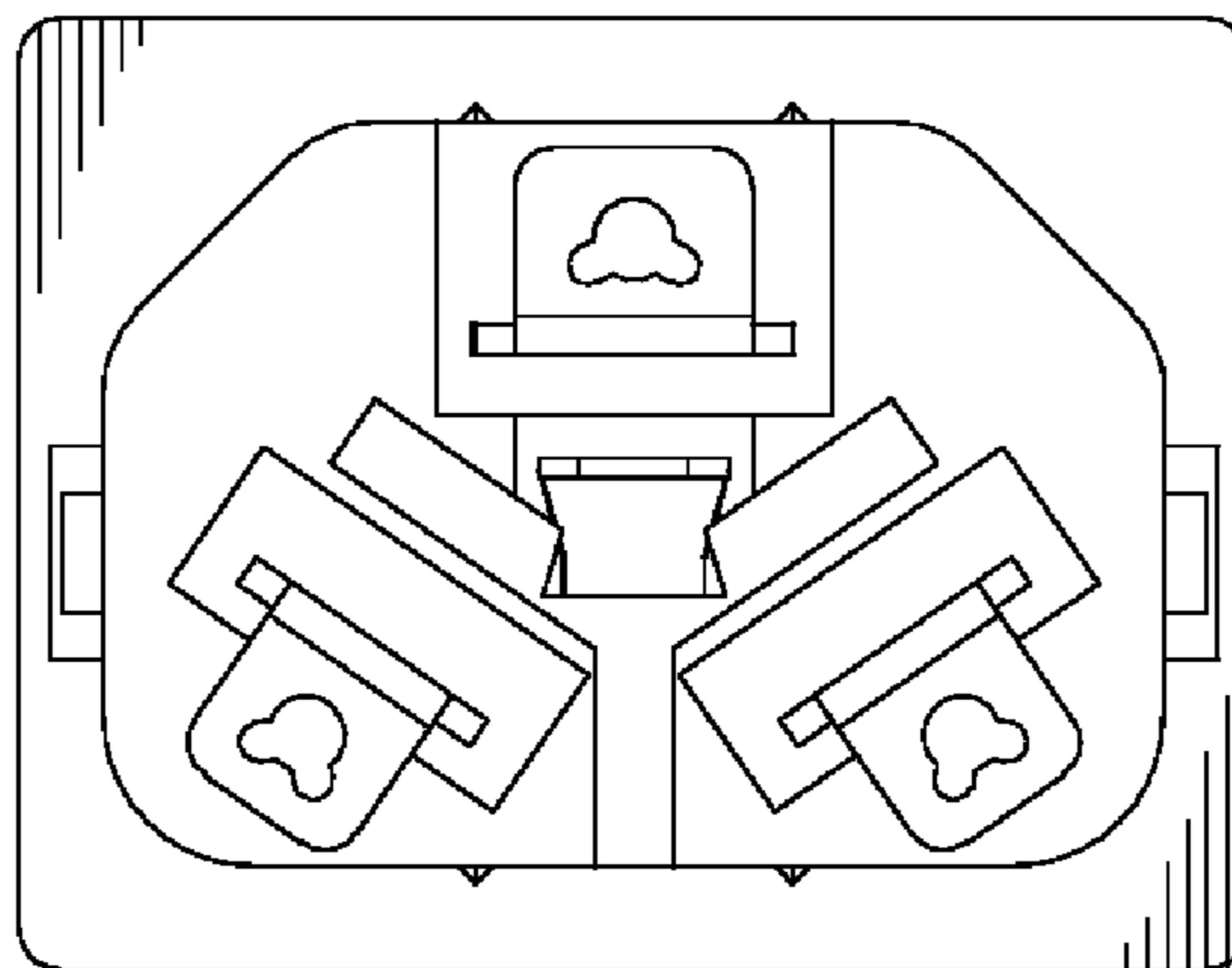
**FIG. 8**



**FIG. 9**

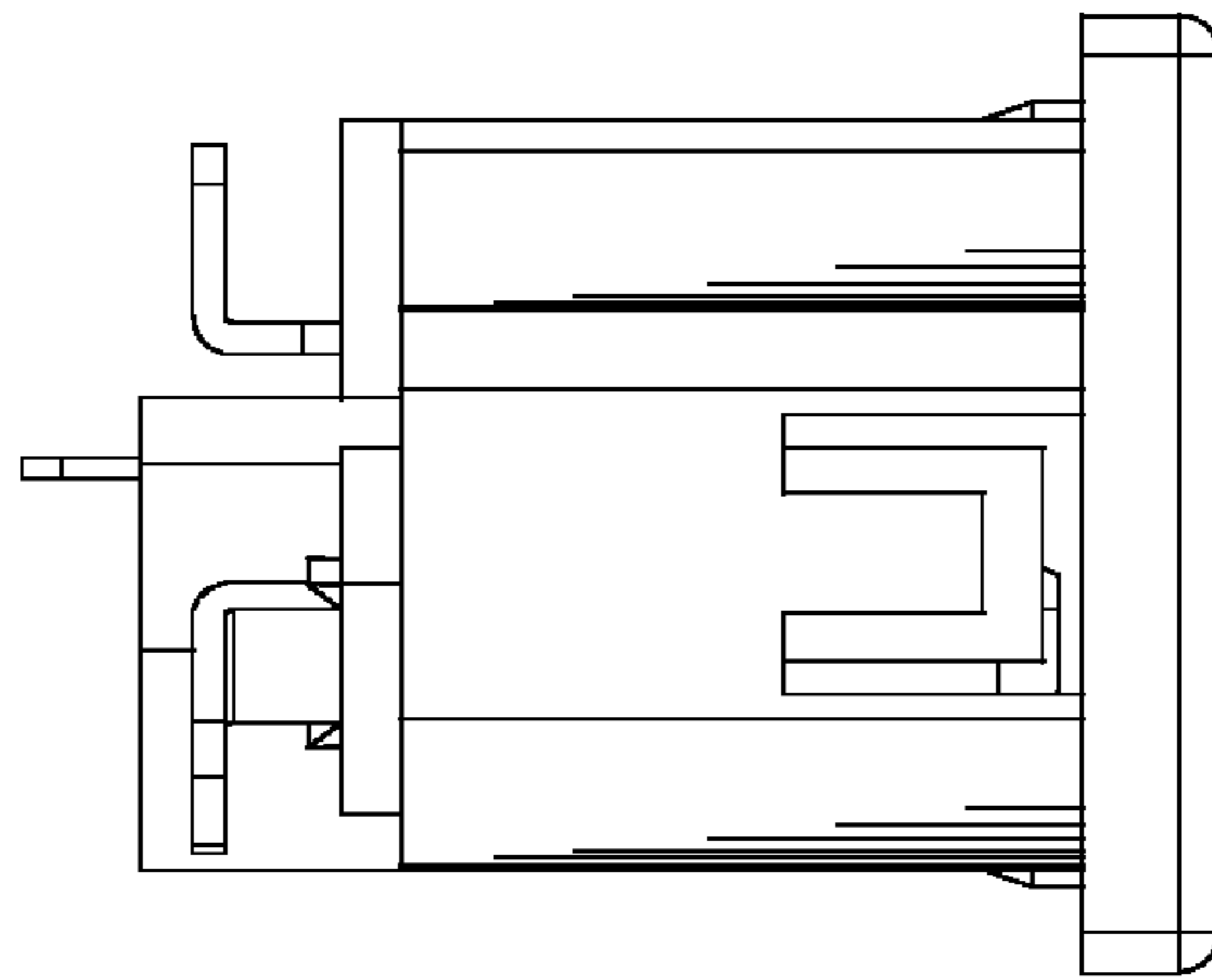


**FIG. 10**

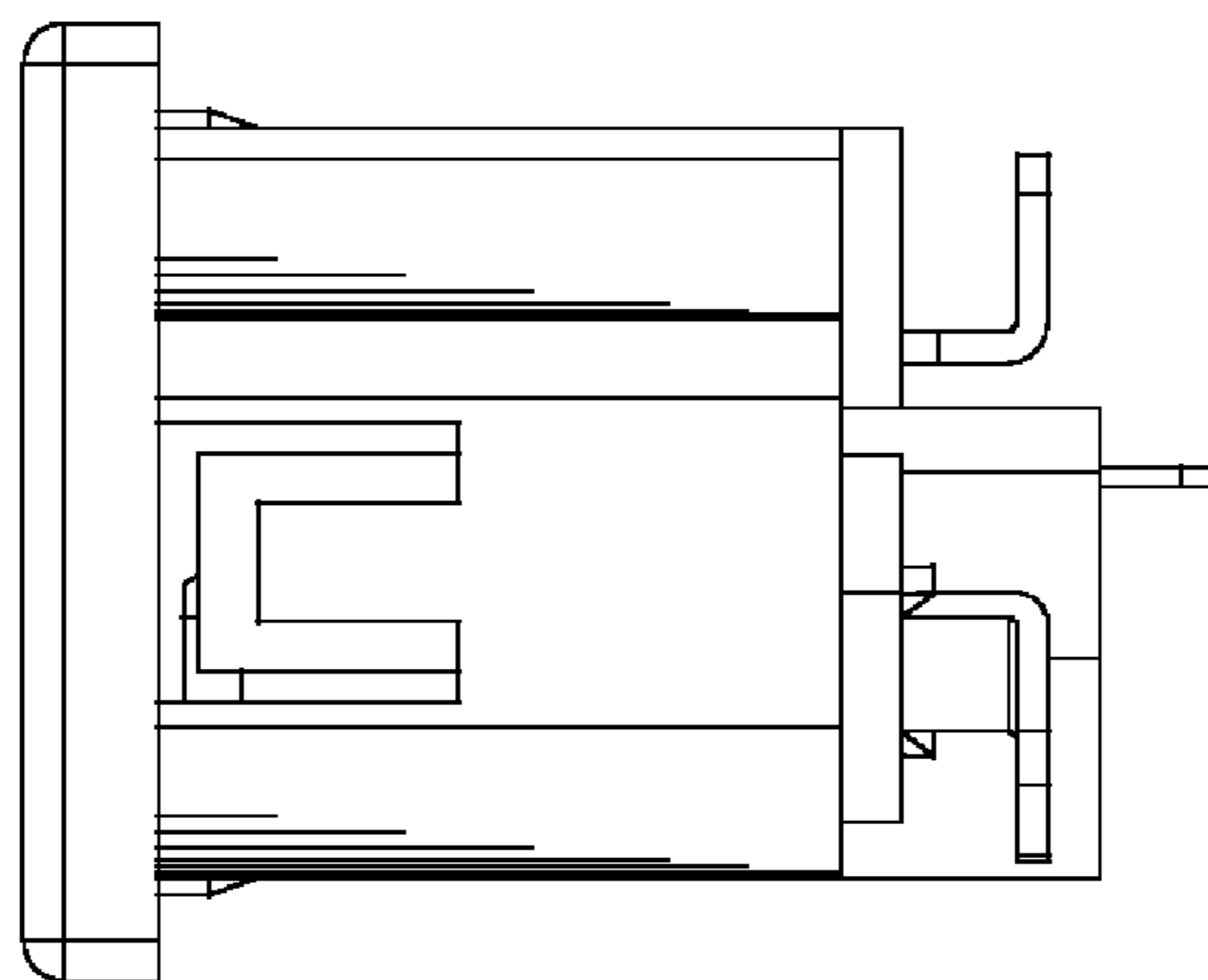


**FIG. 11**

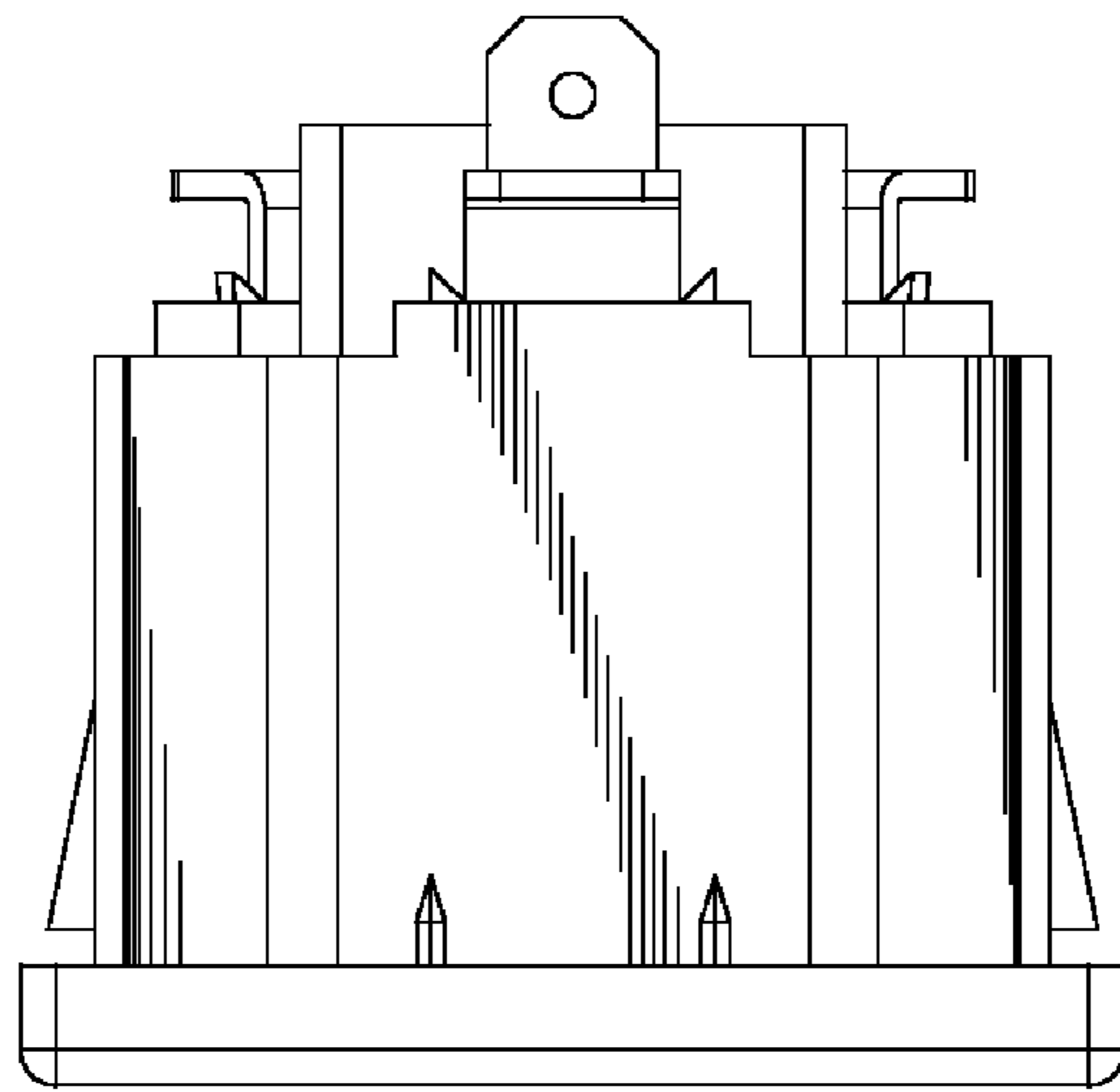




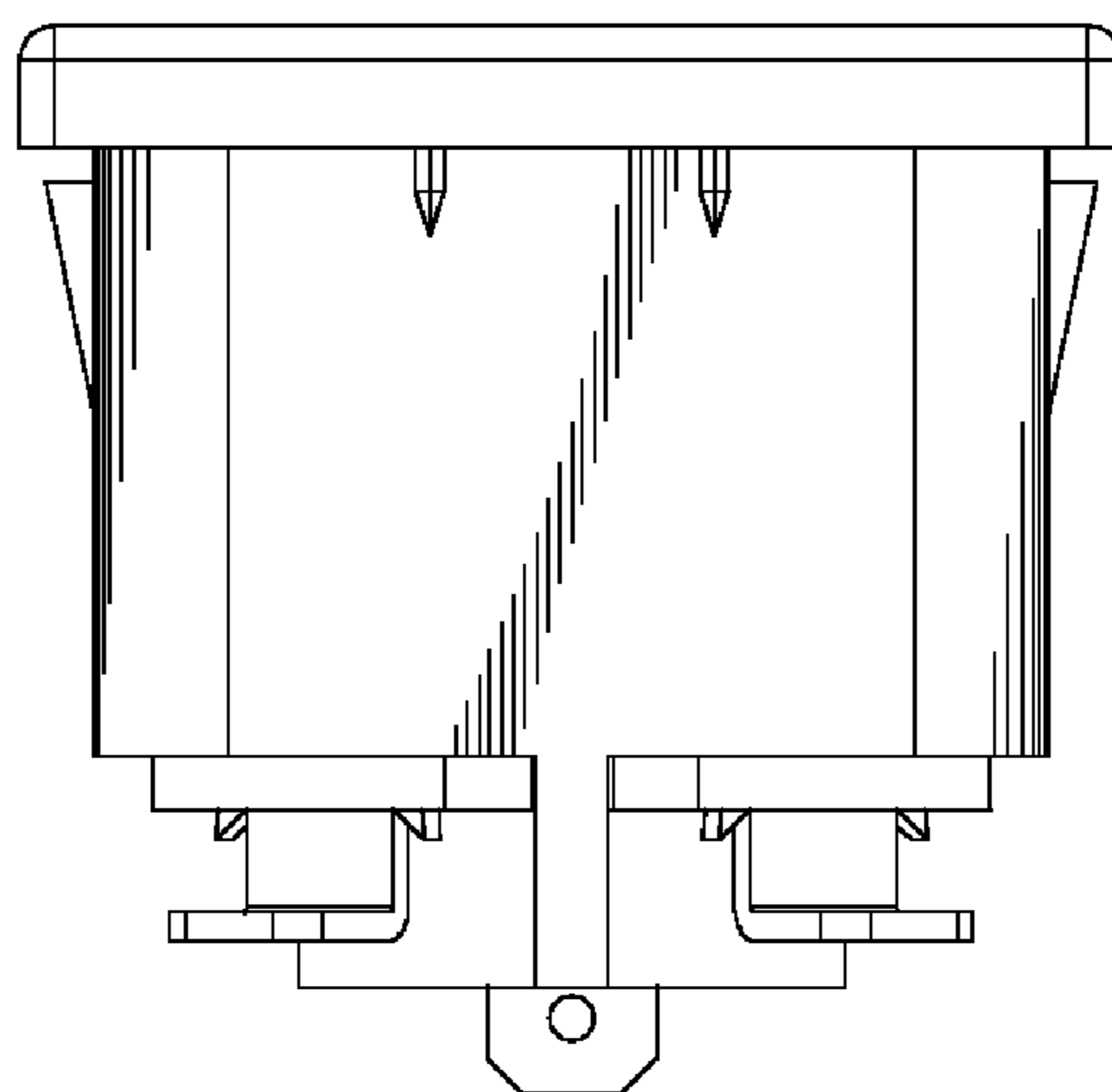
**FIG. 12**



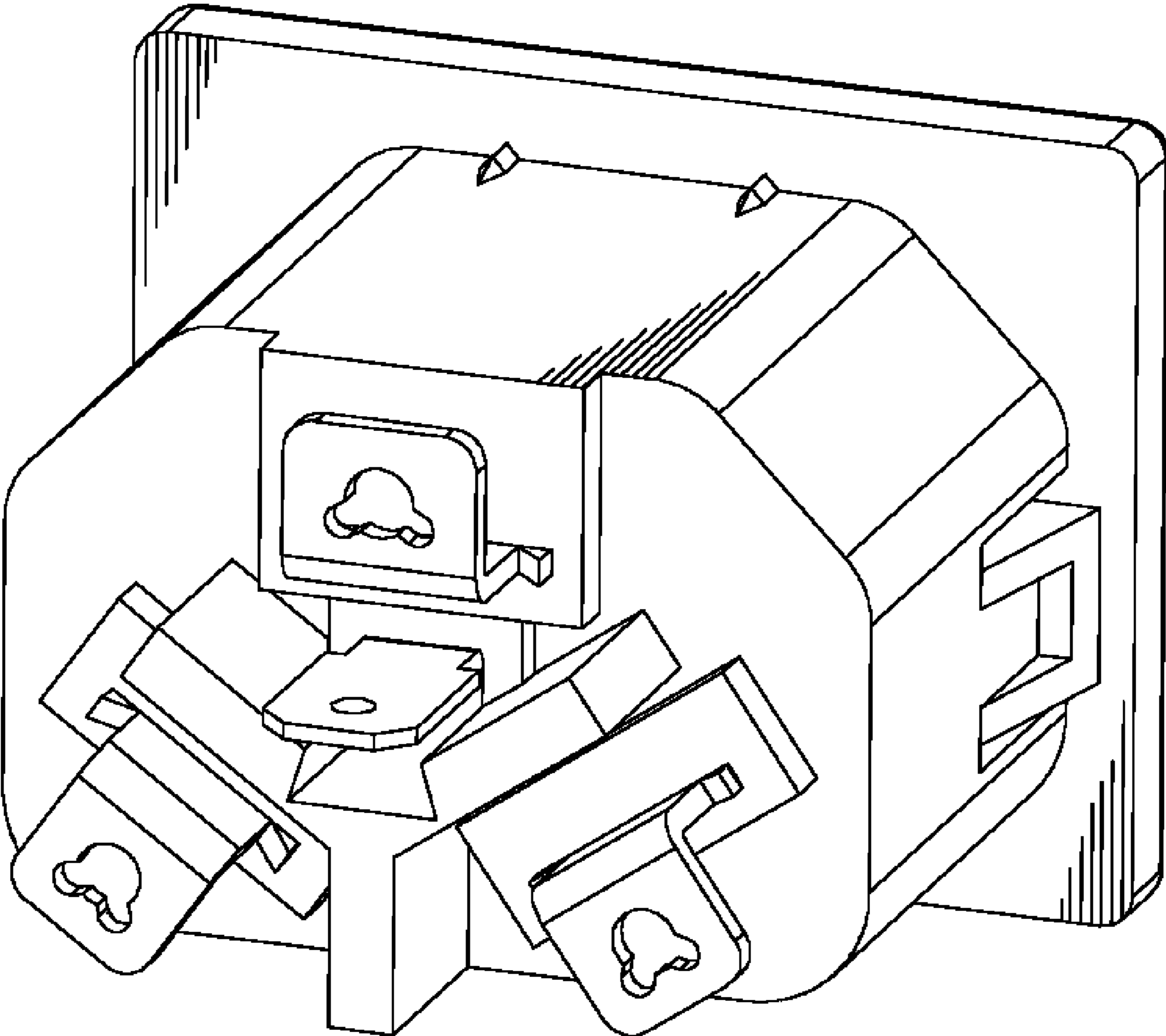
**FIG. 13**



**FIG. 14**



**FIG. 15**



**FIG. 16**