



US00D627729S

(12) **United States Design Patent**
Smith et al.

(10) **Patent No.:** **US D627,729 S**

(45) **Date of Patent:** **** *Nov. 23, 2010**

(54) **PLUG**

(75) Inventors: **Dustin Jonathan Smith**, Kitchener (CA); **Anders Fahrendorff**, Ottawa (CA); **Sergei Streltsov**, Kitchener (CA); **Todd Andrew Wood**, Guelph (CA)

(73) Assignee: **Research In Motion Limited**, Waterloo, Ontario (CA)

(*) Notice: This patent is subject to a terminal disclaimer.

(**) Term: **14 Years**

(21) Appl. No.: **29/350,978**

(22) Filed: **Nov. 25, 2009**

(51) **LOC (9) Cl.** **13-03**

(52) **U.S. Cl.** **D13/138.1; D13/108**

(58) **Field of Classification Search** D13/138.1, D13/138.2, 139.1, 139.2, 139.3, 139.4, 139.5, D13/139.6, 139.7, 139.8, 137.1, 137.2, 137.3, D13/137.4, 107, 108, 110, 133, 146, 151, D13/152, 153, 156, 162, 162.1, 163, 171, D13/177; 174/66, 202, 206, 53, 59, 60; 363/146, 363/15, 34; 320/111, 114, 115; 439/108, 439/172, 173, 344, 373

See application file for complete search history.

(56) **References Cited**

U.S. PATENT DOCUMENTS

D138,086 S * 6/1944 Ludwig D13/137.2

D258,429 S * 3/1981 Buckler D13/138.1
5,613,863 A * 3/1997 Klaus et al. 439/131
5,761,021 A * 6/1998 Yu 361/111
D572,712 S * 7/2008 Ledbetter et al. D14/432
D587,192 S * 2/2009 McGinley et al. D13/110
D593,505 S * 6/2009 Fimbres D13/156
D595,224 S * 6/2009 Seil et al. D13/110
D596,572 S * 7/2009 Wu et al. D13/138.1
D601,501 S * 10/2009 Kaibara et al. D13/110
D610,992 S * 3/2010 Fahrendorff et al. D13/138.1
D610,993 S * 3/2010 Fahrendorff et al. D13/138.1
D611,415 S * 3/2010 Andre et al. D13/138.1

* cited by examiner

Primary Examiner—Angela J Lee

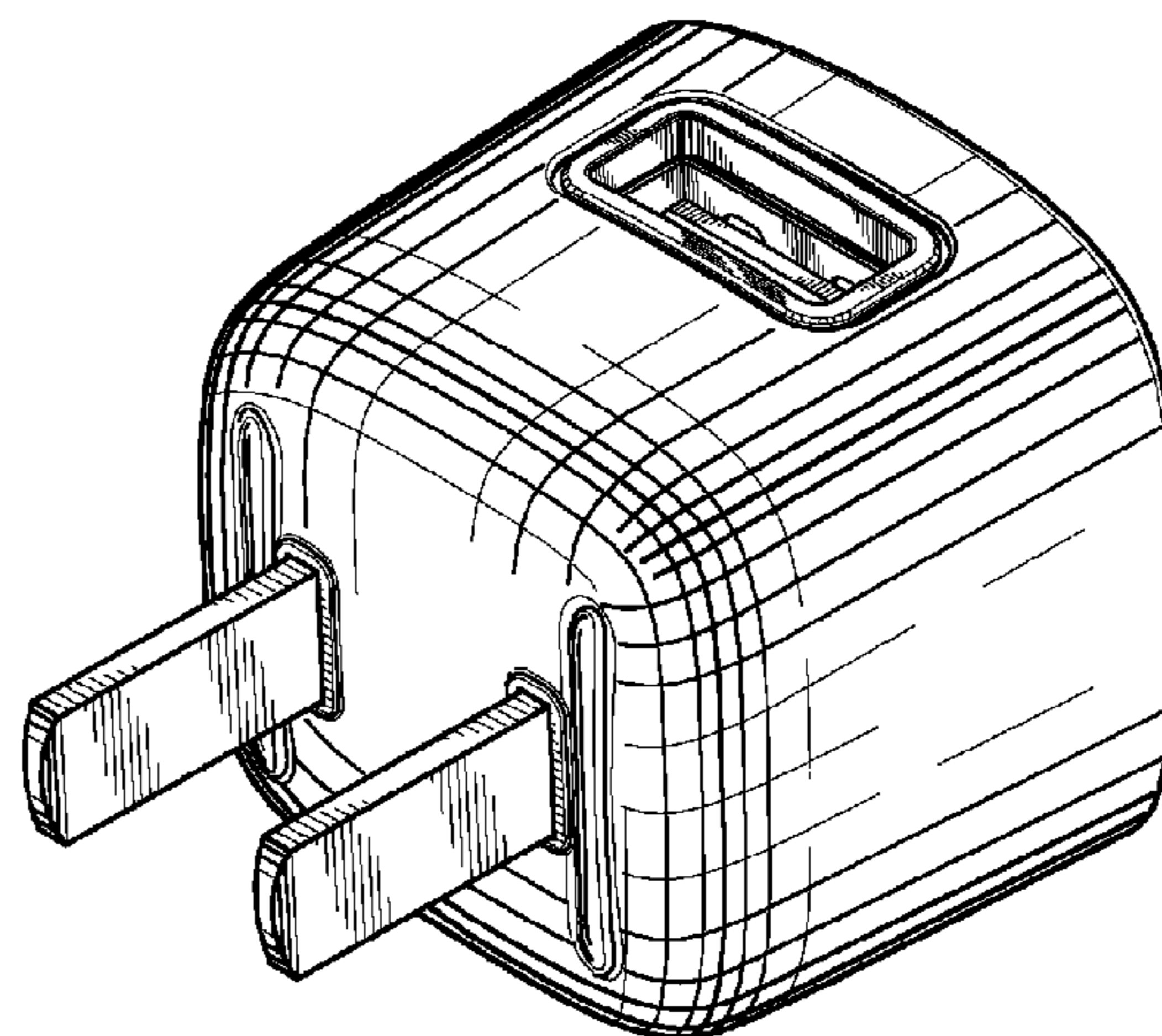
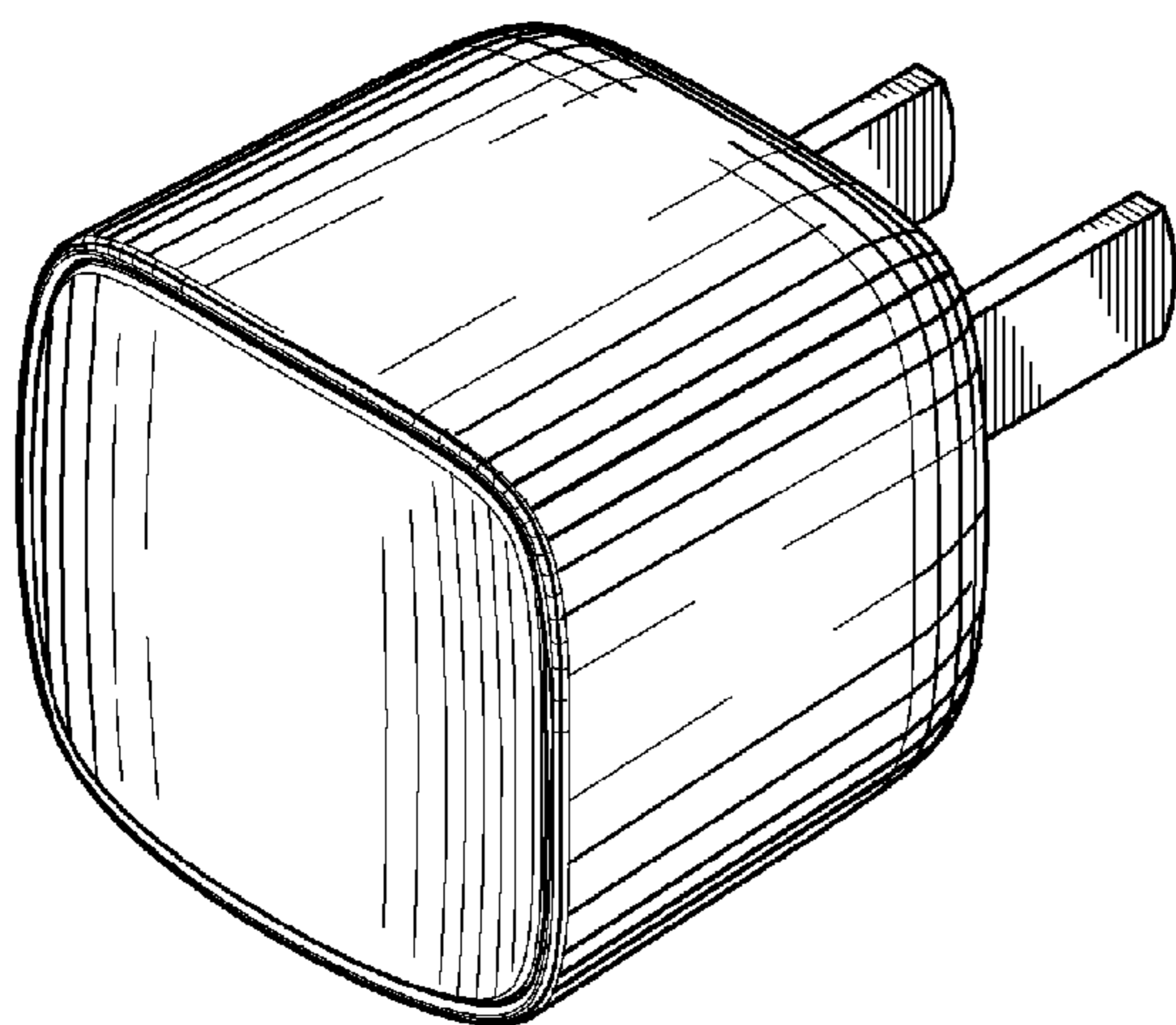
(57) **CLAIM**

We claim the ornamental design for a plug, as shown and described.

DESCRIPTION

FIG. 1 is a front perspective view of a plug;
FIG. 2 is a back perspective view of the plug;
FIG. 3 is a front elevational view thereof;
FIG. 4 is a back elevational view thereof;
FIG. 5 is a bottom plan view thereof;
FIG. 6 is a top plan view thereof;
FIG. 7 is a left elevational view thereof; and,
FIG. 8 is a right elevational view thereof.

1 Claim, 4 Drawing Sheets



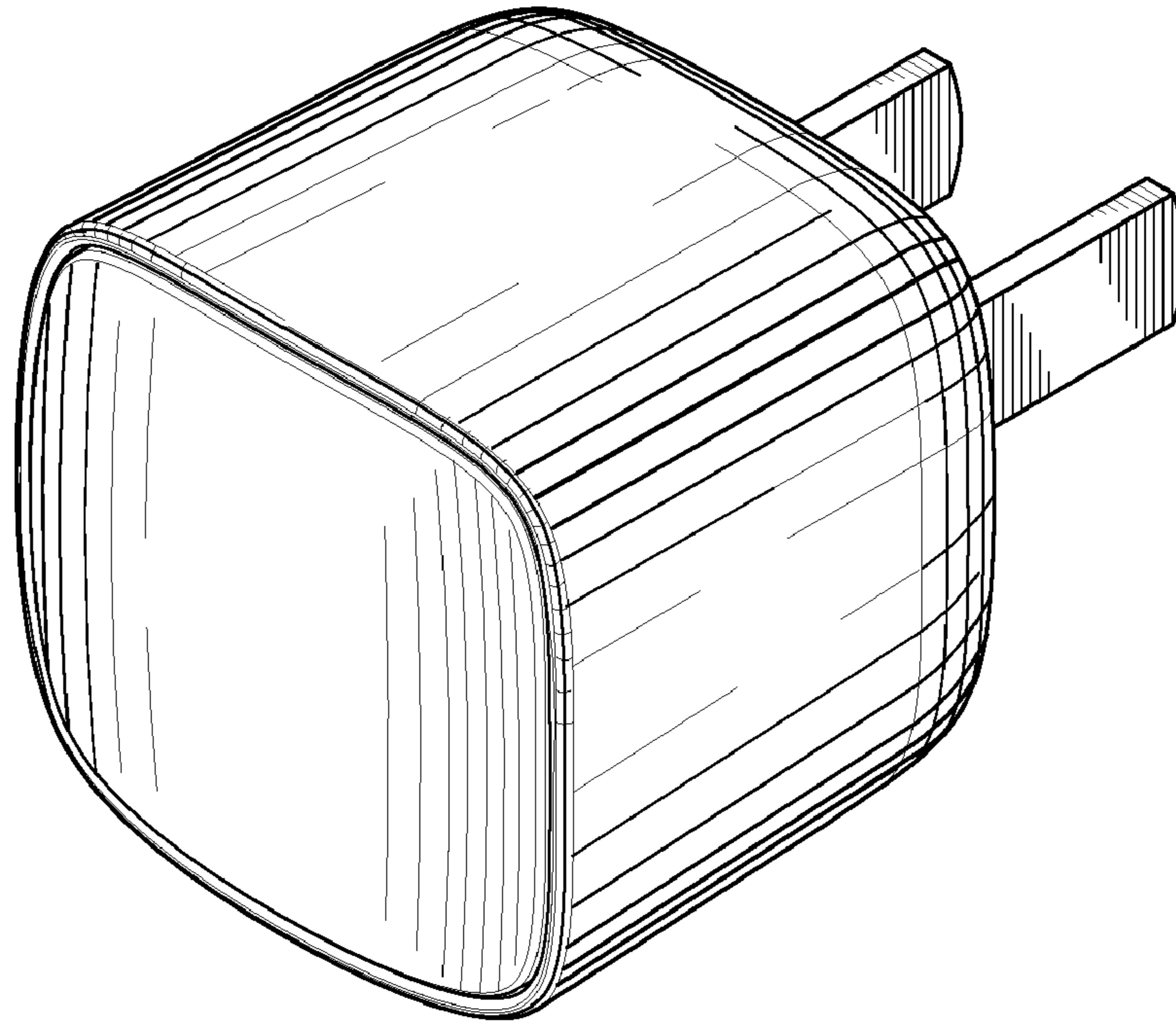


FIG.1

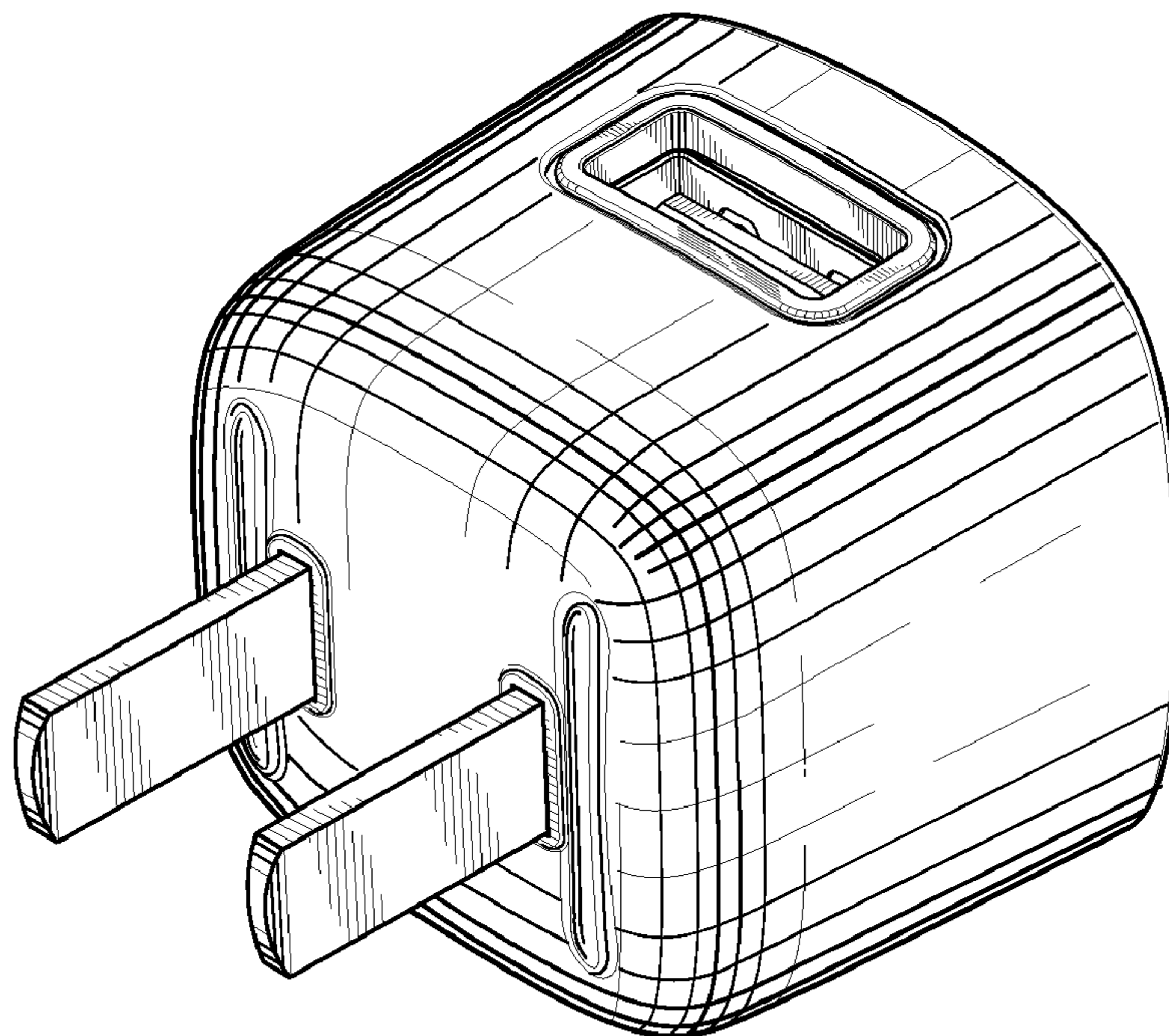


FIG.2

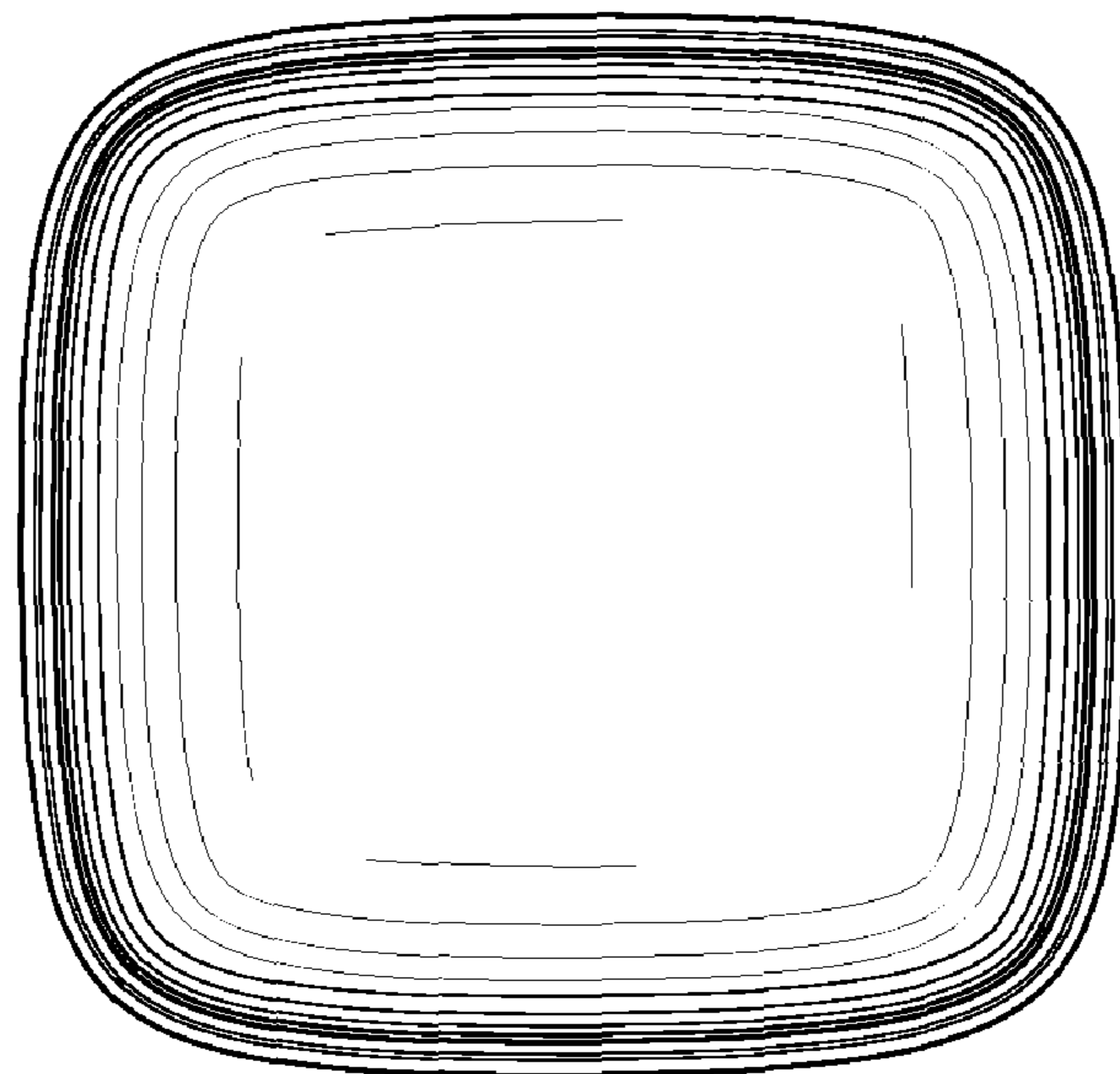


FIG.3

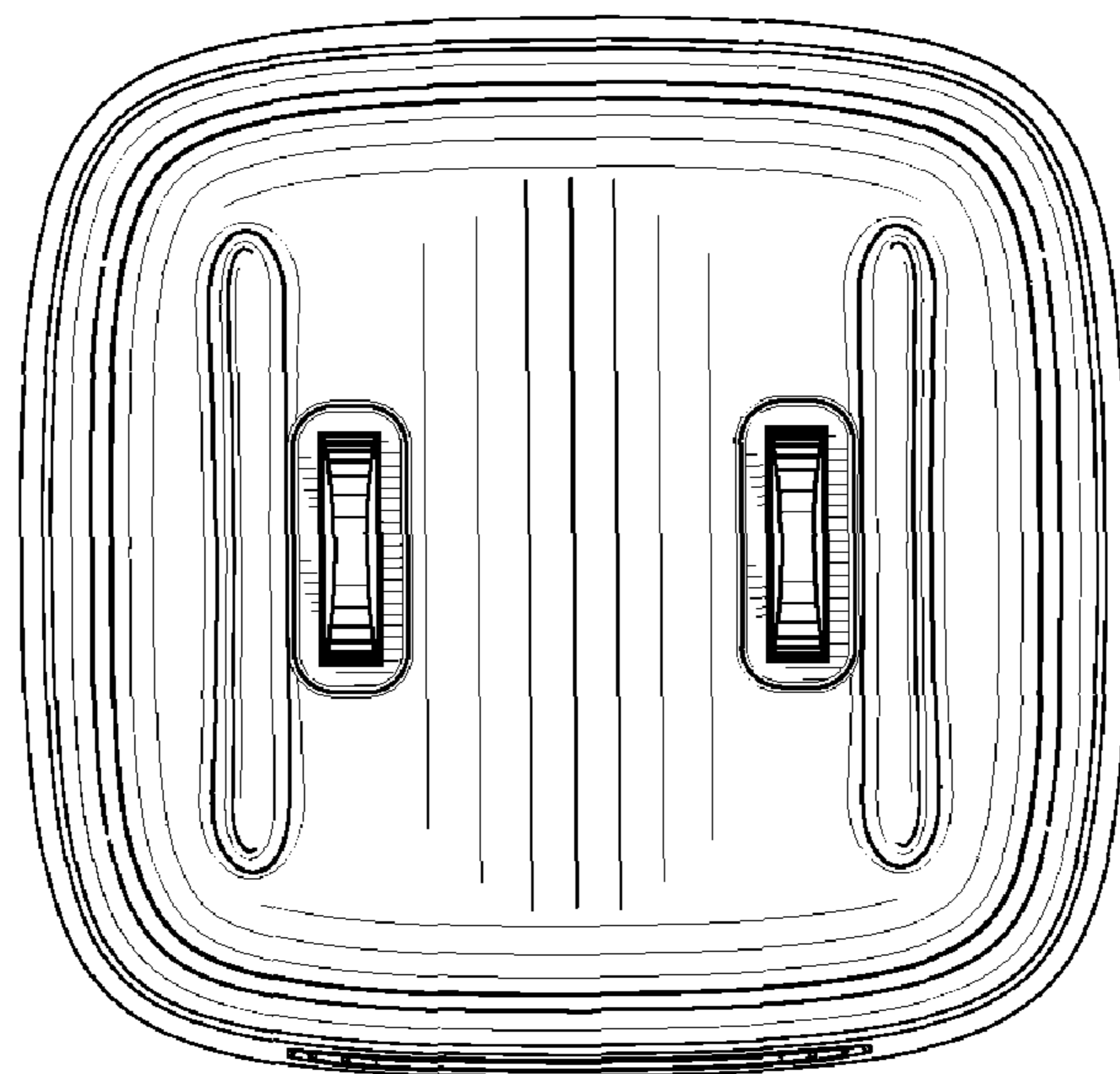


FIG.4

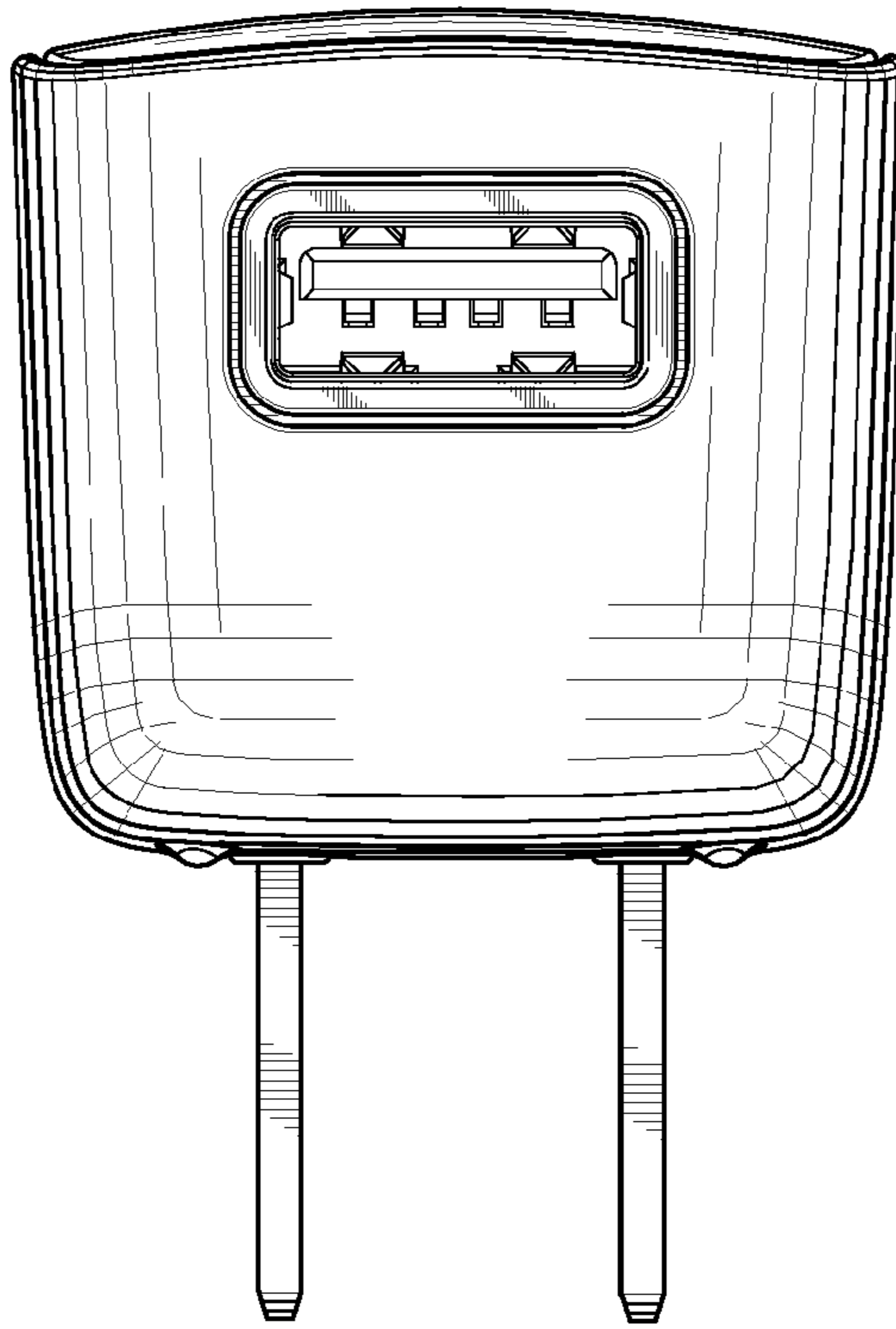


FIG.5

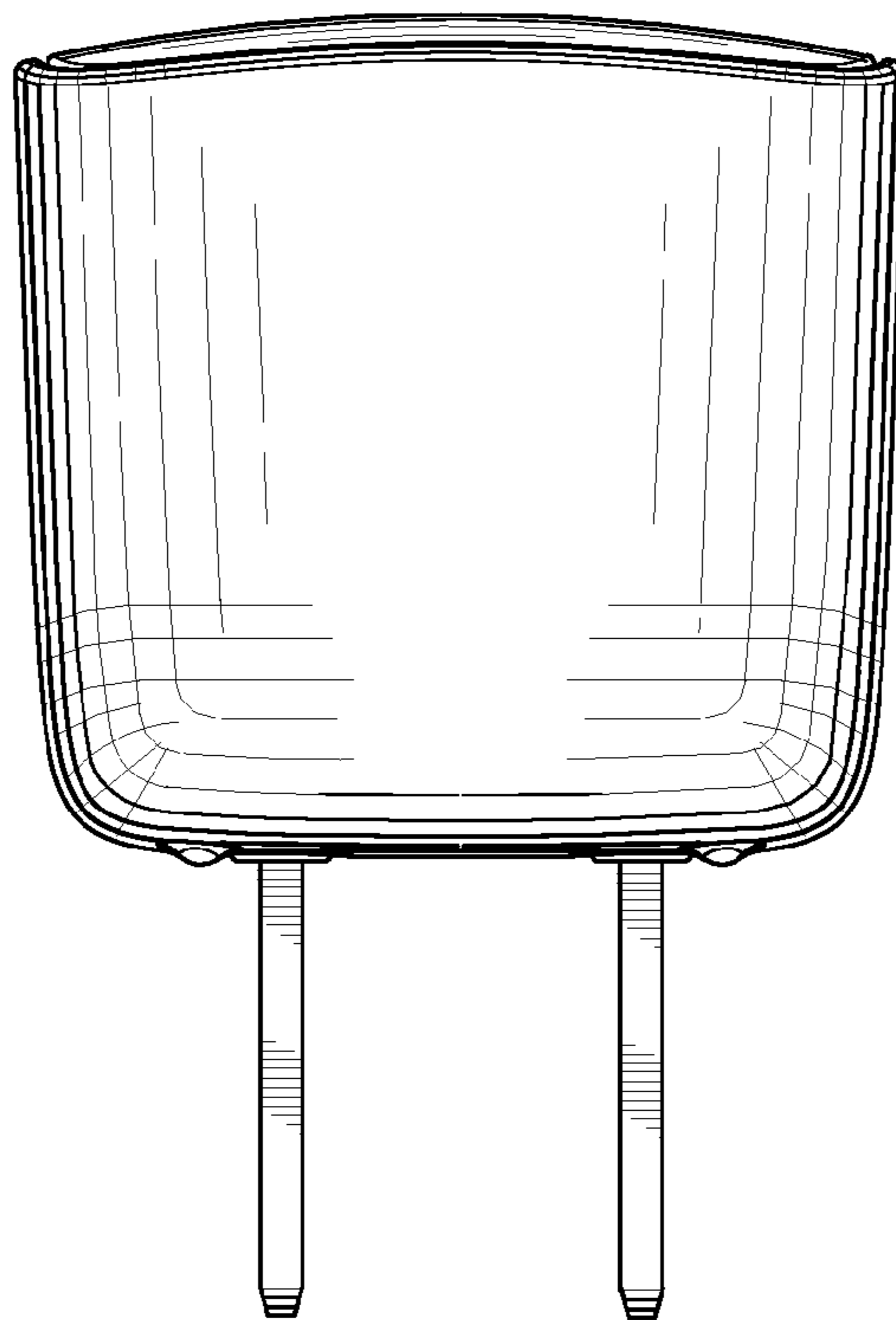


FIG.6

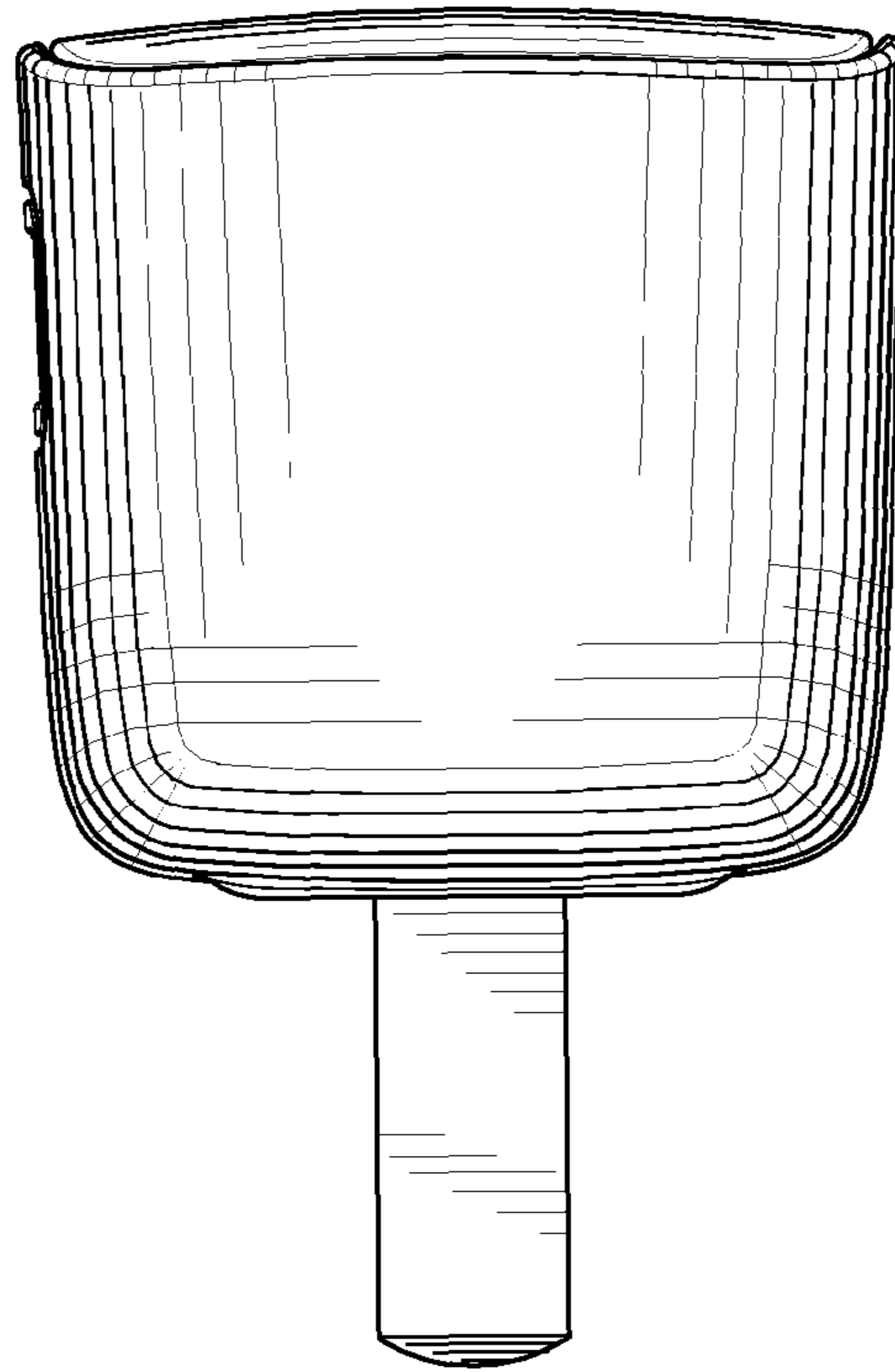


FIG. 7

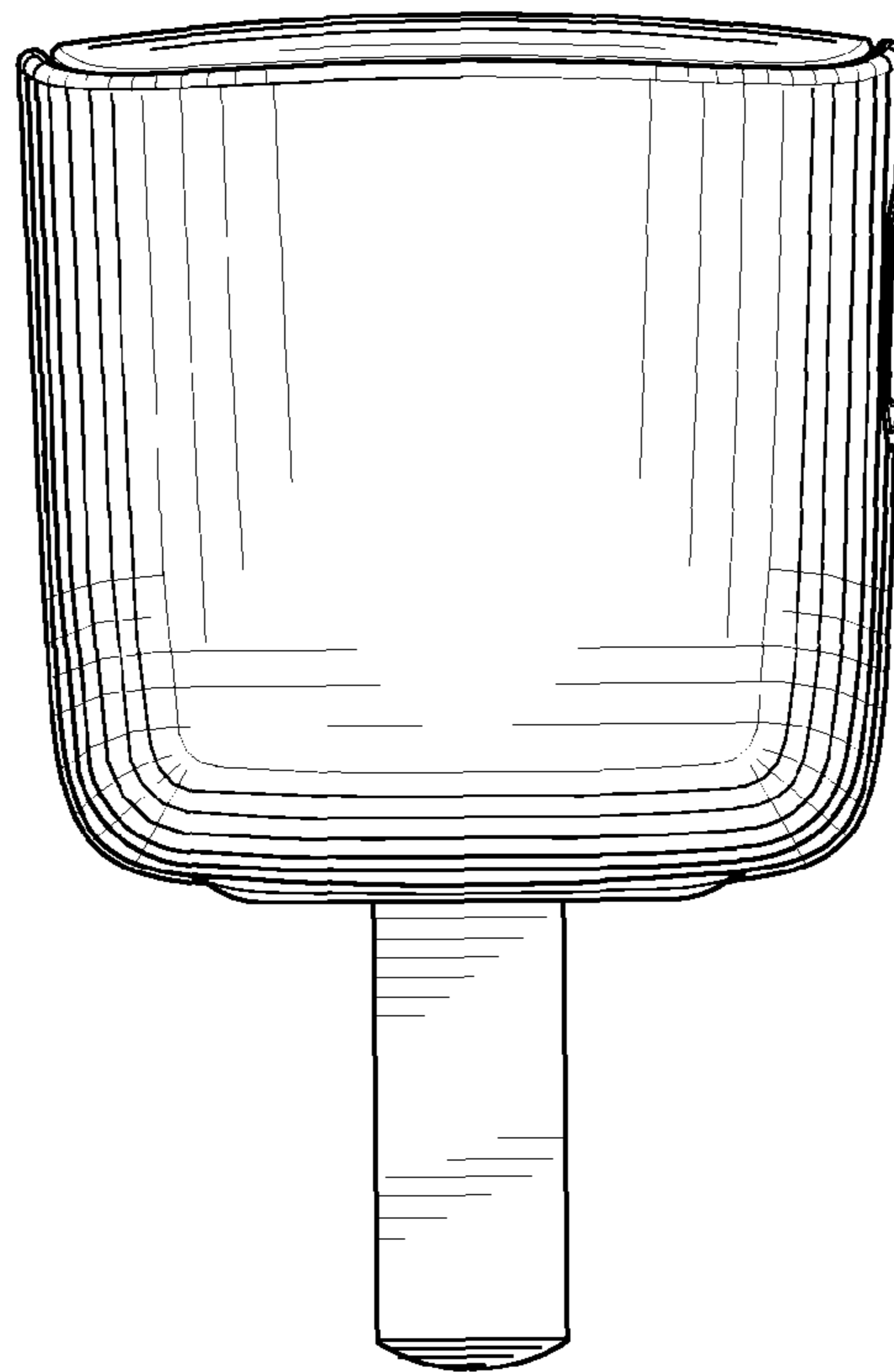


FIG. 8