



US00D627725S

(12) **United States Design Patent**
Gebert

(10) **Patent No.:** **US D627,725 S**

(45) **Date of Patent:** **** Nov. 23, 2010**

(54) **ROUND HOUSING FOR A DC SWITCH FOR AN INVERTER**

(75) Inventor: **Bernd Gebert**, Niestetal (DE)

(73) Assignee: **SMA Solar Technology AG**, Niestetal (DE)

(**) Term: **14 Years**

(21) Appl. No.: **29/343,790**

(22) Filed: **Sep. 18, 2009**

(51) **LOC (9) Cl.** **13-02**

(52) **U.S. Cl.** **D13/118; D13/110**

(58) **Field of Classification Search** D13/110,
D13/108, 118, 123, 162, 169, 174, 199; D8/307,
D8/308, 310-314; D14/257, 432, 438; 16/404;
334/7, 10; 337/186; 361/600, 601, 730;
363/141, 142

See application file for complete search history.

(56) **References Cited**

U.S. PATENT DOCUMENTS

D132,433	S	*	5/1942	Pellegrin	D8/311
D159,415	S	*	7/1950	Hitchcock	D8/311
4,872,102	A	*	10/1989	Getter	363/141
D398,901	S	*	9/1998	Roman	D13/123
D413,567	S	*	9/1999	Person et al.	D13/110
D427,146	S	*	6/2000	Wei	D13/110

D444,049	S	*	6/2001	Decosse	D8/311
D457,416	S	*	5/2002	Caspersz	D8/311
D484,465	S	*	12/2003	Ventress et al.	D13/162
D484,466	S	*	12/2003	Ventress et al.	D13/162
D507,528	S	*	7/2005	Feldman et al.	D13/110
D564,456	S	*	3/2008	Weiler et al.	D13/162
2006/0030971	A1	*	2/2006	Nelson et al.	700/284
2007/0208462	A1	*	9/2007	Kah	700/284

* cited by examiner

Primary Examiner—Prabhakar Deshmukh

Assistant Examiner—Derrick Holland

(74) *Attorney, Agent, or Firm*—Thomas R. Vigil

(57) **CLAIM**

The ornamental design for a round housing for a DC switch for an inverter, as shown and described.

DESCRIPTION

FIG. 1 is a front perspective view of a round housing for a DC switch for an inverter showing my new design;

FIG. 2 is a front view thereof;

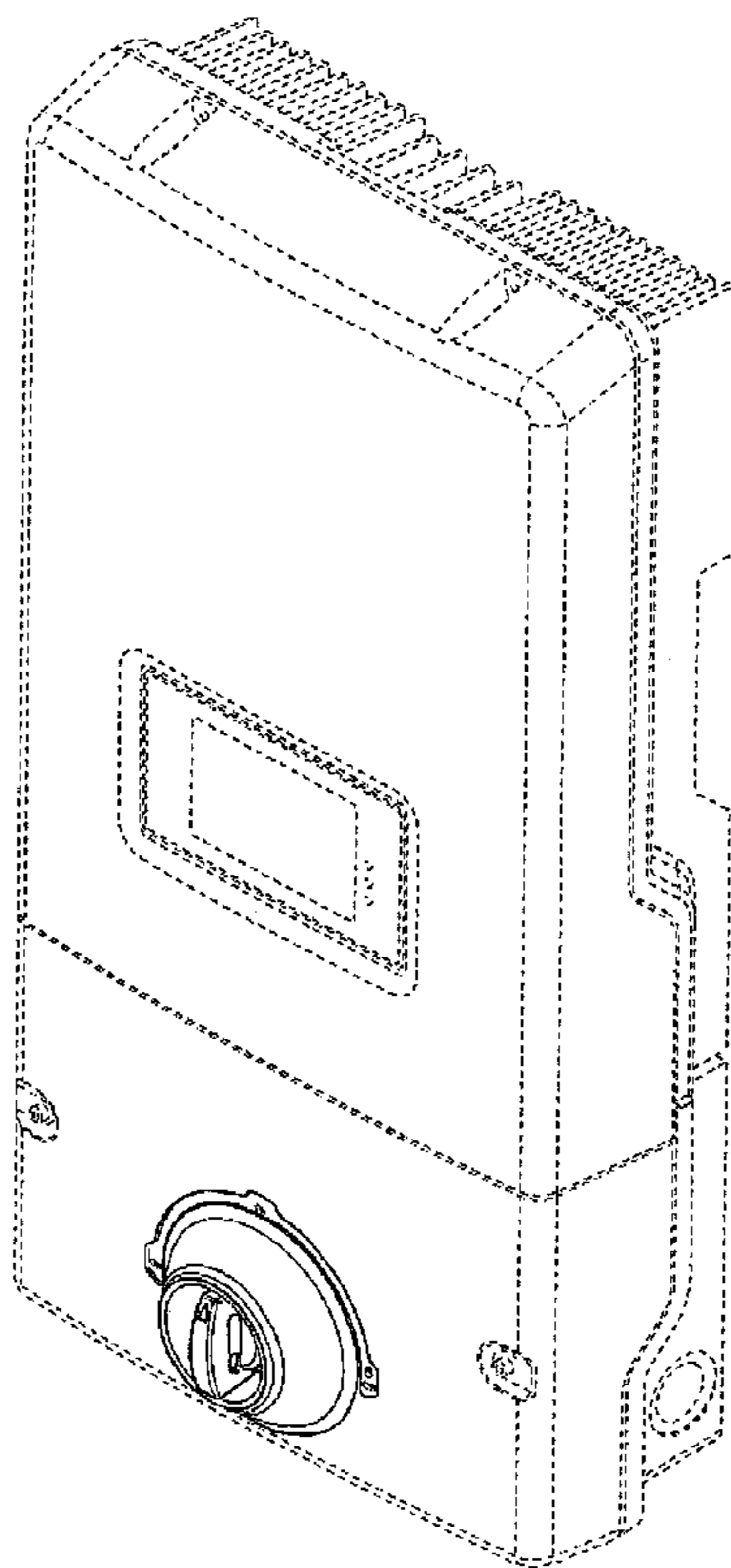
FIG. 3 is a side view thereof;

FIG. 4 is a bottom plan view thereof; and,

FIG. 5 is a top plan view thereof.

The broken lines shown represent unclaimed subject matter and form no part of the claimed design.

1 Claim, 5 Drawing Sheets



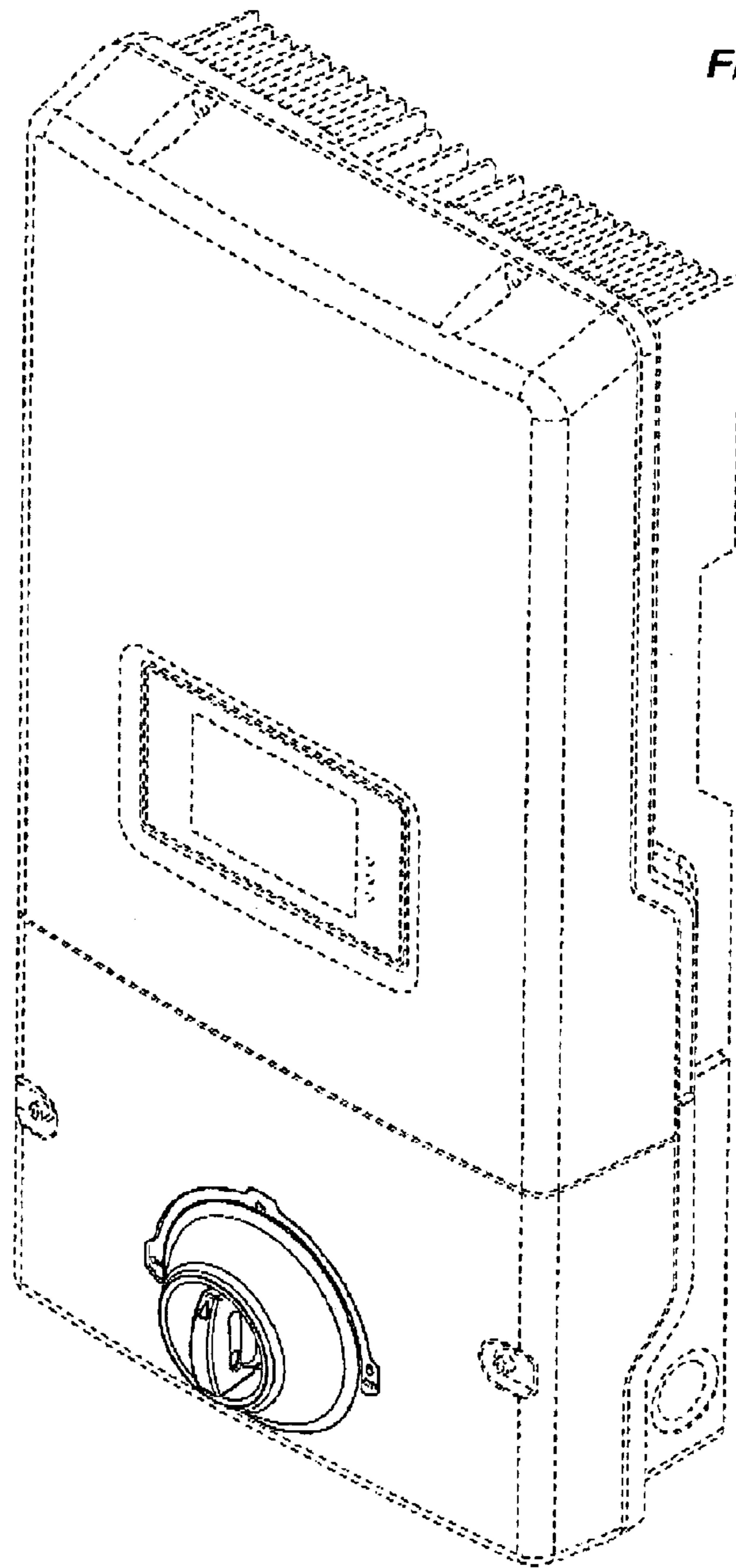


FIG. 1

FIG. 2

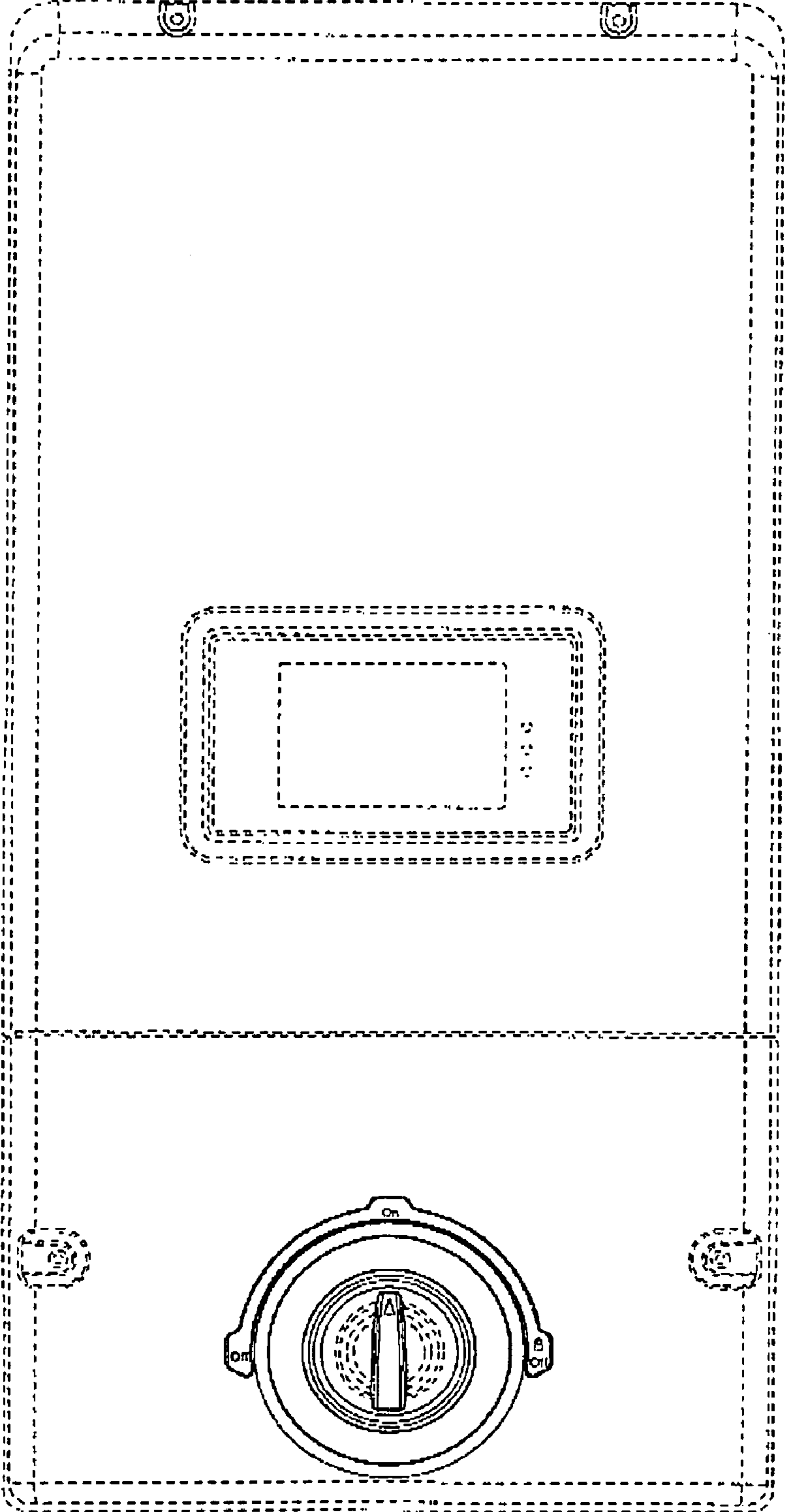


FIG. 3

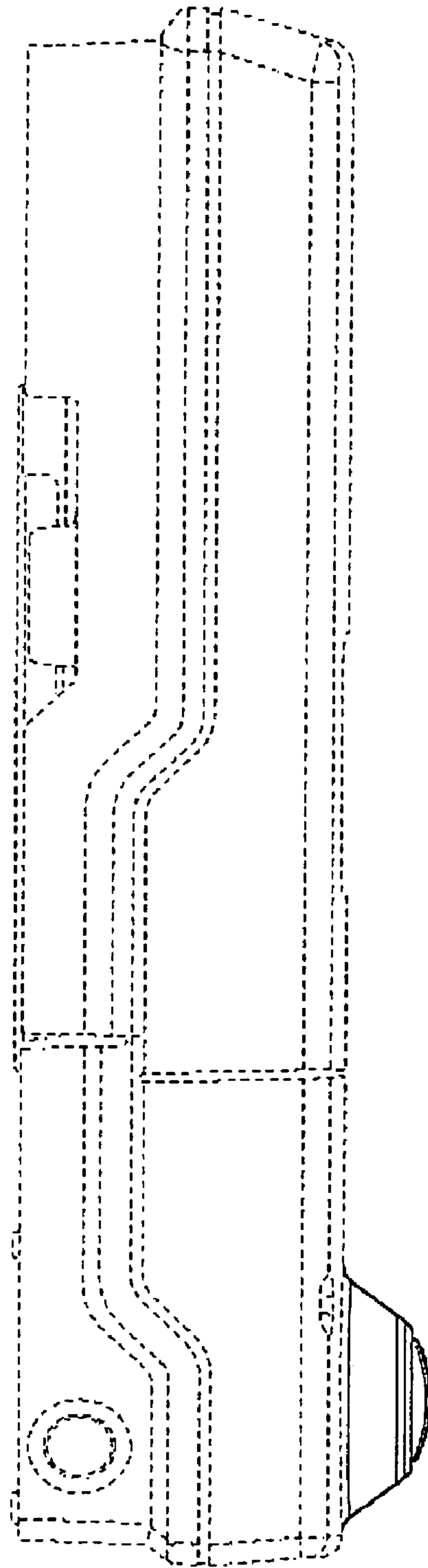


FIG. 4

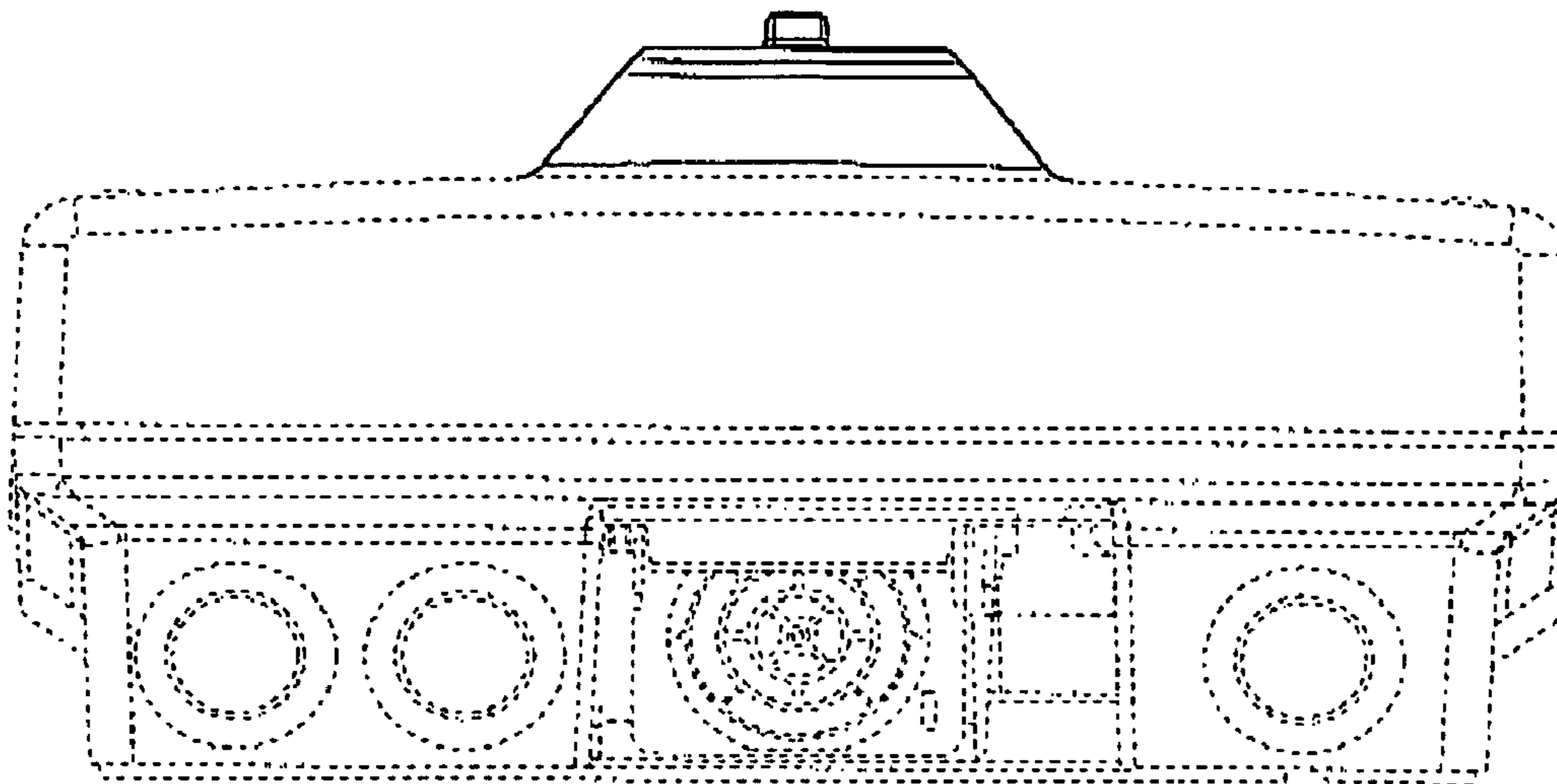


FIG. 5

