



US00D627724S

(12) **United States Design Patent**
Cai

(10) **Patent No.:** **US D627,724 S**

(45) **Date of Patent:** **** Nov. 23, 2010**

(54) **GENERATOR**

D518,771 S * 4/2006 Xiao D13/116
D521,929 S * 5/2006 Xiao D13/116

(76) Inventor: **Xiao Ping Cai**, 1040 South Rockefeller Avenue, Ontario, CA (US) 91761

* cited by examiner

(**) Term: **14 Years**

Primary Examiner—Prabhakar Deshmukh

Assistant Examiner—Derrick Holland

(21) Appl. No.: **29/314,187**

(74) *Attorney, Agent, or Firm*—Raymond Y. Chan; David and Raymond Patent Firm

(22) Filed: **Mar. 12, 2009**

(57) **CLAIM**

(51) **LOC (9) Cl.** **13-01**

(52) **U.S. Cl.** **D13/116**

(58) **Field of Classification Search** D13/116,
D13/112, 114, 122; 290/1 A, 1 B; 307/64,
307/150, 151, 153

The ornamental design for a generator, as shown and described.

See application file for complete search history.

DESCRIPTION

(56) **References Cited**

FIG. 1 is a perspective view of generator showing my new design,

FIG. 2 is a front view thereof.

FIG. 3 is a rear view thereof.

FIG. 4 is a right view thereof.

FIG. 5 is a left view thereof; and,

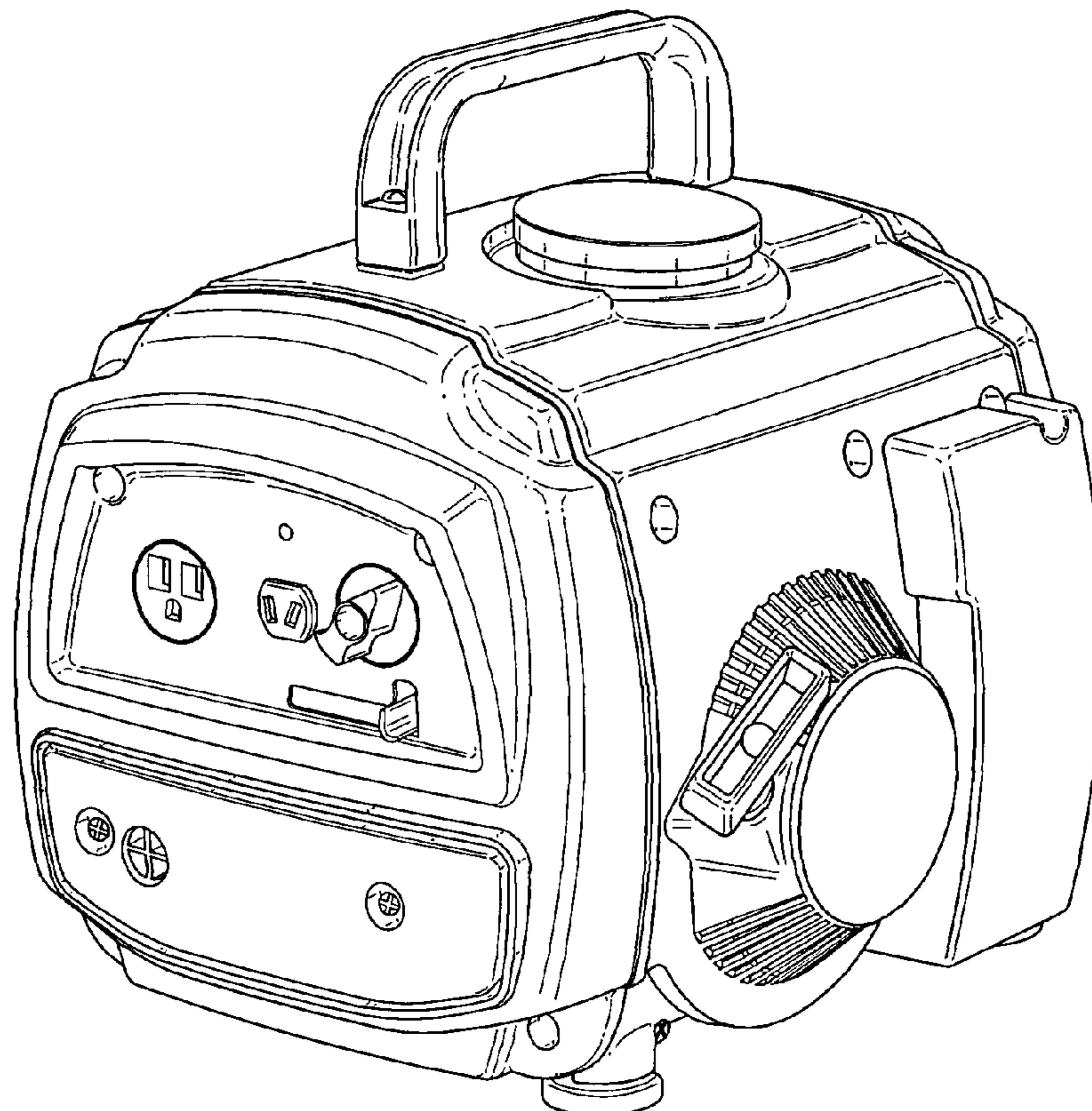
FIG. 6 is a top perspective view thereof.

The broken lines shown are for illustrative purposes only and form no part of the claimed design.

U.S. PATENT DOCUMENTS

D282,252 S *	1/1986	Yamaguchi et al.	D13/116
D291,432 S *	8/1987	Yaguchi	D13/116
D305,880 S *	2/1990	Ito et al.	D13/116
D314,743 S *	2/1991	Ishii	D13/116
D335,862 S *	5/1993	Kusunoki et al.	D13/116
D417,651 S *	12/1999	Ohsumi	D13/116
6,091,160 A *	7/2000	Kouchi et al.	290/1 A
D437,825 S *	2/2001	Imai	D13/116
D477,569 S *	7/2003	Iwatate et al.	D13/116

1 Claim, 6 Drawing Sheets



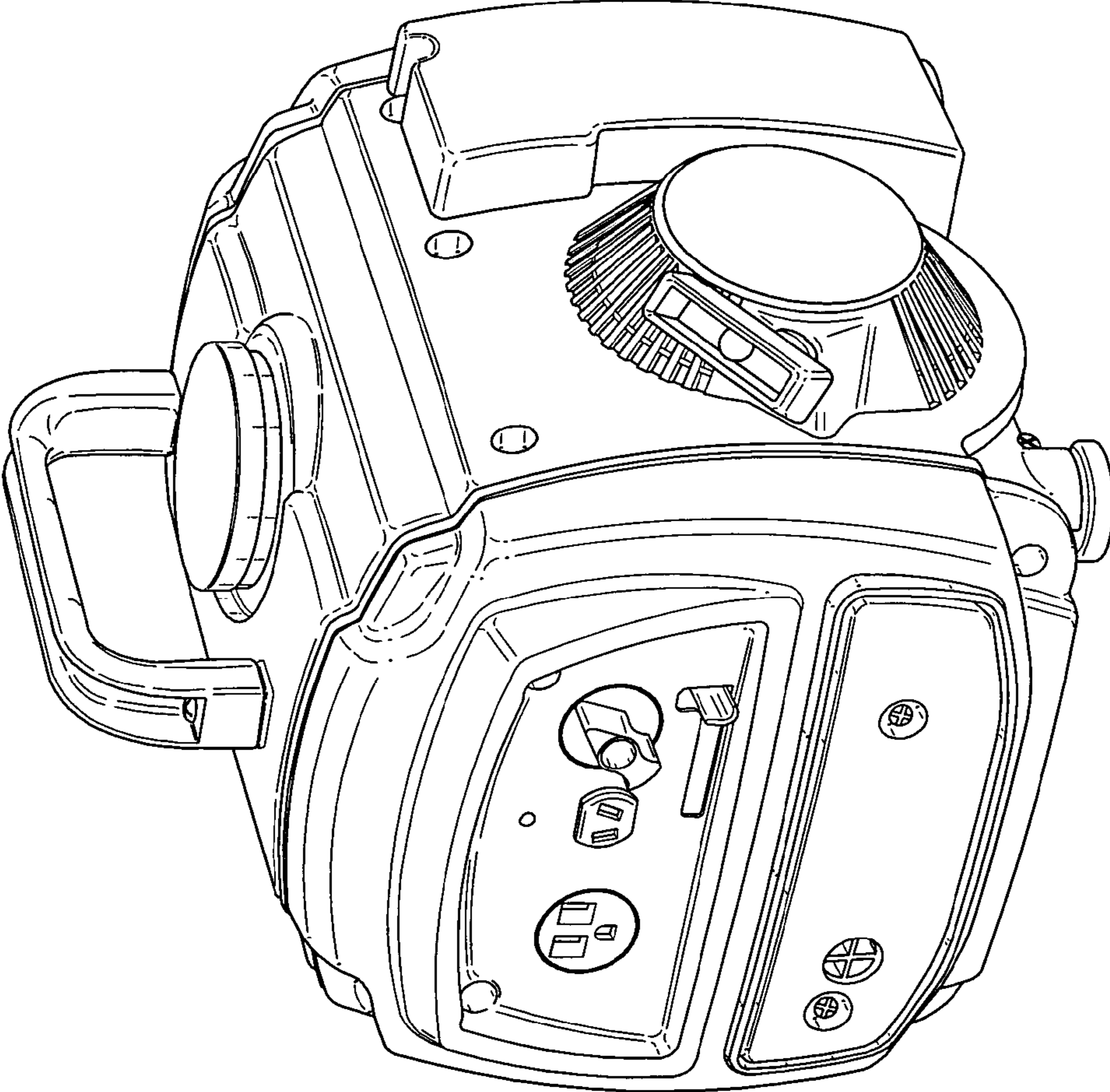


FIG.1

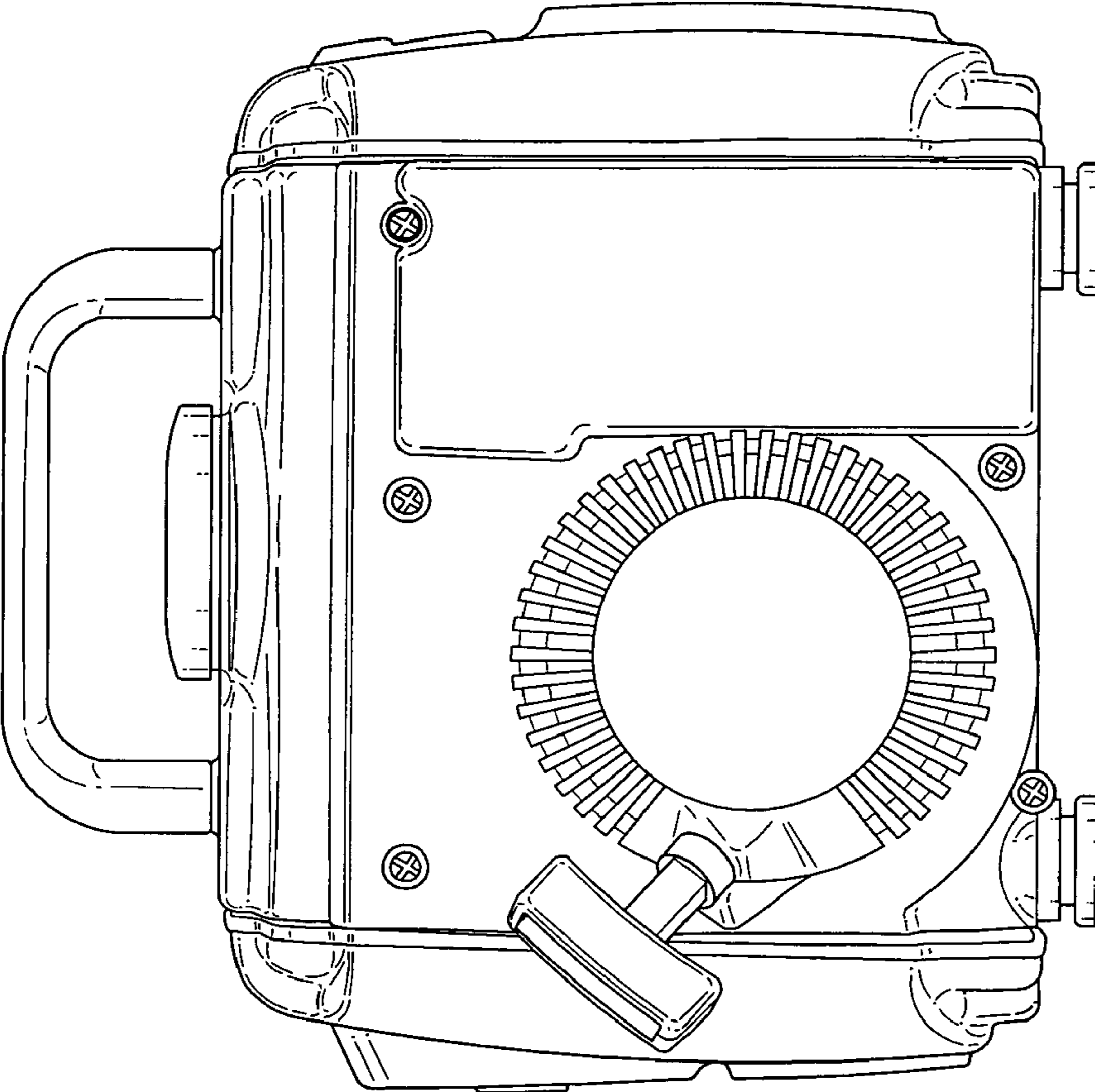


FIG.2

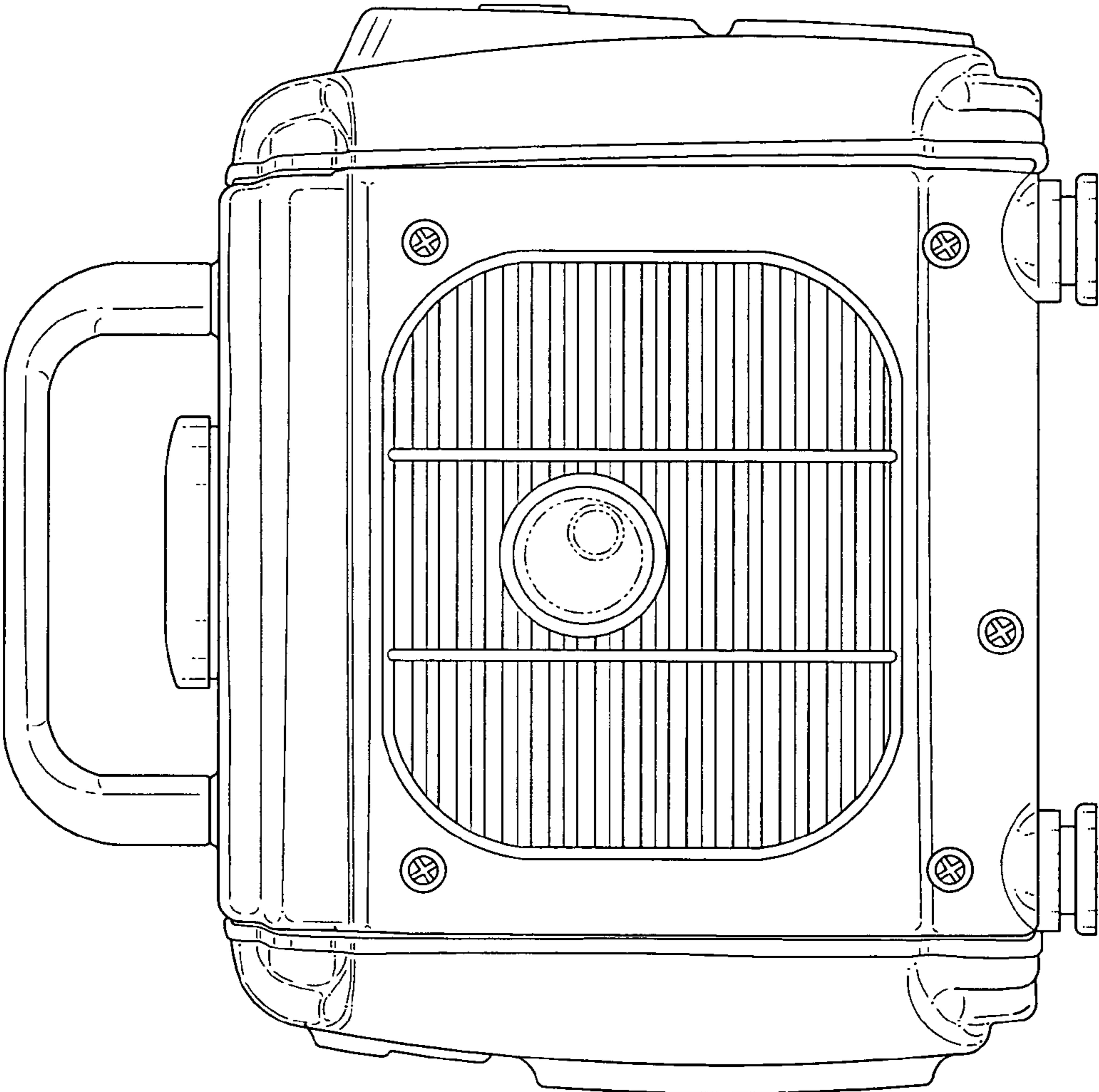


FIG.3

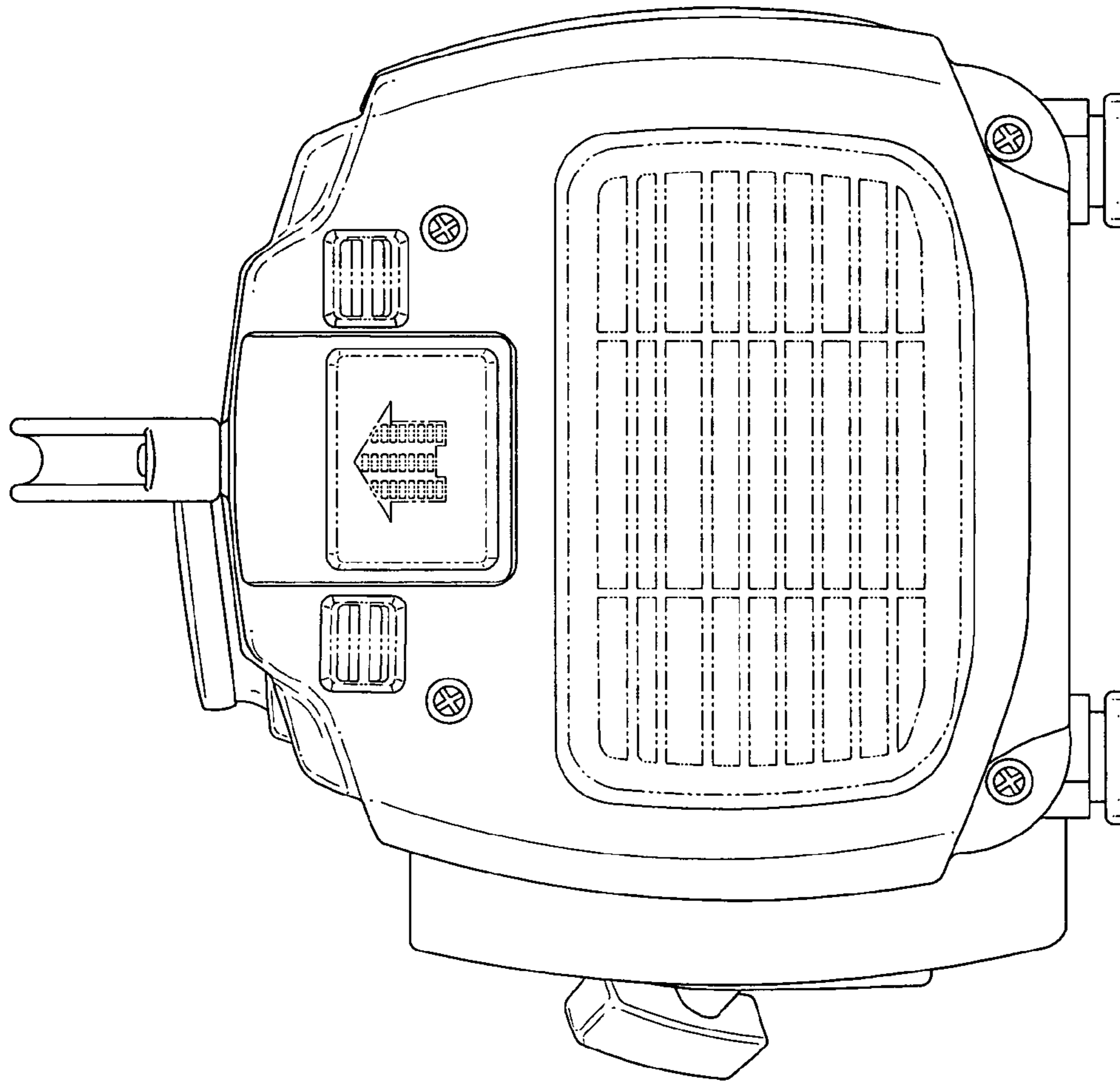


FIG.4

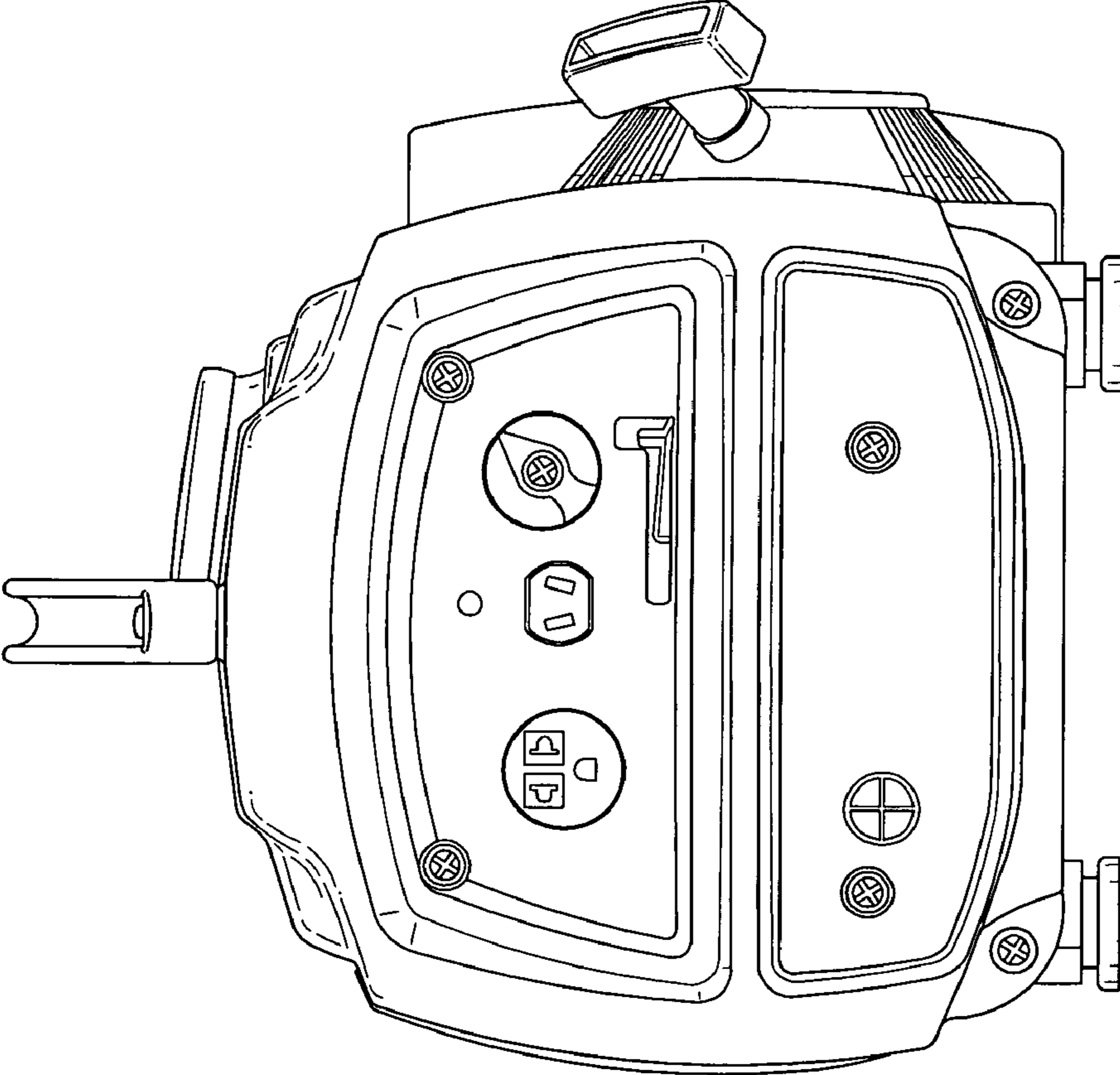


FIG.5

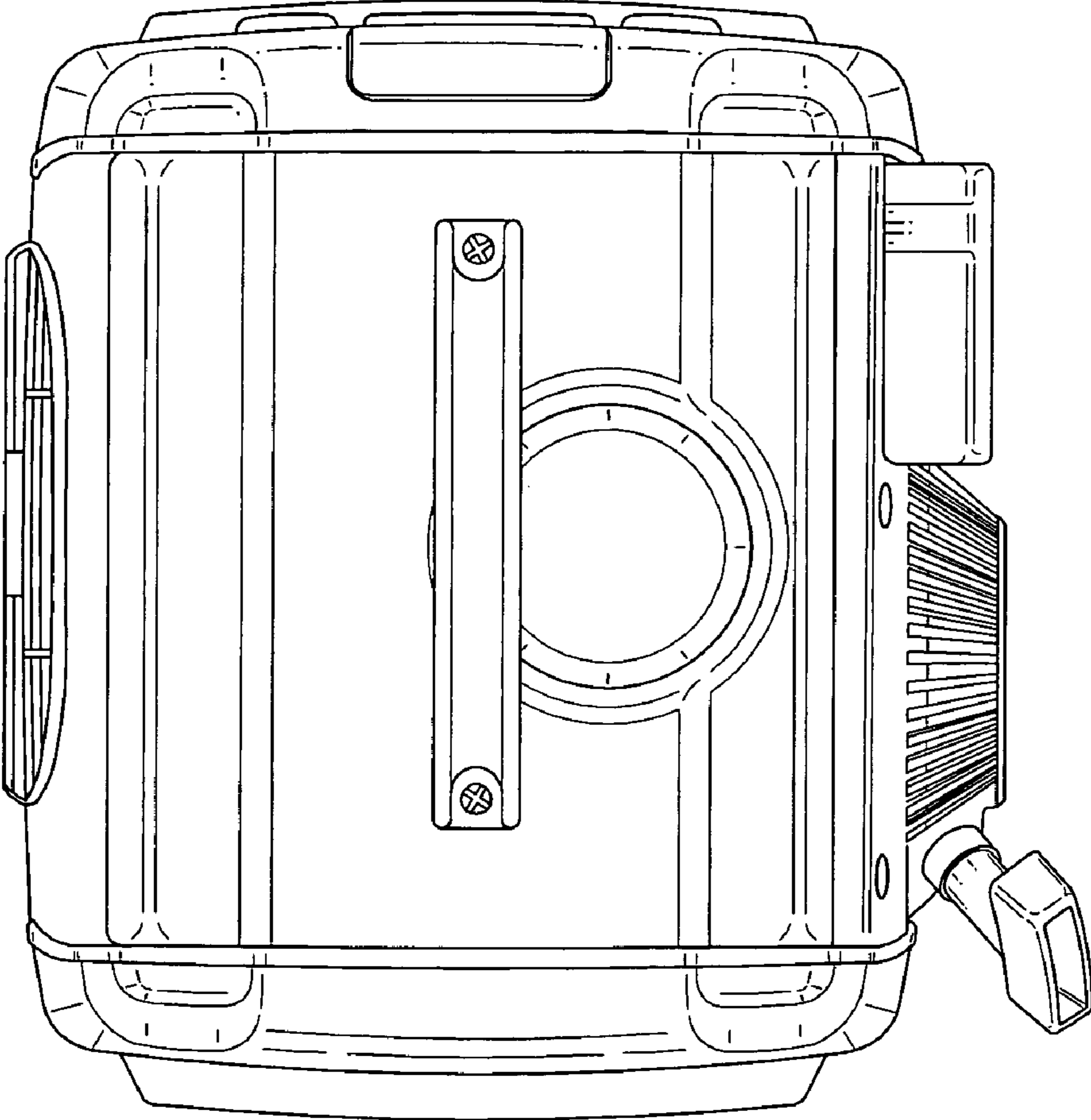


FIG.6