



US00D627720S

(12) **United States Design Patent**
DuMelle et al.

(10) **Patent No.:** **US D627,720 S**
(45) **Date of Patent:** **** Nov. 23, 2010**

(54) **POWER INVERTER**

D544,439 S * 6/2007 Hussaini et al. D13/110

(75) Inventors: **Barbara Margaret DuMelle**, Niles, IL (US); **Christopher Michael Kubik**, Chicago, IL (US); **Patrick J. Clarke**, St. Charles, IL (US); **Samuel Weisbard**, Highland Park, IL (US); **Joseph J. Zenkus**, Lake in the Hills, IL (US); **Mark Kurth**, Chicago, IL (US); **Timothy Payne**, Chicago, IL (US); **Adam Callif**, Chicago, IL (US)

(Continued)

OTHER PUBLICATIONS

U.S. Appl. No. 29/354,853, filed Jan. 29, 2010, Barbara M. DuMelle.

(Continued)

Primary Examiner—Prabhakar Deshmukh

Assistant Examiner—Derrick Holland

(74) *Attorney, Agent, or Firm*—John S. Paniaguas; Katten Muchin Rosenman LLP

(73) Assignee: **Schumacher Electric Corporation**, Mt. Prospect, IL (US)

(**) Term: **14 Years**

(21) Appl. No.: **29/354,897**

(22) Filed: **Jan. 29, 2010**

(51) **LOC (9) Cl.** **13-02**

(52) **U.S. Cl.** **D13/110**

(58) **Field of Classification Search** D13/110,
D13/101, 107, 108, 118, 133, 137.1, 144,
D13/199; D14/432, 433; 307/150, 151;
363/141, 146; 439/483, 668, 669

See application file for complete search history.

(56) **References Cited**

U.S. PATENT DOCUMENTS

D258,818 S	4/1981	Johnson et al.	
D304,928 S	12/1989	Mize	
4,913,668 A	4/1990	Chamberlain	
D333,121 S	2/1993	Craveiro	
D346,149 S	4/1994	Deering	
D486,446 S	2/2004	Hriscu et al.	
D506,724 S	6/2005	Hriscu et al.	
D509,792 S *	9/2005	Hsu D13/110
D511,491 S	11/2005	Hriscu et al.	
D527,340 S	8/2006	Christiani et al.	
D530,271 S	10/2006	Hriscu et al.	
D530,272 S	10/2006	Hulden	
D532,748 S	11/2006	Disbennett et al.	
D537,410 S	2/2007	Yuen	

(57) **CLAIM**

The ornamental design for the power inverter, as shown and described.

DESCRIPTION

FIG. 1 is a bottom isometric view of a power inverter showing our new design.

FIG. 2 is a top isometric view of the power inverter illustrated in FIG. 1.

FIG. 3 is a bottom plan view of the power inverter illustrated in FIG. 1.

FIG. 4 is a front elevation view of the power inverter illustrated in FIG. 1.

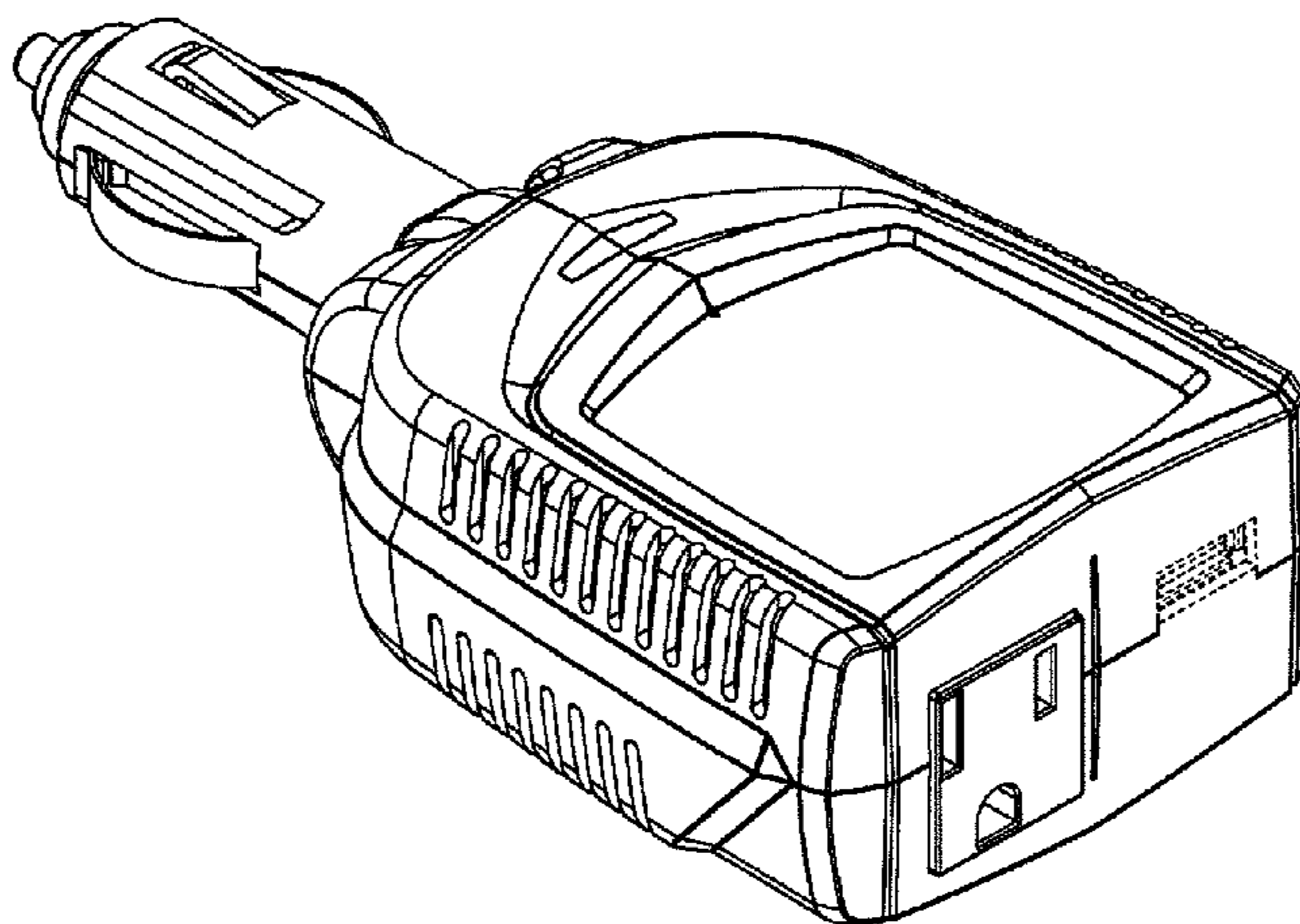
FIG. 5 is a right side elevation view of the power inverter illustrated in FIG. 1.

FIG. 6 is a rear elevation view of the power inverter illustrated in FIG. 1; and,

FIG. 7 is a top plan view of the power inverter illustrated in FIG. 1.

The broken lines shown are for illustrative purposes only and form no part of the claimed design.

1 Claim, 4 Drawing Sheets



US D627,720 S

Page 2

U.S. PATENT DOCUMENTS

D548,692 S * 8/2007 Krieger et al. D13/110
D548,694 S * 8/2007 Krieger et al. D13/110
D551,166 S * 9/2007 Dayan D13/110
D554,059 S * 10/2007 Hsu D13/110
D561,688 S * 2/2008 Hussaini et al. D13/110
D582,845 S * 12/2008 O'Hern D13/110
D585,822 S 2/2009 Hsu
D594,405 S 6/2009 Murray et al.
D597,029 S 7/2009 Li

D609,634 S 2/2010 Daniels et al.

OTHER PUBLICATIONS

U.S. Appl. No. 29/354,879, filed Jan. 29, 2010, Barbara M. DuMelle.
U.S. Appl. No. 29/354,859, filed Jan. 29, 2010, Barbara M. DuMelle.
U.S. Appl. No. 29/354,851, filed Jan. 29, 2010, Barbara M. DuMelle.
U.S. Appl. No. 29/354,887, filed Jan. 29, 2010, Barbara M. DuMelle.
U.S. Appl. No. 29/356,065, filed Feb. 19, 2010, Barbara M. DuMelle.
U.S. Appl. No. 29/354,902, filed Jan. 29, 2010, Barbara M. DuMelle.

* cited by examiner

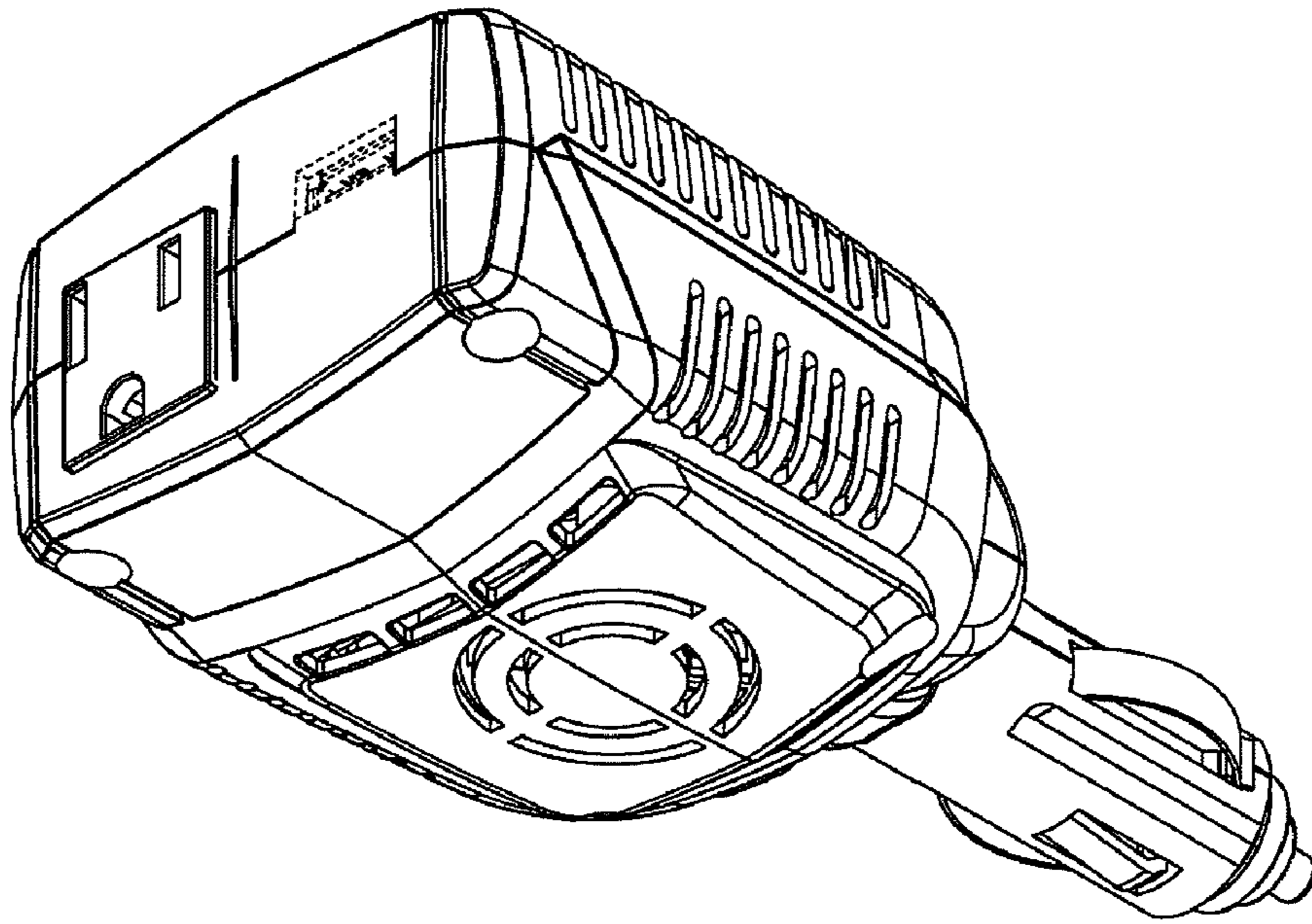


Fig. 1

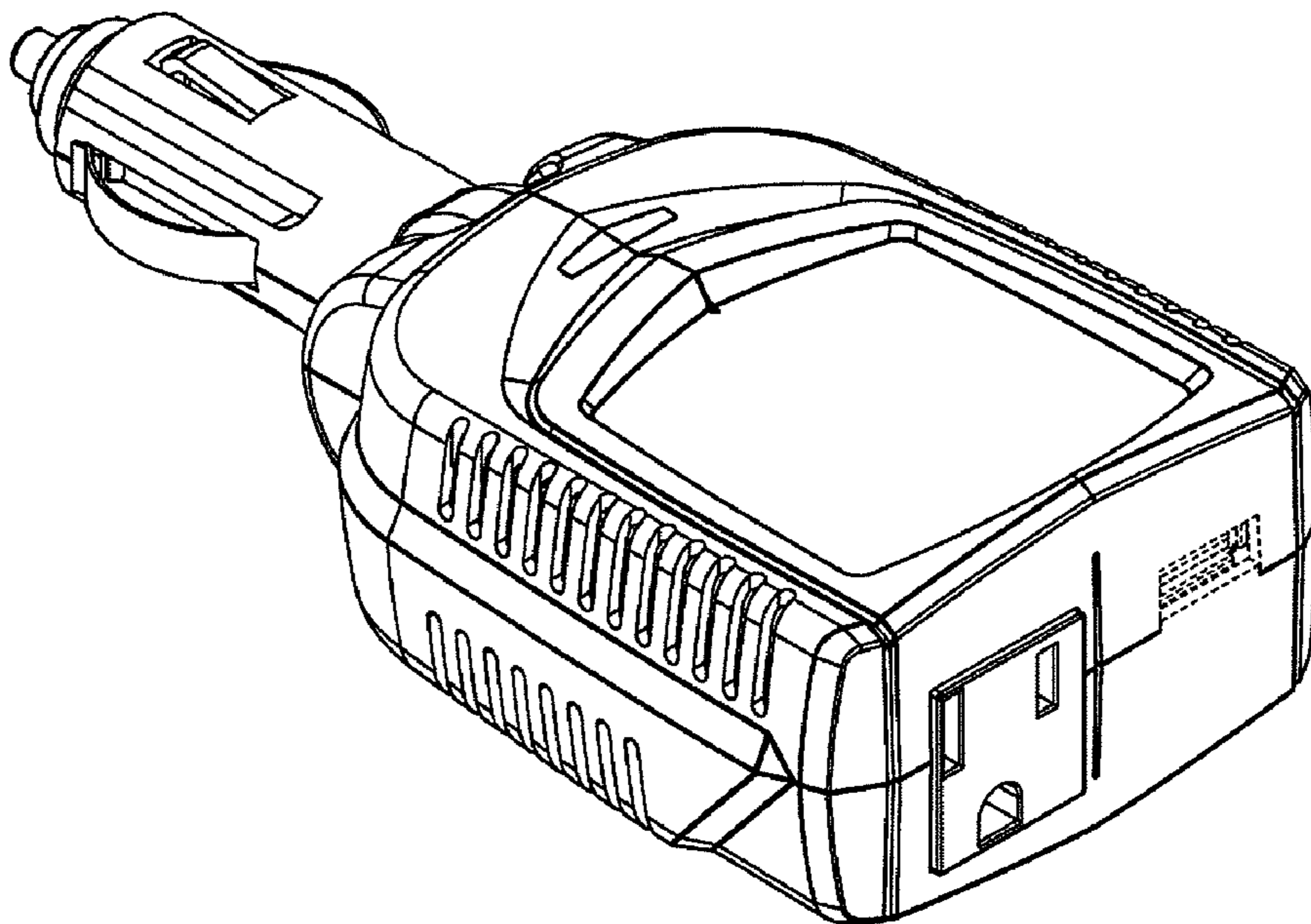


Fig. 2

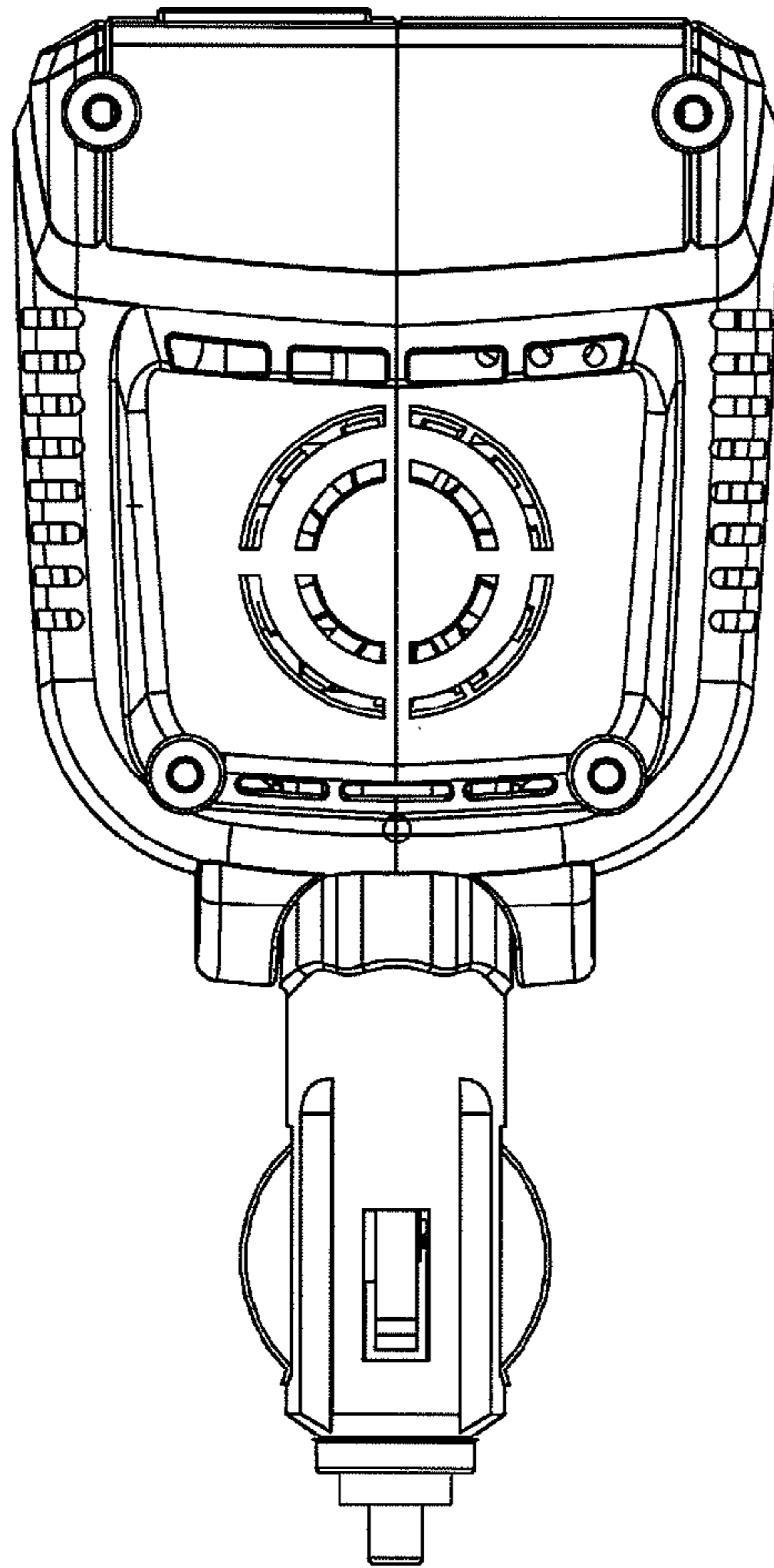


Fig. 3

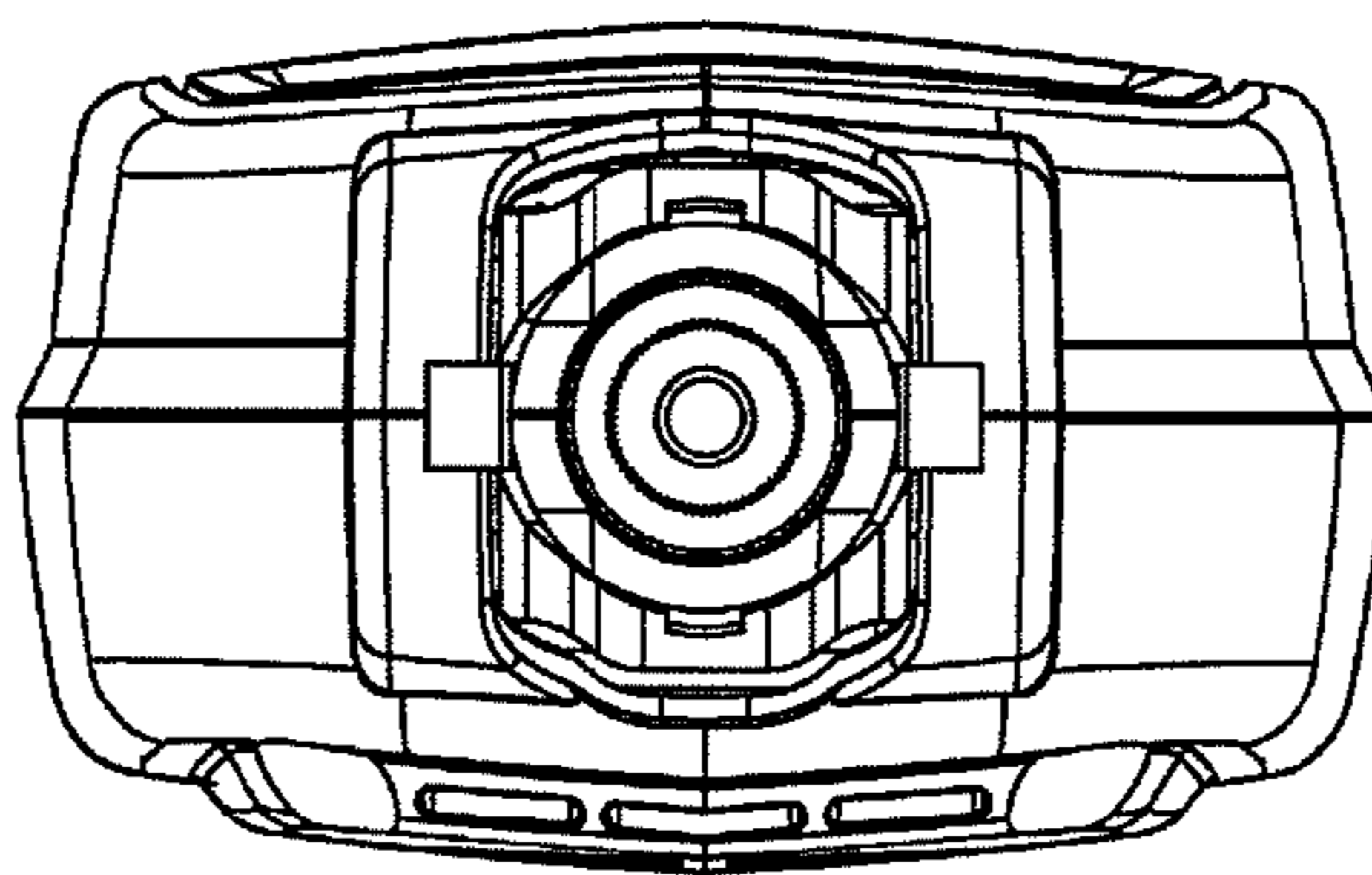


Fig. 4

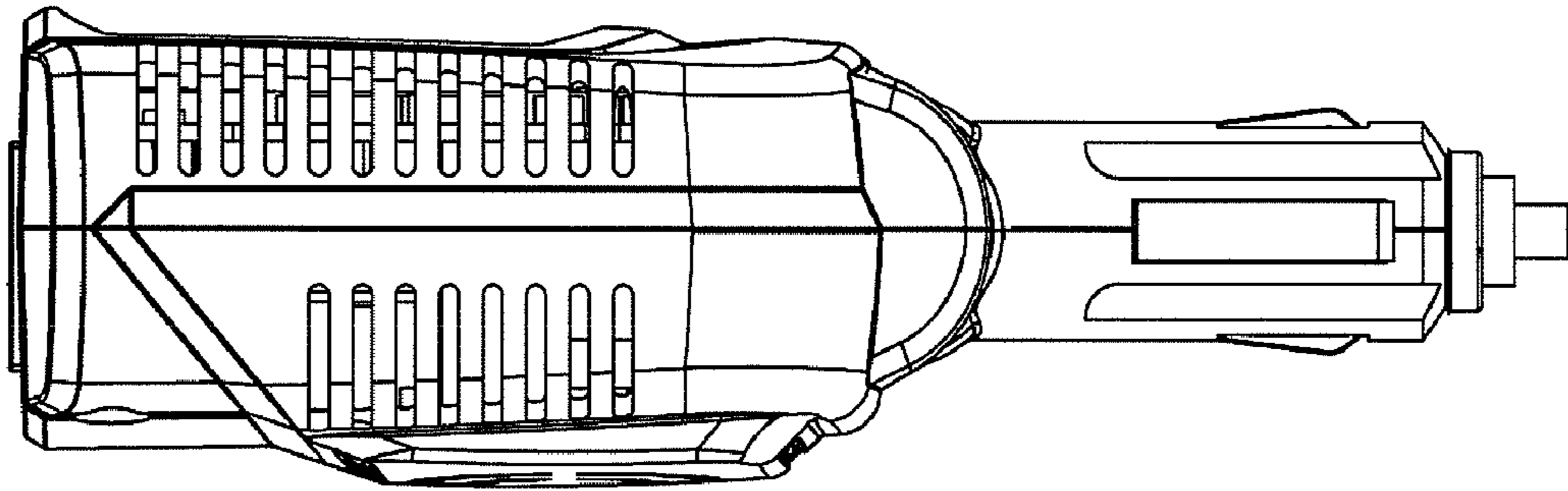


Fig. 5

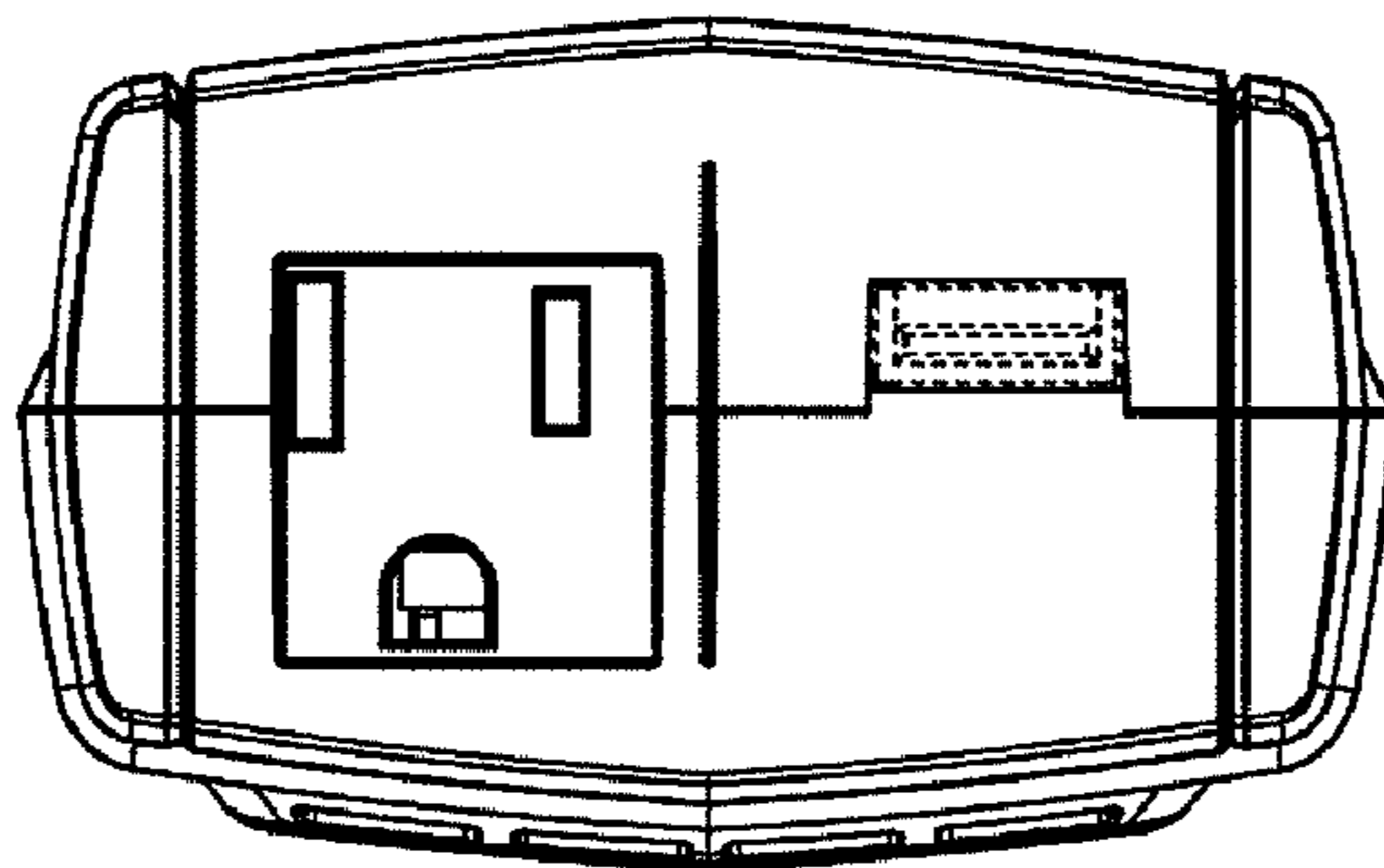


Fig. 6

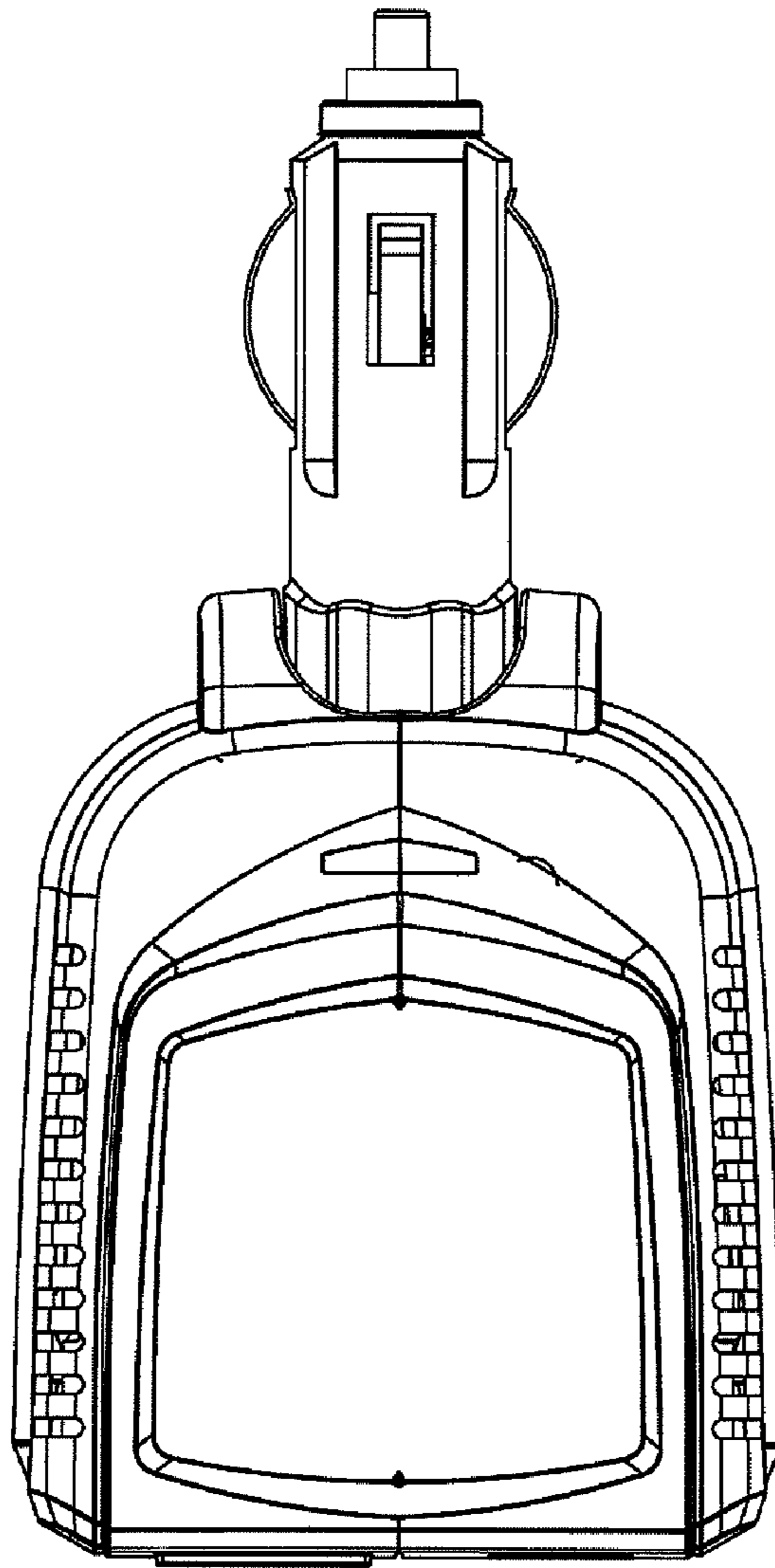


Fig. 7