



US00D627719S

(12) **United States Design Patent**
DuMelle et al.

(10) **Patent No.:** **US D627,719 S**
(45) **Date of Patent:** **** Nov. 23, 2010**

(54) **POWER INVERTER**

(75) Inventors: **Barbara Margaret DuMelle**, Niles, IL (US); **Christopher Michael Kubik**, Chicago, IL (US); **Patrick J. Clarke**, St. Charles, IL (US); **Samuel Weisbard**, Highland Park, IL (US); **Joseph J. Zenkus**, Lake in the Hills, IL (US); **Mark Kurth**, Chicago, IL (US); **Timothy Payne**, Chicago, IL (US); **Adam Callif**, Chicago, IL (US)

(73) Assignee: **Schumacher Electric Corporation**, Mt. Prospect, IL (US)

(**) Term: **14 Years**

(21) Appl. No.: **29/354,887**

(22) Filed: **Jan. 29, 2010**

(51) **LOC (9) Cl.** **13-02**

(52) **U.S. Cl.** **D13/110**

(58) **Field of Classification Search** D13/110,
D13/101, 108, 123, 184, 199; 337/186; 361/600,
361/601, 709, 714, 730; 363/141, 142
See application file for complete search history.

(56) **References Cited**

U.S. PATENT DOCUMENTS

D258,818	S	4/1981	Johnson et al.	
D304,928	S	12/1989	Mize	
4,913,668	A	4/1990	Chamberlain	
D333,121	S	2/1993	Craveiro	
D346,149	S	4/1994	Deering	
5,949,640	A *	9/1999	Cameron et al.	361/600
D427,148	S *	6/2000	Wei	D13/110
D427,969	S *	7/2000	Wei	D13/110
D436,918	S *	1/2001	Matsuda	D13/110
D486,446	S	2/2004	Hriscu et al.	
D494,541	S *	8/2004	Hriscu et al.	D13/110

(Continued)

OTHER PUBLICATIONS

U.S. Appl. No. 29/354,853, filed Jan. 29, 2010, Barbara M. DuMelle.

(Continued)

Primary Examiner—Prabhakar Deshmukh
Assistant Examiner—Derrick Holland
(74) *Attorney, Agent, or Firm*—John S. Paniaguas; Katten Muchin Rosenman LLP

(57) **CLAIM**

The ornamental design for the power inverter, as shown and described.

DESCRIPTION

FIG. 1 is a front perspective view of a power inverter showing our new design;

FIG. 2 is a rear perspective view thereof;

FIG. 3 is a right side elevation view thereof;

FIG. 4 is a front elevation view thereof;

FIG. 5 is a left side elevation view thereof;

FIG. 6 is a rear elevation view thereof;

FIG. 7 is a bottom plan view thereof;

FIG. 8 is a top plan view thereof;

FIG. 9 is a front perspective view of a power inverter in accordance with an alternate second embodiment showing our new design;

FIG. 10 is a top plan view thereof;

FIG. 11 is a front elevation view thereof;

FIG. 12 is a left side elevation view thereof;

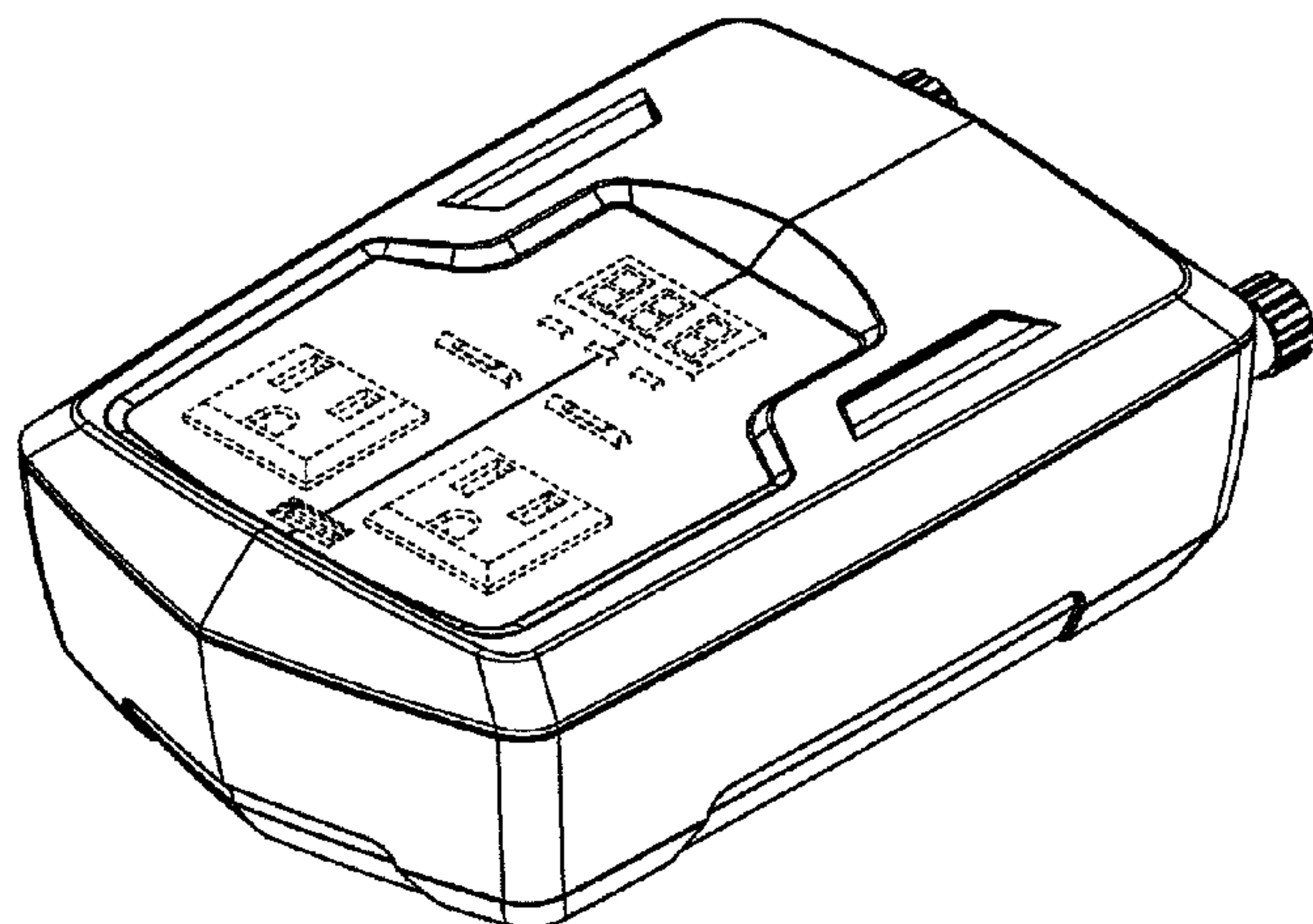
FIG. 13 is a left side elevation view thereof;

FIG. 14 is a rear perspective view thereof; and,

FIG. 15 is a rear elevation view thereof.

The broken lines shown are for illustrative purposes only and form no part of the claimed design.

1 Claim, 8 Drawing Sheets



US D627,719 S

Page 2

U.S. PATENT DOCUMENTS

D496,629 S * 9/2004 Hriscu et al. D13/110
D505,915 S * 6/2005 Hussaini et al. D13/110
D506,724 S 6/2005 Hriscu et al.
D511,491 S 11/2005 Hriscu et al.
D527,340 S 8/2006 Christiani et al.
D530,271 S 10/2006 Hriscu et al.
D530,272 S 10/2006 Hulden
D532,748 S 11/2006 Disbennett et al.
D537,410 S 2/2007 Yuen
7,304,852 B2 * 12/2007 Hernandez et al. 361/714
D562,235 S * 2/2008 Hussaini et al. D13/110
D580,354 S * 11/2008 Dunbar et al. D13/108
D582,845 S * 12/2008 O'Hern D13/110

D585,822 S 2/2009 Hsu
D594,405 S 6/2009 Murray et al.
D597,029 S 7/2009 Li
D609,634 S 2/2010 Daniels et al.

OTHER PUBLICATIONS

U.S. Appl. No. 29/354,879, filed Jan. 29, 2010, Barbara M. DuMelle.
U.S. Appl. No. 29/354,859, filed Jan. 29, 2010, Barbara M. DuMelle.
U.S. Appl. No. 29/354, 851, filed Jan. 29, 2010, Barbara M. DuMelle.
U.S. Appl. No. 29/354,897, filed Jan. 29, 2010, Barbara M. DuMelle.
U.S. Appl. No. 29/356,065, filed Feb. 19, 2010, Barbara M. DuMelle.
U.S. Appl. No. 29/354,902, filed Jan. 29, 2010, Barbara M. DuMelle.

* cited by examiner

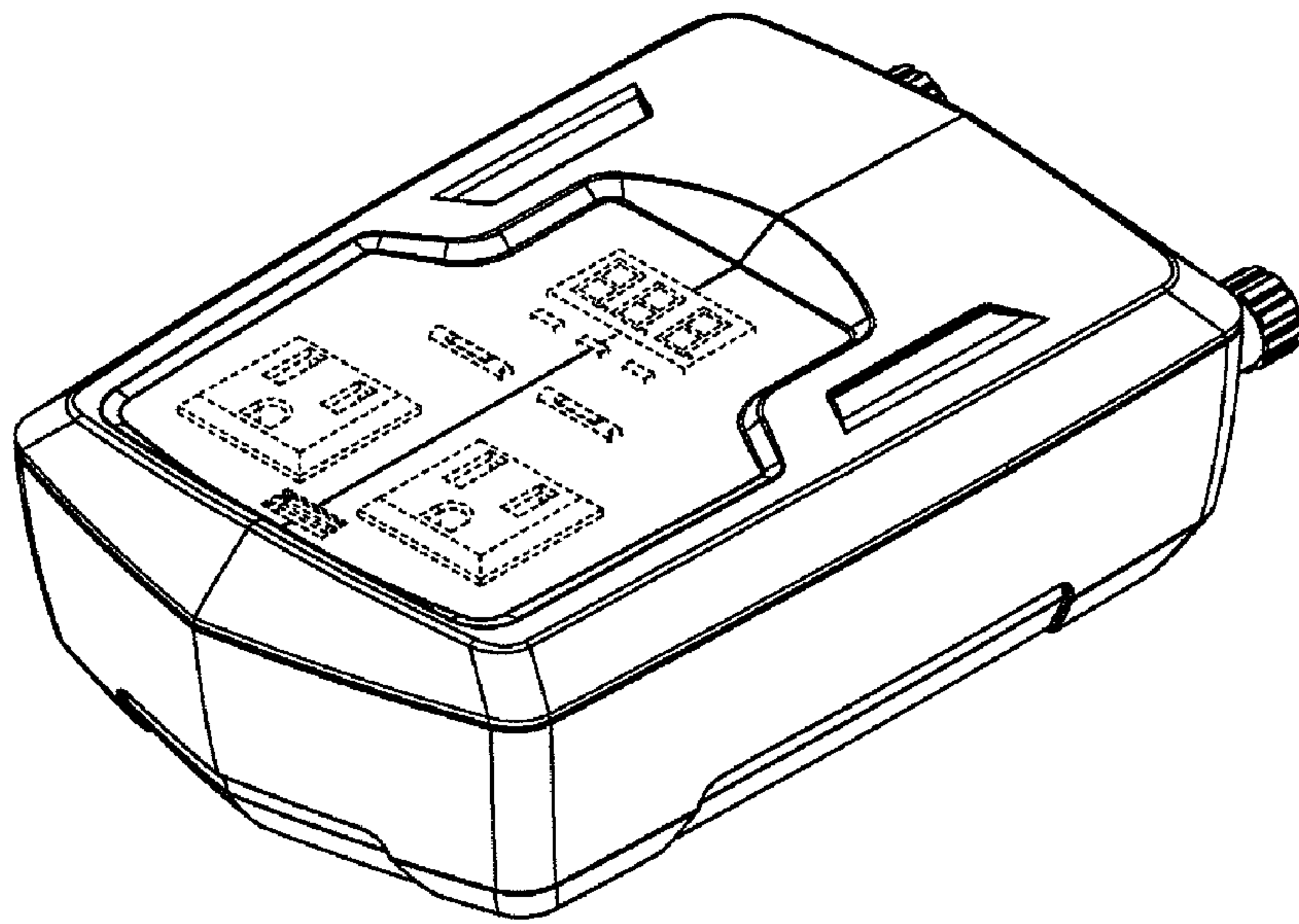


Fig. 1

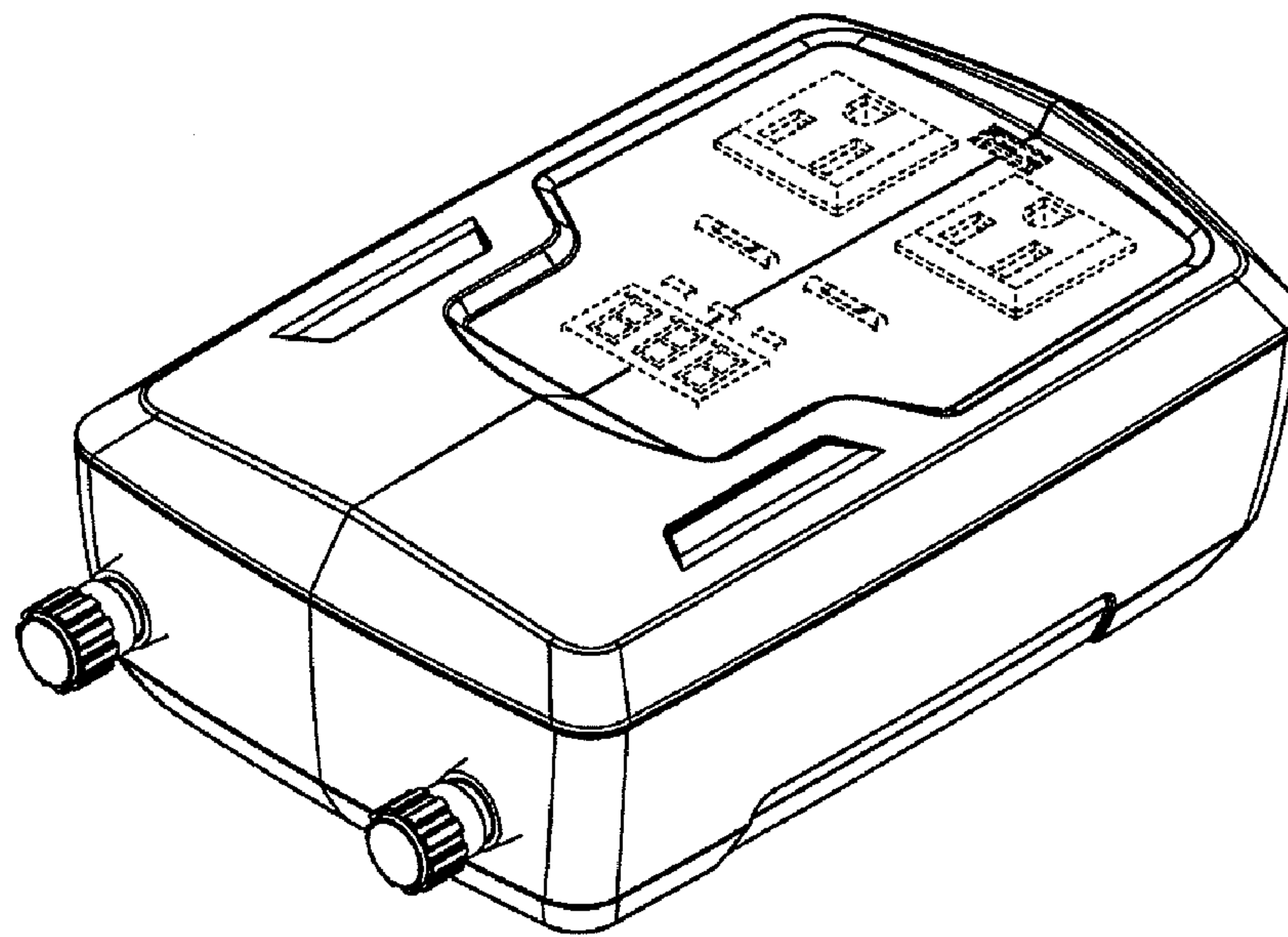


Fig. 2

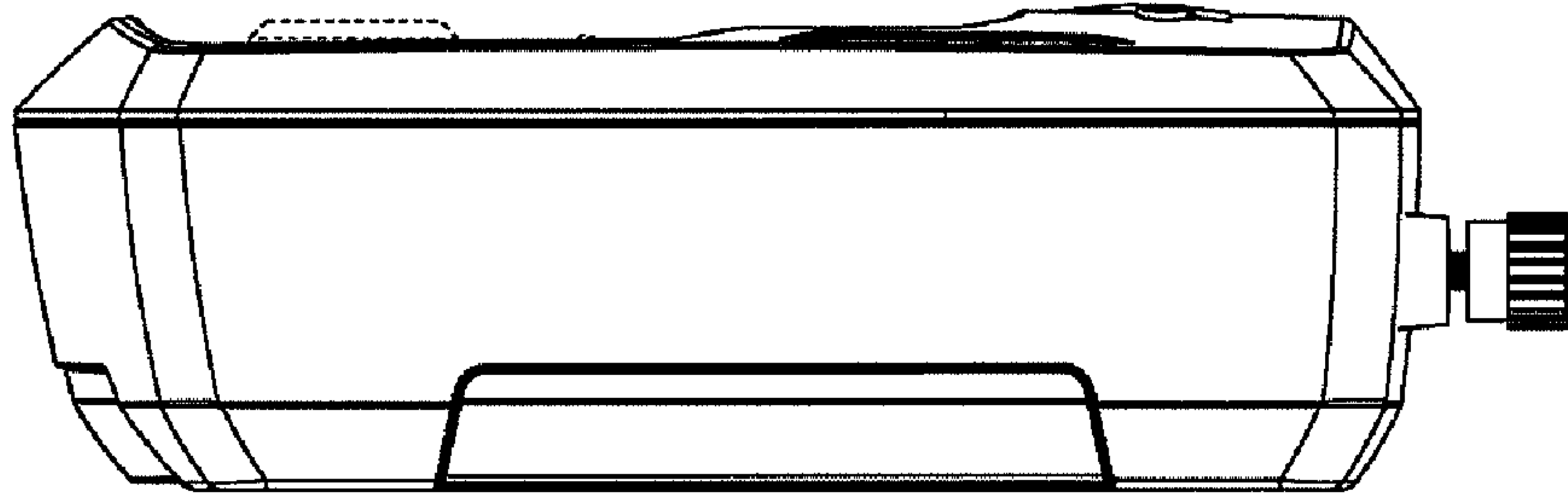


Fig. 3

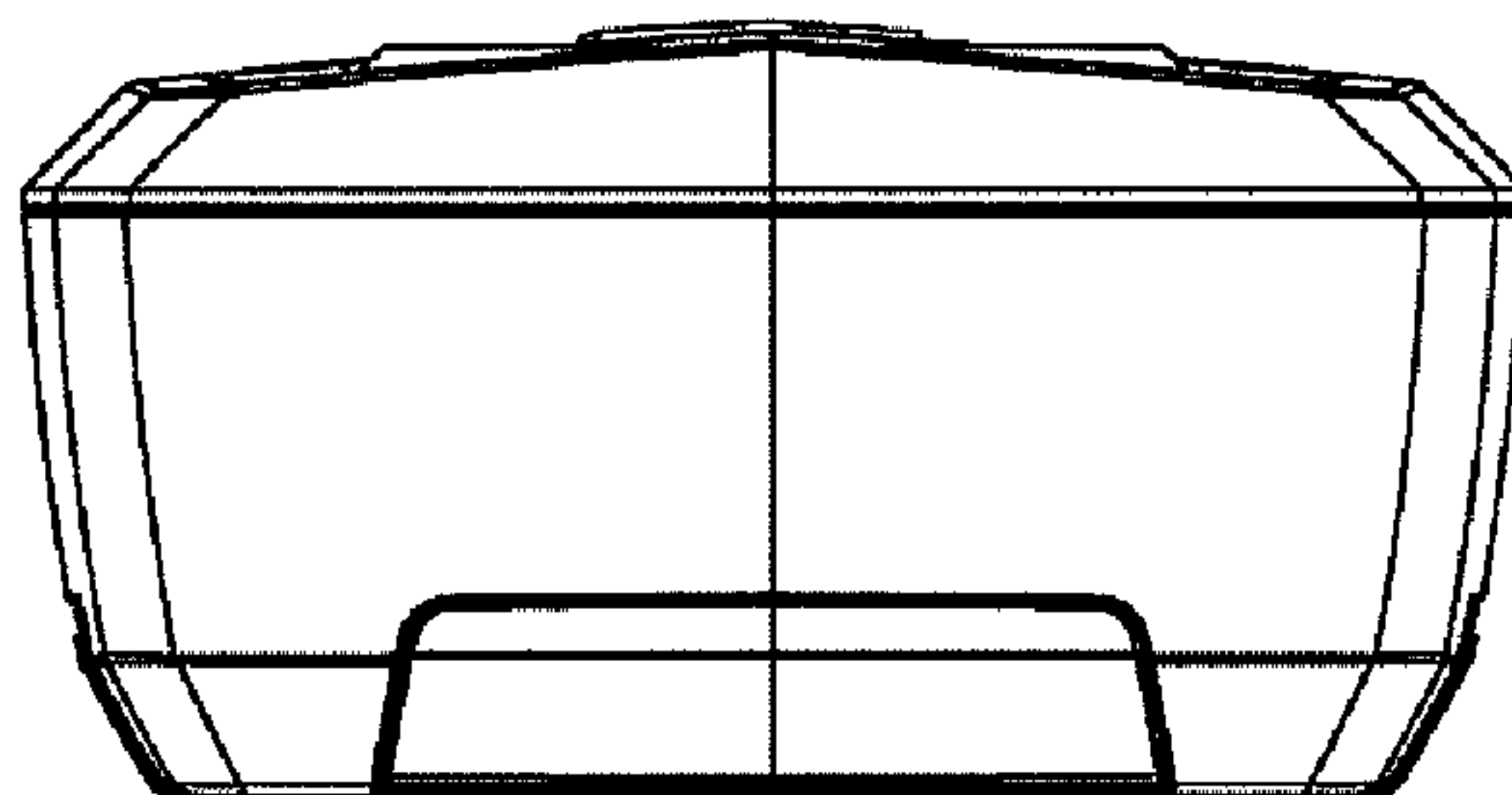


Fig. 4

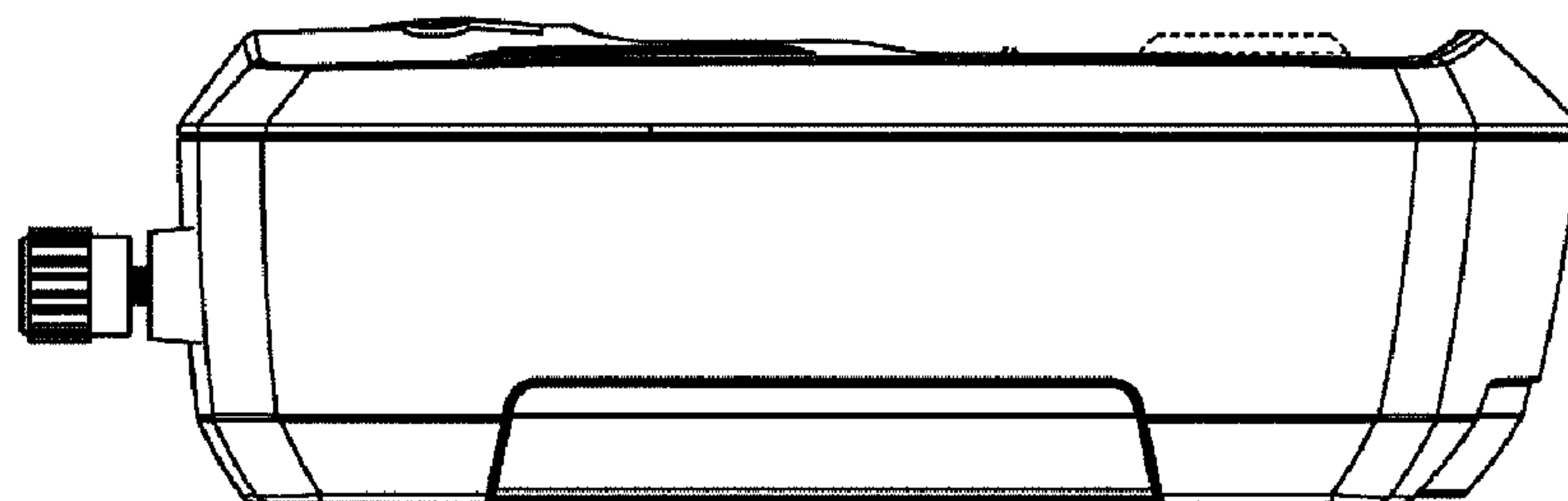


Fig. 5

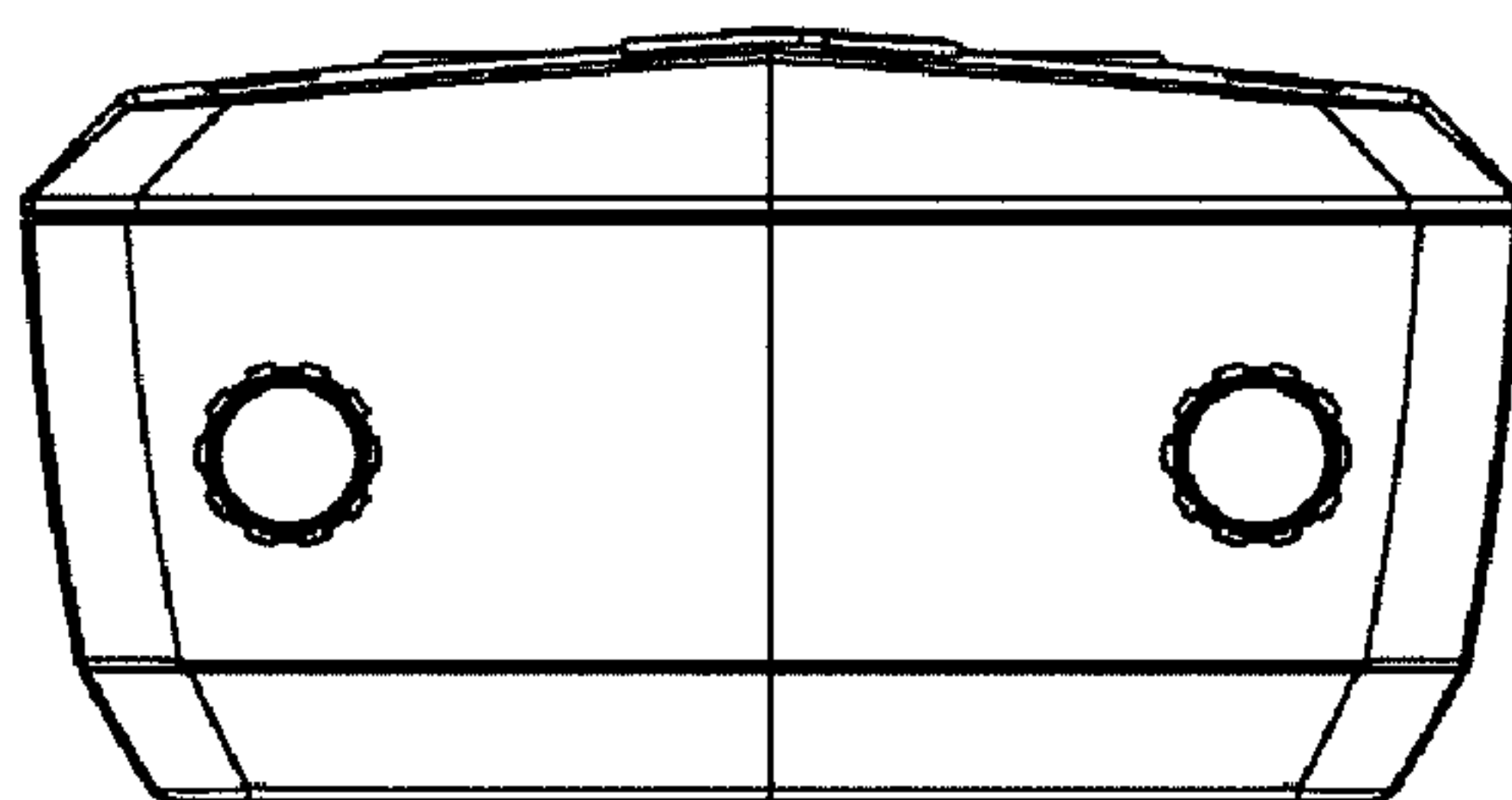


Fig. 6

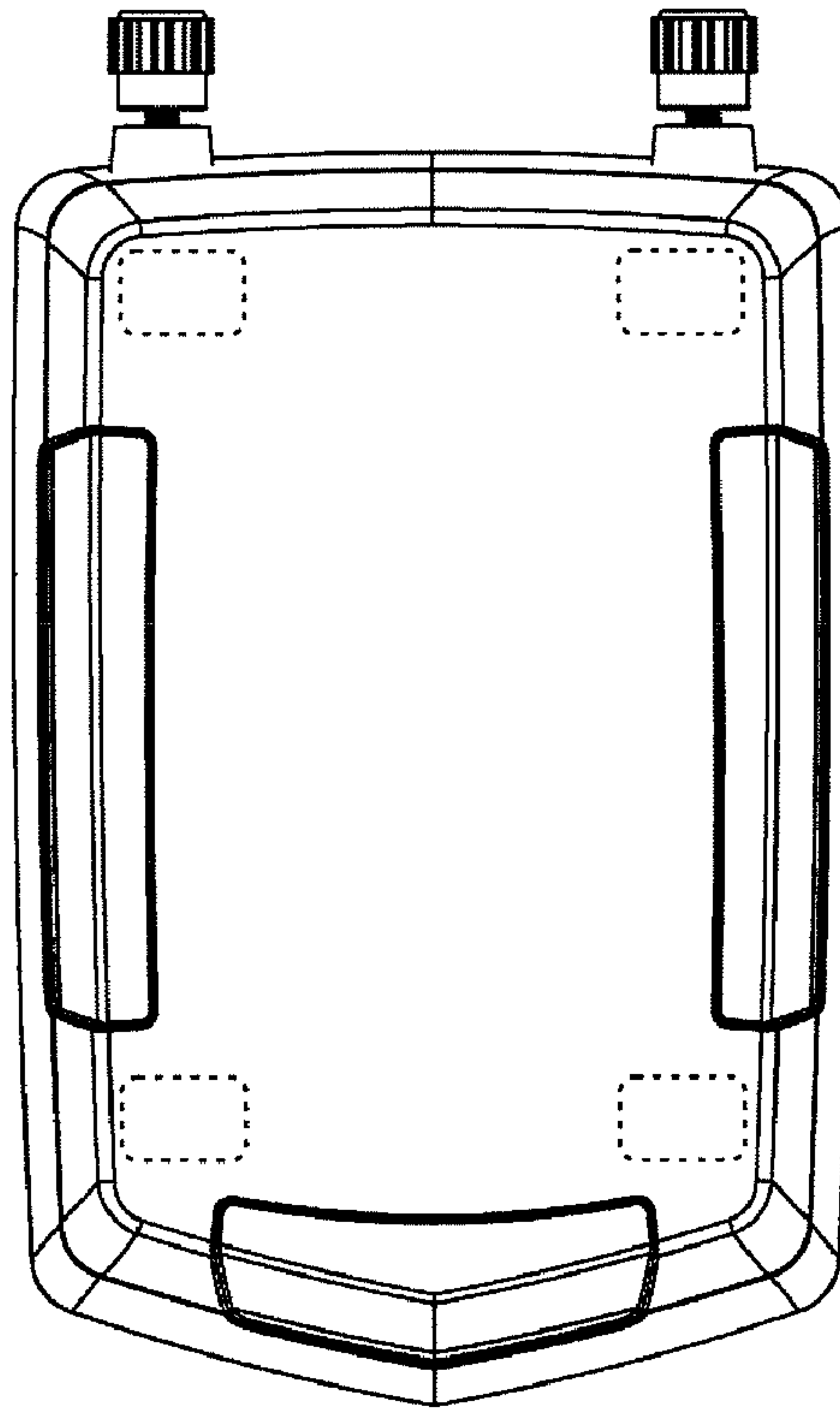


Fig. 7

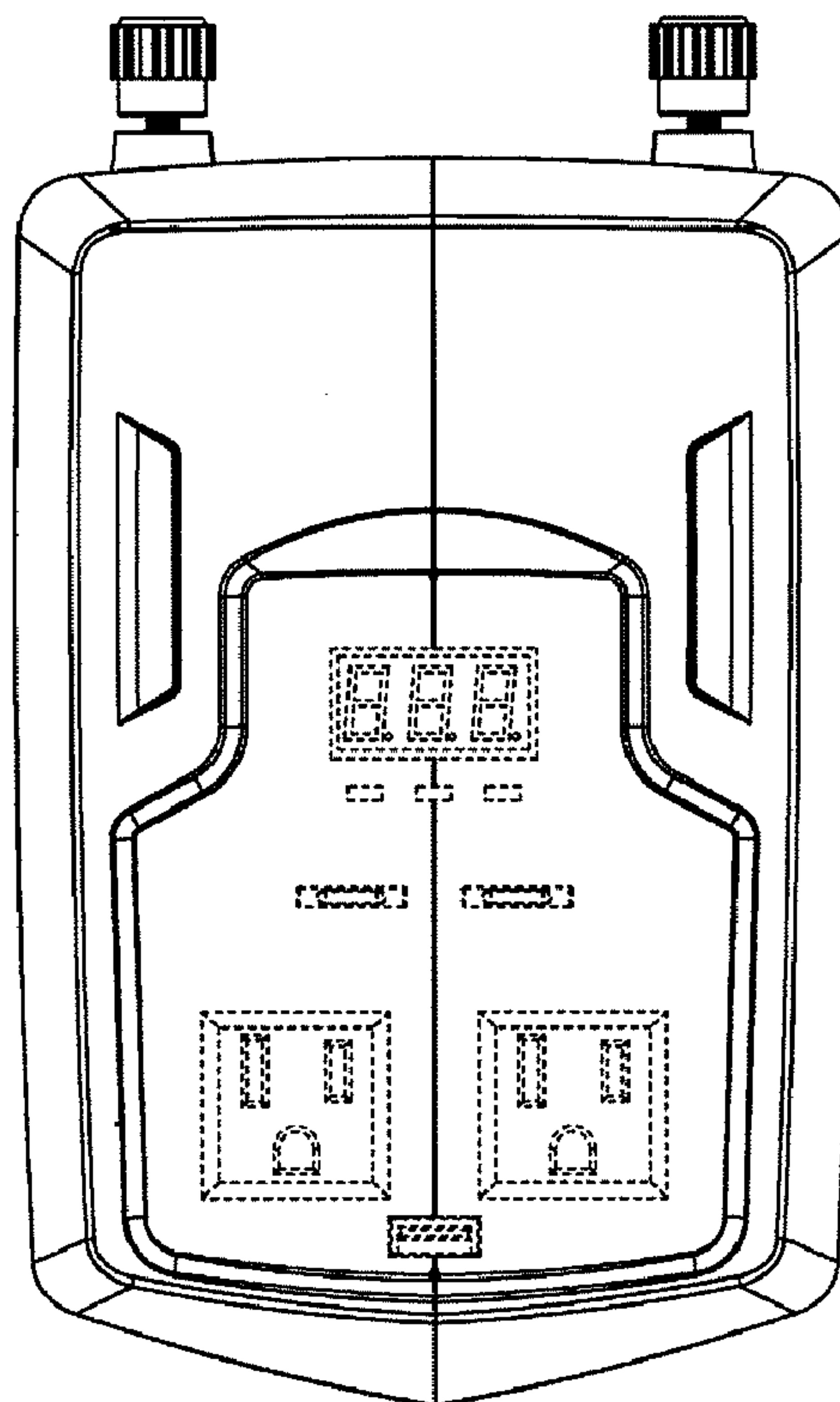


Fig. 8

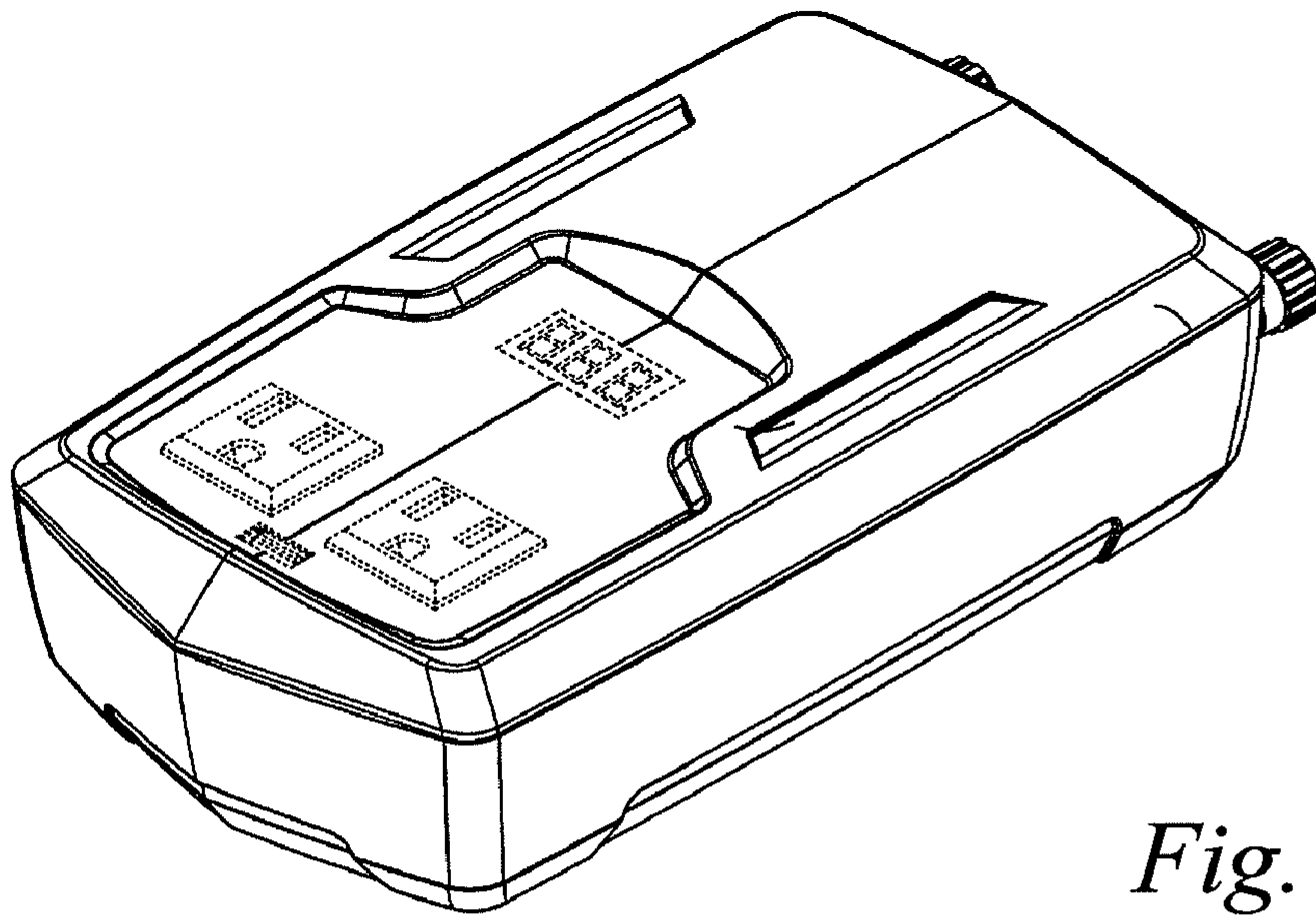


Fig. 9

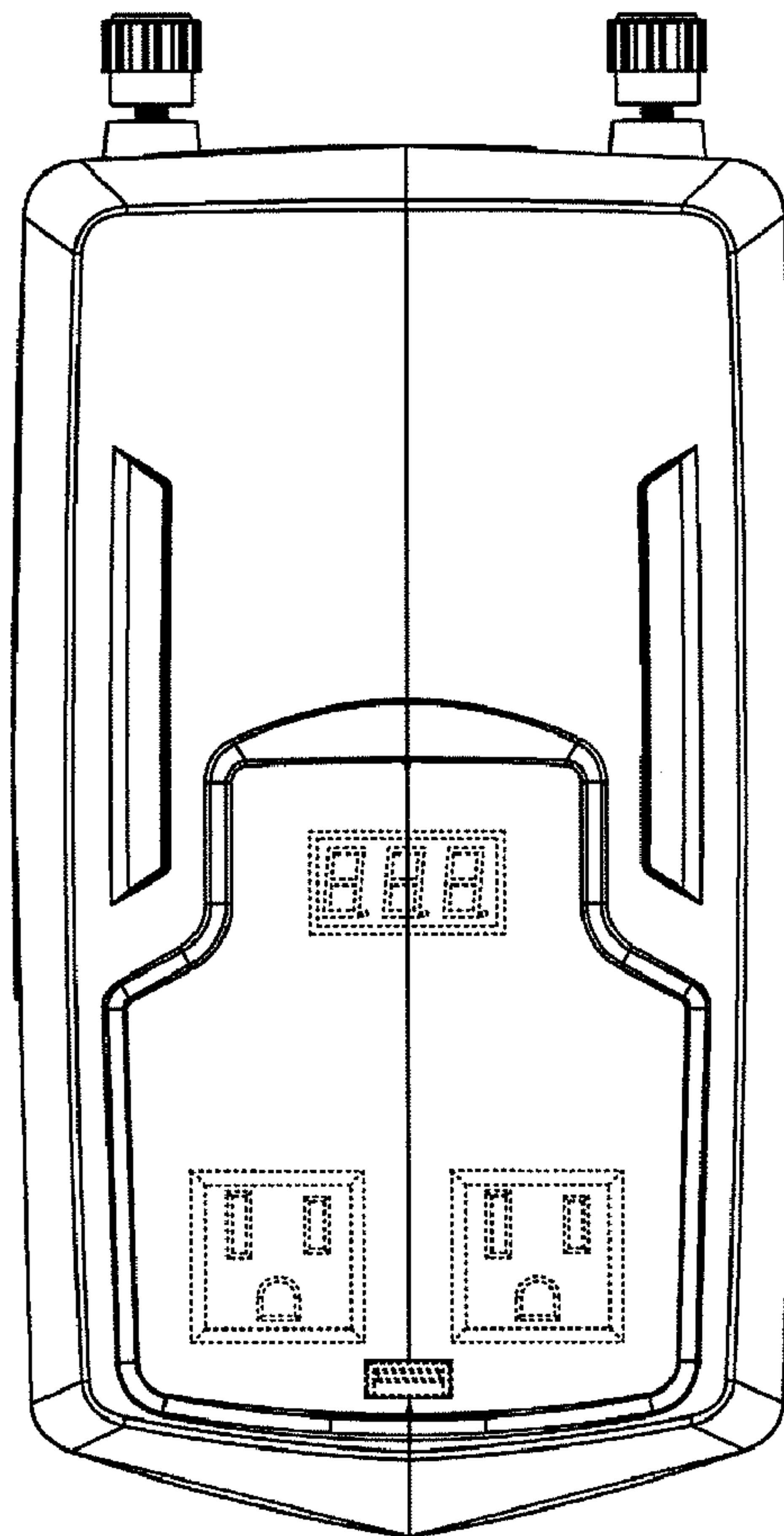


Fig. 10

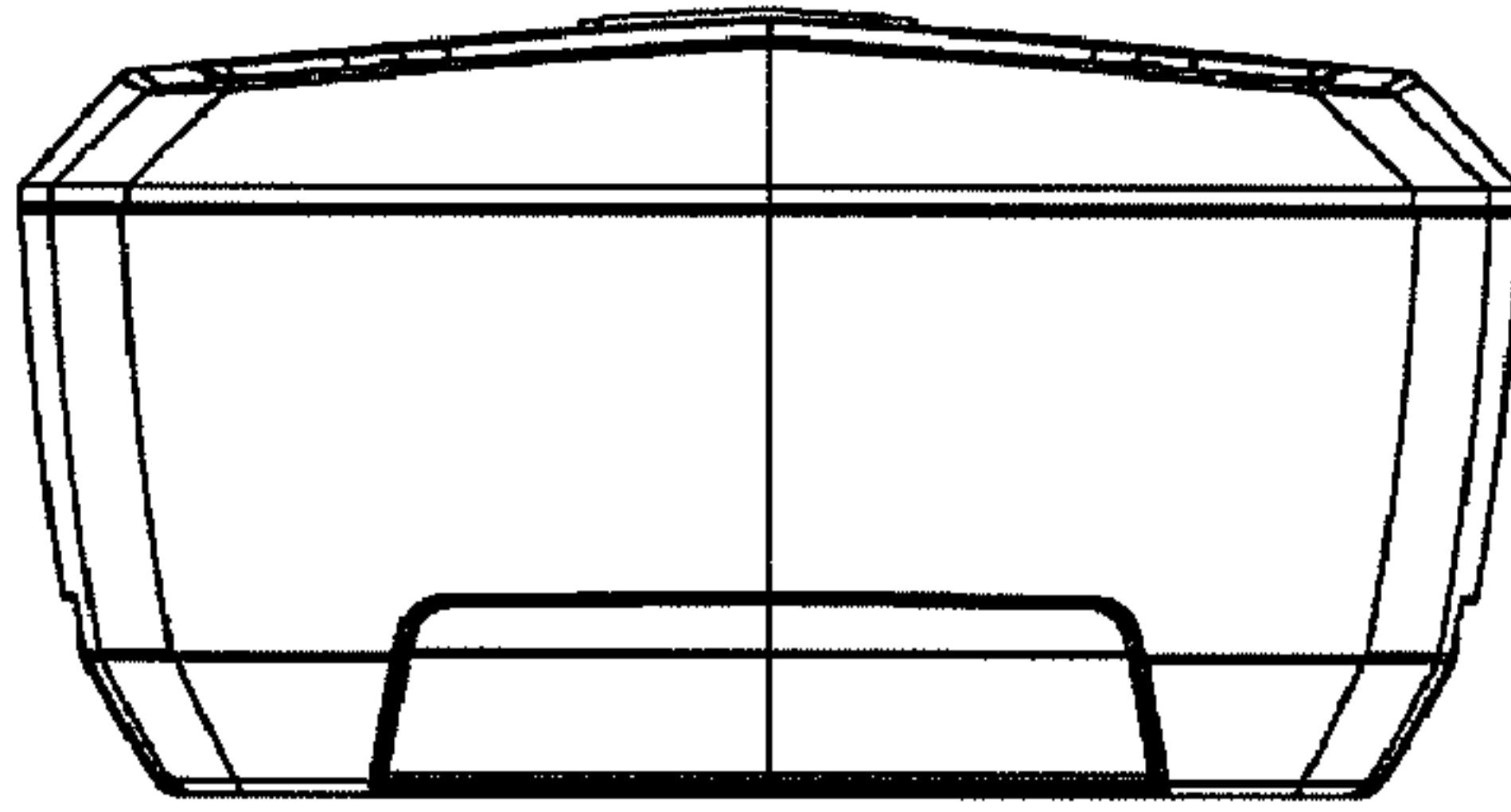


Fig. 11

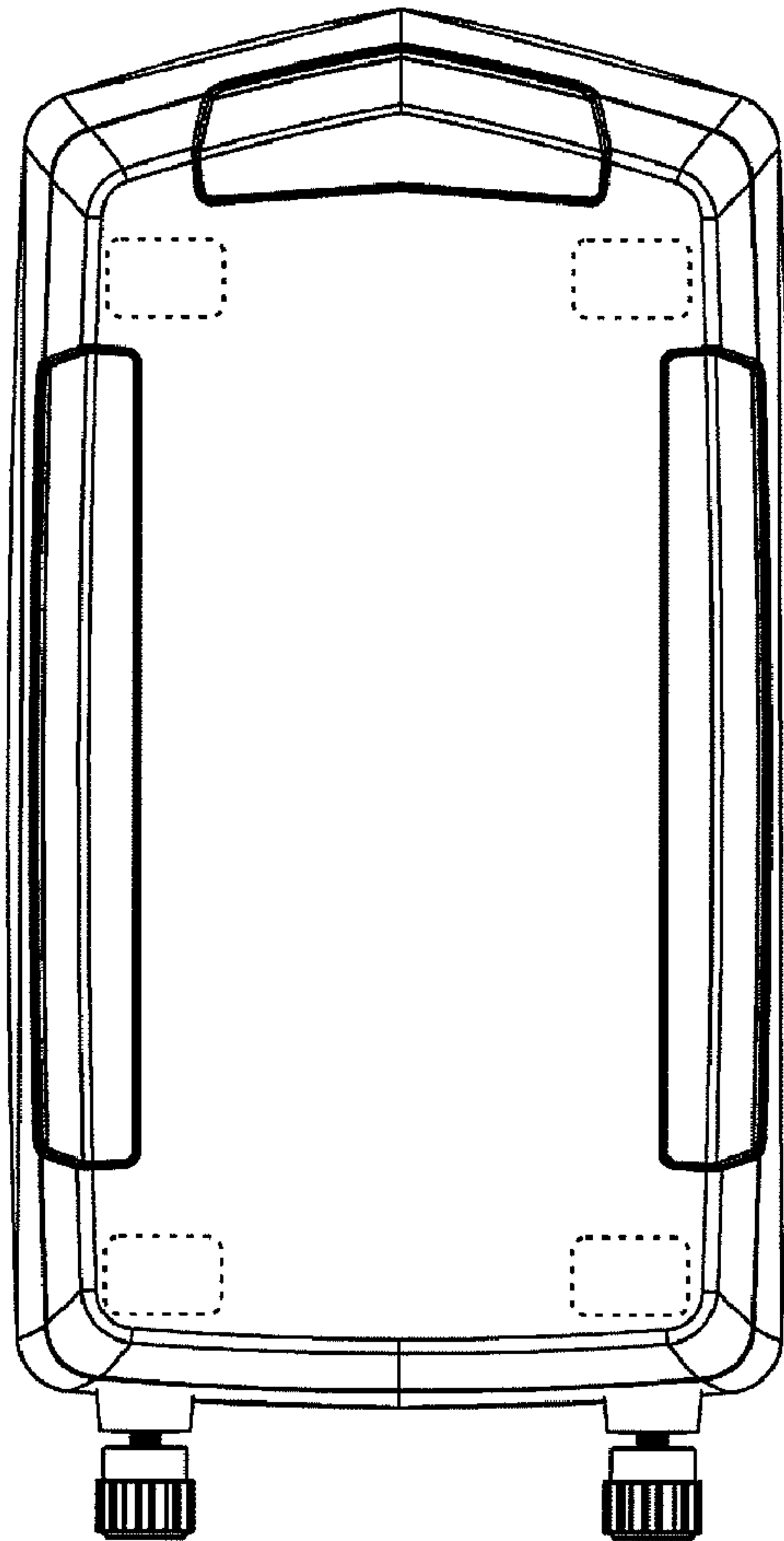


Fig. 12

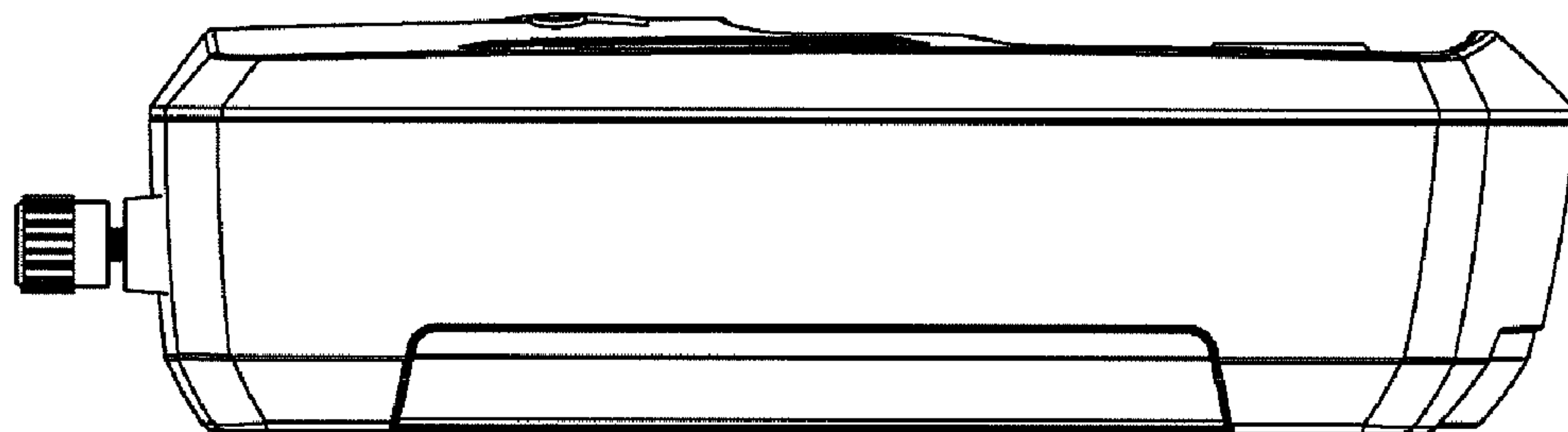


Fig. 13

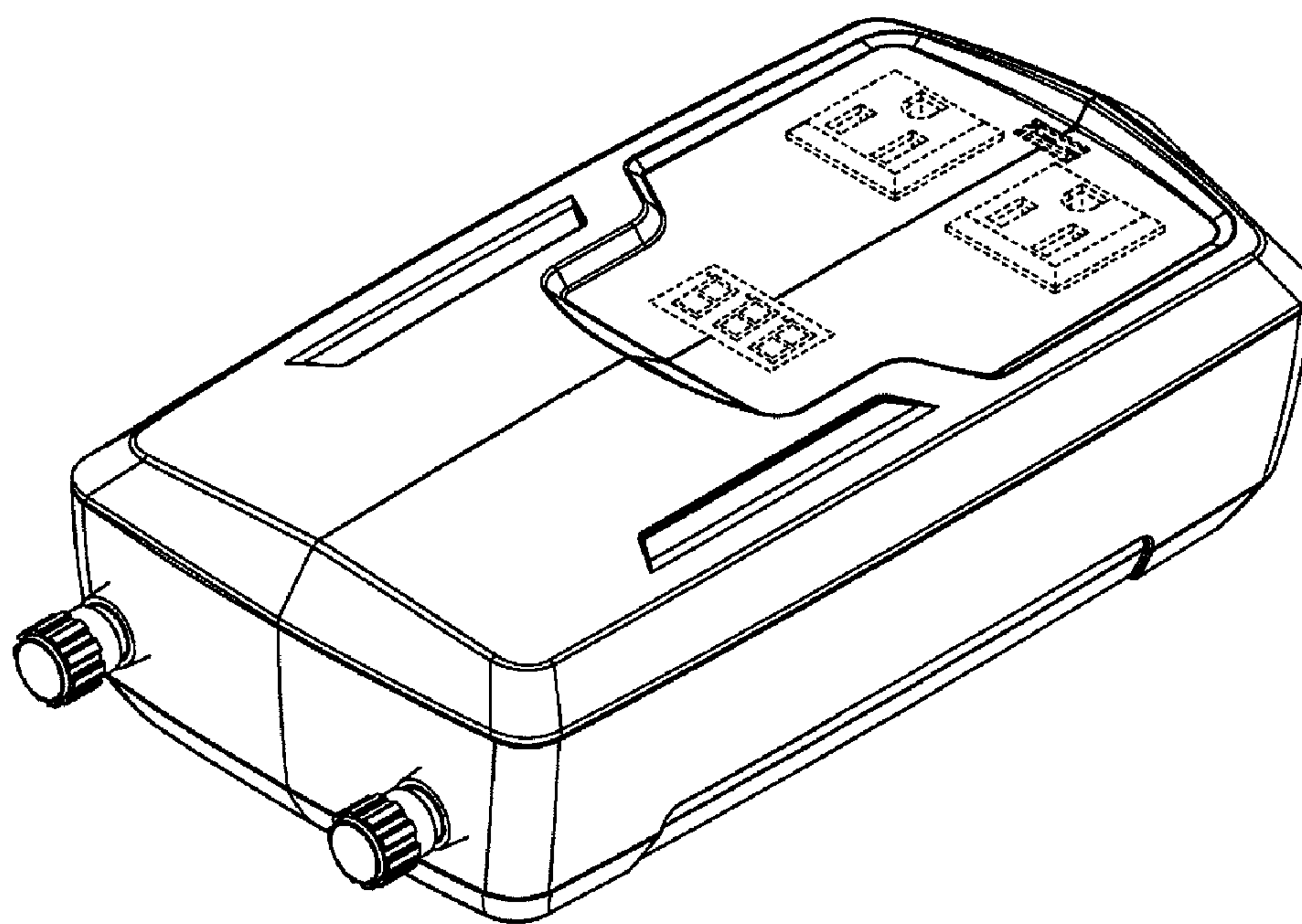


Fig. 14

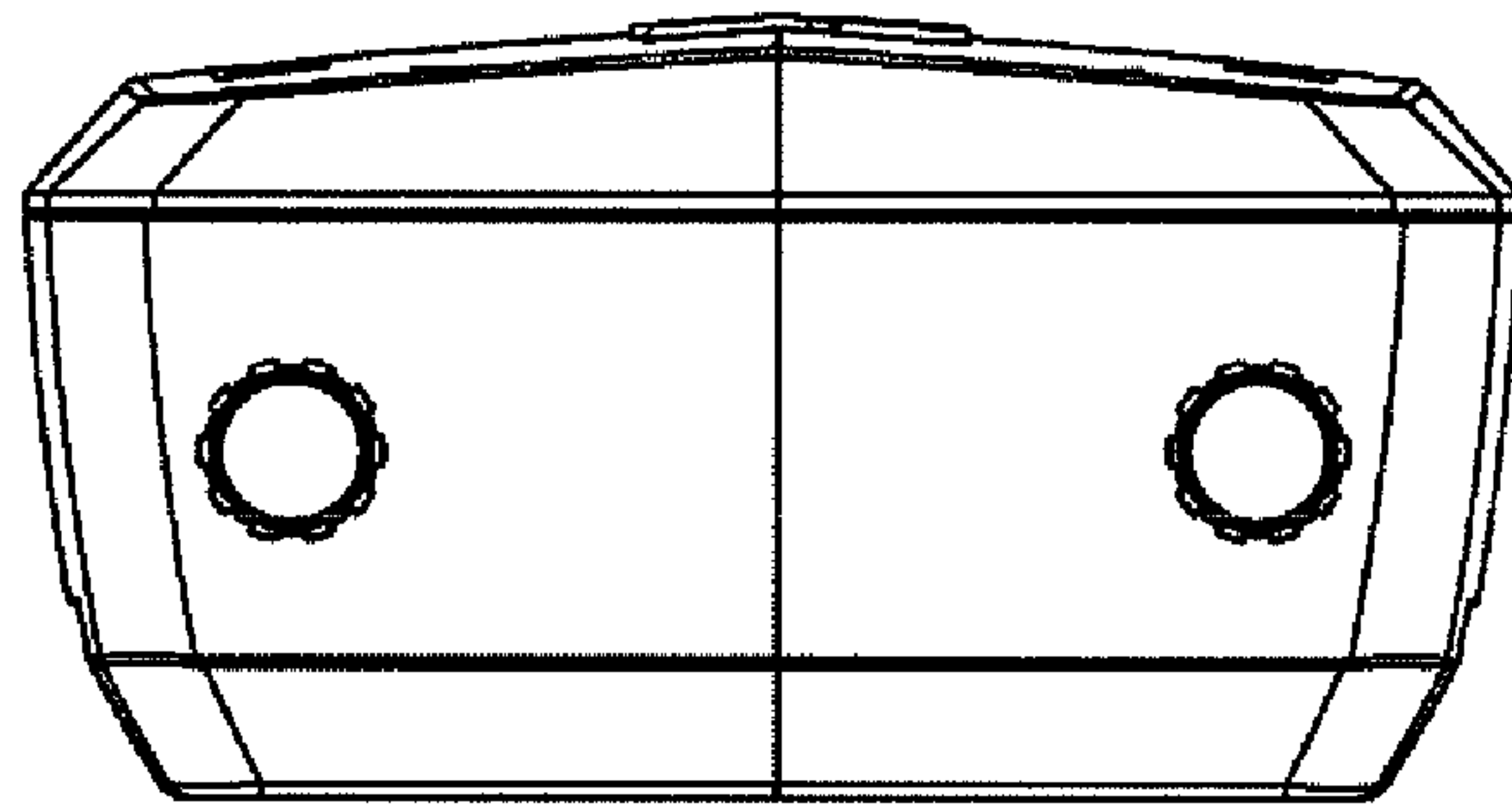


Fig. 15