



US00D627718S

(12) **United States Design Patent**
Houghton

(10) **Patent No.:** **US D627,718 S**

(45) **Date of Patent:** **** Nov. 23, 2010**

(54) **CHARGER BASE FOR A HAND-HELD VACUUM CLEANER**

(75) Inventor: **Stephen Houghton**, Newcastle upon Tyne (GB)

(73) Assignee: **Black & Decker Inc.**, Newark, DE (US)

(**) Term: **14 Years**

(21) Appl. No.: **29/363,198**

(22) Filed: **Jun. 7, 2010**

(30) **Foreign Application Priority Data**

Dec. 11, 2009 (GB) 0011838941

(51) **LOC (9) Cl.** **13-02**

(52) **U.S. Cl.** **D13/108; D32/31**

(58) **Field of Classification Search** D13/107-110, D13/118-119, 184; D14/251, 253, 432, D14/434, 435.1; 320/107-115; D32/25, D32/31; 15/300.1, 323, 345

See application file for complete search history.

(56) **References Cited**

U.S. PATENT DOCUMENTS

D242,675 S *	12/1976	McNair	D28/38
D300,678 S *	4/1989	Barrault	D32/73
D467,539 S *	12/2002	Kataoka	D13/108
D521,927 S *	5/2006	Franck et al.	D13/108
D524,282 S *	7/2006	Beasley et al.	D14/149
D537,409 S *	2/2007	Suzuki	D13/108
D558,207 S *	12/2007	Ikeda et al.	D14/434

D558,208 S *	12/2007	Ikeda et al.	D14/434
D558,209 S *	12/2007	Ikeda et al.	D14/434
D575,289 S *	8/2008	Kuo et al.	D14/434
D585,898 S *	2/2009	Skurdal	D14/434
D608,277 S *	1/2010	Cano et al.	D13/108
D609,636 S *	2/2010	Jensen	D13/108
D620,882 S *	8/2010	Houghton	D13/108

* cited by examiner

Primary Examiner—Rosemary K Tarcza

(74) *Attorney, Agent, or Firm*—John Yun; Bruce S. Shapiro; Stephen Valancius

(57) **CLAIM**

The ornamental design for a charger base for a hand-held vacuum cleaner, as shown and described.

DESCRIPTION

FIG. 1 is a perspective view of a charger base for a hand-held vacuum cleaner with showing my new design.

FIG. 2 is a bottom view of the charger base according to FIG. 1.

FIG. 3 is a top view of the charger base according to FIG. 1.

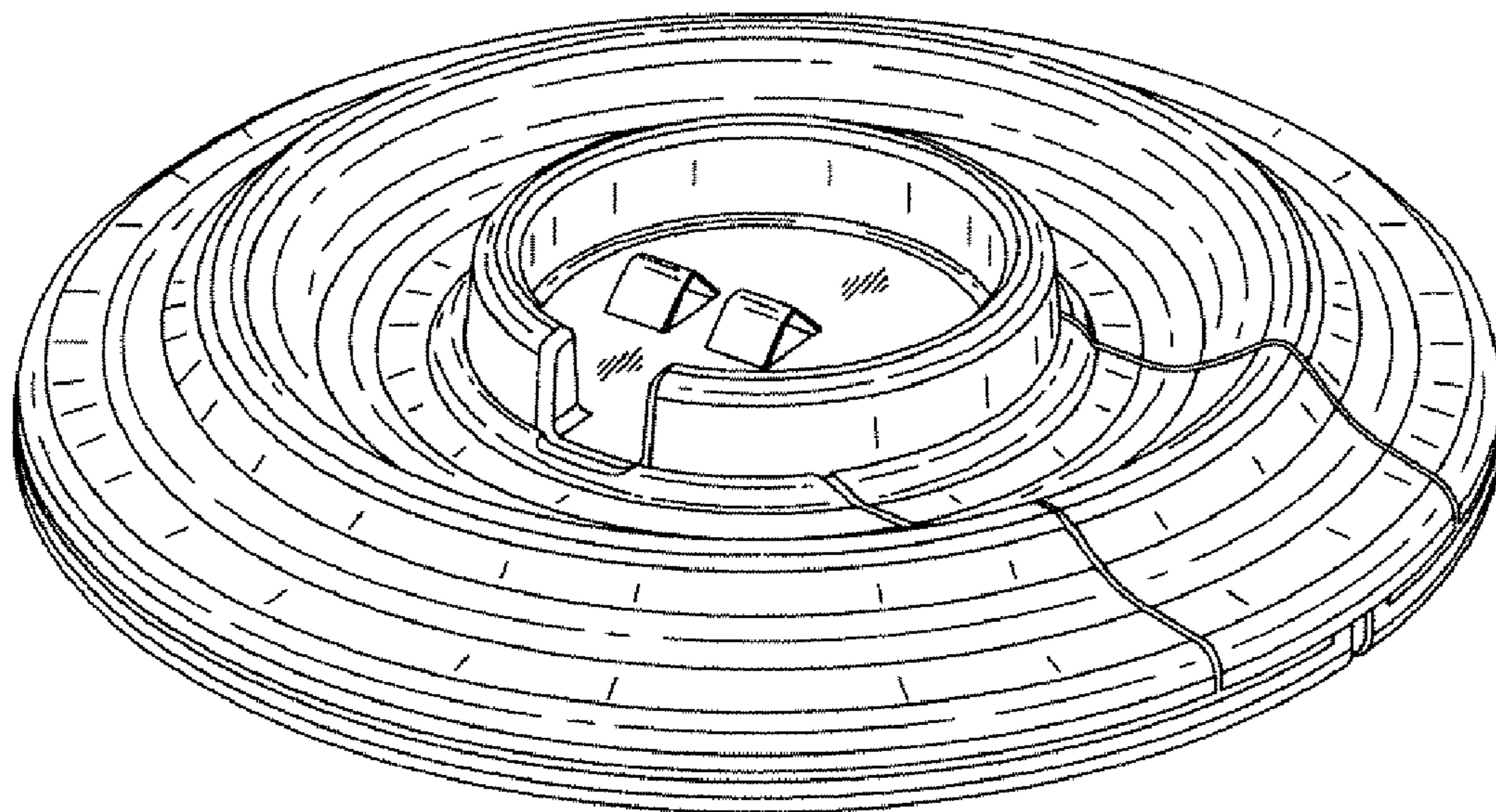
FIG. 4 is a left side view of the charger base according to FIG. 1.

FIG. 5 is a right side view of the charger base according to FIG. 1.

FIG. 6 is a front view of the charger base according to FIG. 1; and,

FIG. 7 is a rear view of the charger base according to FIG. 1.

1 Claim, 5 Drawing Sheets



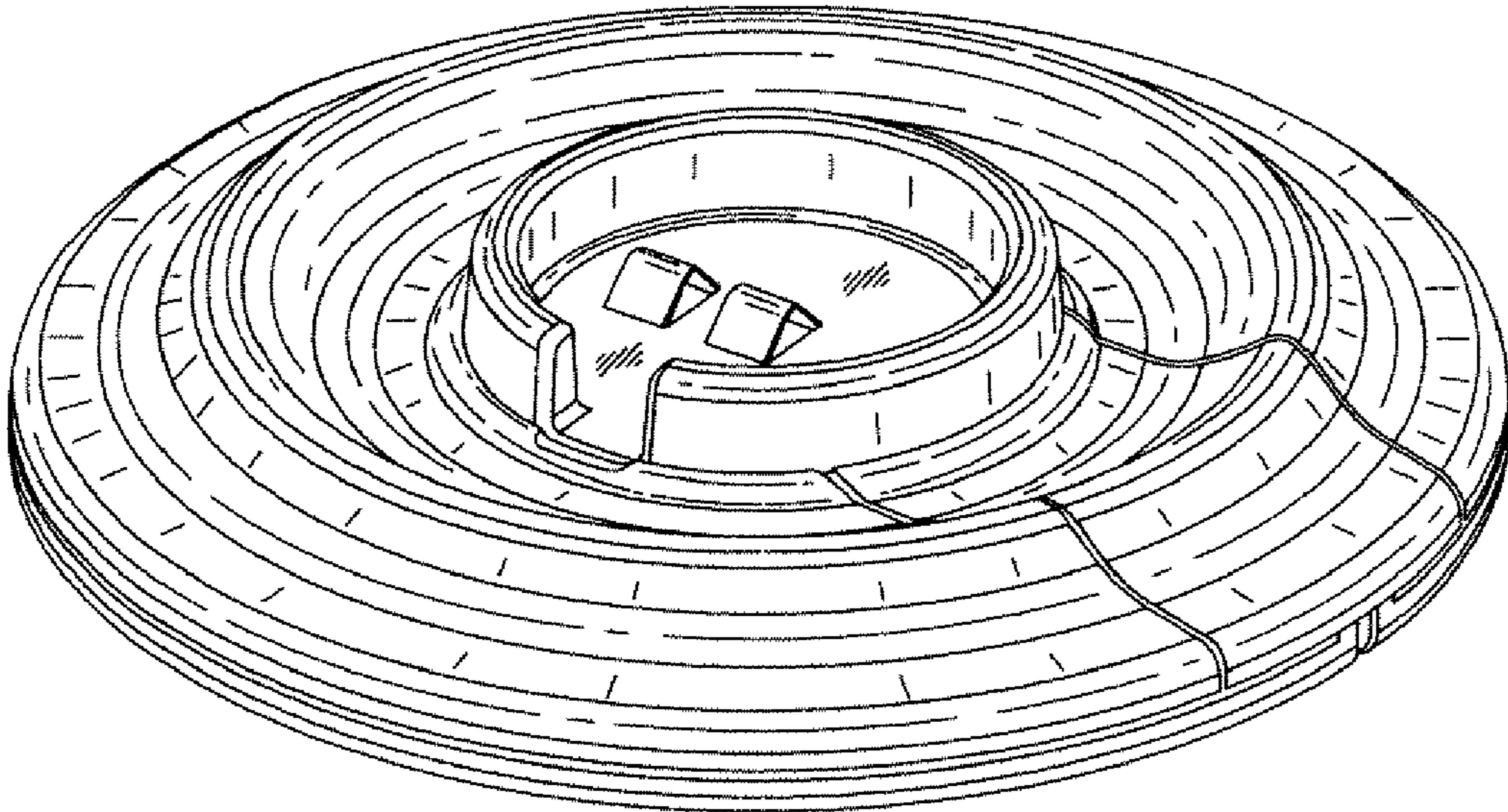


FIG. 1

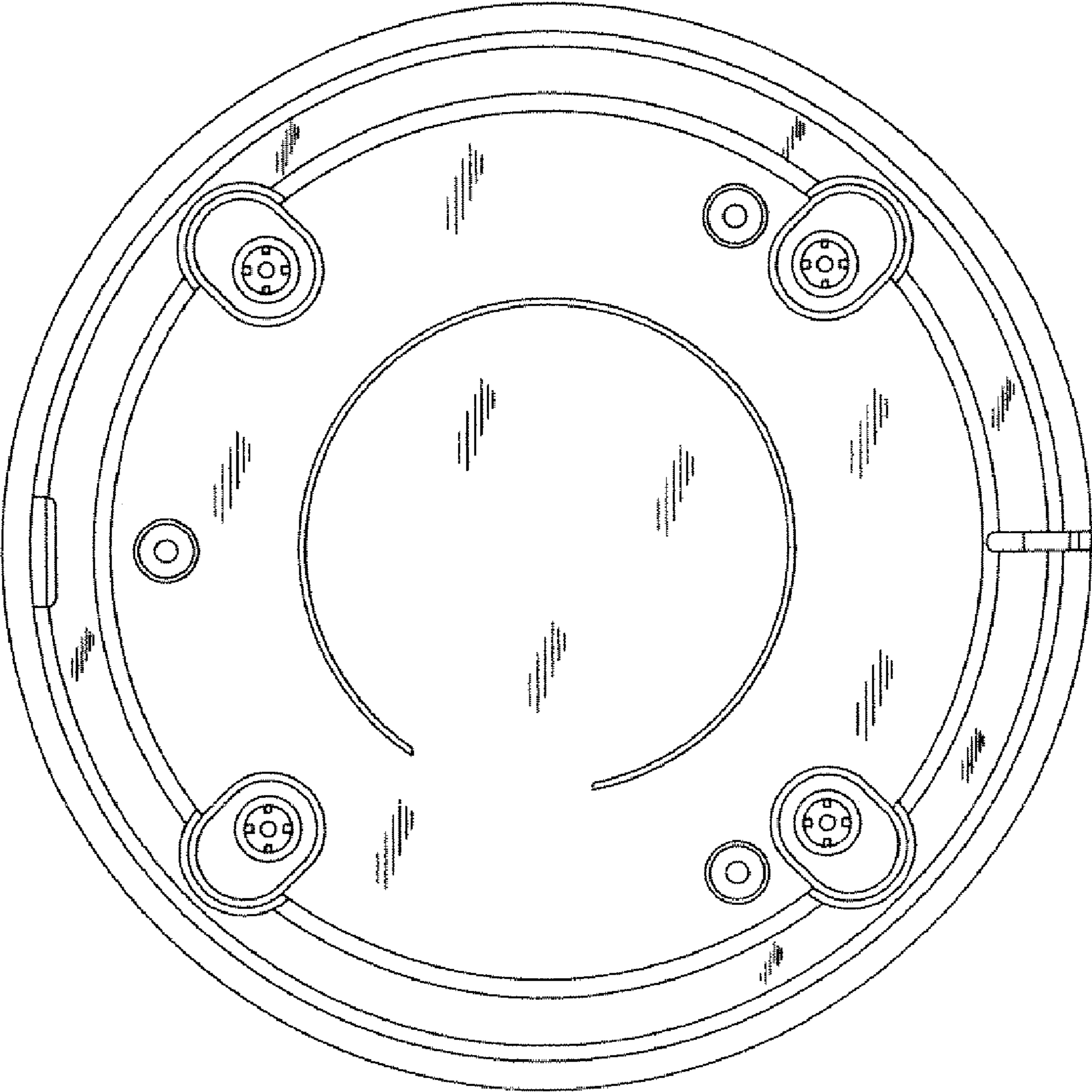


FIG. 2

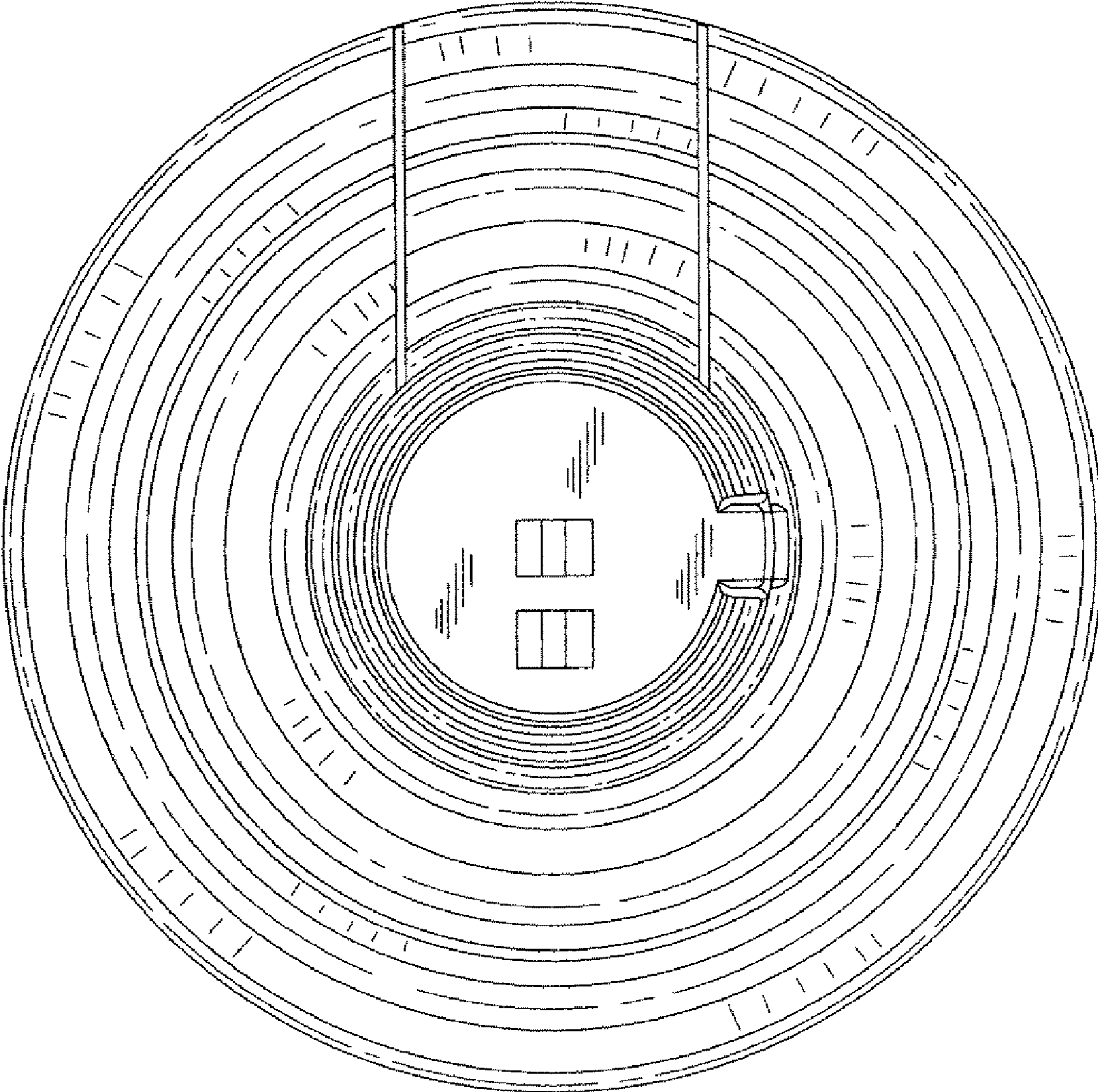


FIG.3

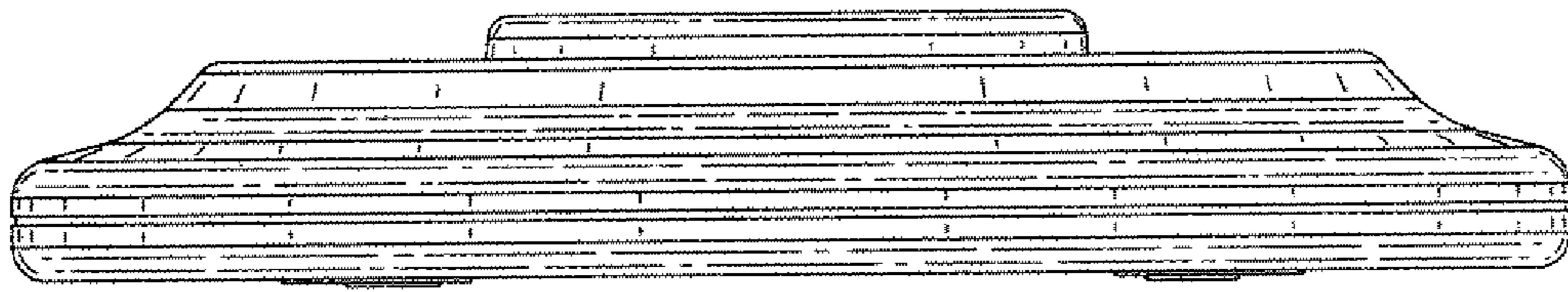


FIG. 4

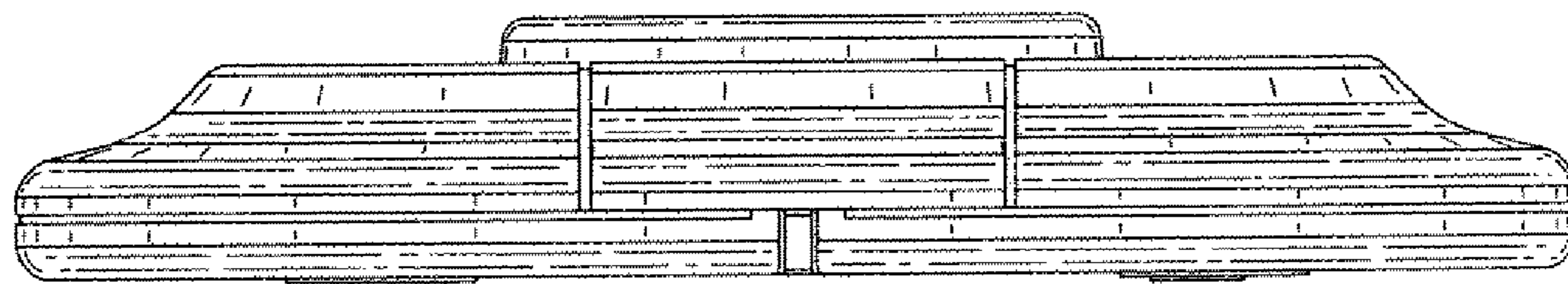


FIG. 5

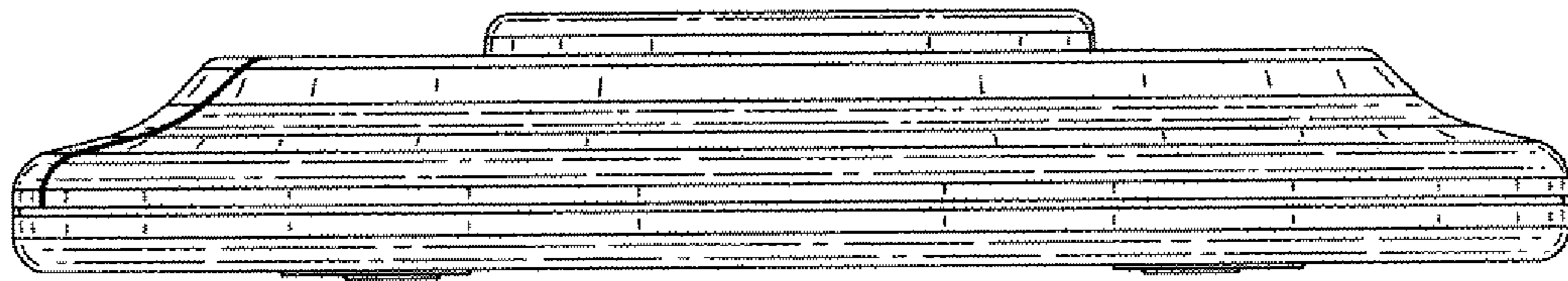


FIG. 6

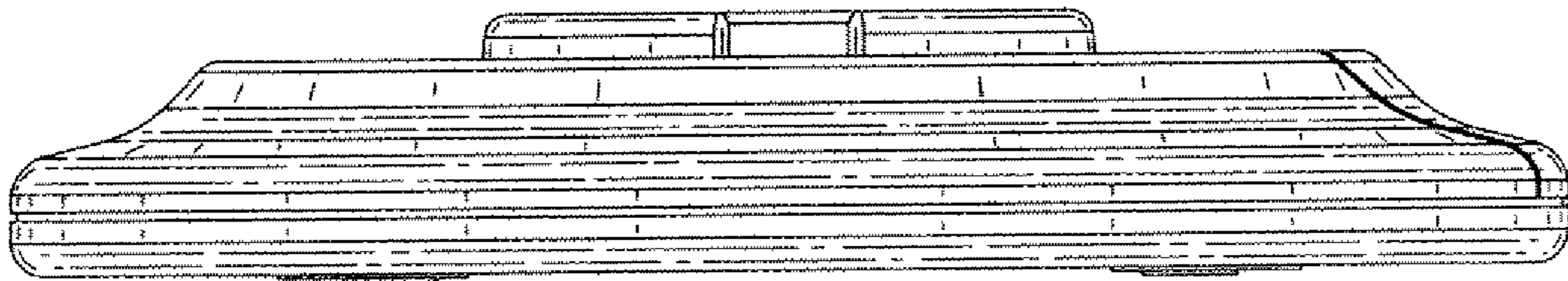


FIG. 7