



US00D627717S

(12) **United States Design Patent**  
**Munoz et al.**

(10) **Patent No.:** **US D627,717 S**  
(45) **Date of Patent:** **\*\* Nov. 23, 2010**

(54) **SUPPORT FRAME RAIL FOR SUPPORTING  
A PHOTOVOLTAIC PANEL ON A SURFACE**

2009/0019796 A1 1/2009 Liebendorfer

**OTHER PUBLICATIONS**

(75) Inventors: **Donald L. Munoz**, Bloomfield Hills, MI (US); **Jeffrey M. Aftanas**, Ortonville, MI (US)

Hilti. "Harness the Power of the Sun," dated at least Dec. 31, 2009, 2 Pages.

Takashima & Co., Ltd. "Smart Rack," dated at least Jan. 7, 2010, 4 Pages.

(73) Assignee: **JAC-Rack, Inc.**, Pontiac, MI (US)

IronRidge. "Solar Mounting Made Simple," dated at least Jan. 7, 2010, 2 Pages.

(\*\*) Term: **14 Years**

DPW/Solar. "Power Rail Top-Clamp Mounting System Catalog," dated at least Dec. 31, 2008. 2 Pages.

(21) Appl. No.: **29/353,445**

(Continued)

(22) Filed: **Jan. 8, 2010**

*Primary Examiner*—Prabhakar Deshmukh

*Assistant Examiner*—Derrick Holland

(51) **LOC (9) Cl.** ..... **13-02**

(52) **U.S. Cl.** ..... **D13/102**

(58) **Field of Classification Search** ..... D13/102,  
D13/118, 184, 199; D8/349, 354, 355, 356;  
D25/119, 123, 124, 125; 52/173.3, 460;  
126/573, 580; 136/206, 244–251, 256, 291,  
136/292

(74) *Attorney, Agent, or Firm*—Harness, Dickey & Pierce, P.L.C.

(57) **CLAIM**

The ornamental design for a support frame rail for supporting a photovoltaic panel on a surface, as shown and described.

See application file for complete search history.

**DESCRIPTION**

(56) **References Cited**

**U.S. PATENT DOCUMENTS**

D242,626	S	*	12/1976	Scrivener	.....	D25/123
D256,840	S	*	9/1980	Katz	.....	D13/102
4,429,178	A	*	1/1984	Prideaux et al.	.....	136/246
4,995,377	A	*	2/1991	Eiden	.....	126/605
5,228,924	A	*	7/1993	Barker et al.	.....	136/246
5,685,151	A	*	11/1997	Ross	.....	60/641.8
D413,506	S	*	9/1999	Sikkila et al.	.....	D8/354
D429,625	S	*	8/2000	Sikkila et al.	.....	D8/354
6,563,040	B2	*	5/2003	Hayden et al.	.....	136/244
D510,315	S	*	10/2005	Shugar et al.	.....	D13/102
7,260,918	B2		8/2007	Liebendorfer		
D550,861	S	*	9/2007	Brabeck et al.	.....	D25/123
D556,022	S	*	11/2007	Henry	.....	D8/356
D564,958	S	*	3/2008	Almy et al.	.....	D13/102
7,434,362	B2		10/2008	Liebendorfer		
7,600,349	B2		10/2009	Liebendorfer		
2004/0238025	A1	*	12/2004	Shingleton	.....	136/246

FIG. 1 is a front, right perspective view of a support frame rail for supporting a photovoltaic panel on a surface showing our new design;

FIG. 2 is a front, left perspective view thereof;

FIG. 3 is a top plan view thereof;

FIG. 4 is a left side elevation view thereof;

FIG. 5 is a right side elevation view thereof;

FIG. 6 is a bottom plan view thereof;

FIG. 7 is a front, right perspective view of a support frame rail for supporting a photovoltaic panel on a surface in accordance with a second embodiment showing our new design;

FIG. 8 is a front, left perspective view thereof;

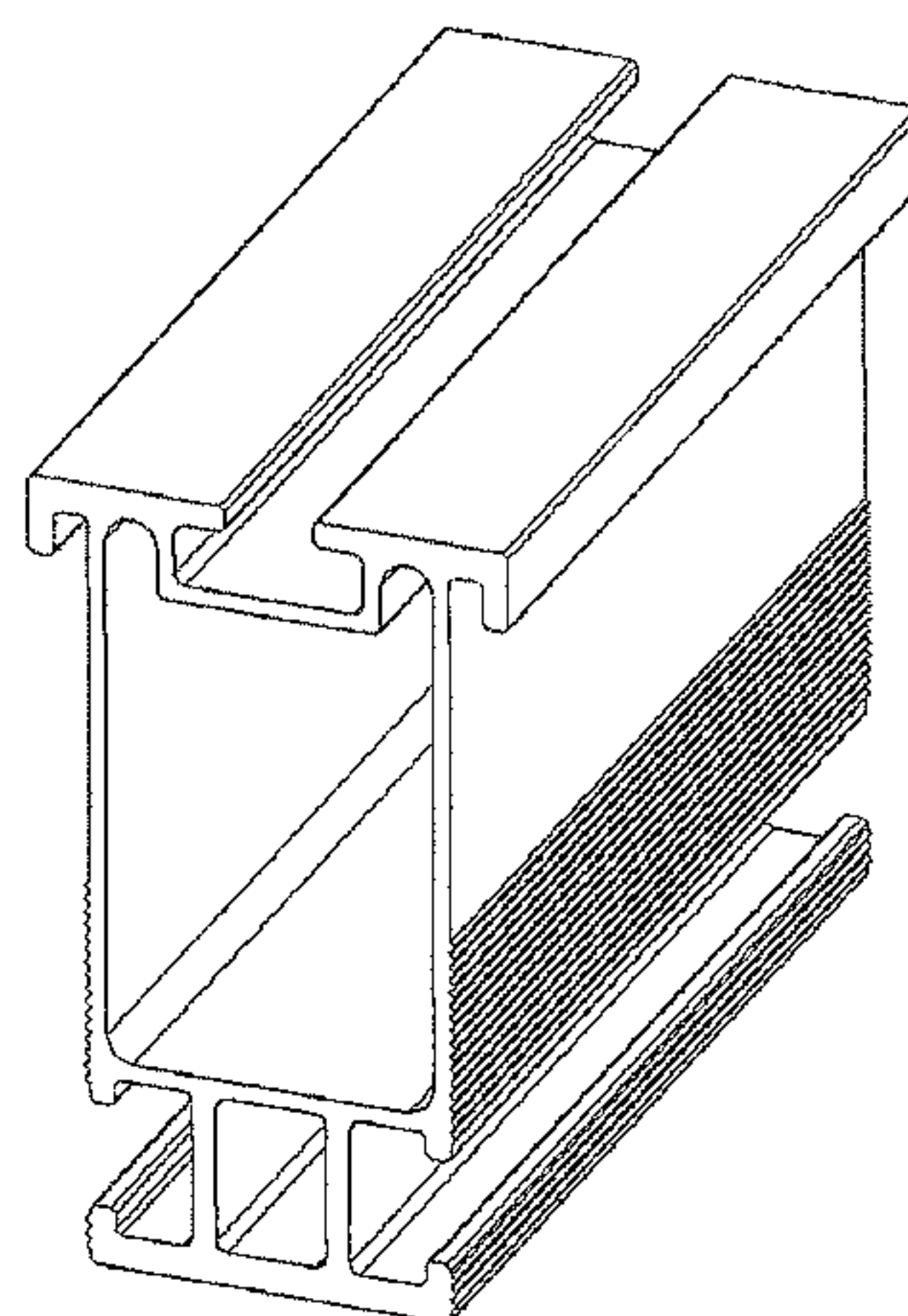
FIG. 9 is a top plan view thereof;

FIG. 10 is a left side elevation view thereof;

FIG. 11 is a right side elevation view thereof; and,

FIG. 12 is a bottom plan view thereof.

**1 Claim, 12 Drawing Sheets**



OTHER PUBLICATIONS

- Schletter. "Schletter Solar Mounting Systems Components Overview," dated at least Dec. 31, 2009, 2 Pages.
- Schletter. "Schletter Solar Mounting Systems Mounting and Project Planning," dated at least Dec. 31, 2009, 3 Pages.
- UniRac. "SolarMount Light Rail," dated at least Dec. 31, 2008, 1 Page.
- UniRac. "Installation Detail SolarMount Heavy Duty Rail Top Down Clamps," dated at least Dec. 31, 2009, 1 Page.
- UniRac. "SolarMount/SunFrame 4" Aluminum Serrated L-Foot," dated at least Dec. 31, 2008, 1 Page.
- UniRac. "Installation Detail SolarMount Rail L-Foot Connection," dated at least Dec. 31, 2008, 1 Page.
- UniRac. "SolarMount Heavy Duty Rail," dated at least Dec. 31, 2008, 1 Page.
- UniRac. "SolarMount Standard Rail," dated at least Dec. 31, 2008, 1 Page.
- Conergy. "Conergy SunTop," dated at least Dec. 31, 2009, 1 Page.
- Conergy. "Conergy SolarGiant III," dated at least Dec. 31, 2009, 1 Page.
- UniRac. "SunFrame Threaded Slot Rail," dated at least Jan. 7, 2010, 1 Page.
- \* cited by examiner

FIG. 1

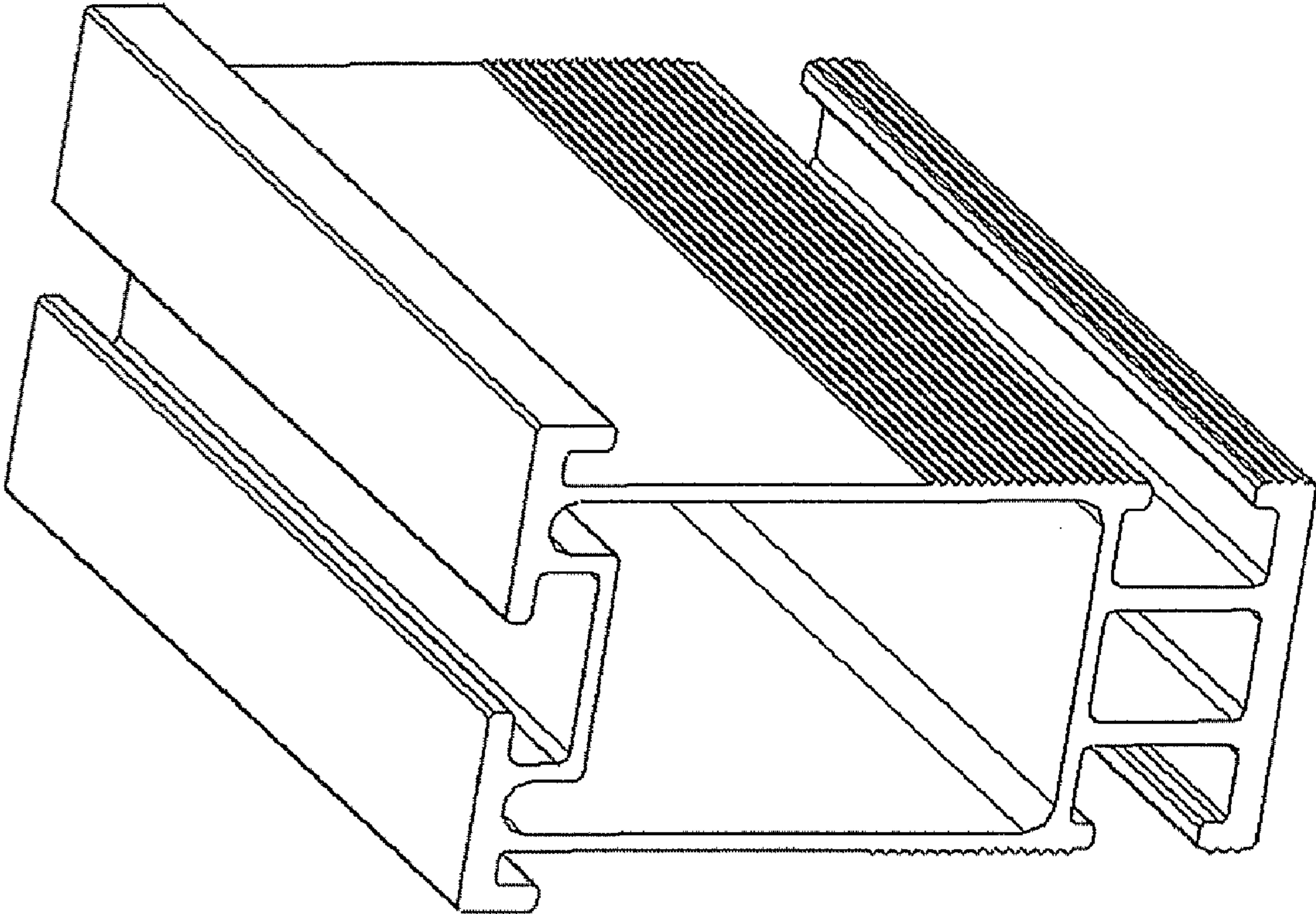




FIG. 2

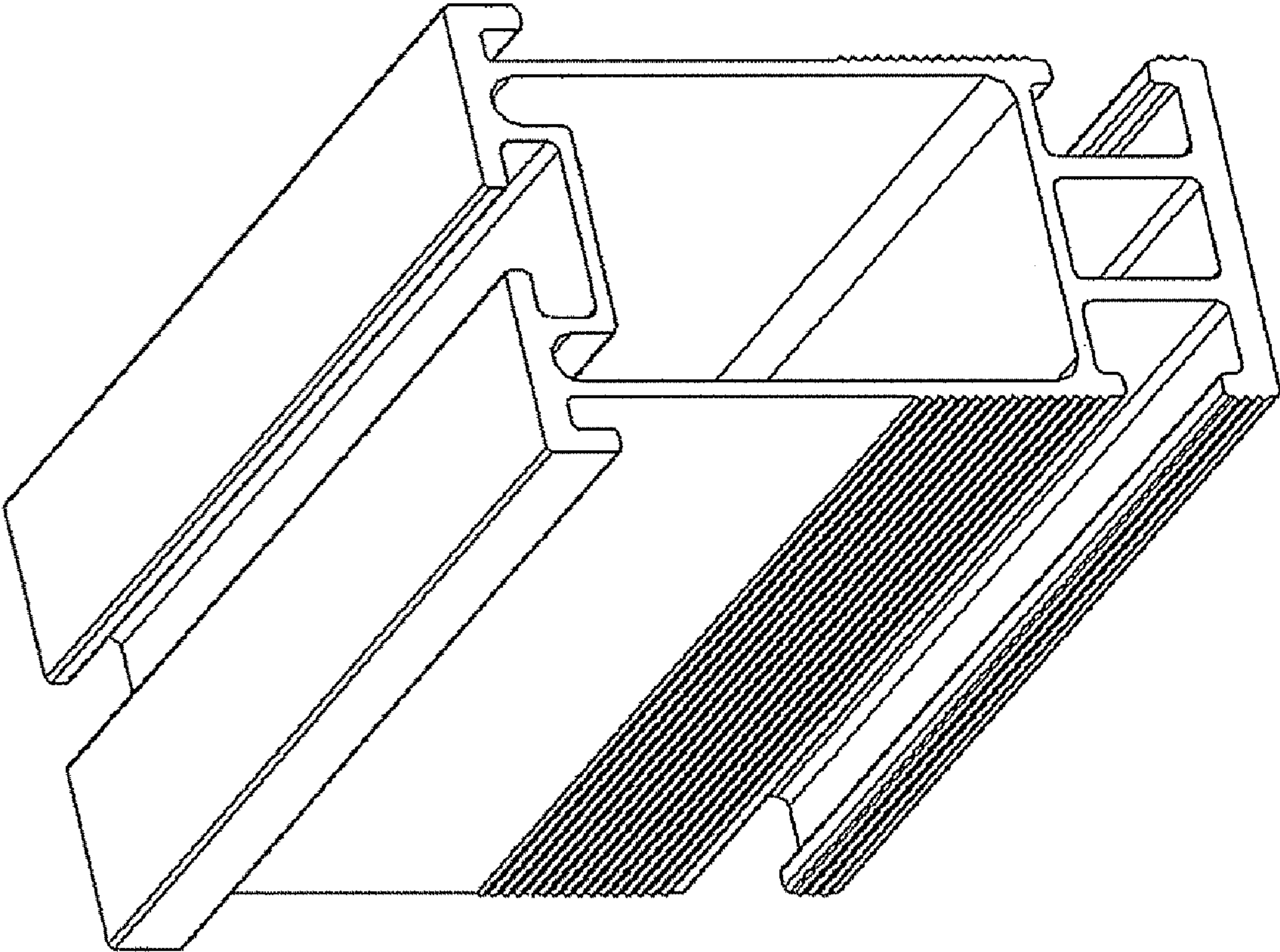


FIG. 3

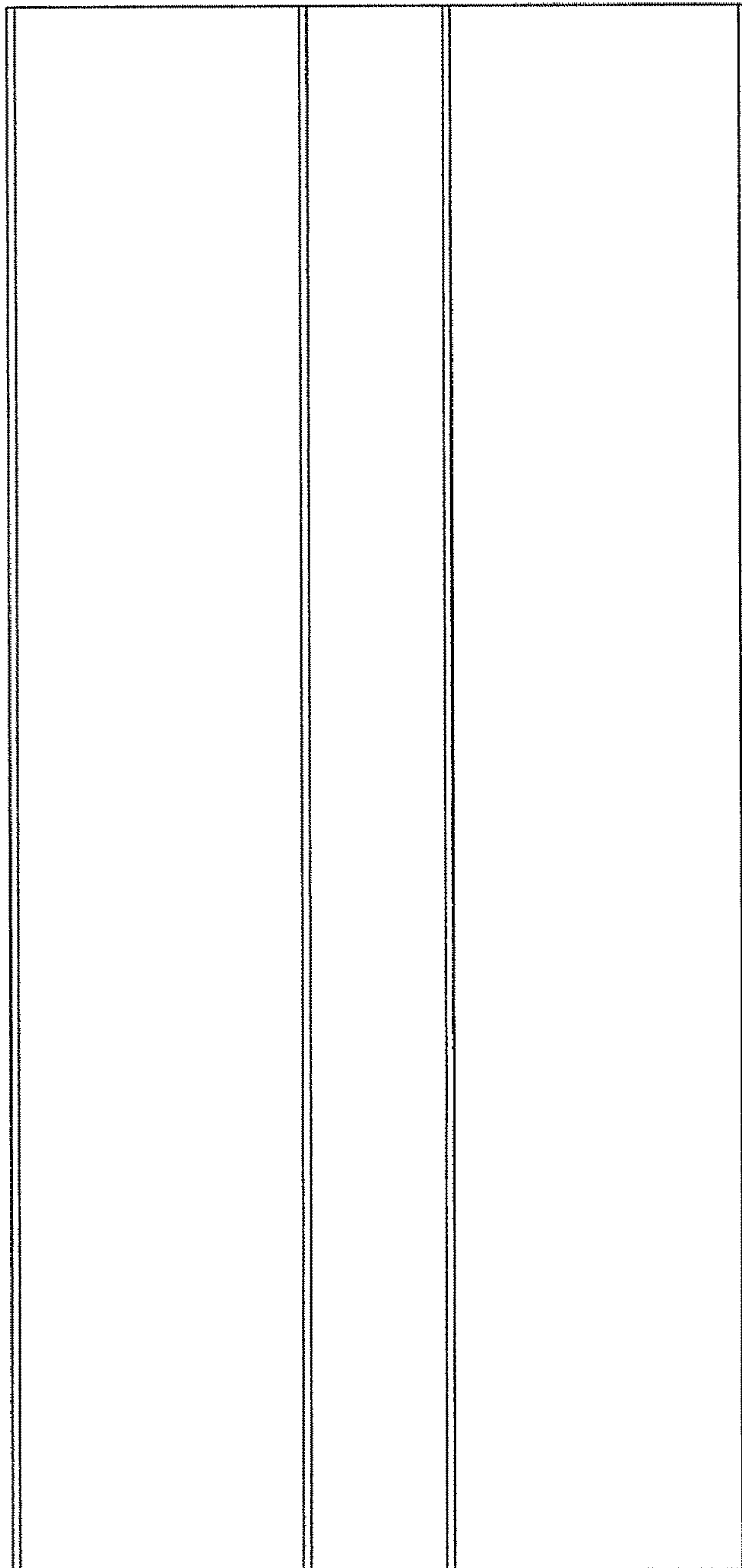


FIG. 4

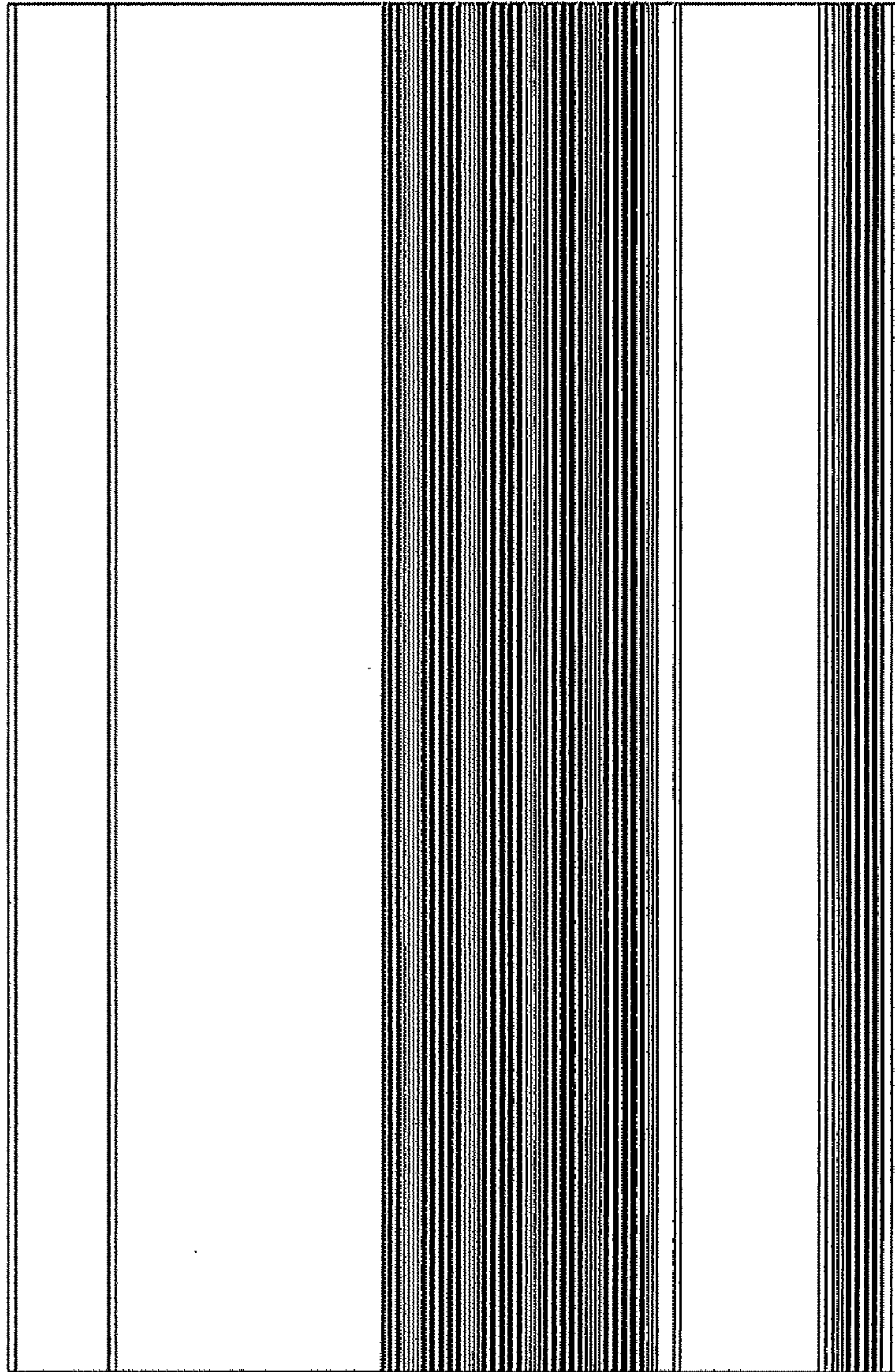




FIG. 5

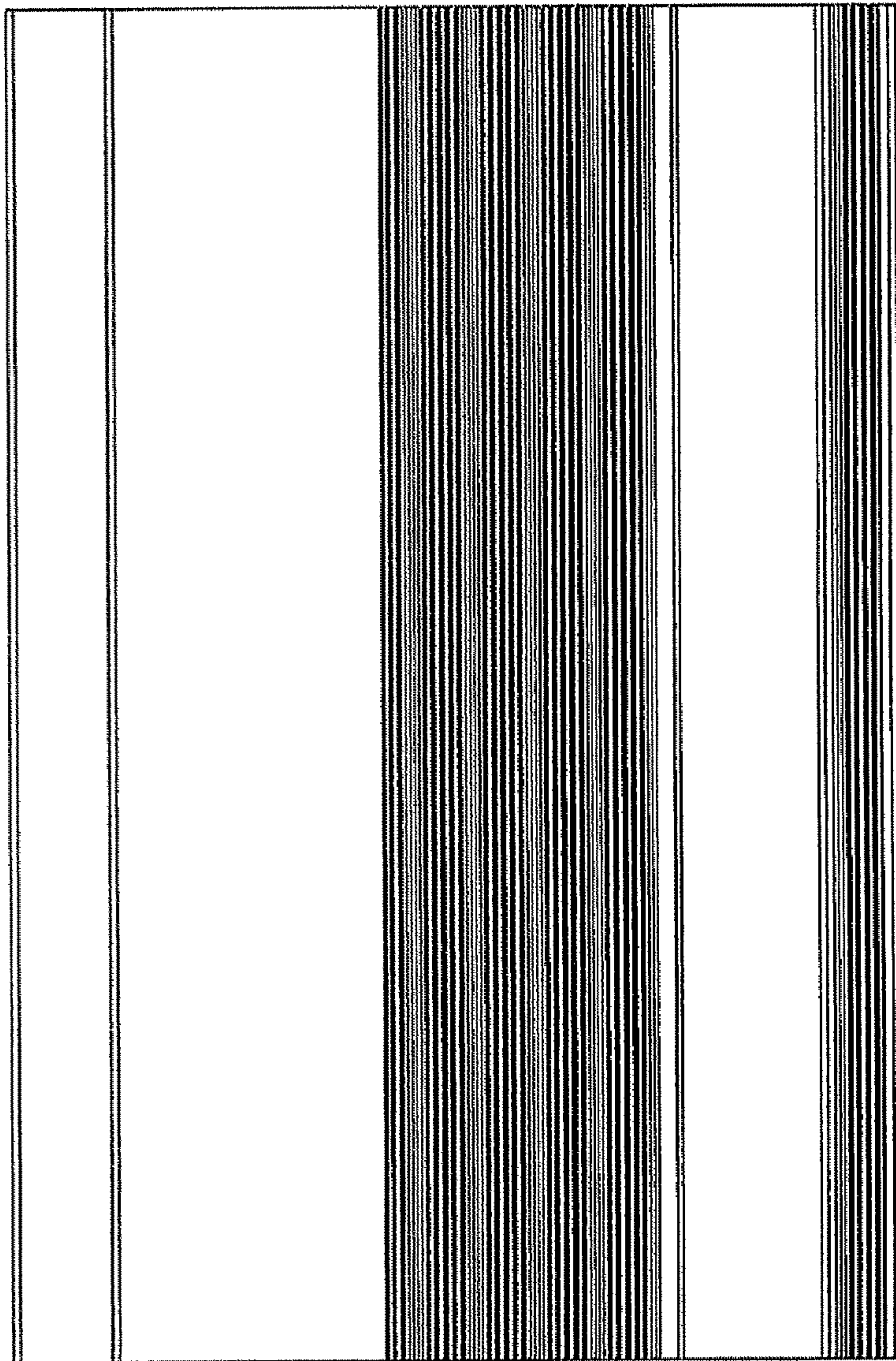


FIG. 6

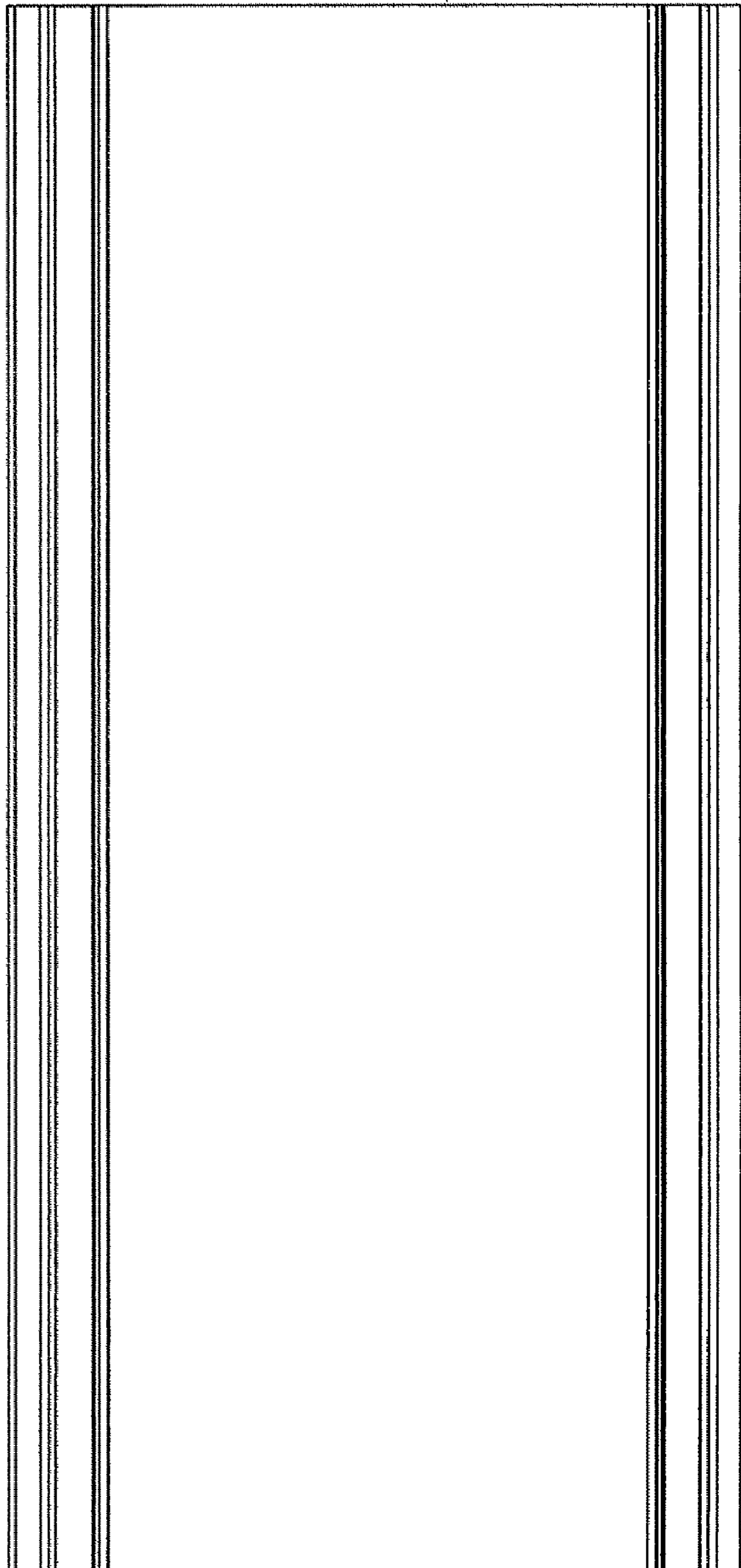




FIG. 7

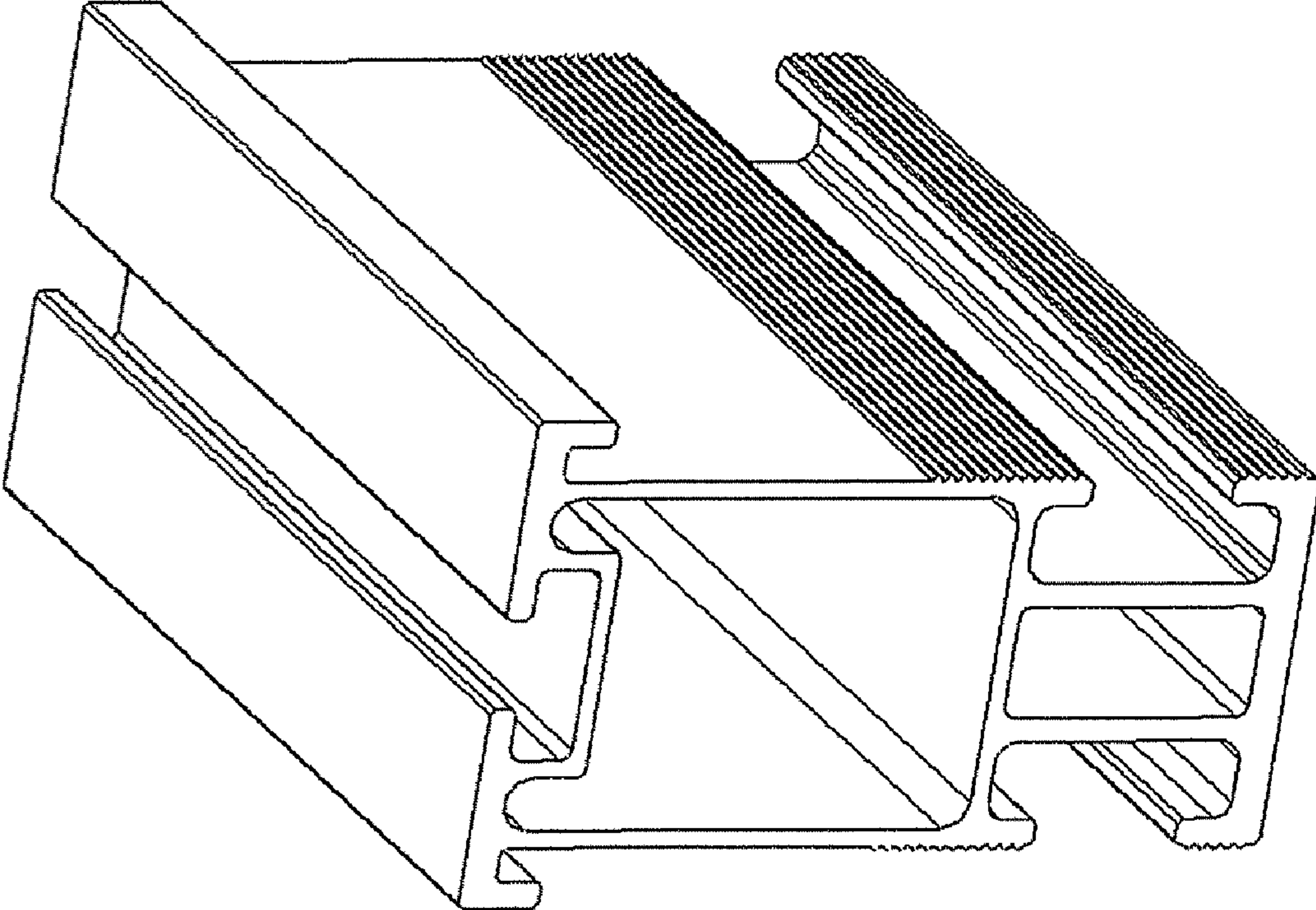


FIG. 8

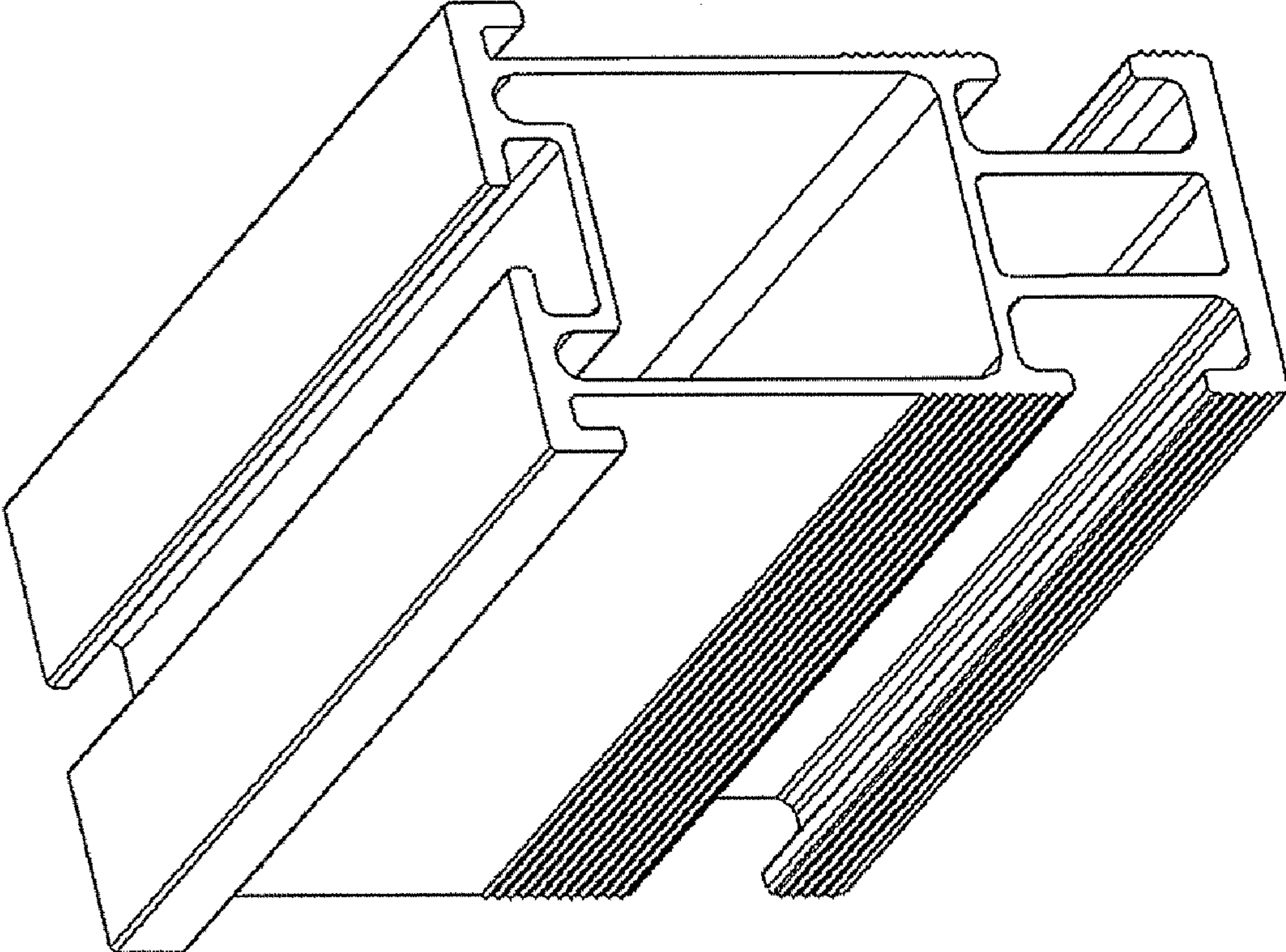


FIG. 9

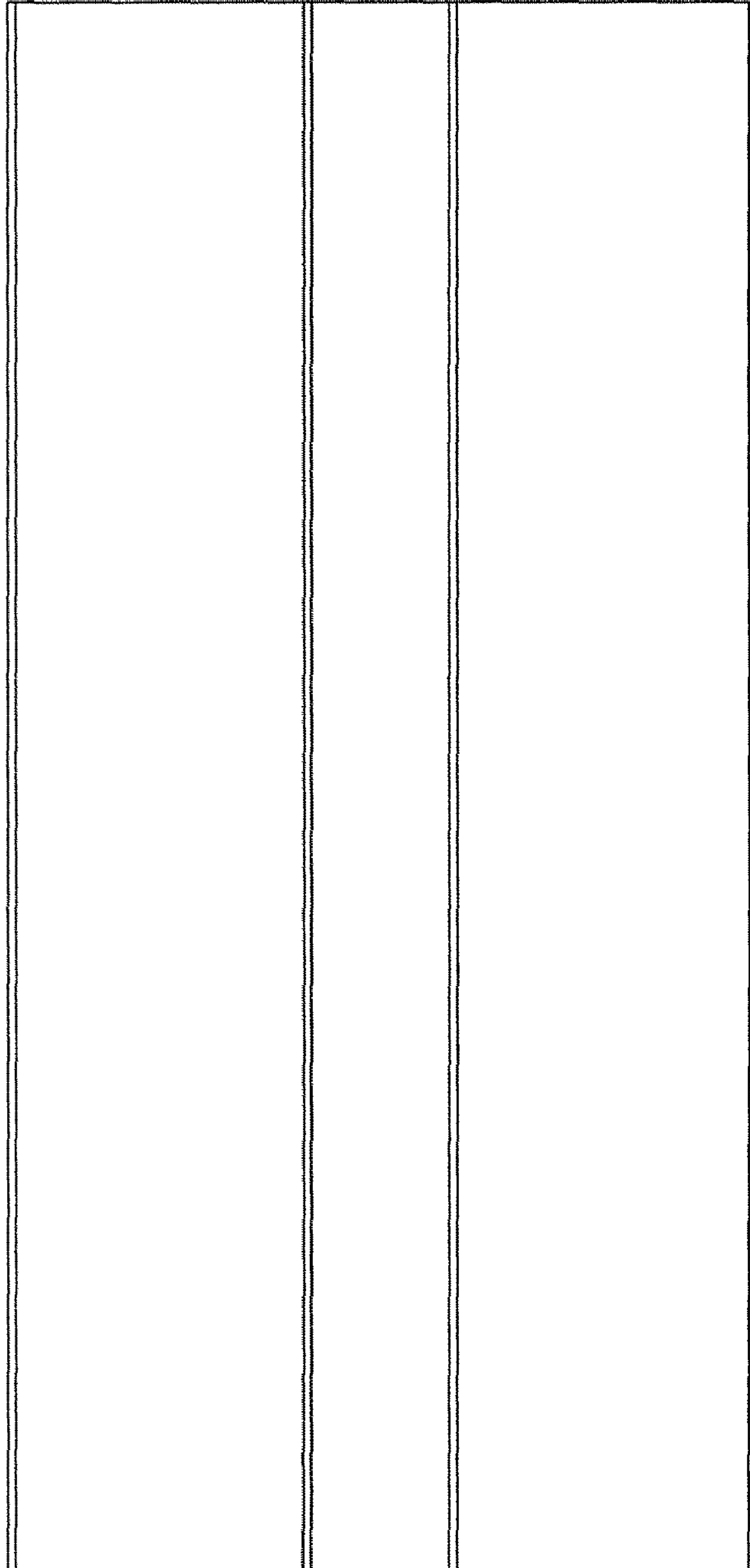




FIG. 10

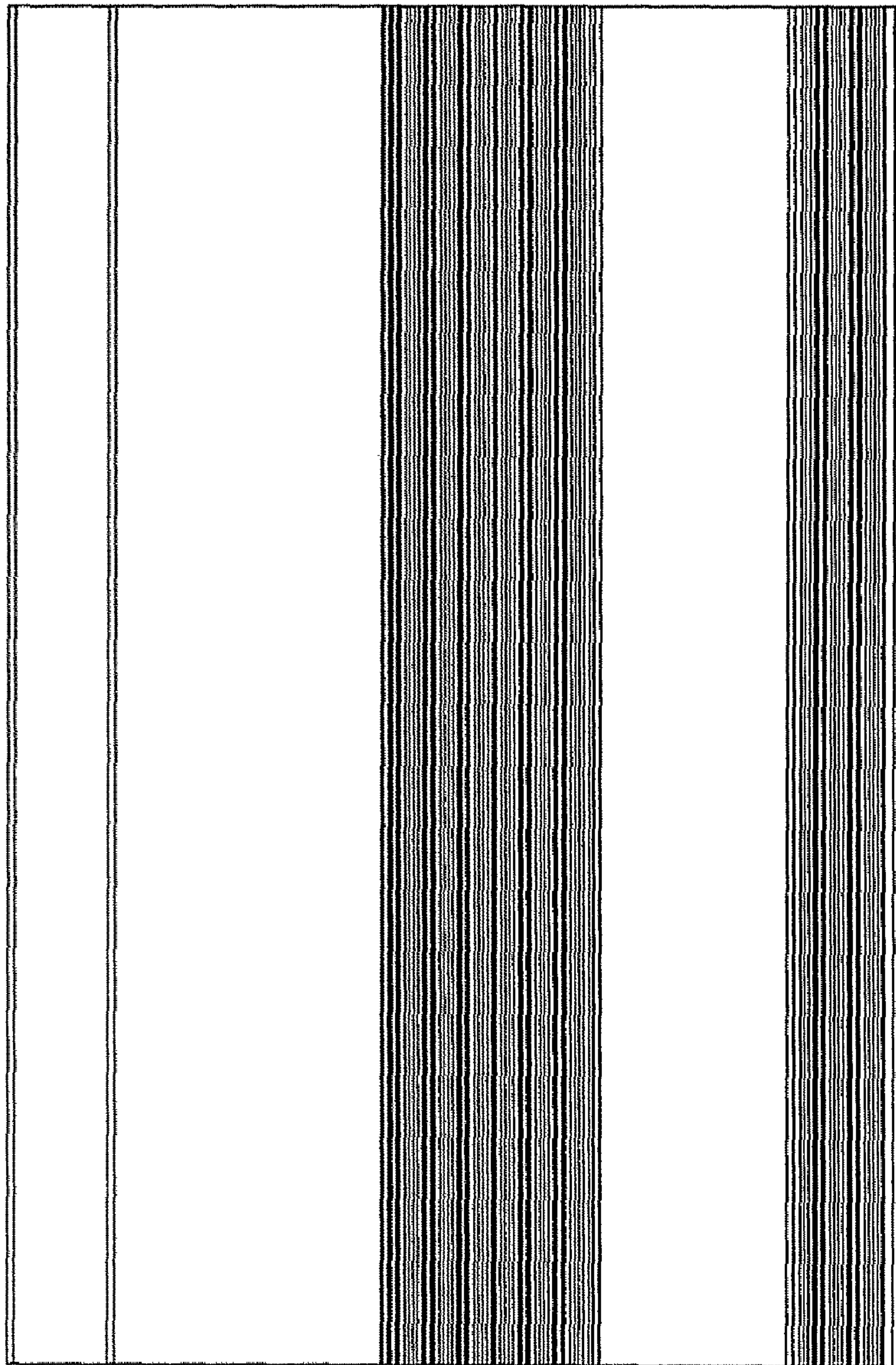


FIG. 11

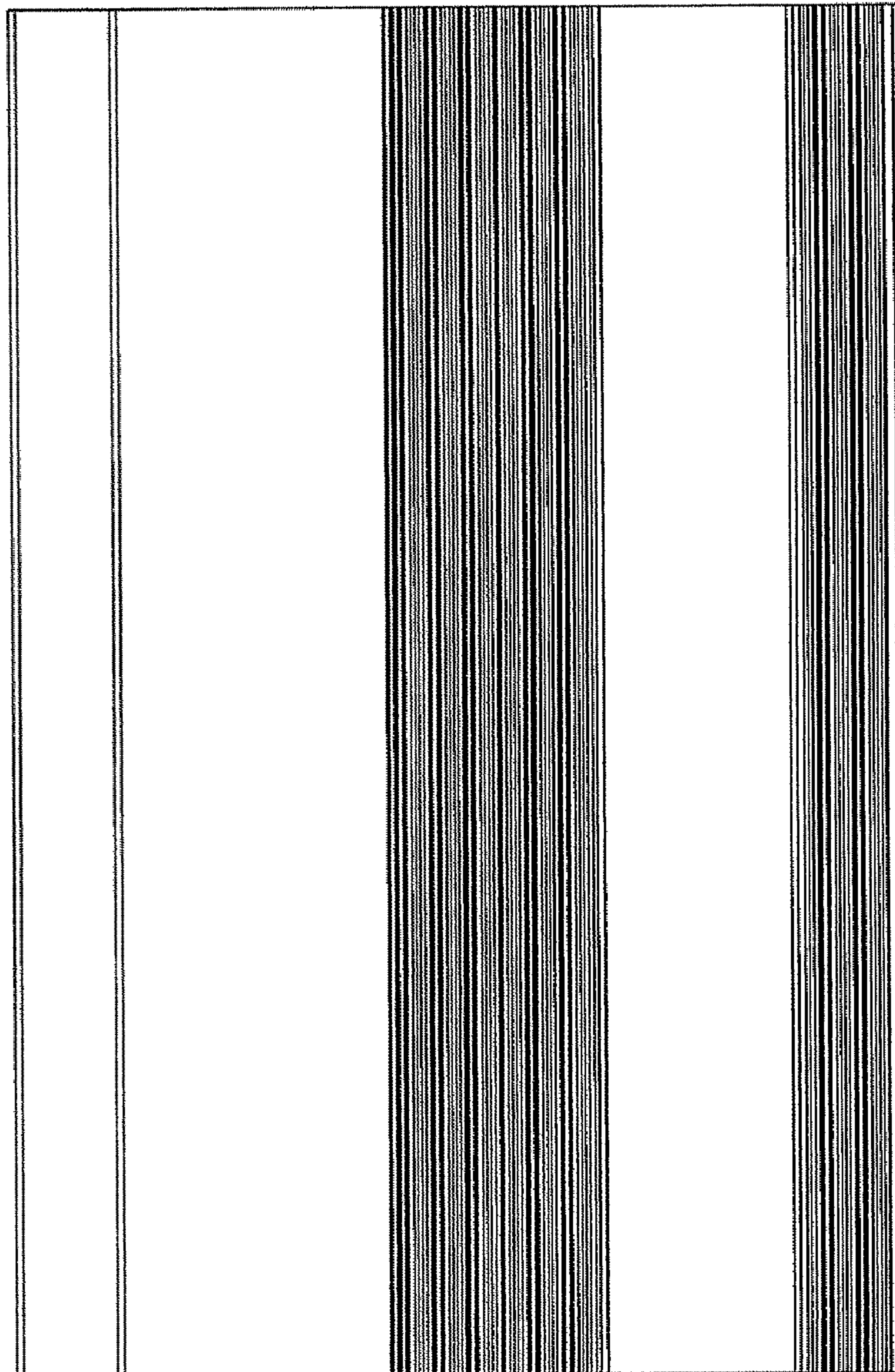




FIG. 12

