



US00D627714S

(12) **United States Design Patent**  
**Miyazaki**

(10) **Patent No.:** **US D627,714 S**

(45) **Date of Patent:** **\*\* Nov. 23, 2010**

(54) **TIRE**

D593,486 S \* 6/2009 Yonetsu ..... D12/605  
D596,116 S \* 7/2009 Fujita ..... D12/605

(75) Inventor: **Tetsuji Miyazaki**, Osaka (JP)

FOREIGN PATENT DOCUMENTS

(73) Assignee: **Toyo Tire & Rubber Co., Ltd.**, Osaka (JP)

JP 740871 5/1988  
JP 919982 12/1994  
JP 1178025 5/2003  
JP 1334786 5/2008

(\*\*) Term: **14 Years**

\* cited by examiner

(21) Appl. No.: **29/359,387**

*Primary Examiner*—Stacia Cadmus

(22) Filed: **Apr. 9, 2010**

(74) *Attorney, Agent, or Firm*—Sterne, Kessler, Goldstein & Fox P.L.L.C.

(30) **Foreign Application Priority Data**

Apr. 1, 2010 (JP) ..... 2010-008377

(57) **CLAIM**

(51) **LOC (9) Cl.** ..... **12-15**

The ornamental design for a tire, as shown and described.

(52) **U.S. Cl.** ..... **D12/605**

**DESCRIPTION**

(58) **Field of Classification Search** ..... D12/500–501,  
D12/544–567, 579, 601, 605; 152/523–524,  
152/DIG. 12, 555; 40/587, 596

FIG. 1 is a perspective view of a tire showing my new design;

FIG. 2 is a front view thereof;

FIG. 3 is a rear view thereof;

See application file for complete search history.

FIG. 4 is a left side view thereof, for which the right side view is a mirror image;

FIG. 5 is a top plan view thereof, for which the bottom plan view is a mirror image;

(56) **References Cited**

U.S. PATENT DOCUMENTS

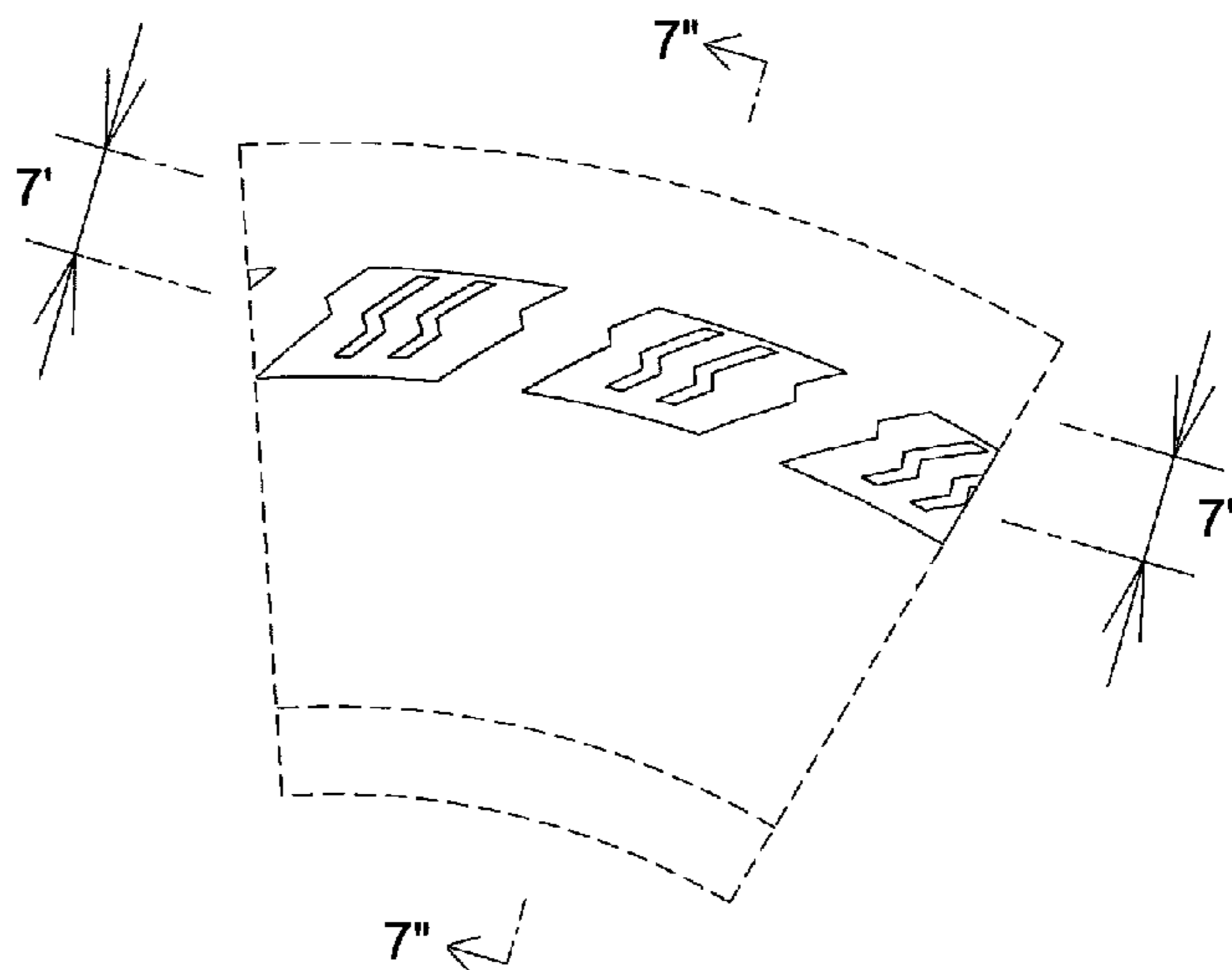
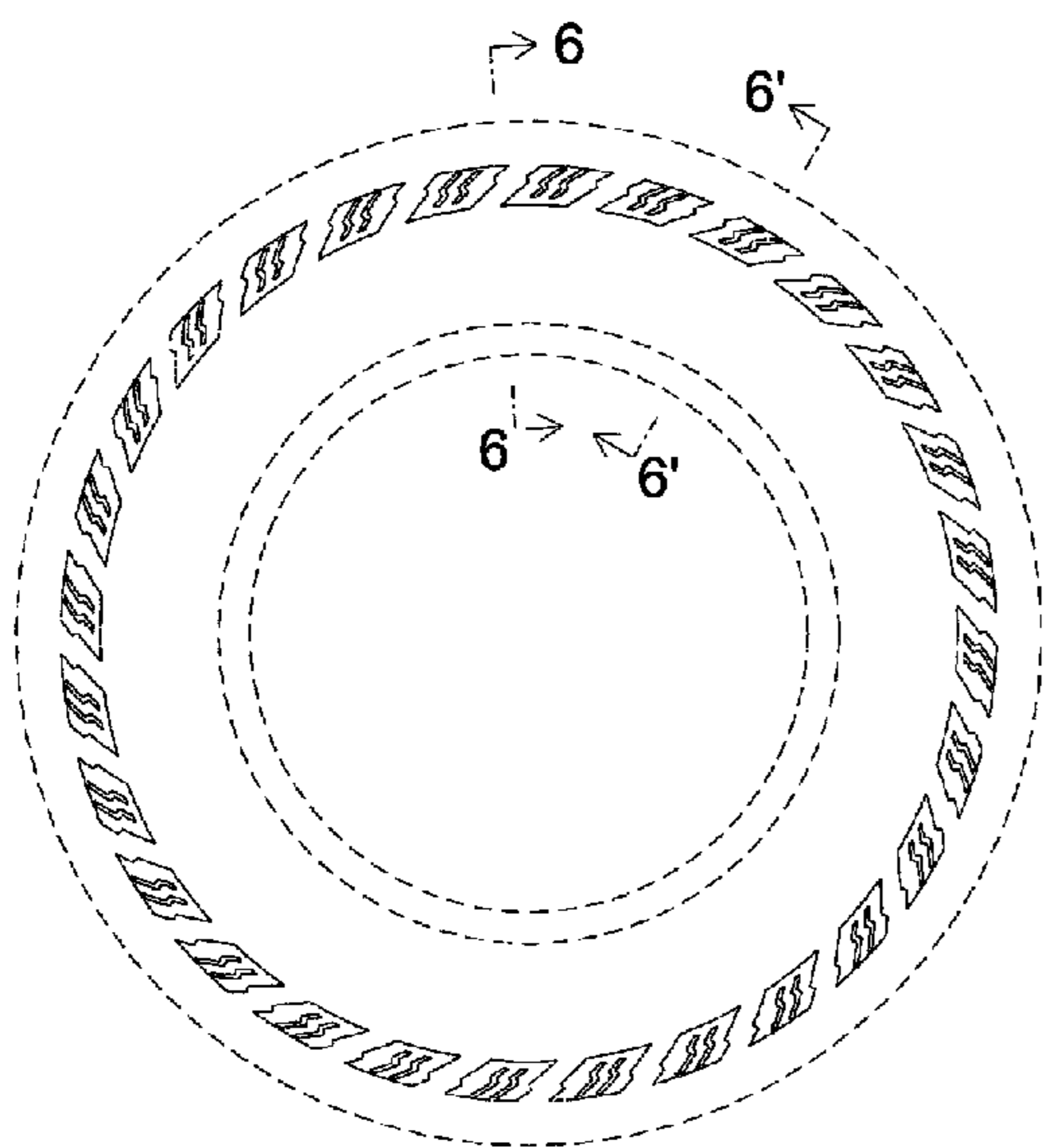
D265,813 S \* 8/1982 Sladky ..... D12/605  
D430,518 S \* 9/2000 Baker ..... D12/605  
D481,988 S \* 11/2003 Wachendorf ..... D12/500  
D495,294 S \* 8/2004 Ochi et al. .... D12/605  
D516,016 S \* 2/2006 Miyazaki et al. .... D12/605  
D536,664 S \* 2/2007 Miyazaki et al. .... D12/605  
D569,335 S \* 5/2008 Lee ..... D12/605  
D575,222 S \* 8/2008 Fujita ..... D12/605  
D575,728 S \* 8/2008 Harvey ..... D12/605  
D577,662 S \* 9/2008 Umstot et al. .... D12/605  
D592,591 S \* 5/2009 Kuwano ..... D12/605

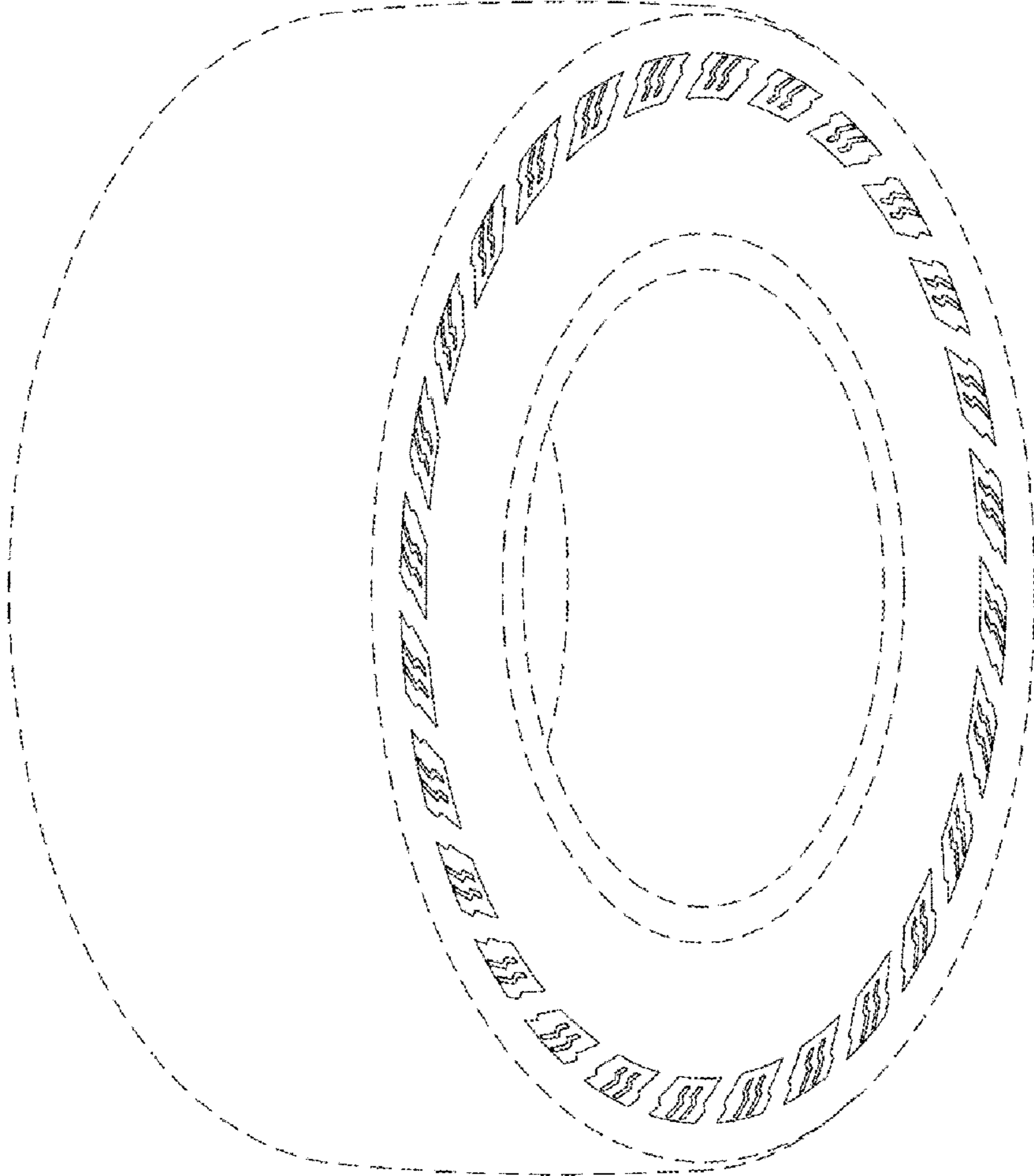
FIG. 6 is an enlarged view taken along lines 6—6 and 6'—6' in FIG. 2; and,

FIG. 7 is a cross-sectional view taken along line 7—7 in FIG. 5 and along lines 7'—7' and 7''—7'' in FIG. 6.

The broken lines in the Figures show portions of the tire that form no part of the claimed design.

**1 Claim, 7 Drawing Sheets**





**FIG. 1**

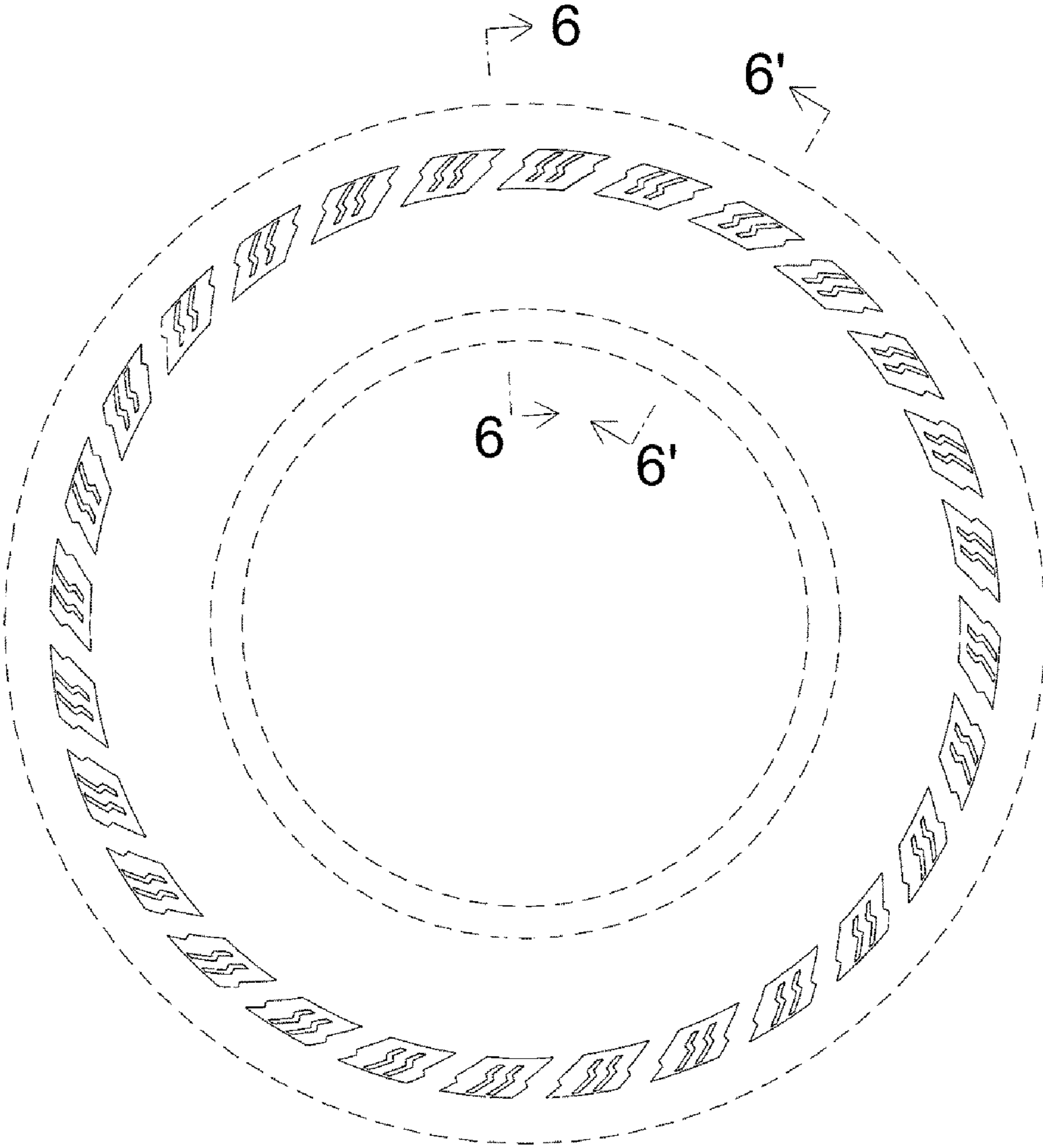
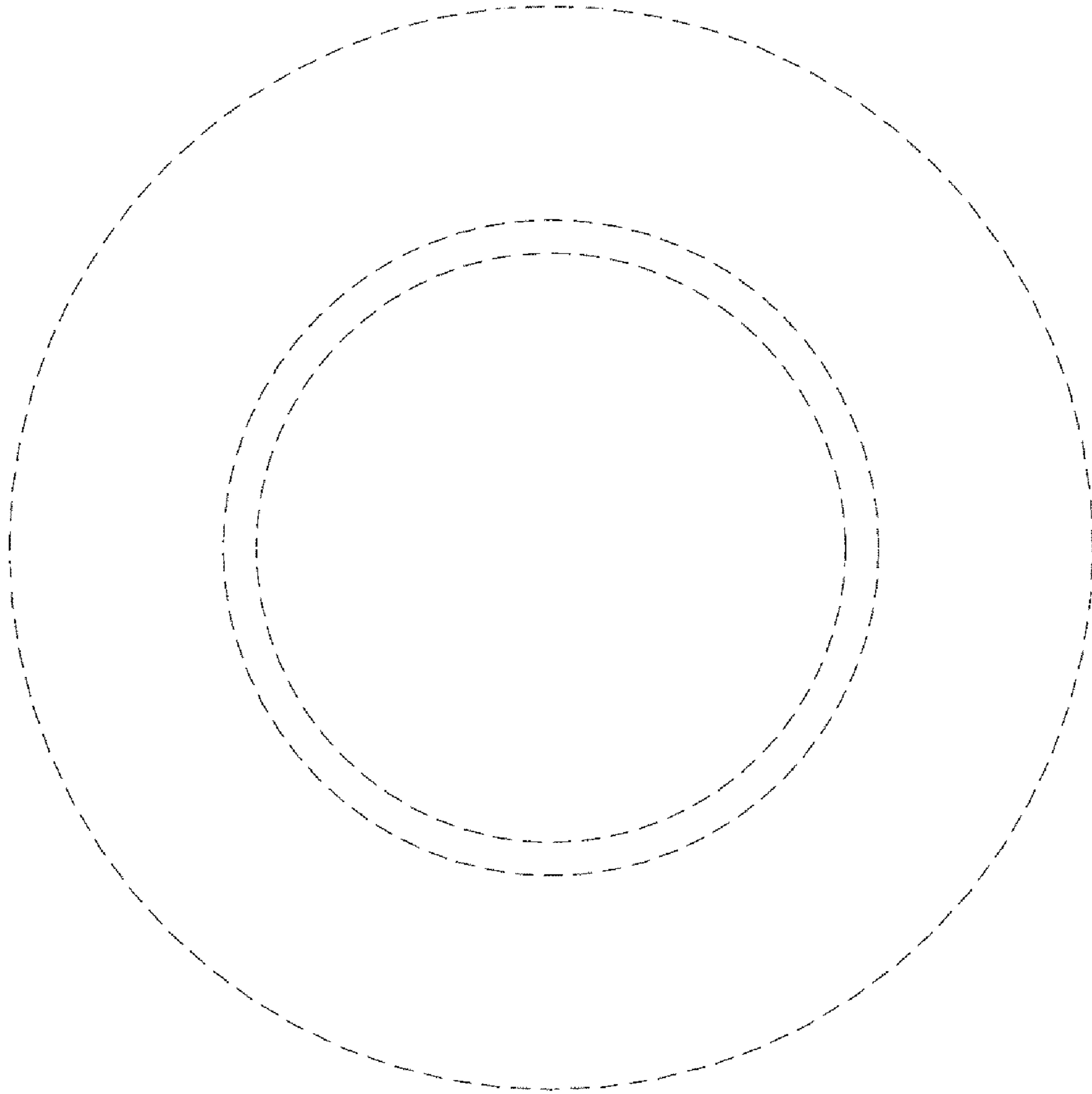
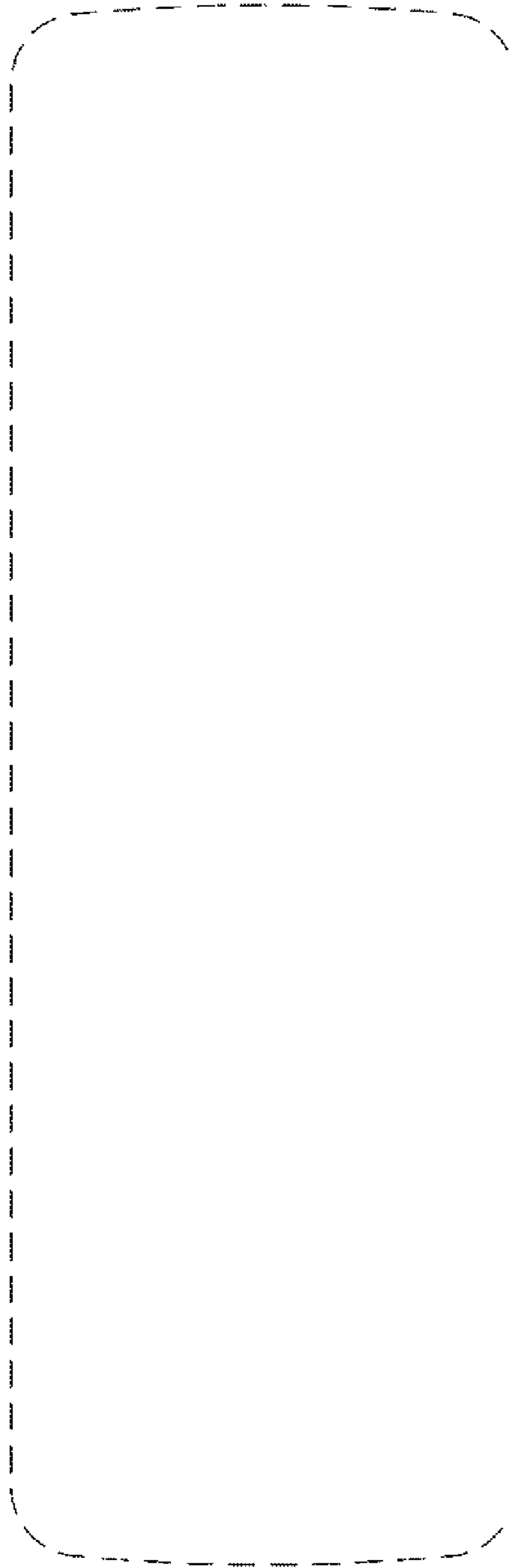


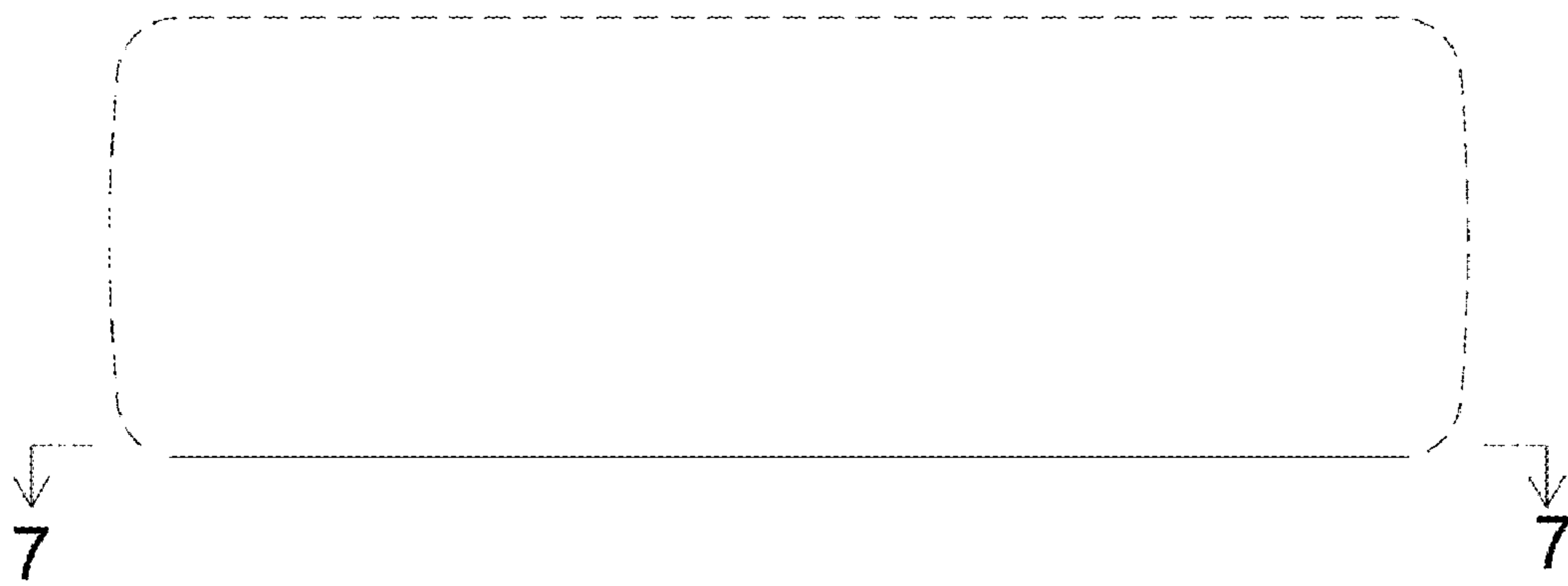
FIG. 2



**FIG. 3**



**FIG. 4**



**FIG. 5**

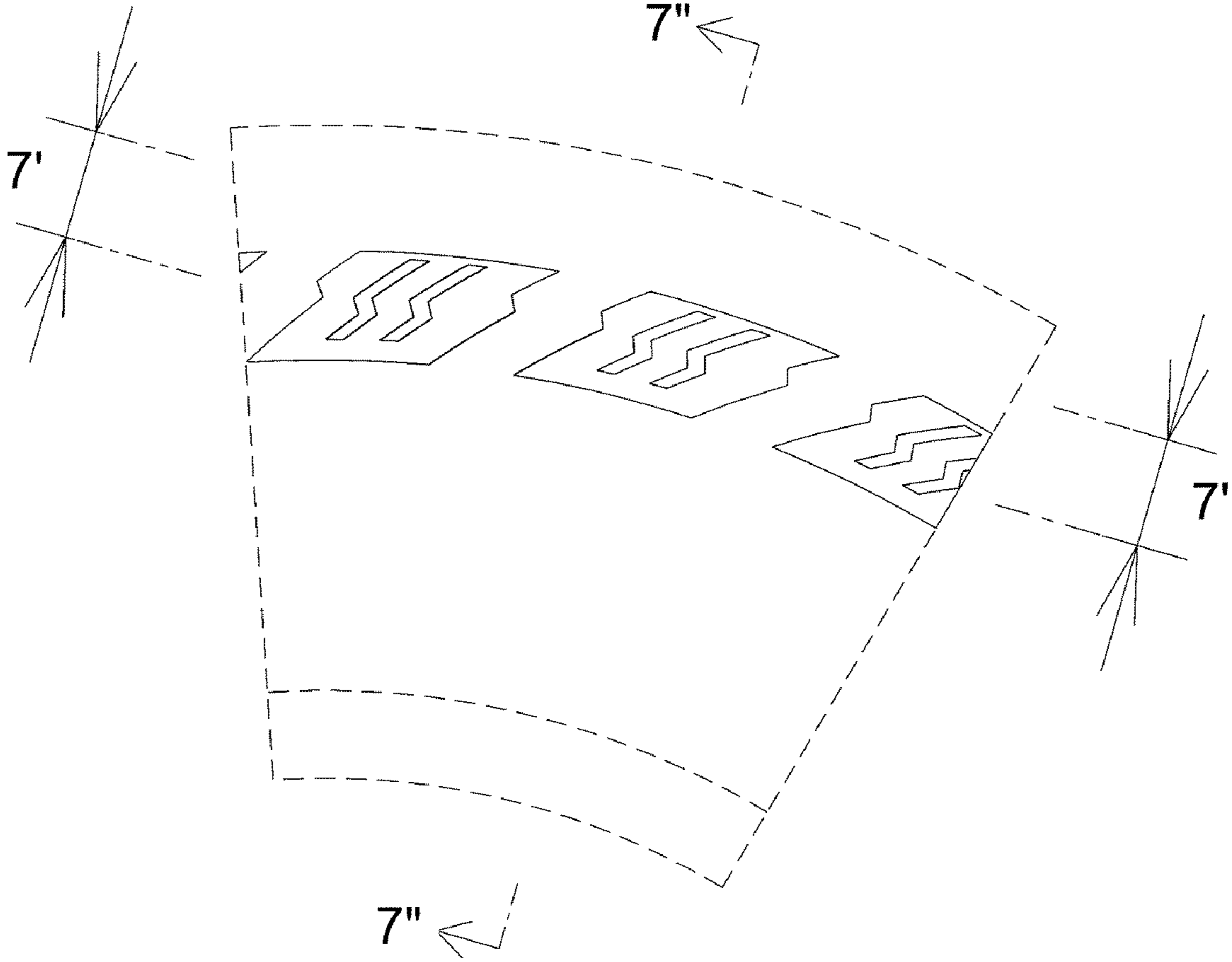
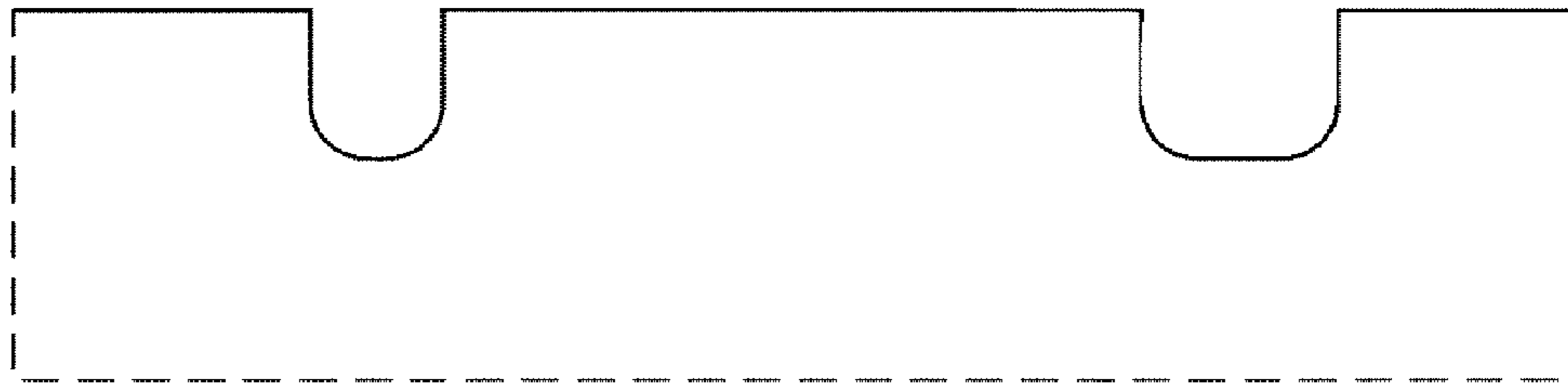


FIG. 6



**FIG. 7**



UNITED STATES PATENT AND TRADEMARK OFFICE  
**CERTIFICATE OF CORRECTION**

PATENT NO. : D627,714 S  
APPLICATION NO. : 29/359387  
DATED : November 23, 2010  
INVENTOR(S) : Tetsuji Miyazaki

Page 1 of 2

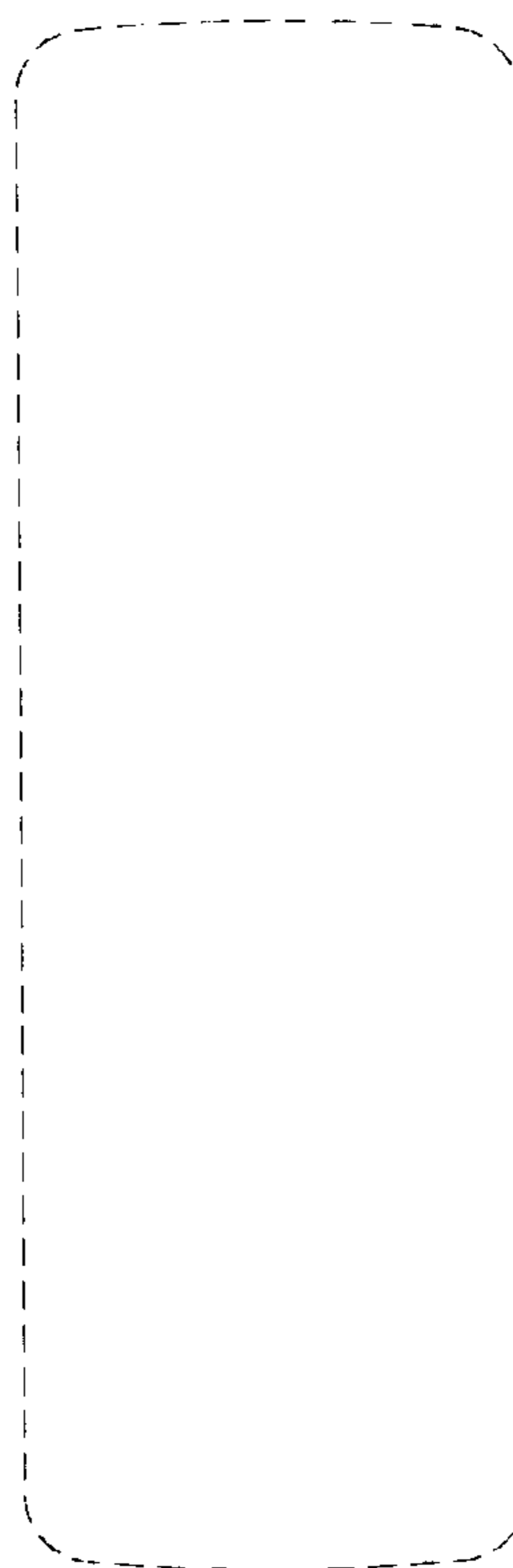
It is certified that error appears in the above-identified patent and that said Letters Patent is hereby corrected as shown below:

On Sheet 4 of 7 of the drawings, delete Figure 4, and insert the Figure 4 attached.

Signed and Sealed this  
Twenty-first Day of June, 2011

A handwritten signature in black ink that reads "David J. Kappos". The signature is written in a cursive style with a large initial "D" and "K".

David J. Kappos  
*Director of the United States Patent and Trademark Office*



**FIG. 4**