



US00D627713S

(12) **United States Design Patent**  
**Le et al.**

(10) **Patent No.:** **US D627,713 S**  
(45) **Date of Patent:** **\*\* Nov. 23, 2010**

(54) **TIRE**  
(75) Inventors: **Phuoc Thuan Le**, Attert (BE);  
**Jean-Francois Cazin-Bourguignon**,  
Audun-le-Tiche (FR)

(73) Assignee: **The Goodyear Tire & Rubber Company**, Akron, OH (US)

(\*\*) Term: **14 Years**

(21) Appl. No.: **29/363,925**

(22) Filed: **Jun. 16, 2010**

(51) **LOC (9) Cl.** ..... **12-15**

(52) **U.S. Cl.** ..... **D12/600; D12/901**

(58) **Field of Classification Search** ..... D12/557,  
D12/568, 579-603, 900-901; 152/209.1,  
152/209.8-209.19, 209.25-209.28  
See application file for complete search history.

(56) **References Cited**

**U.S. PATENT DOCUMENTS**

D350,929 S	*	9/1994	Attinello et al.	.....	D12/600
D384,613 S	*	10/1997	Le et al.	.....	D12/594
D392,605 S	*	3/1998	Le et al.	.....	D12/594
D421,584 S	*	3/2000	Lovell et al.	.....	D12/600
D448,709 S		10/2001	Le	.....	D12/147
D452,200 S	*	12/2001	Campana et al.	.....	D12/598
D457,855 S		5/2002	Bawin et al.	.....	D12/582
D458,215 S		6/2002	Le	.....	D12/600
D458,580 S		6/2002	Young et al.	.....	D12/512
D473,843 S		4/2003	Le et al.	.....	D12/600
D480,045 S		9/2003	Durand et al.	.....	D12/601
D497,875 S		11/2004	Le et al.	.....	D12/594
D498,208 S	*	11/2004	Cazin-Bourguignon et al.	.....	D12/600
D500,288 S		12/2004	Maziarka et al.	.....	D12/601
D504,391 S		4/2005	Maziarka	.....	D12/601
D504,865 S		5/2005	Maziarka et al.	.....	D12/521
D517,468 S		3/2006	Le et al.	.....	D12/566
D528,500 S		9/2006	Le et al.	.....	D12/600

D533,498 S		12/2006	Scheuren et al.	.....	D12/588
D534,858 S		1/2007	Le et al.	.....	D12/553
D554,055 S		10/2007	Beauguitte et al.	.....	D12/600
D569,334 S		5/2008	Maziarka et al.	.....	D12/600
D601,085 S		9/2009	Janesh et al.	.....	D12/600
D602,853 S		10/2009	Nopper et al.	.....	D12/600
D608,729 S	*	1/2010	Brown	.....	D12/600
D609,175 S	*	2/2010	Feider et al.	.....	D12/600
D620,430 S	*	7/2010	Gillard et al.	.....	D12/600

\* cited by examiner

*Primary Examiner*—Stacia Cadmus

(74) *Attorney, Agent, or Firm*—Richard B. O’Planick

(57) **CLAIM**

The ornamental design for a tire, as shown and described.

**DESCRIPTION**

FIG. 1 is a perspective view of a tire showing our new design, it being understood that the pattern repeats uniformly throughout the circumference of the tread;

FIG. 2 is a front elevational view thereof;

FIG. 3 is a right side elevational view thereof; the opposite side elevational view being identical thereto;

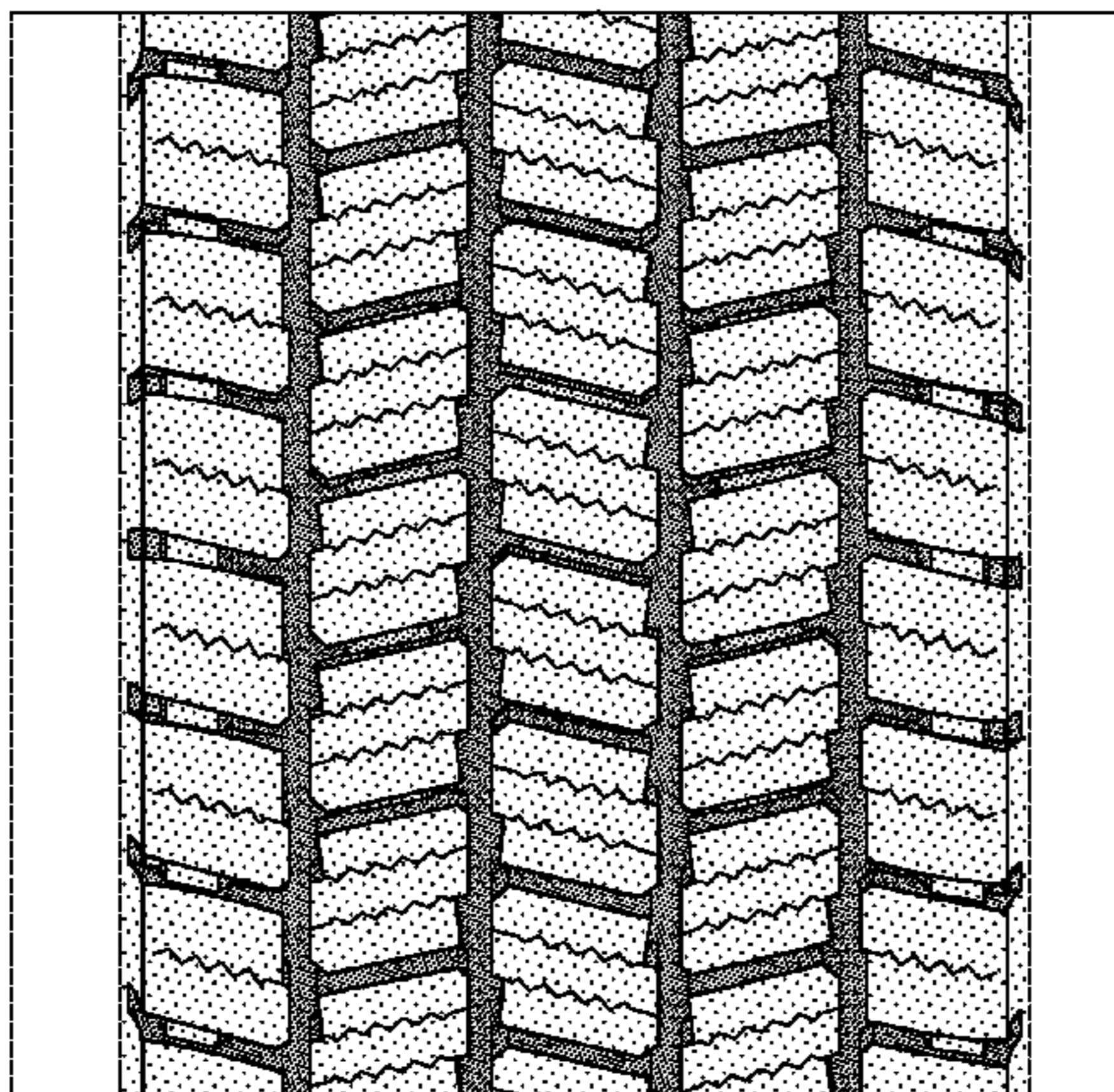
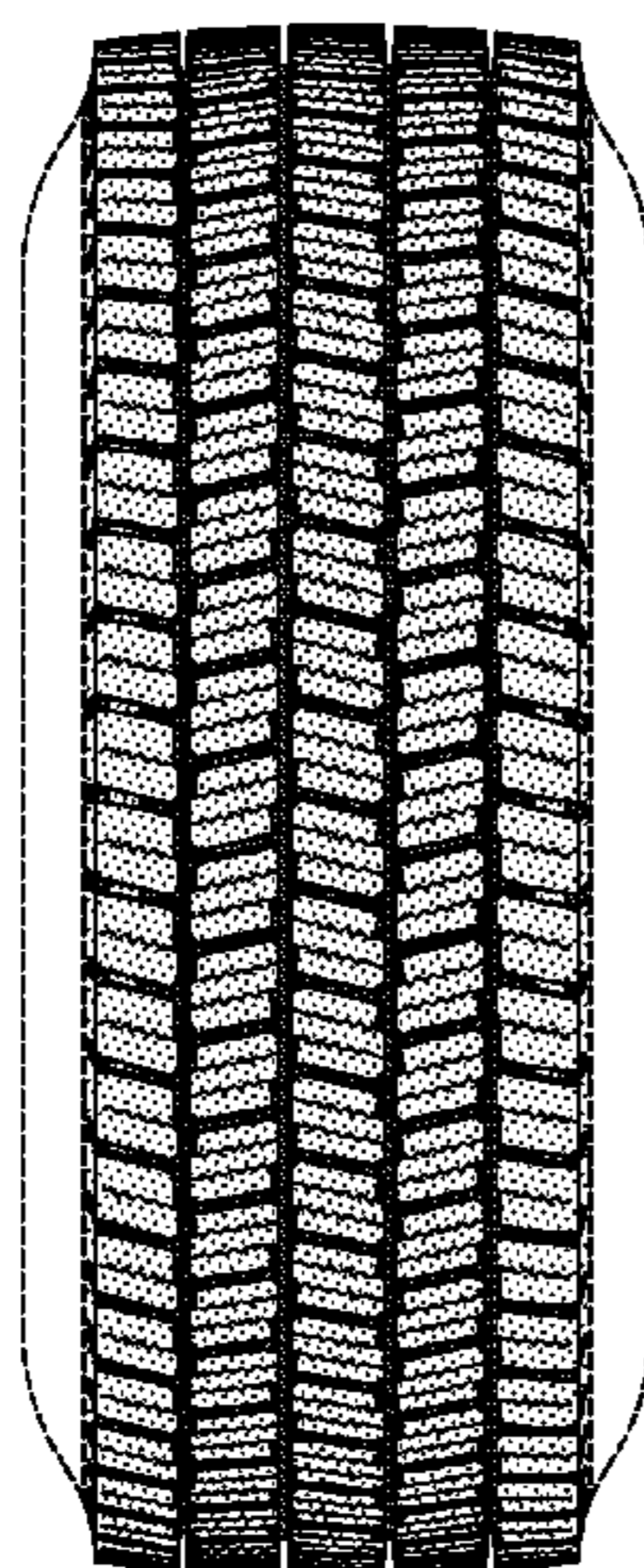
FIG. 4 is an enlarged fragmentary front elevational view thereof;

FIG. 5 is a perspective view of a second embodiment of a tire showing our new design, it being understood that the pattern repeats uniformly throughout the circumference of the tread and that the opposite side view is identical thereto; and,

FIG. 6 is a front elevational view of a second embodiment, it being understood that an enlarged fragmentary view thereof would be substantially identical to that shown in FIG. 4, with the exception of the inclusion of the sidewall in solid lines.

In the drawings, the broken lines showing of the sidewall, inner bead and the peripheral boundary between the tire tread and the sidewall in FIGS. 1 through 4 depict environmental subject matter and form no part of the claimed design.

**1 Claim, 6 Drawing Sheets**



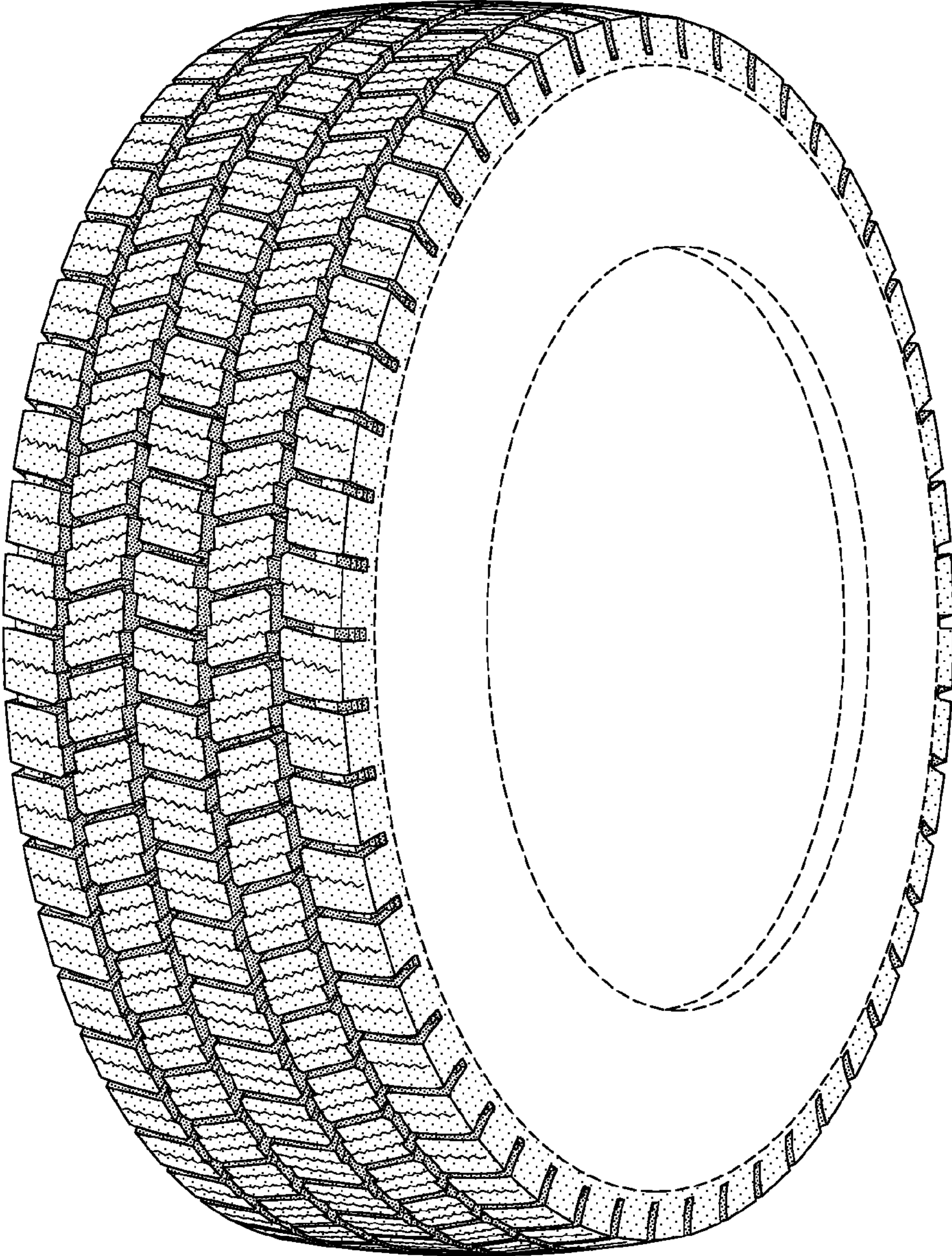


FIG-1

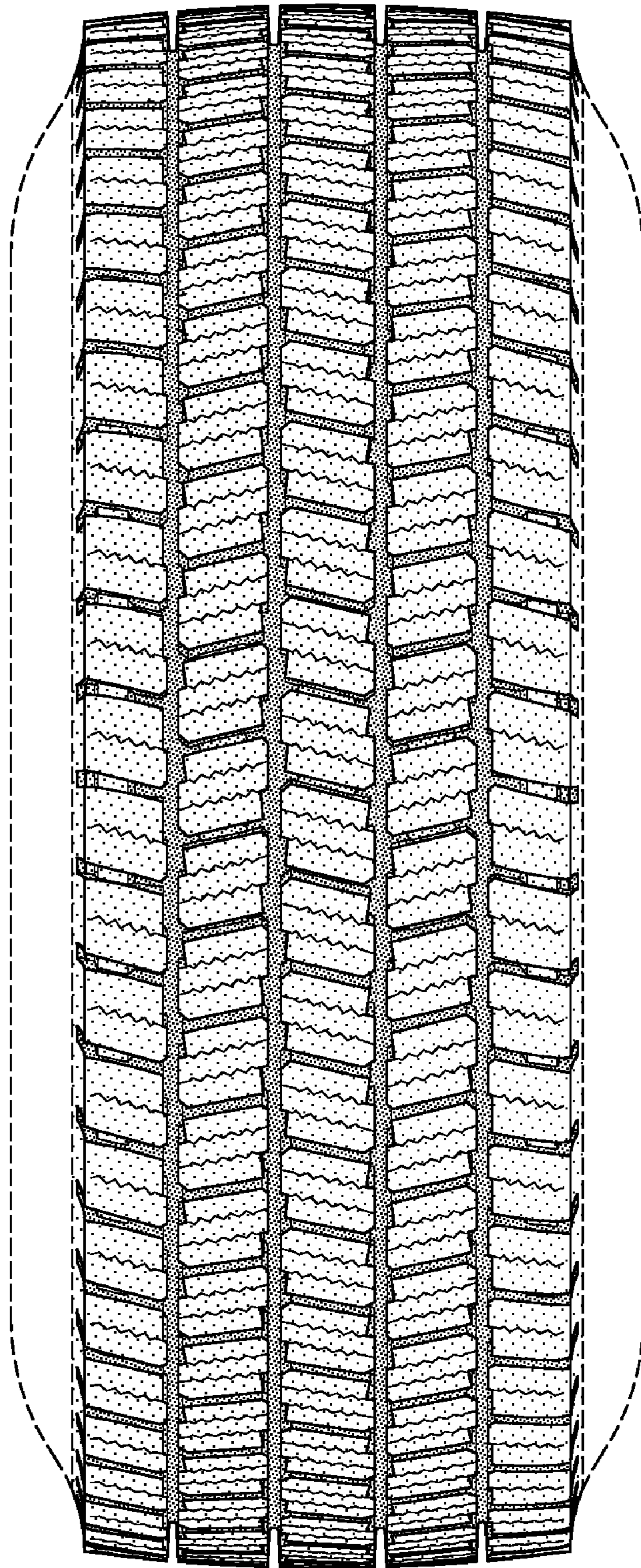


FIG-2

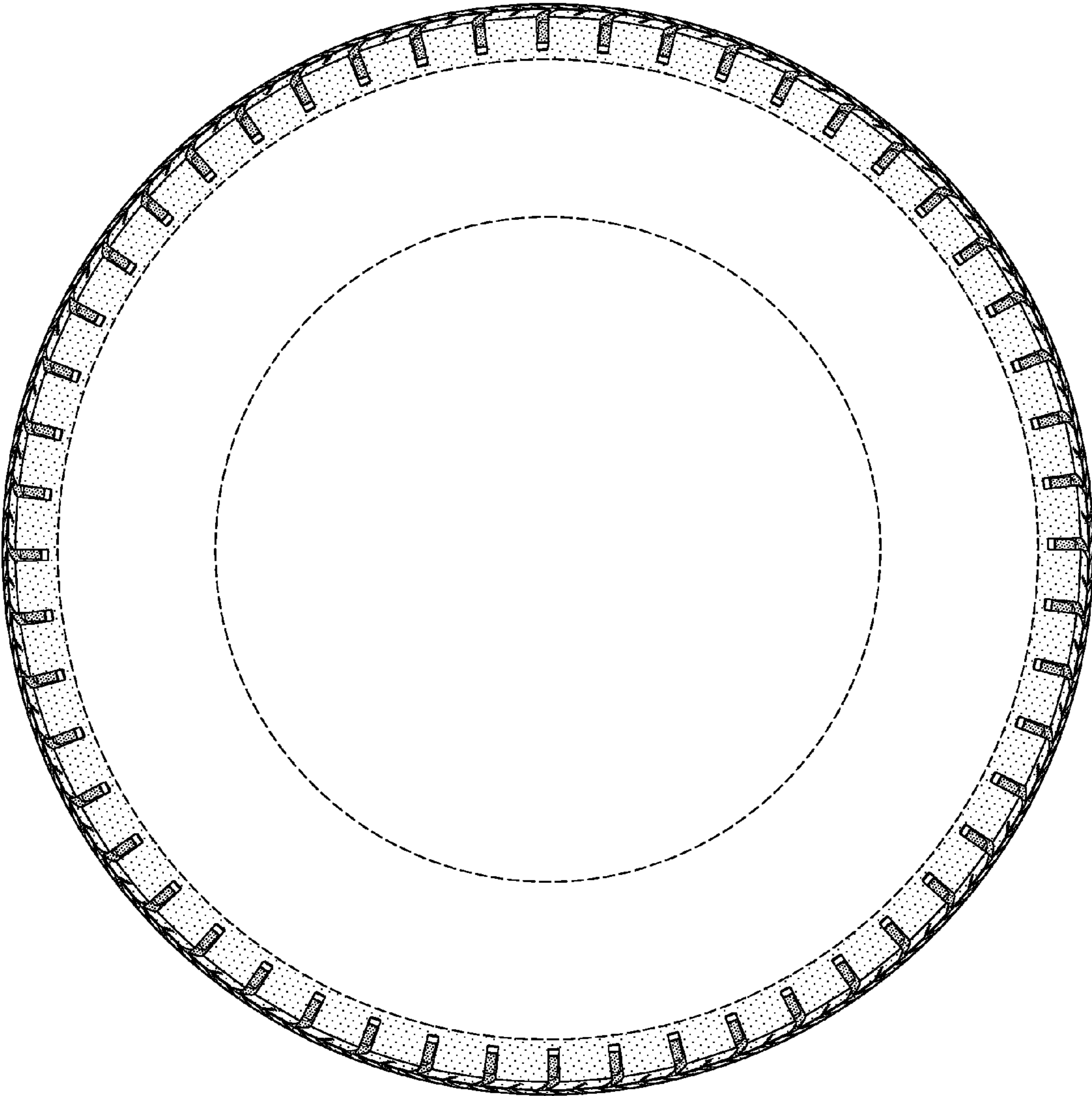


FIG-3

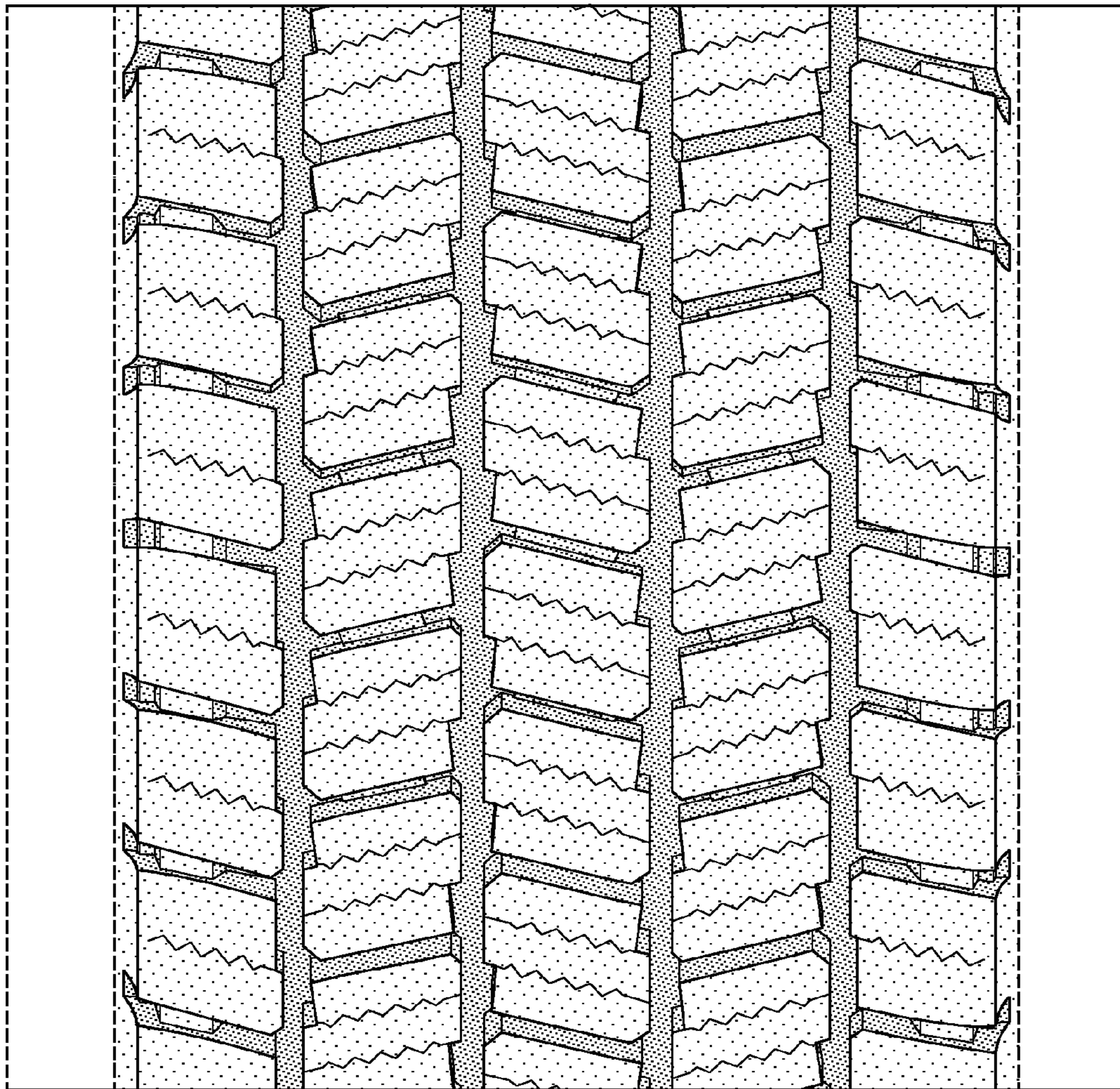


FIG-4

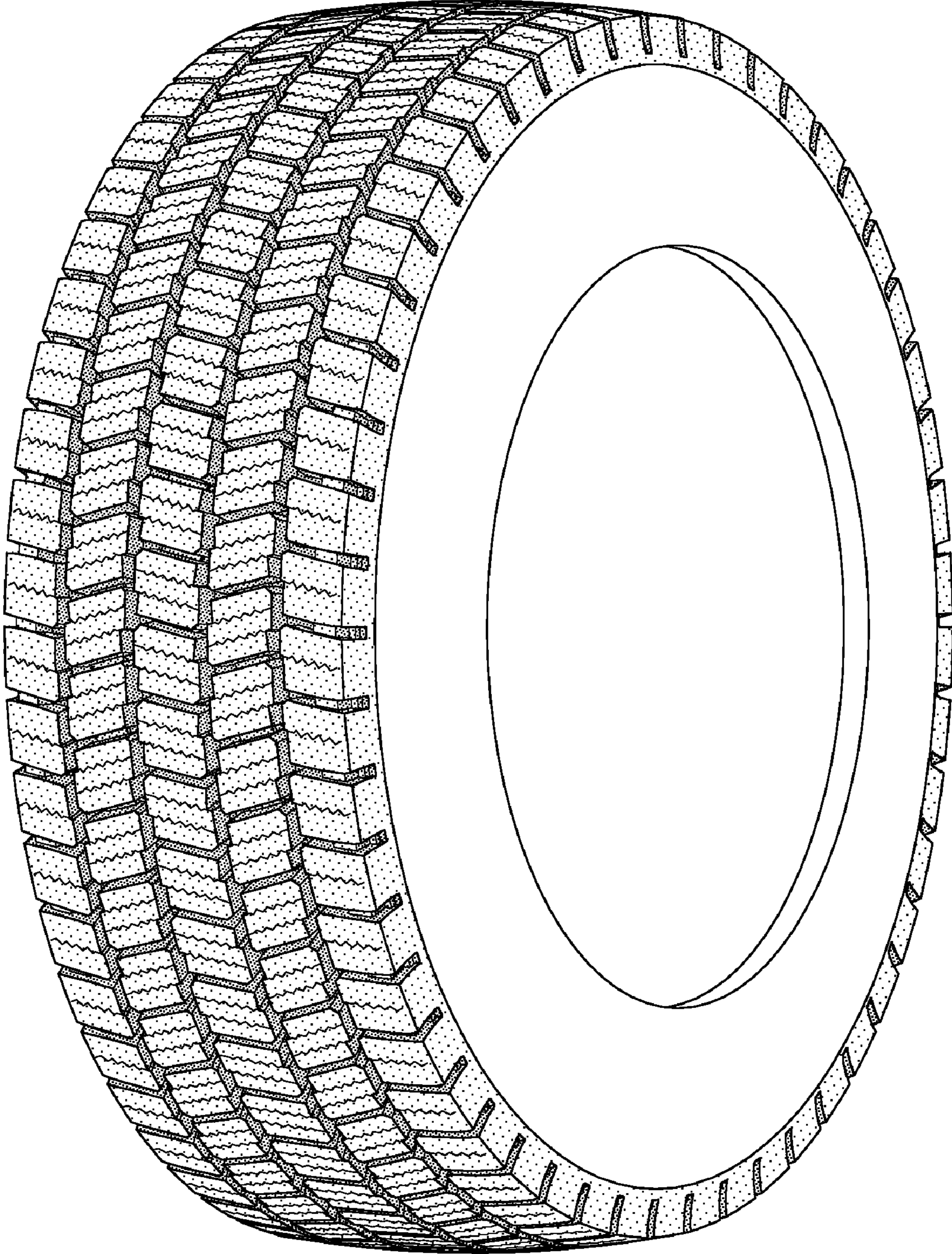


FIG-5

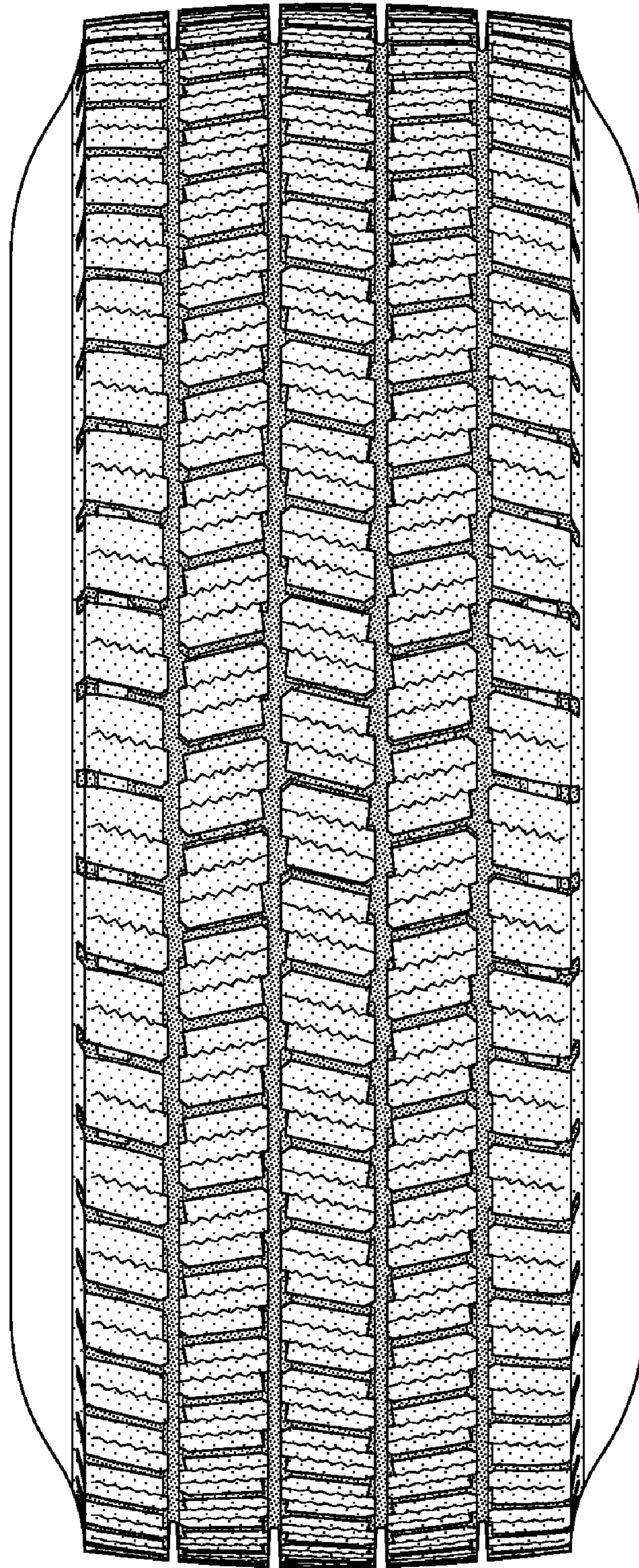


FIG-6