



US00D627709S

(12) **United States Design Patent**
Harvey et al.

(10) **Patent No.:** **US D627,709 S**

(45) **Date of Patent:** **** Nov. 23, 2010**

(54) **TIRE**

(75) Inventors: **Delwyn Lovell Harvey**, North Canton, OH (US); **Dale Edward Umstot**, Atwater, OH (US); **John Kotanides, Jr.**, Canton, OH (US); **Ashley Amanda Strader**, Akron, OH (US)

(73) Assignee: **The Goodyear Tire & Rubber Company**, Akron, OH (US)

(**) Term: **14 Years**

(21) Appl. No.: **29/366,276**

(22) Filed: **Jul. 22, 2010**

(51) **LOC (9) Cl.** **12-15**

(52) **U.S. Cl.** **D12/579**

(58) **Field of Classification Search** D12/512,
D12/544, 556, 571, 574, 577-580, 568, 586-603,
D12/900-901; 152/209.1-2, 209.8-209.18,
152/209.25-209.28

See application file for complete search history.

(56) **References Cited**

U.S. PATENT DOCUMENTS

D261,383 S *	10/1981	Amarger	D12/580
D329,626 S	9/1992	Goergen et al.	D12/147
D337,978 S *	8/1993	Himuro et al.	D12/579
D344,049 S	2/1994	Brown et al.	D12/147
D365,791 S	1/1996	Brown et al.	D12/146
D412,472 S	8/1999	Brown et al.	D12/146
D414,727 S	10/1999	Brown et al.	D12/146
D416,836 S *	11/1999	Himuro	D12/556
D430,832 S *	9/2000	Edwards	D12/579
D430,834 S *	9/2000	Allison	D12/579
D444,106 S *	6/2001	Allison et al.	D12/579
D444,426 S	7/2001	Marazzi et al.	D12/146
D447,447 S	9/2001	Guspodin et al.	D12/147
D450,273 S *	11/2001	Guspodin et al.	D12/579
D453,310 S *	2/2002	Allison et al.	D12/579
D453,311 S *	2/2002	Guspodin et al.	D12/579
D455,681 S *	4/2002	Guspodin et al.	D12/579
D457,486 S *	5/2002	Guspodin et al.	D12/579

D483,718 S	12/2003	Hutz et al.	D12/579
D496,328 S	9/2004	Shondel et al.	D12/579
D512,370 S	12/2005	Pang	D12/579
D544,830 S *	6/2007	Umstot et al.	D12/579
D556,124 S *	11/2007	Thum et al.	D12/579

(Continued)

Primary Examiner—Stacia Cadmus

(74) *Attorney, Agent, or Firm*—Richard B. O’Planick

(57) **CLAIM**

The ornamental design for a tire, as shown and described.

DESCRIPTION

FIG. 1 is a perspective view of a tire showing our new design, it being understood that the pattern repeats uniformly throughout the circumference of the tread;

FIG. 2 is a front elevational view thereof;

FIG. 3 is a right side elevational view thereof; the opposite side elevational view being identical thereto;

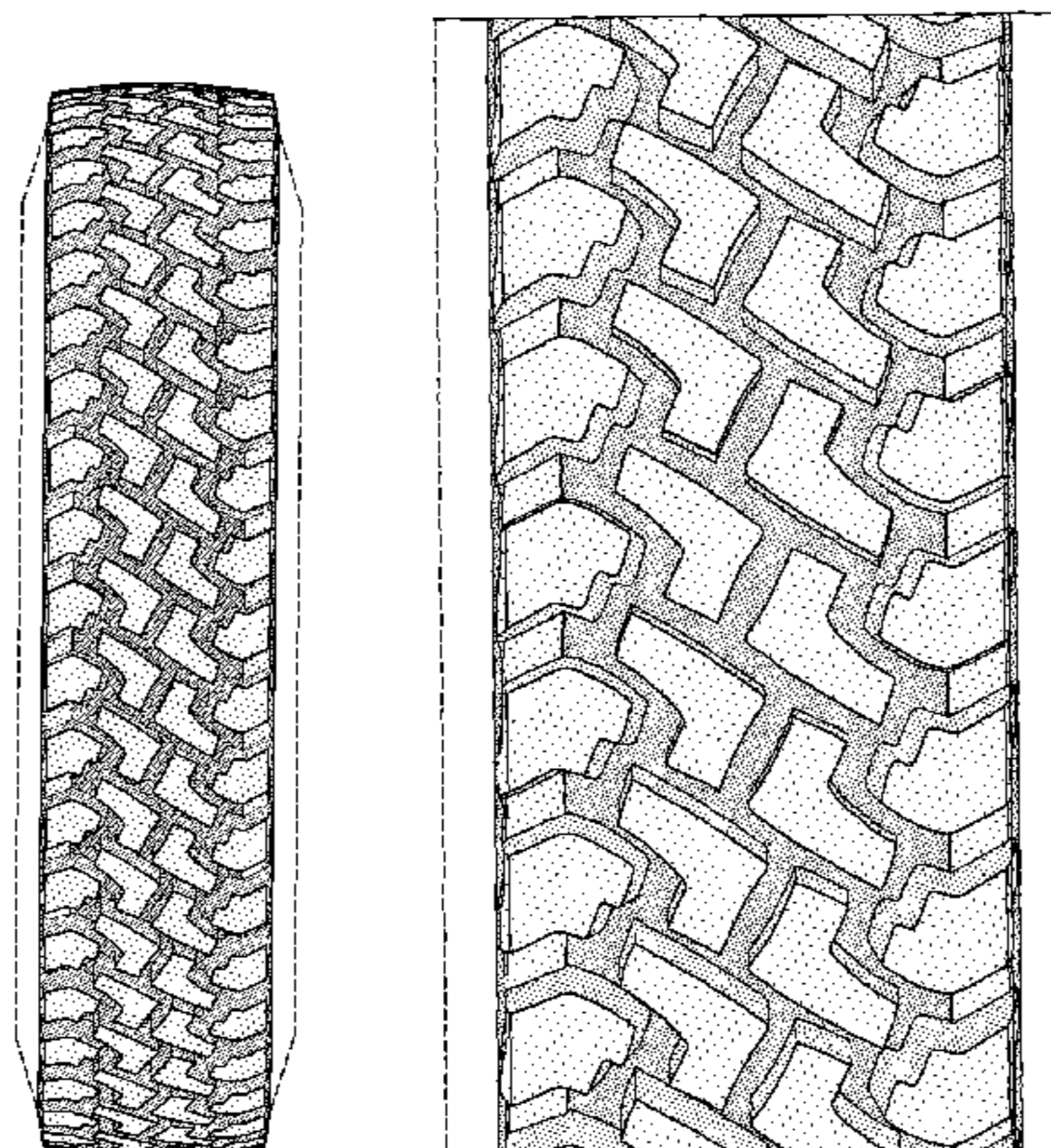
FIG. 4 is an enlarged fragmentary front elevational view thereof;

FIG. 5 is a perspective view of a second embodiment of a tire showing our new design, it being understood that the pattern repeats uniformly throughout the circumference of the tread and that the opposite side view is identical thereto; and,

FIG. 6 is a front elevational view of a second embodiment, it being understood that an enlarged fragmentary view thereof would be substantially identical to that shown in FIG. 4, with the exception of the inclusion of the sidewall in solid lines.

In the drawings, the broken lines showing of the sidewall, inner bead and the peripheral boundary between the tire tread and the sidewall in FIGS. 1 through 4 depict environmental subject matter and form no part of the claimed design.

1 Claim, 6 Drawing Sheets



US D627,709 S

Page 2

U.S. PATENT DOCUMENTS

D567,749 S	4/2008	Brown et al.	D12/579	D608,272 S *	1/2010	Osaka	D12/579
D567,750 S *	4/2008	Dixon	D12/579	D621,342 S *	8/2010	Osaka	D12/579
D571,713 S *	6/2008	Rodicq et al.	D12/579	* cited by examiner			

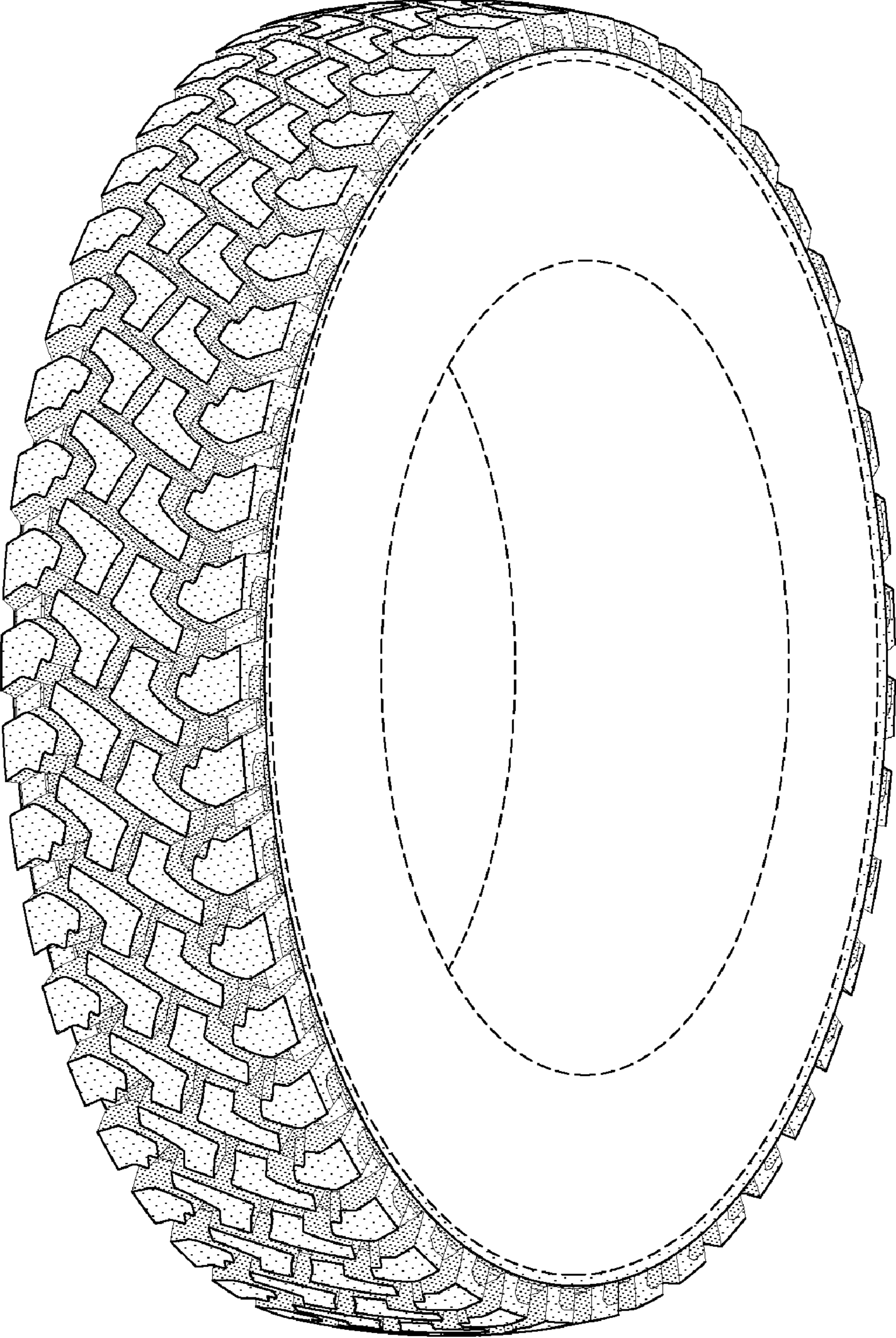


FIG-1

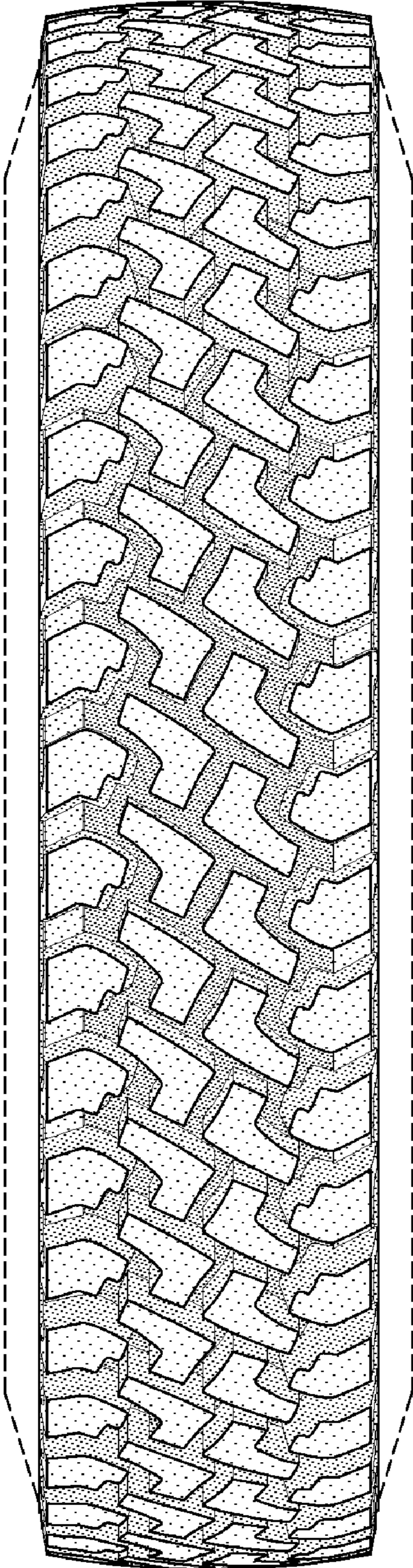


FIG-2

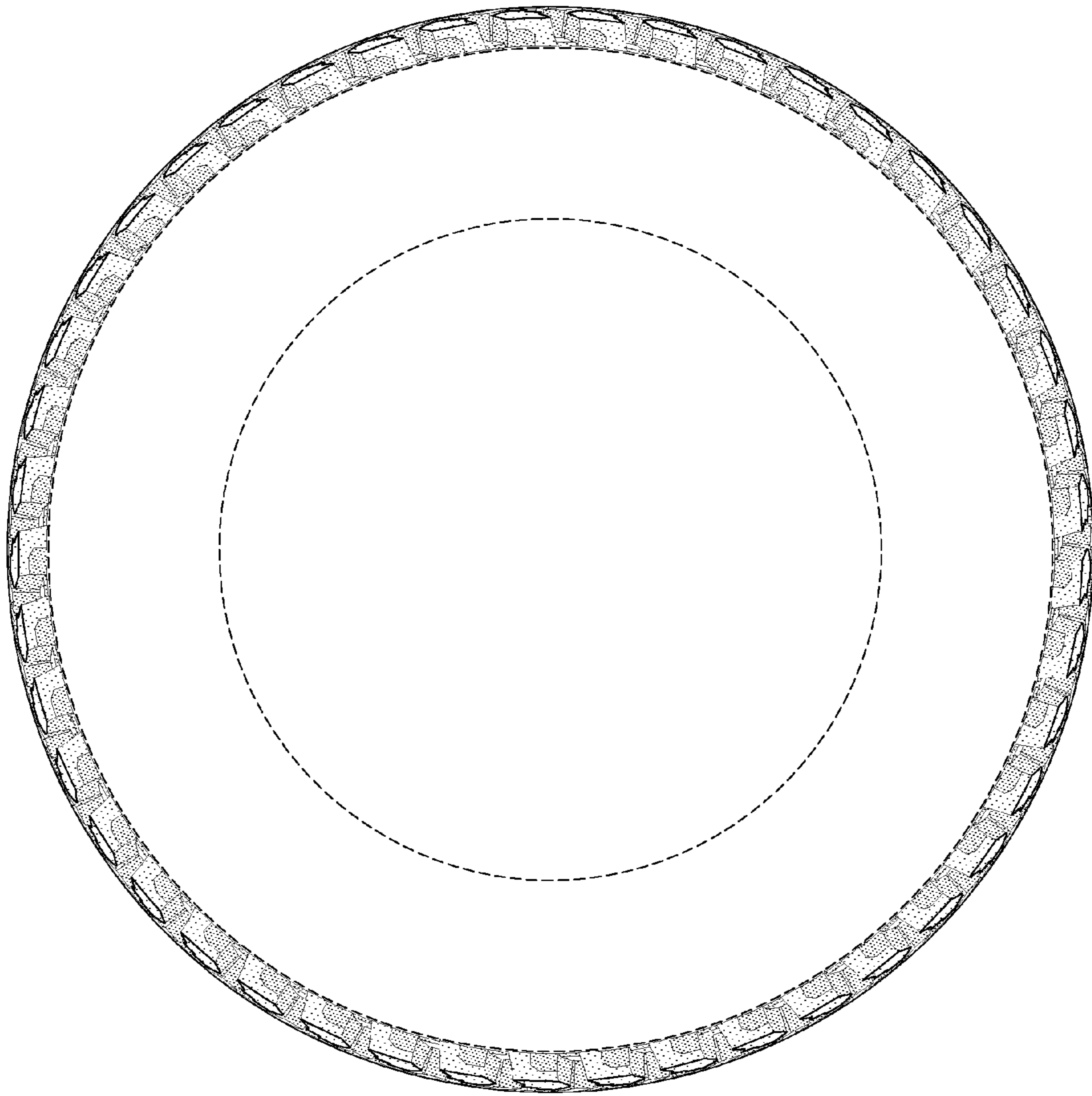


FIG-3

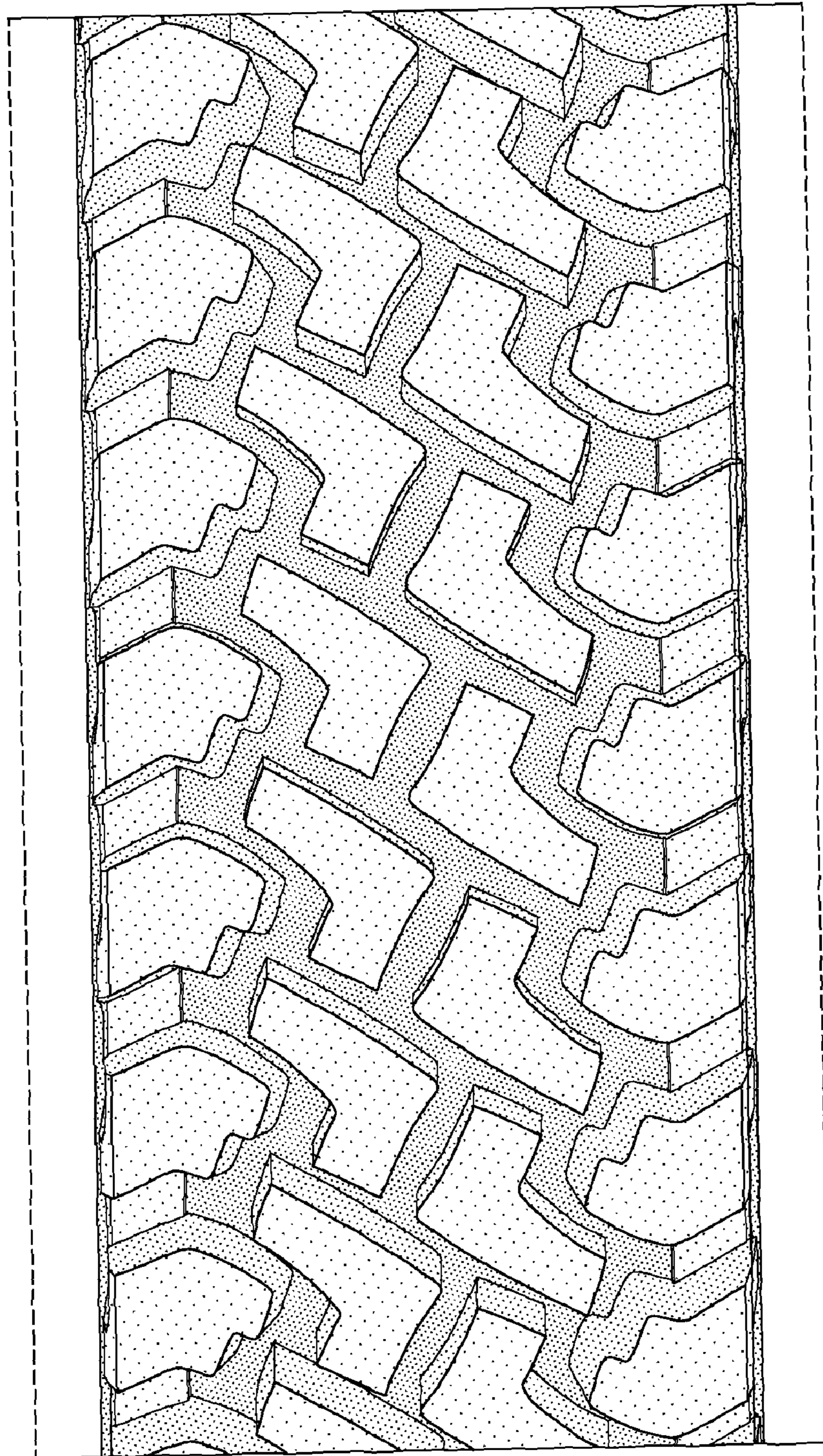


FIG-4

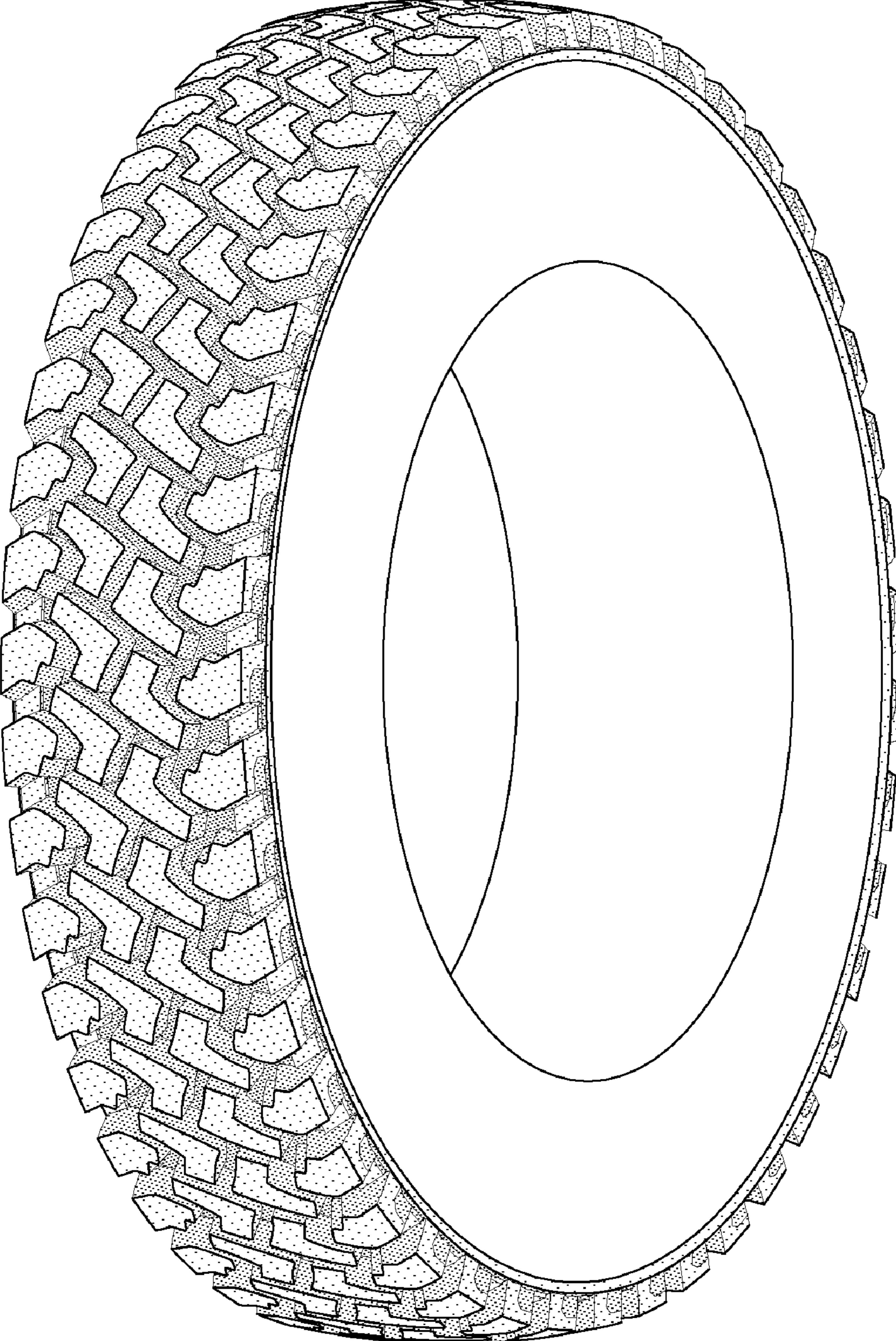


FIG-5

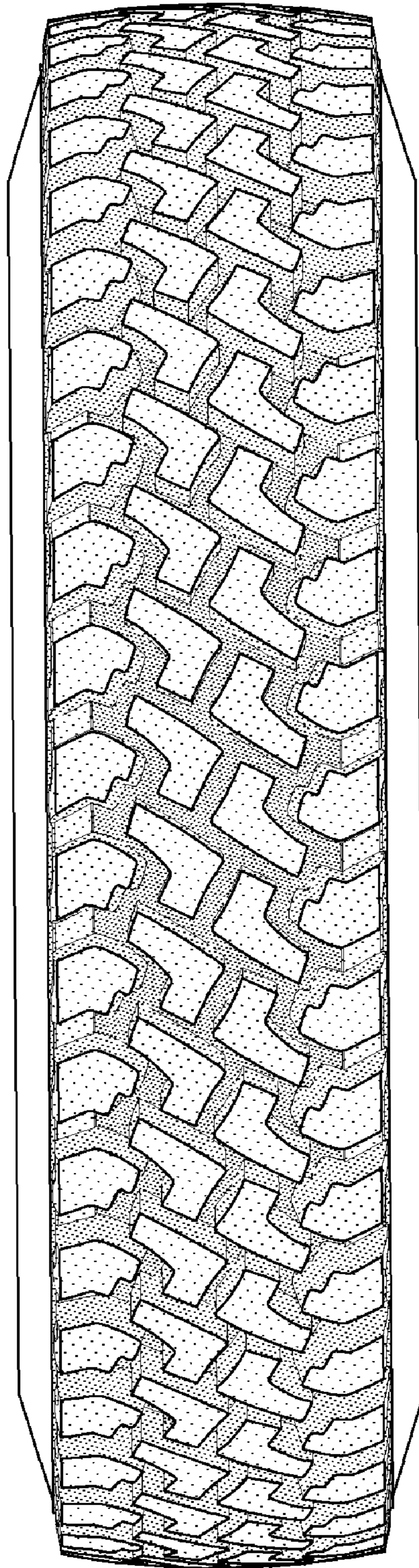


FIG-6