



US00D627701S

(12) **United States Design Patent**  
**Hilpert**

(10) **Patent No.:** **US D627,701 S**

(45) **Date of Patent:** **\*\* Nov. 23, 2010**

(54) **WHEEL OR WHEEL COVER**

(75) Inventor: **Kai Hilpert**, Plochingen (DE)

(73) Assignee: **Daimler AG**, Stuttgart (DE)

(\*\*) Term: **14 Years**

(21) Appl. No.: **29/347,021**

(22) Filed: **Aug. 25, 2009**

(30) **Foreign Application Priority Data**

Feb. 26, 2009 (EM) ..... 001095483-0002

(51) **LOC (9) Cl.** ..... **12-16**

(52) **U.S. Cl.** ..... **D12/211**

(58) **Field of Classification Search** ..... D12/204-213;  
301/37.101, 64.101, 65, 64.201

See application file for complete search history.

(56) **References Cited**

**U.S. PATENT DOCUMENTS**

- D361,976 S \* 9/1995 Echazabal et al. .... D12/211
- D454,325 S \* 3/2002 Hieke ..... D12/209
- D514,495 S \* 2/2006 Hieke ..... D12/211

- D528,059 S \* 9/2006 Hieke ..... D12/209
- D532,733 S \* 11/2006 Hieke ..... D12/209
- D532,734 S \* 11/2006 Hieke ..... D12/209
- D535,240 S \* 1/2007 Chang ..... D12/211
- D537,027 S \* 2/2007 Hieke ..... D12/211
- D585,351 S \* 1/2009 Hieke ..... D12/209
- D609,157 S \* 2/2010 Rider et al. .... D12/211

\* cited by examiner

*Primary Examiner*—Stacia Cadmus

(74) *Attorney, Agent, or Firm*—Crowell & Moring LLP

(57) **CLAIM**

The ornamental design for a wheel or wheel cover, as shown and described.

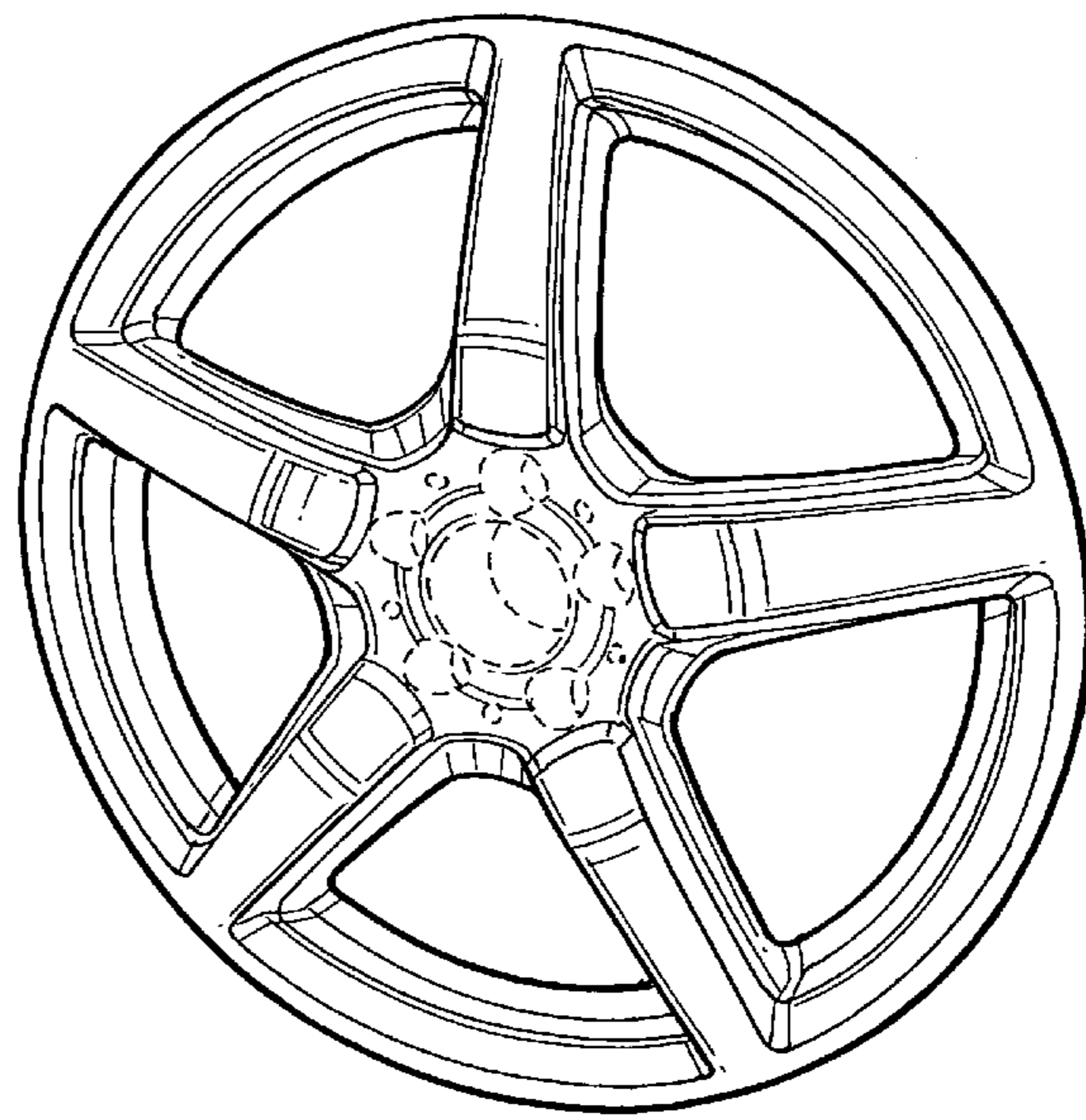
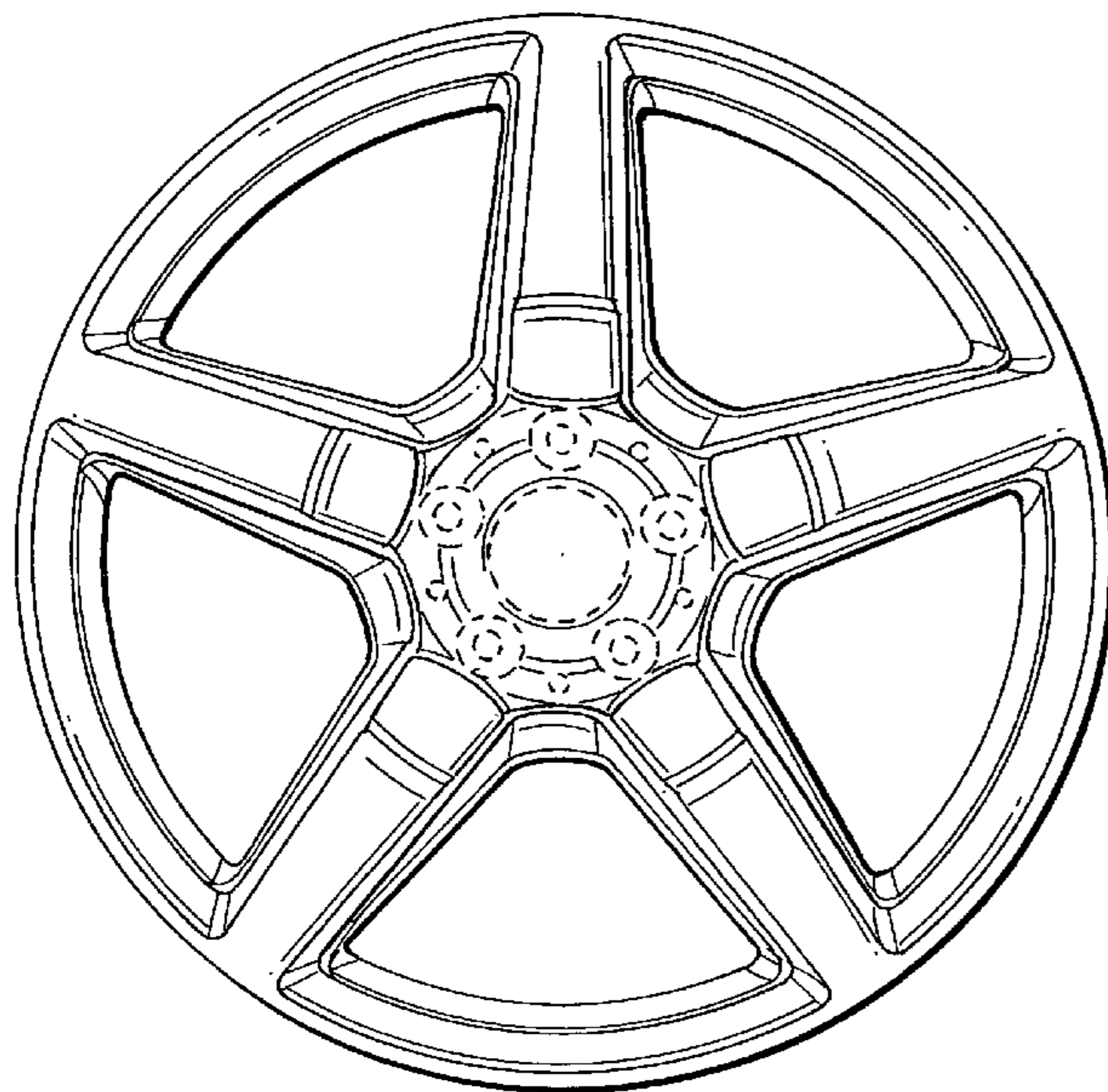
**DESCRIPTION**

FIG. 1 is a front view of a wheel or wheel cover according to my design; and,

FIG. 2 is a perspective view thereof.

The broken line showing of the bolt holes and center hole in the central hub area is included for the purpose of illustrating environment and forms no part of the claimed design.

**1 Claim, 1 Drawing Sheet**



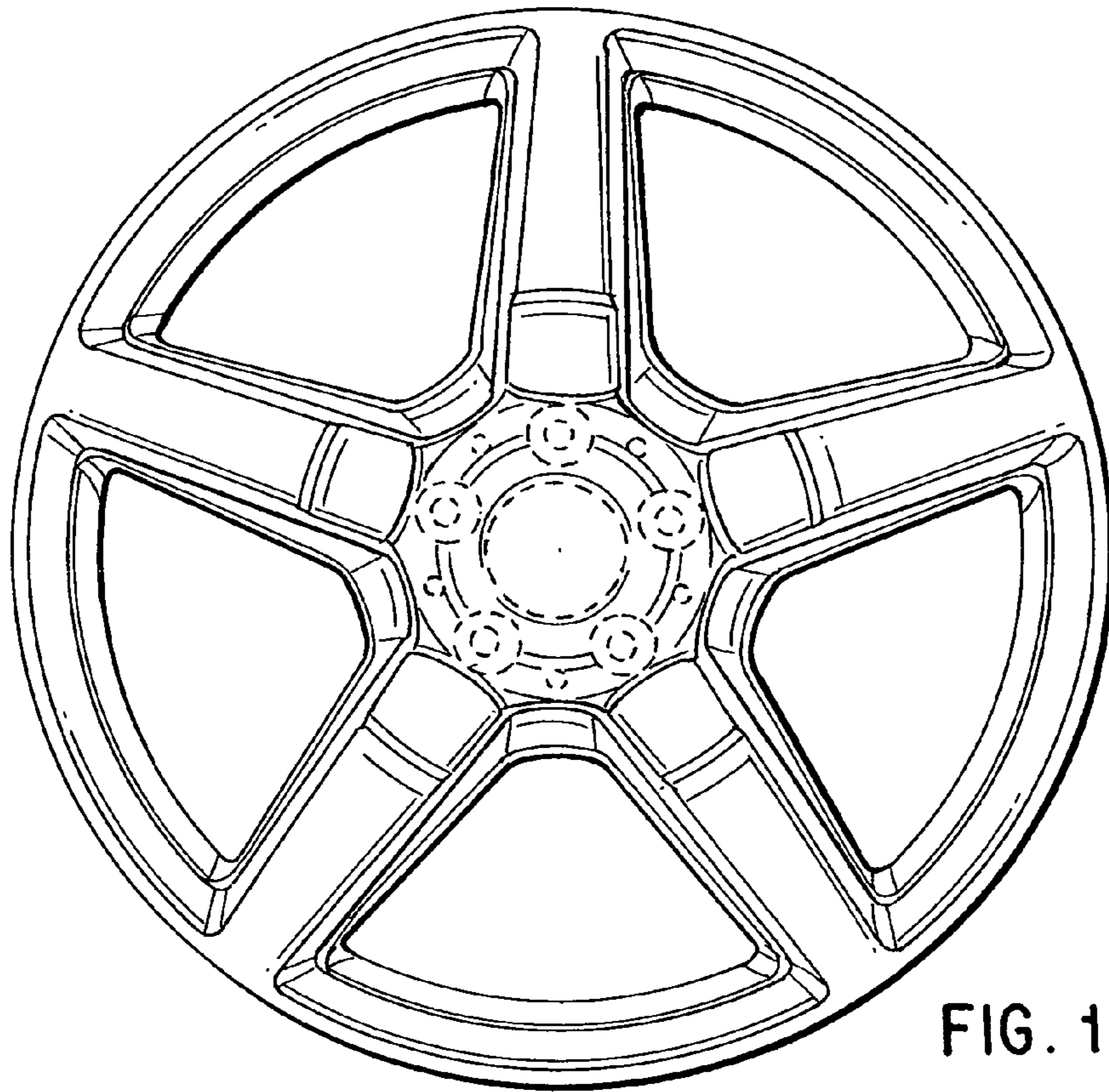


FIG. 1

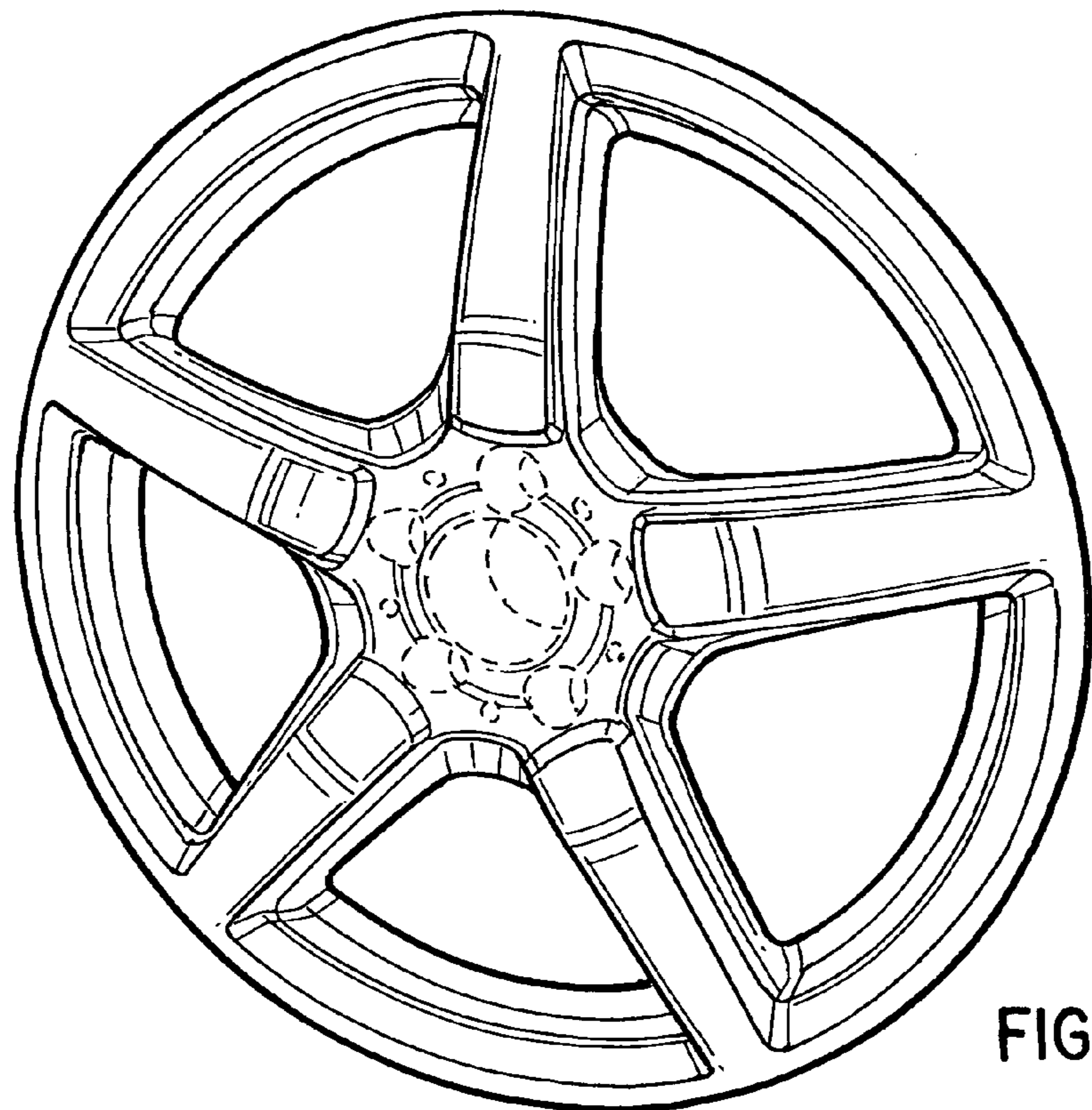


FIG. 2