



US00D627695S

(12) **United States Design Patent**
Roberts

(10) **Patent No.:** **US D627,695 S**

(45) **Date of Patent:** **** Nov. 23, 2010**

(54) **BRAKE HEAT SINK**

(76) Inventor: **Donald J. Roberts**, 4776 Rt. 39, Bliss,
NY (US) 14024

(**) Term: **14 Years**

(21) Appl. No.: **29/358,652**

(22) Filed: **Mar. 30, 2010**

(51) **LOC (9) Cl.** **12-16**

(52) **U.S. Cl.** **D12/180**

(58) **Field of Classification Search** D12/180;
188/71.1, 73.3, 73.31-73.39, 72.2, 72.4,
188/73.41-73.46, 218 XL, 370, 1.11 W, 264 A,
188/264 AA, 18 A; 192/169.2, 169.3, 107 R
See application file for complete search history.

(56) **References Cited**

U.S. PATENT DOCUMENTS

5,249,649	A *	10/1993	Emmons	188/73.47
D418,098	S *	12/1999	Wallace	D12/180
6,408,991	B1 *	6/2002	Herffurth et al.	188/71.1
D546,252	S *	7/2007	Belisle	D12/180

* cited by examiner

Primary Examiner—Melody N Brown
(74) *Attorney, Agent, or Firm*—Sinorica, LLC

(57) **CLAIM**

The ornamental design of a brake heat sink, as shown and described.

DESCRIPTION

FIG. 1 is a perspective view of a brake heat sink showing my new design with environmental structure;

FIG. 2 is another perspective view of a brake heat sink showing my new design;

FIG. 3 is a top plan view of a brake heat sink;

FIG. 4 is a bottom plan view of a brake heat sink;

FIG. 5 is a right-side view elevational of a brake heat sink,

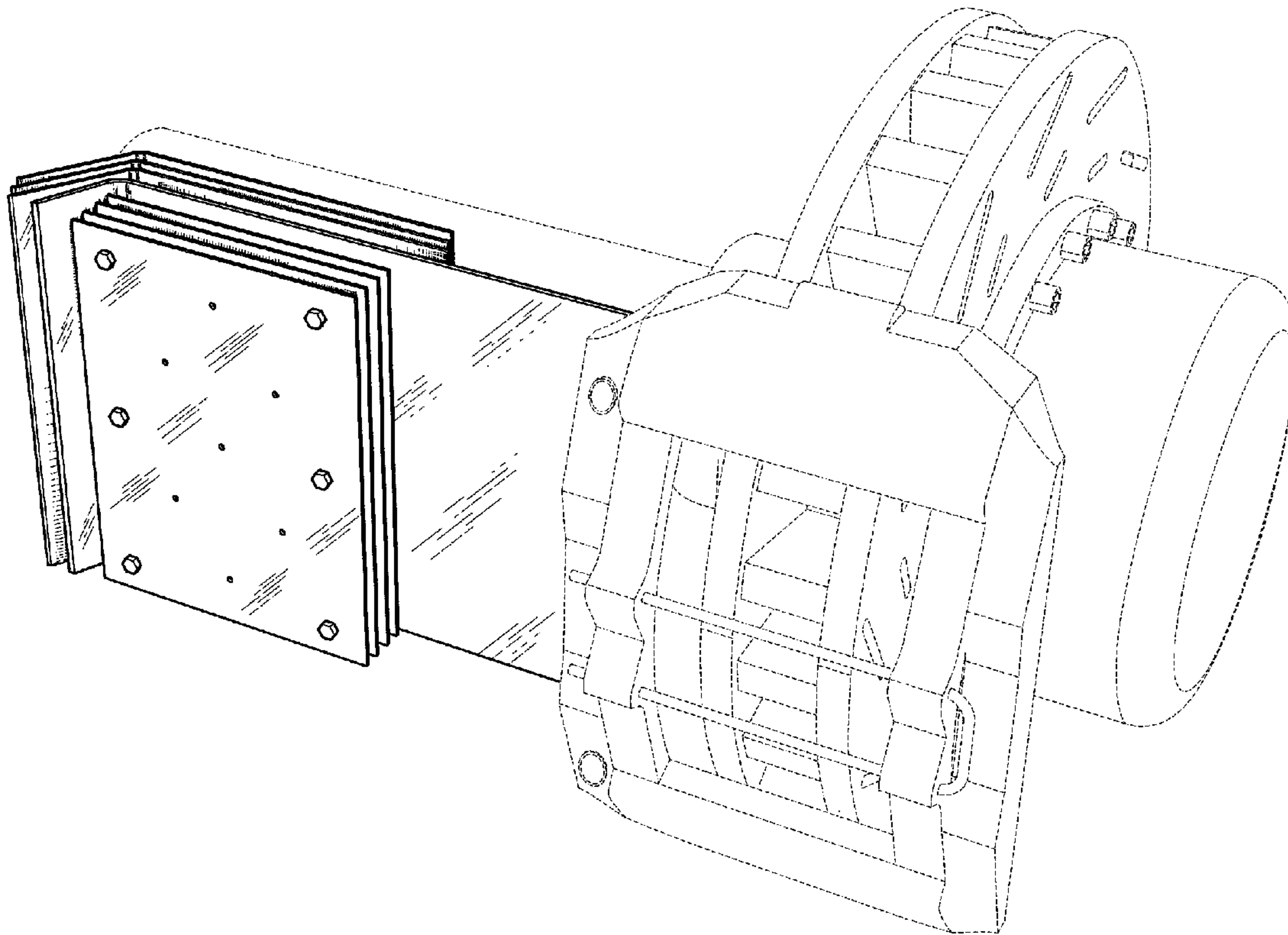
FIG. 6 is a left-side elevational view of a brake heat sink;

FIG. 7 is a front elevational view of a brake heat sink; and,

FIG. 8 is a rear elevational view of a brake heat sink.

The broken line structure shown in FIG. 1 is for illustrative purposes only and form no part of the claimed design.

1 Claim, 6 Drawing Sheets



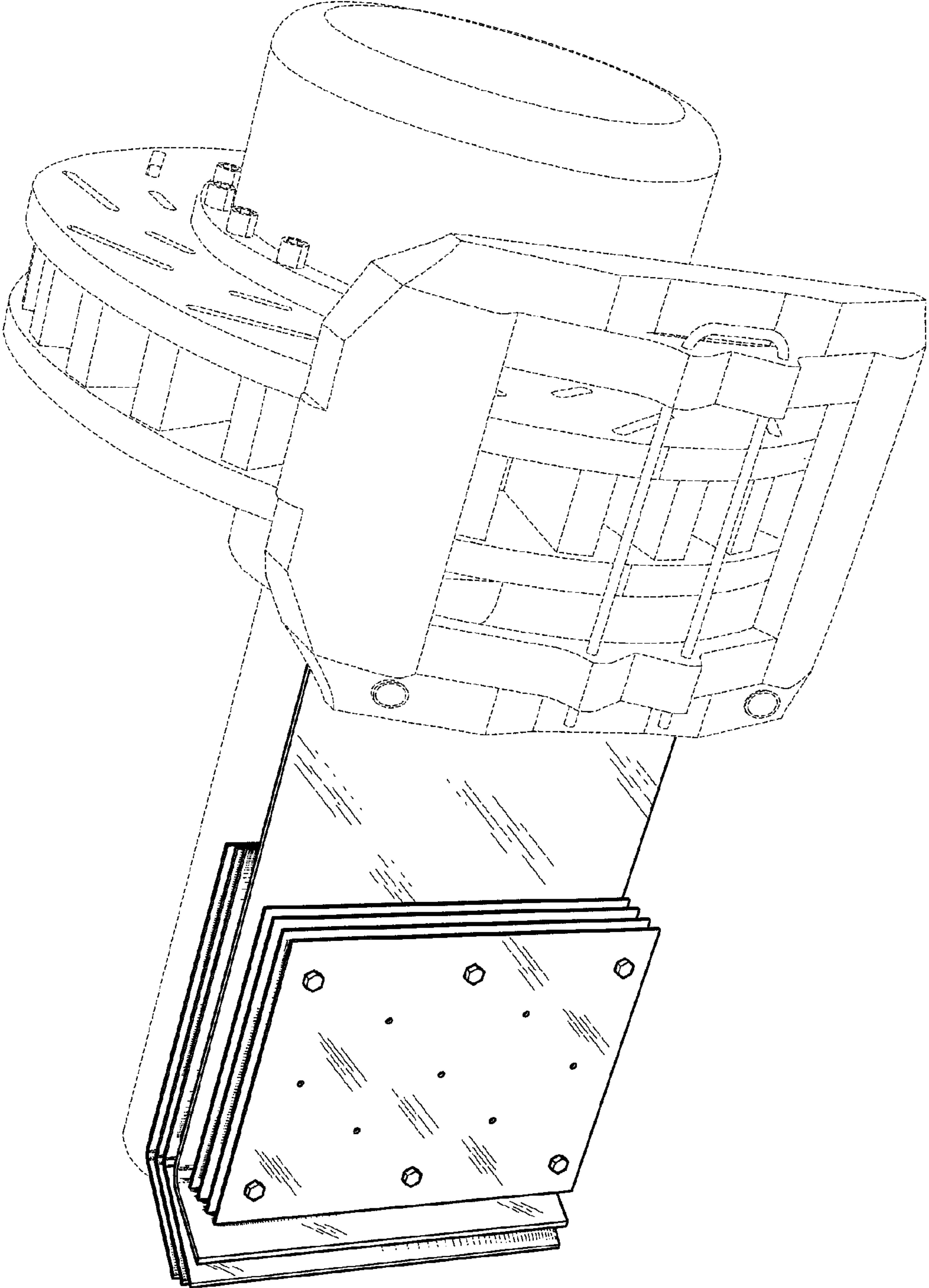


FIG. 1

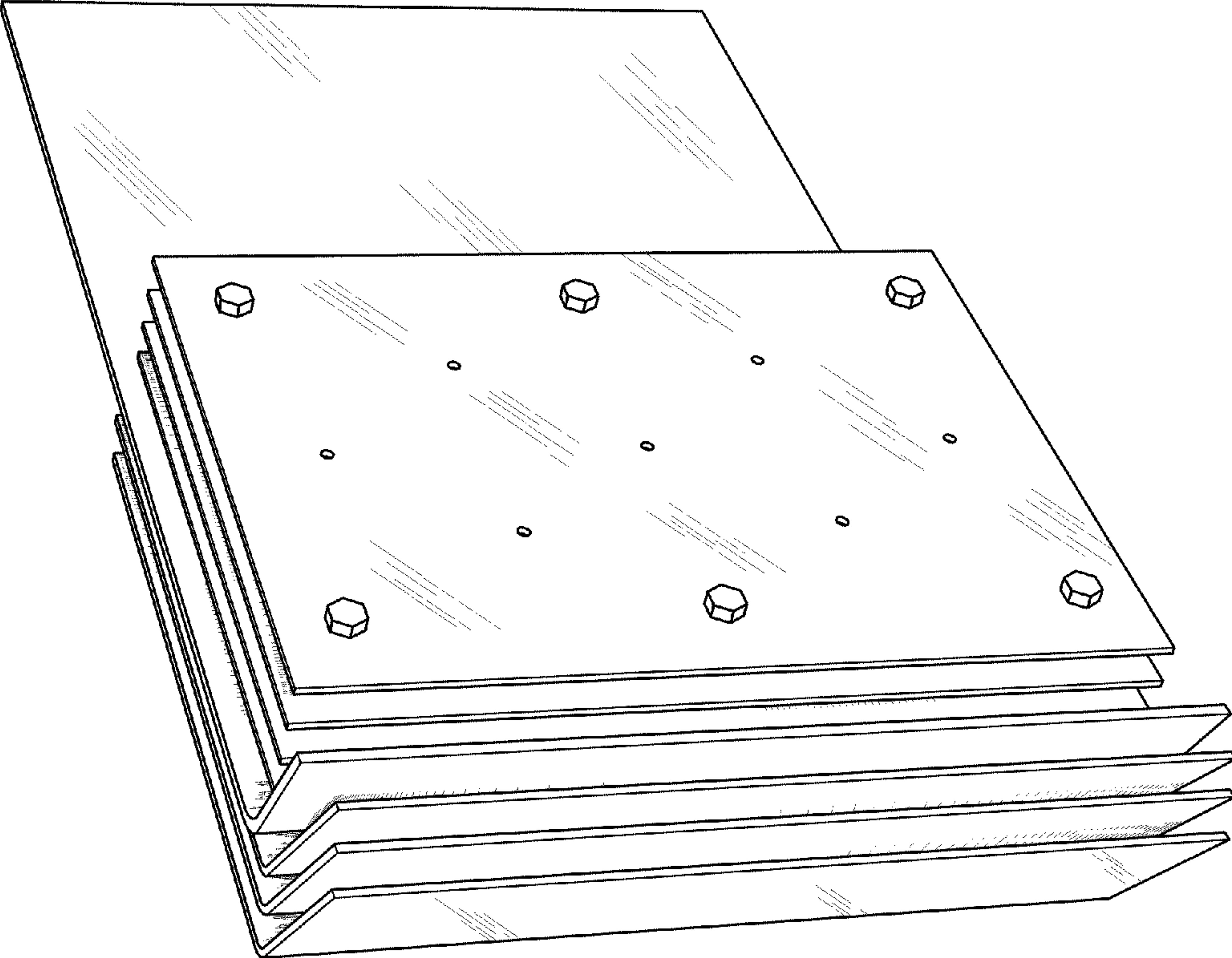


FIG. 2

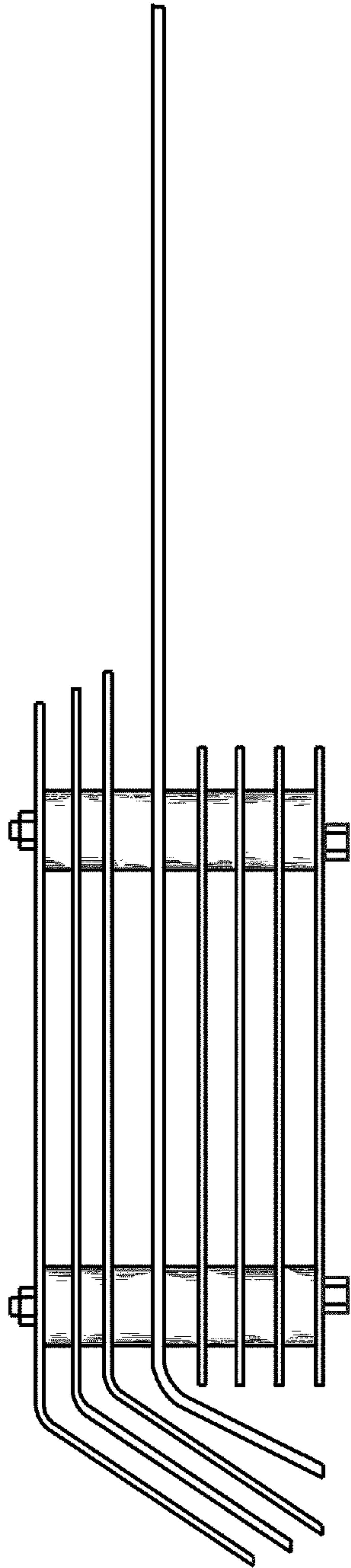


FIG. 3

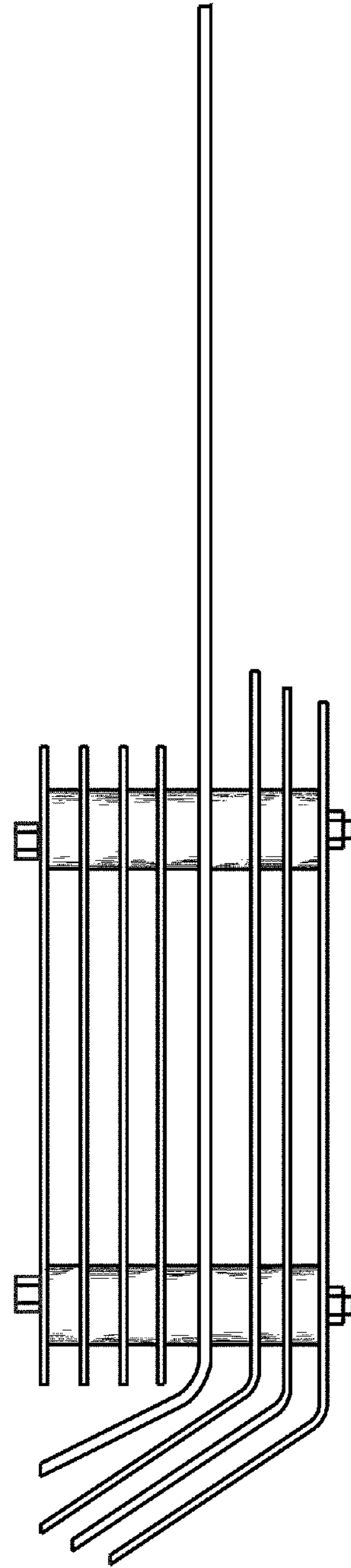


FIG. 4

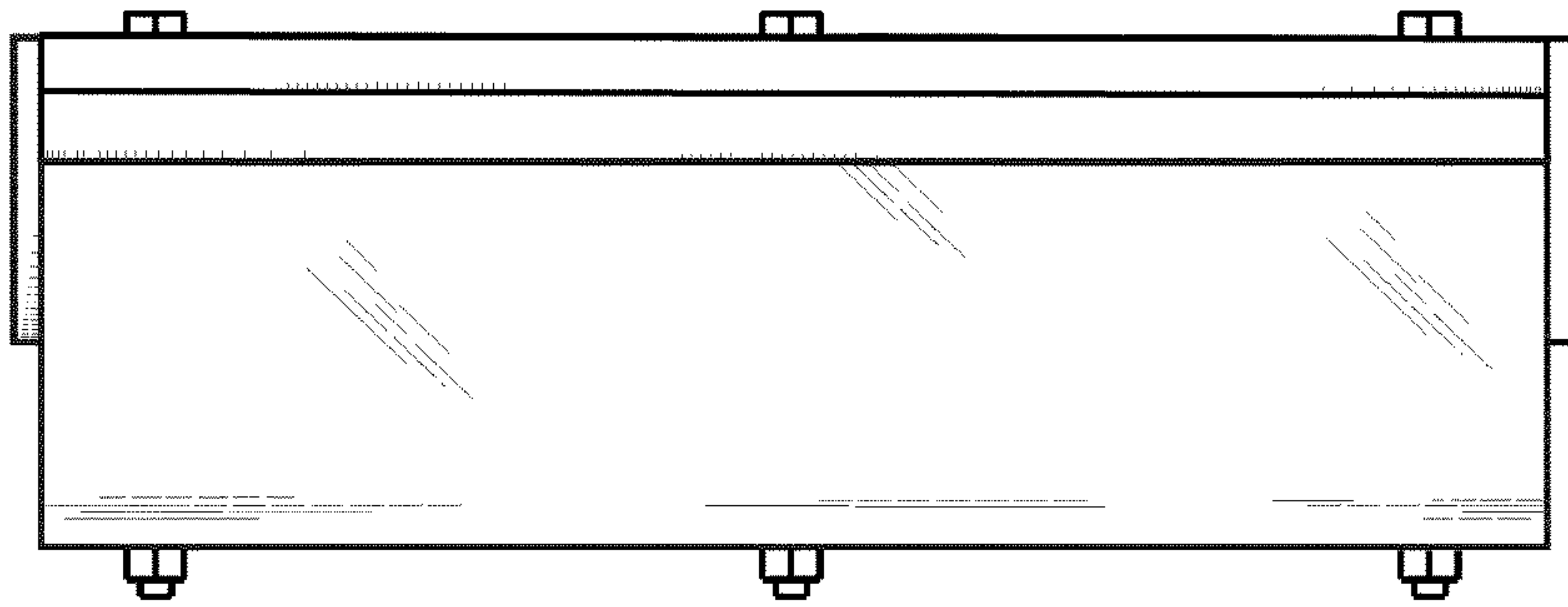


FIG. 6

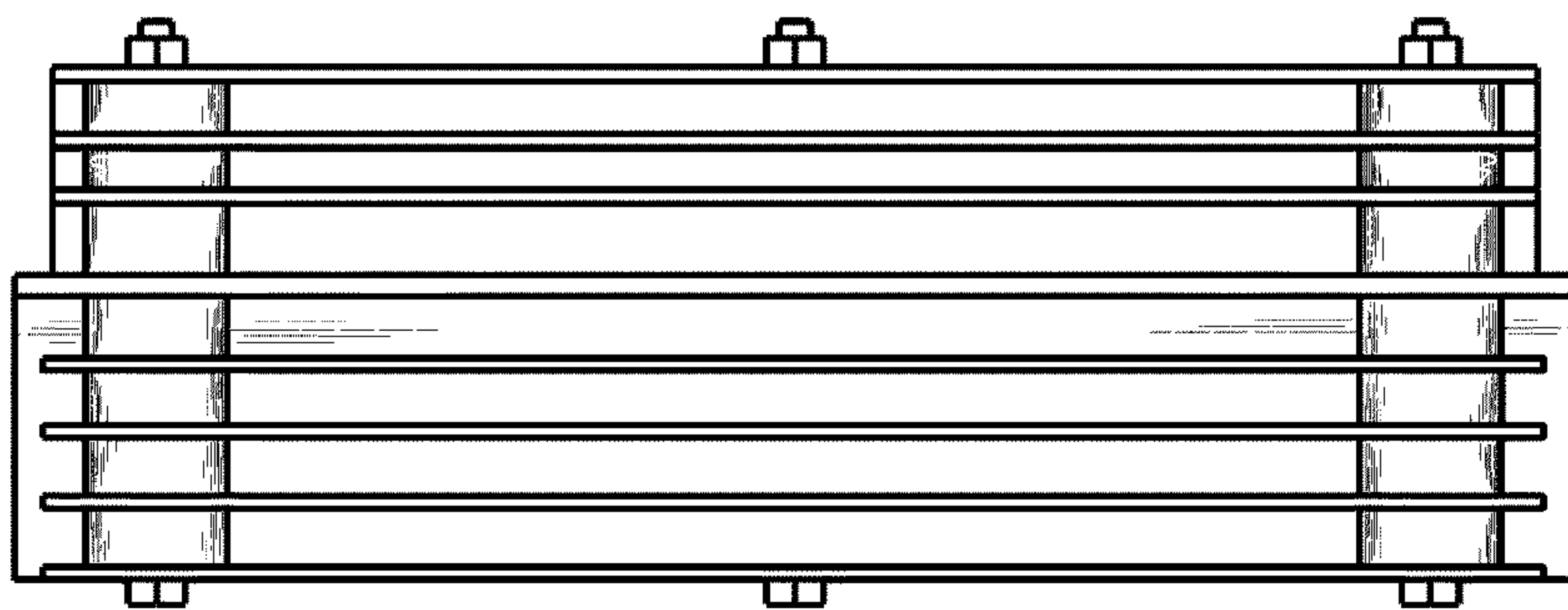


FIG. 5

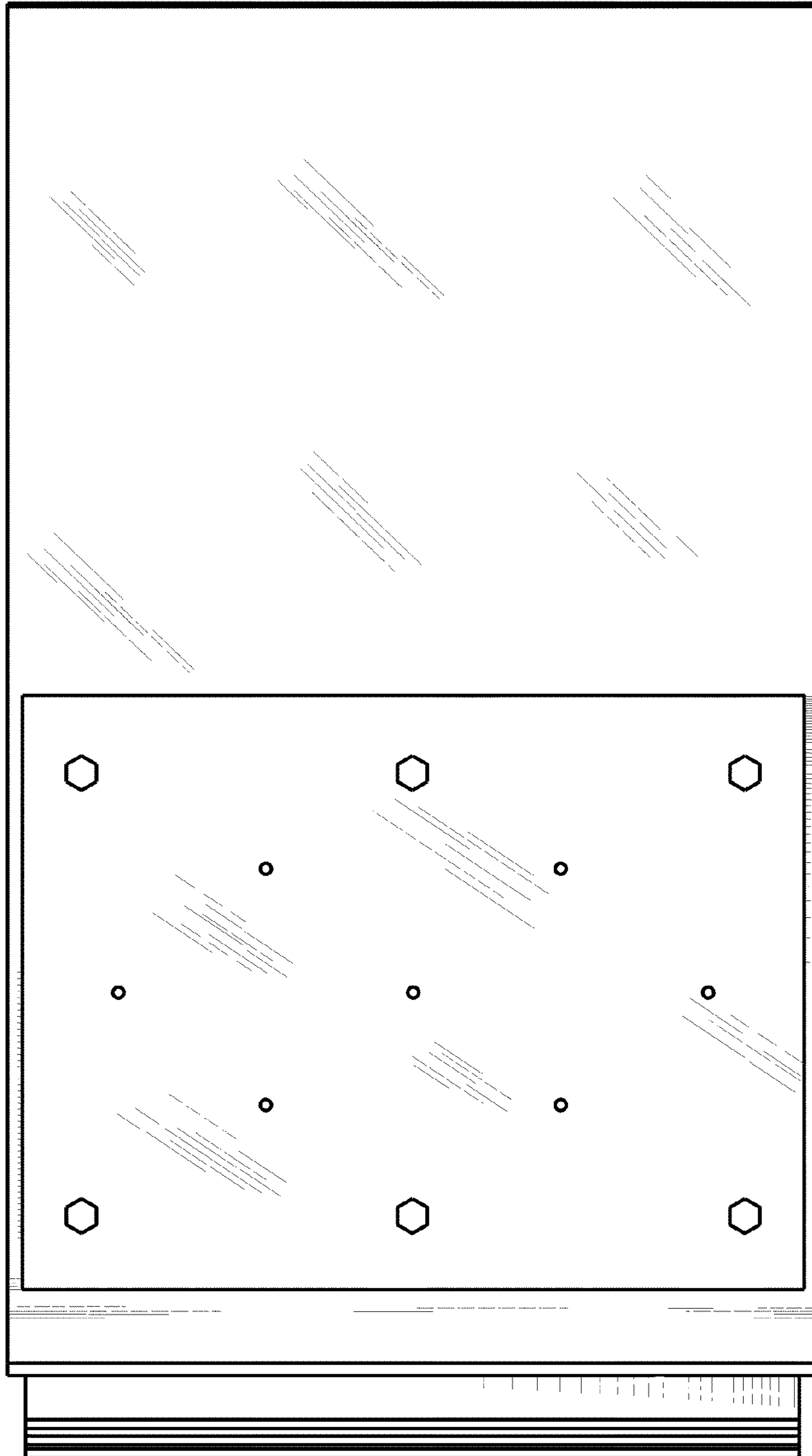


FIG. 7

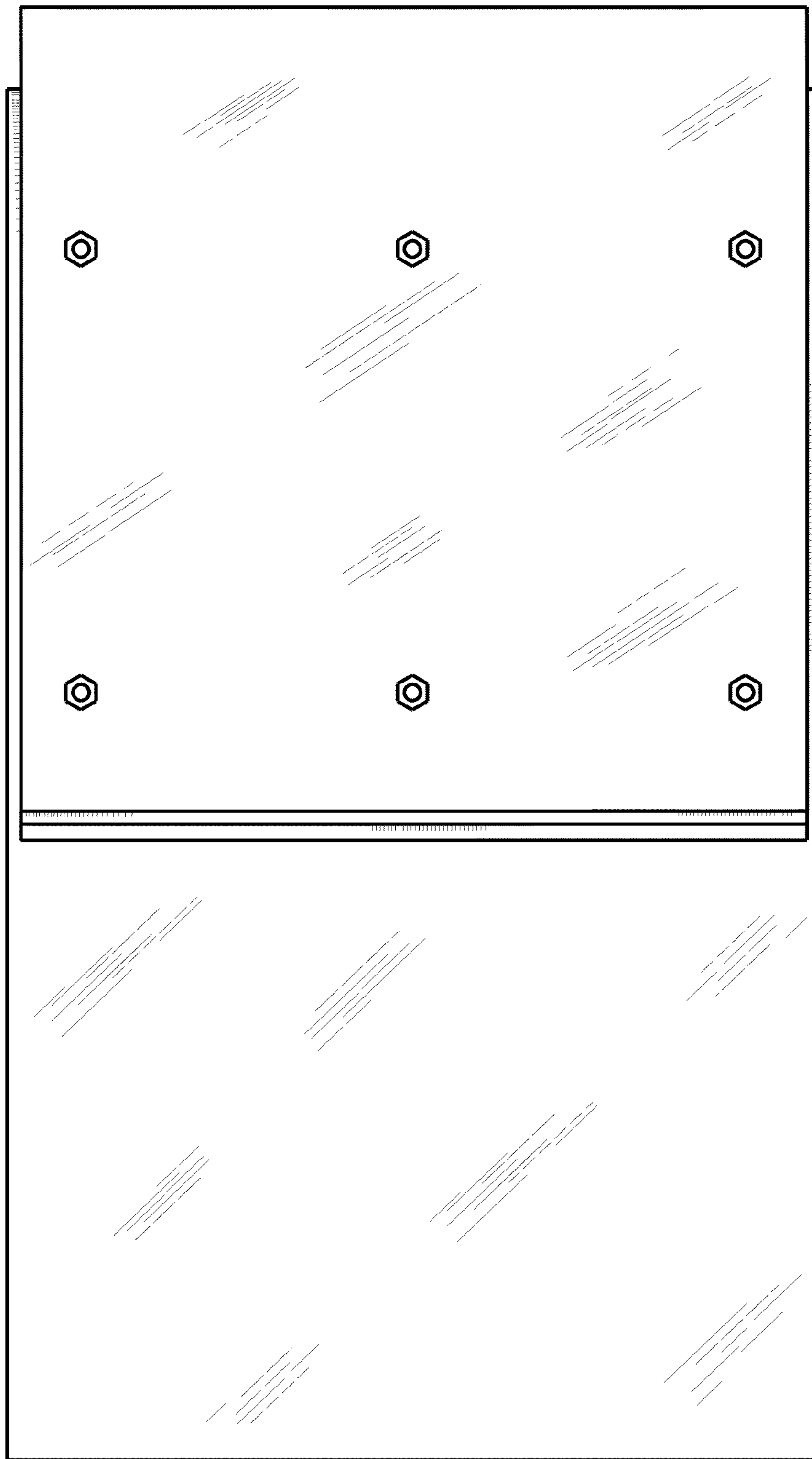


FIG. 8