



US00D627694S

(12) **United States Design Patent**
Schulz et al.

(10) **Patent No.:** **US D627,694 S**

(45) **Date of Patent:** **** Nov. 23, 2010**

(54) **TRANSMISSION RANGE CYLINDER**
(75) Inventors: **Marcus Schulz**, Neustadt (DE); **Holger Kelpe**, Hannover (DE)
(73) Assignee: **WABCO GmbH**, Hannover (DE)
(**) Term: **14 Years**
(21) Appl. No.: **29/313,454**
(22) Filed: **Dec. 23, 2008**

D586,272 S * 2/2009 Schulz D12/180
7,493,992 B2 * 2/2009 Rogers 188/71.5
7,506,573 B2 * 3/2009 Scheckelhoff et al. 92/63
7,556,128 B2 * 7/2009 Mayberry et al. 188/71.5
D601,933 S * 10/2009 Schulz et al. D12/180
D612,877 S * 3/2010 Noguchi D15/143

* cited by examiner

Primary Examiner—Cathron C. Brooks
Assistant Examiner—Maurice Stevens

(74) *Attorney, Agent, or Firm*—Kramer Levin Naftalis & Frankel LLP

(30) **Foreign Application Priority Data**
Jul. 10, 2008 (DE) 40 2008 003 255
(51) **LOC (9) Cl.** **12-16**
(52) **U.S. Cl.** **D12/180**
(58) **Field of Classification Search** D15/5;
D12/179, 180, 218; 188/18 A, 71.5, 170;
92/62-64, 80-82; 192/12 R, 90, 105 BB;
303/7, 10, 20, 87, 113.5, 114.1, 119.2, 119.3,
303/167
See application file for complete search history.

(57) **CLAIM**

The ornamental design for a transmission range cylinder, as shown and described.

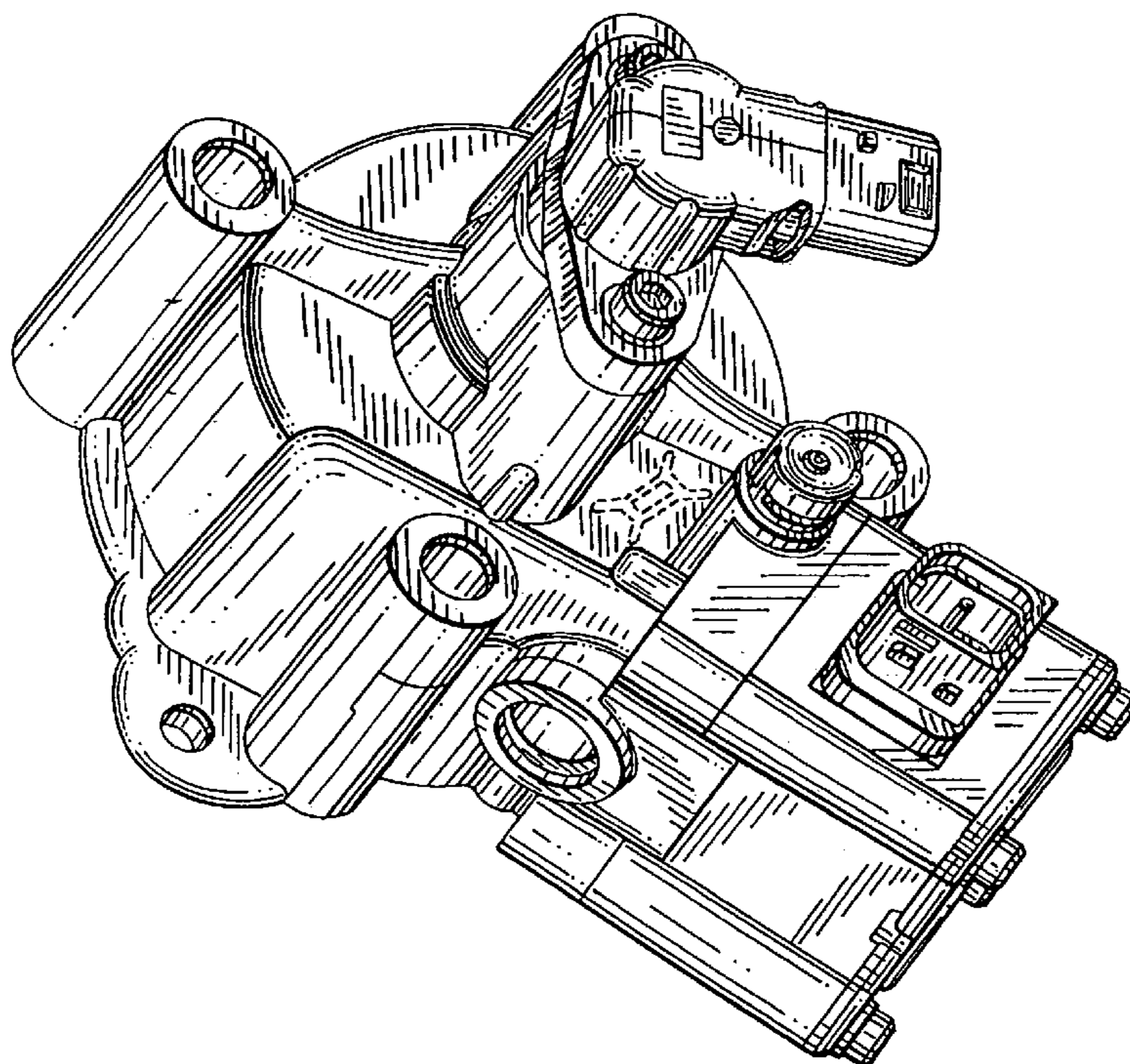
DESCRIPTION

FIG. 1 is a perspective view of a transmission range cylinder showing the new design;
FIG. 2 is a top plan view thereof;
FIG. 3 is a front elevational view thereof;
FIG. 4 is a left side elevational view thereof;
FIG. 5 is a right side elevational view thereof;
FIG. 6 is a rear elevational view thereof; and,
FIG. 7 is a bottom plan view thereof.

The broken line showing of the unclaimed portions of the transmission range cylinder forms no part of the claimed design.

(56) **References Cited**
U.S. PATENT DOCUMENTS
7,014,019 B2 * 3/2006 Krug et al. 188/167
D545,737 S * 7/2007 Sherman D12/180
D546,252 S * 7/2007 Belisle D12/180
7,343,847 B2 * 3/2008 Scheckelhoff et al. 92/63
D581,330 S * 11/2008 Stender D12/180
D581,331 S * 11/2008 Stender D12/180
D584,666 S * 1/2009 Stender D12/180

1 Claim, 7 Drawing Sheets



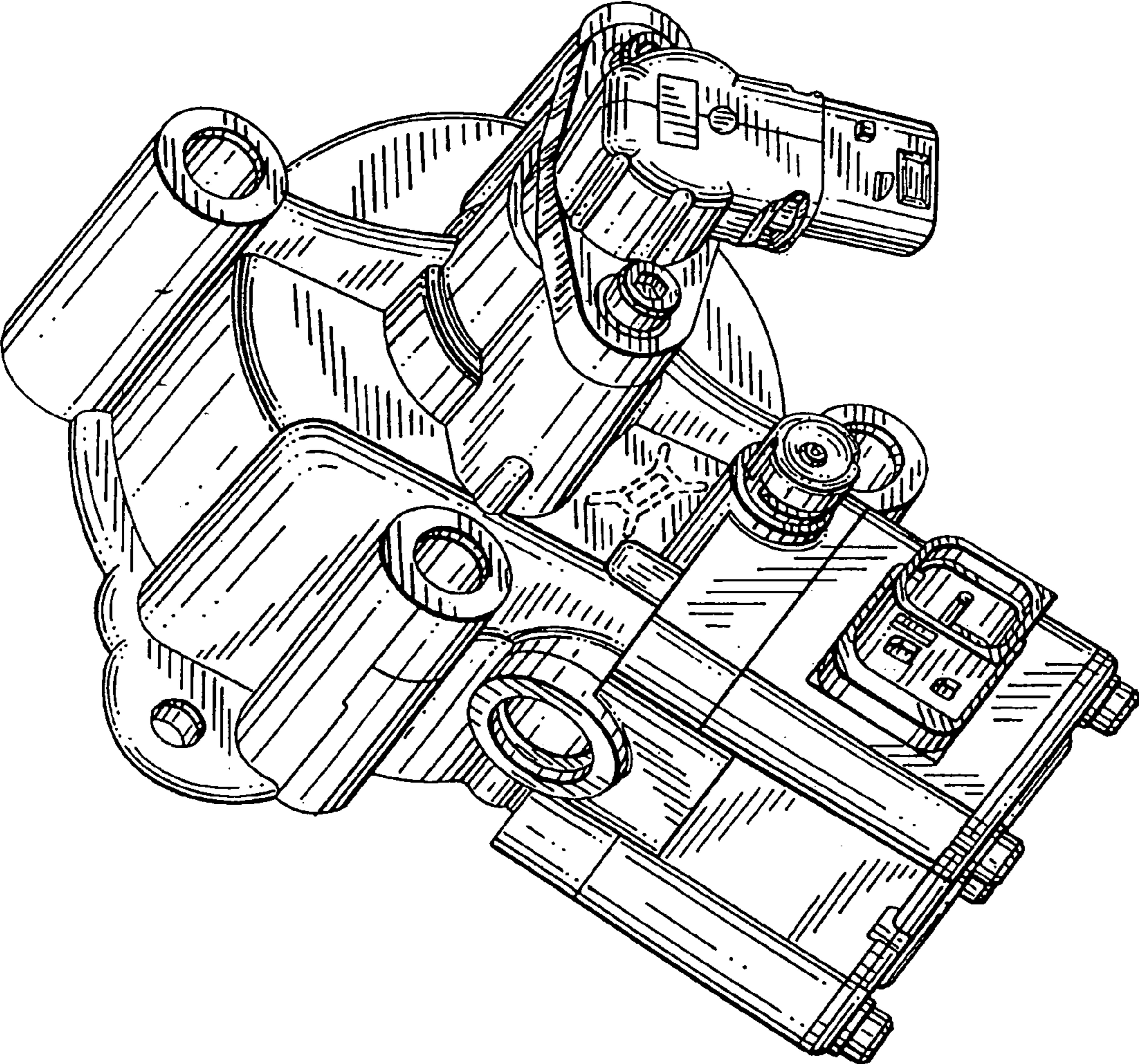


FIG. 1

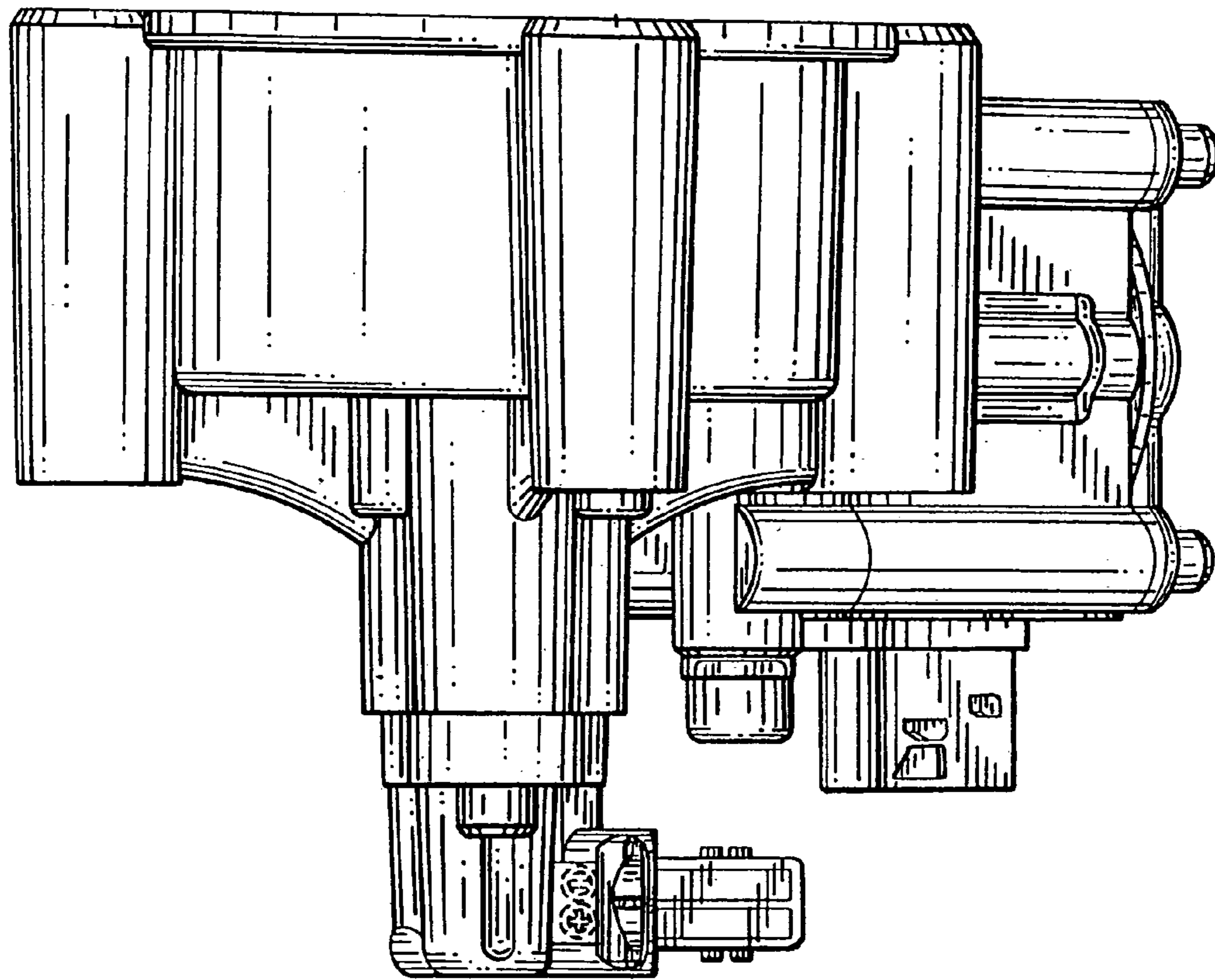


FIG. 2

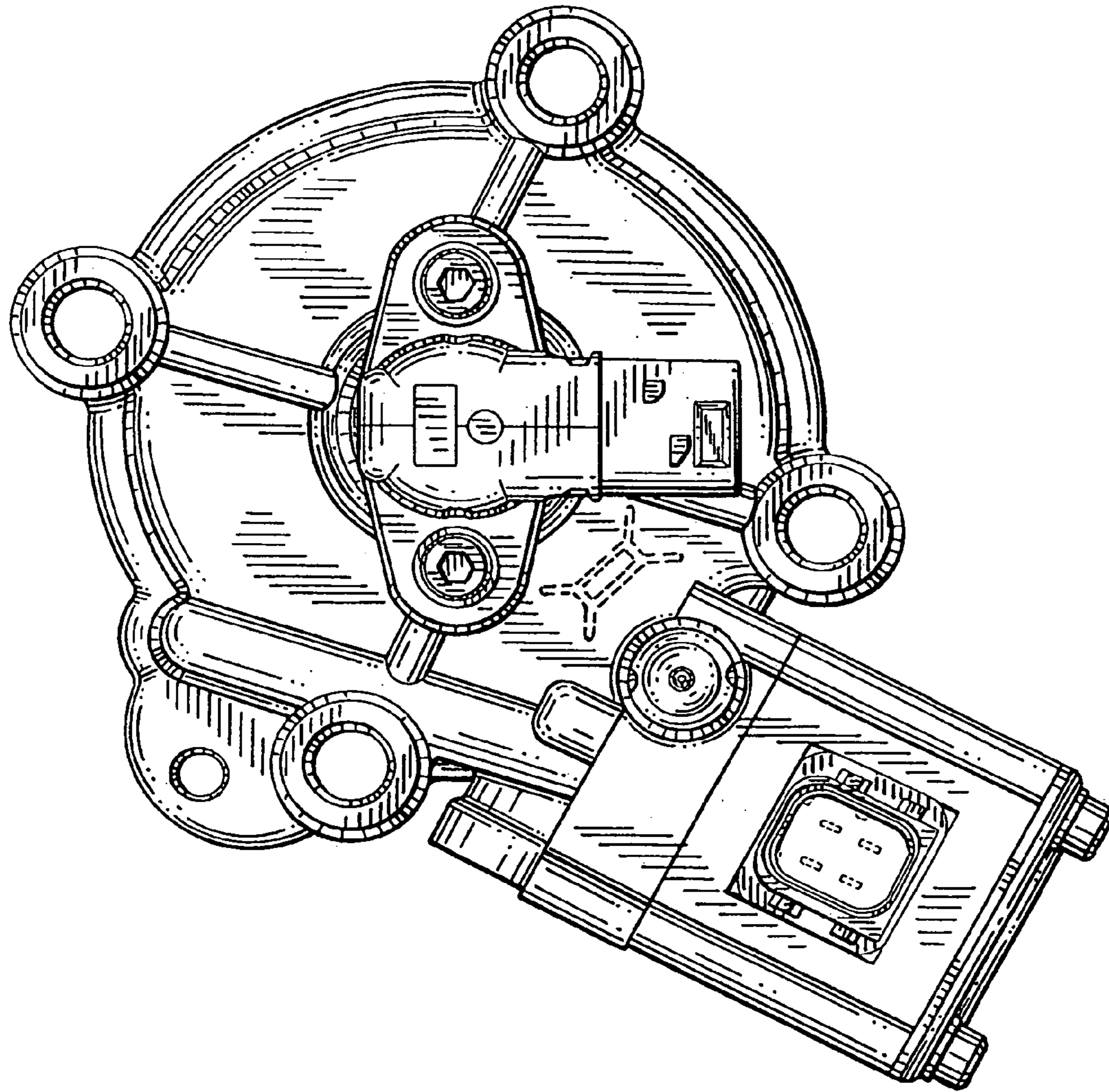


FIG. 3

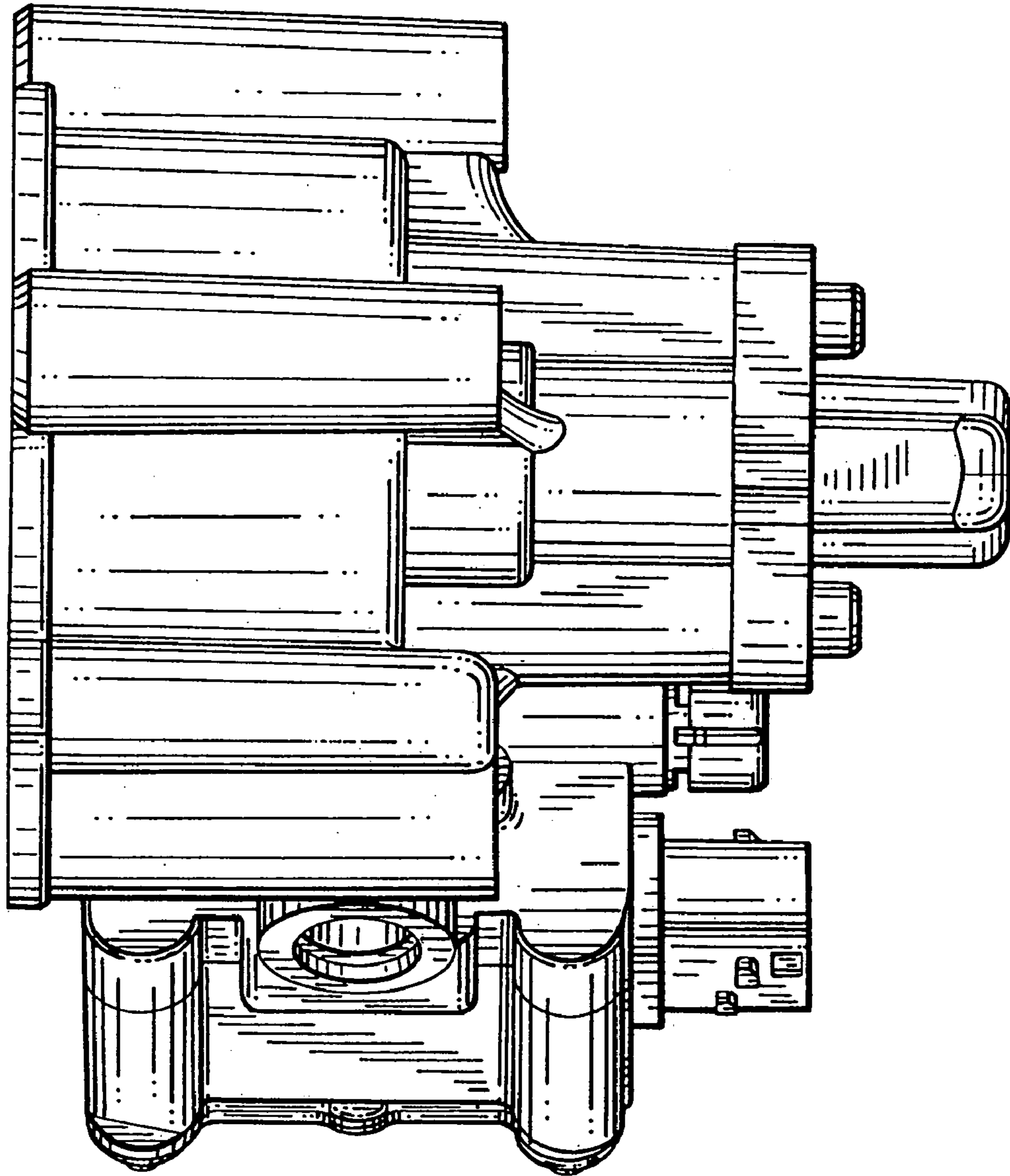


FIG. 4

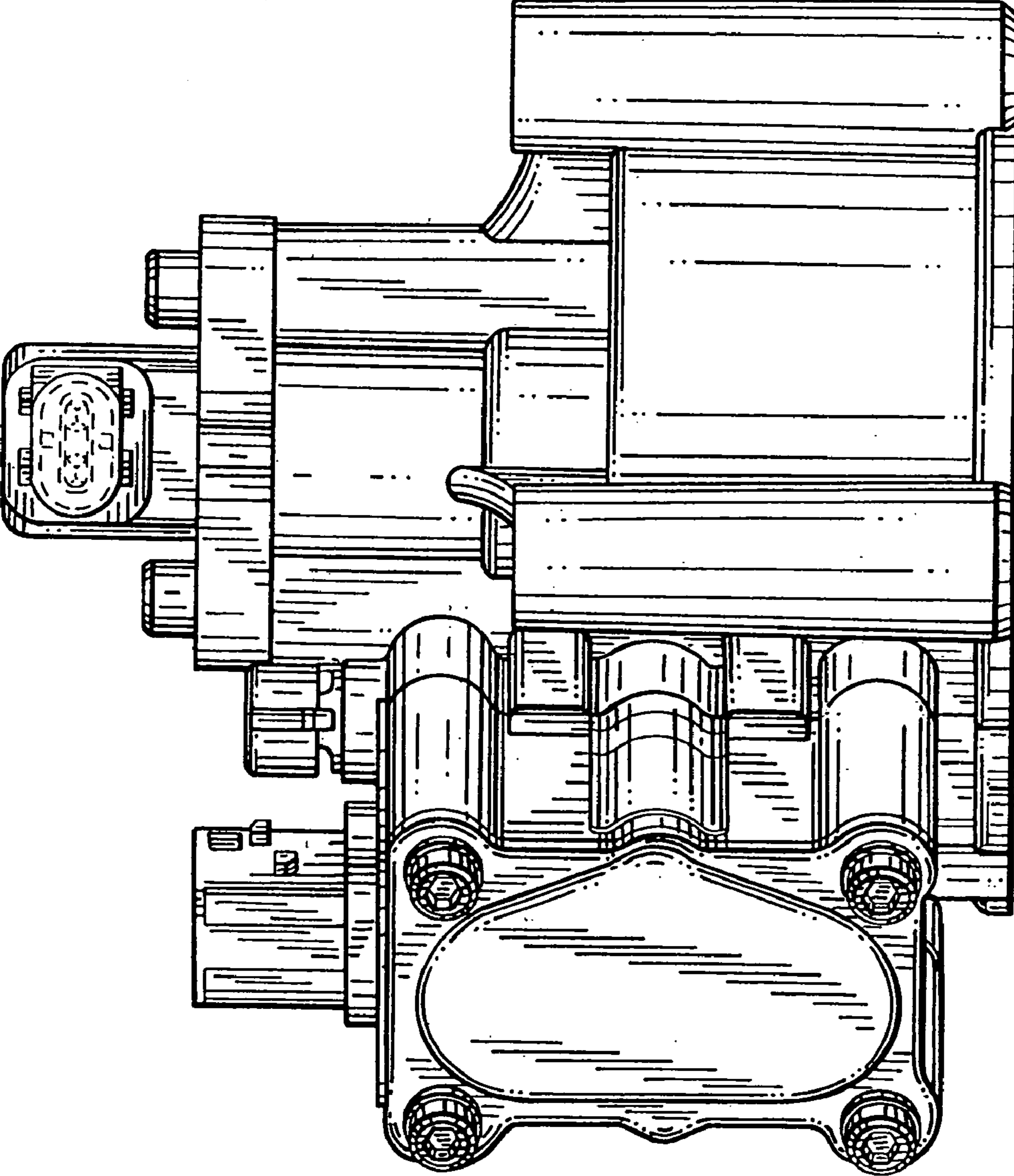


FIG. 5

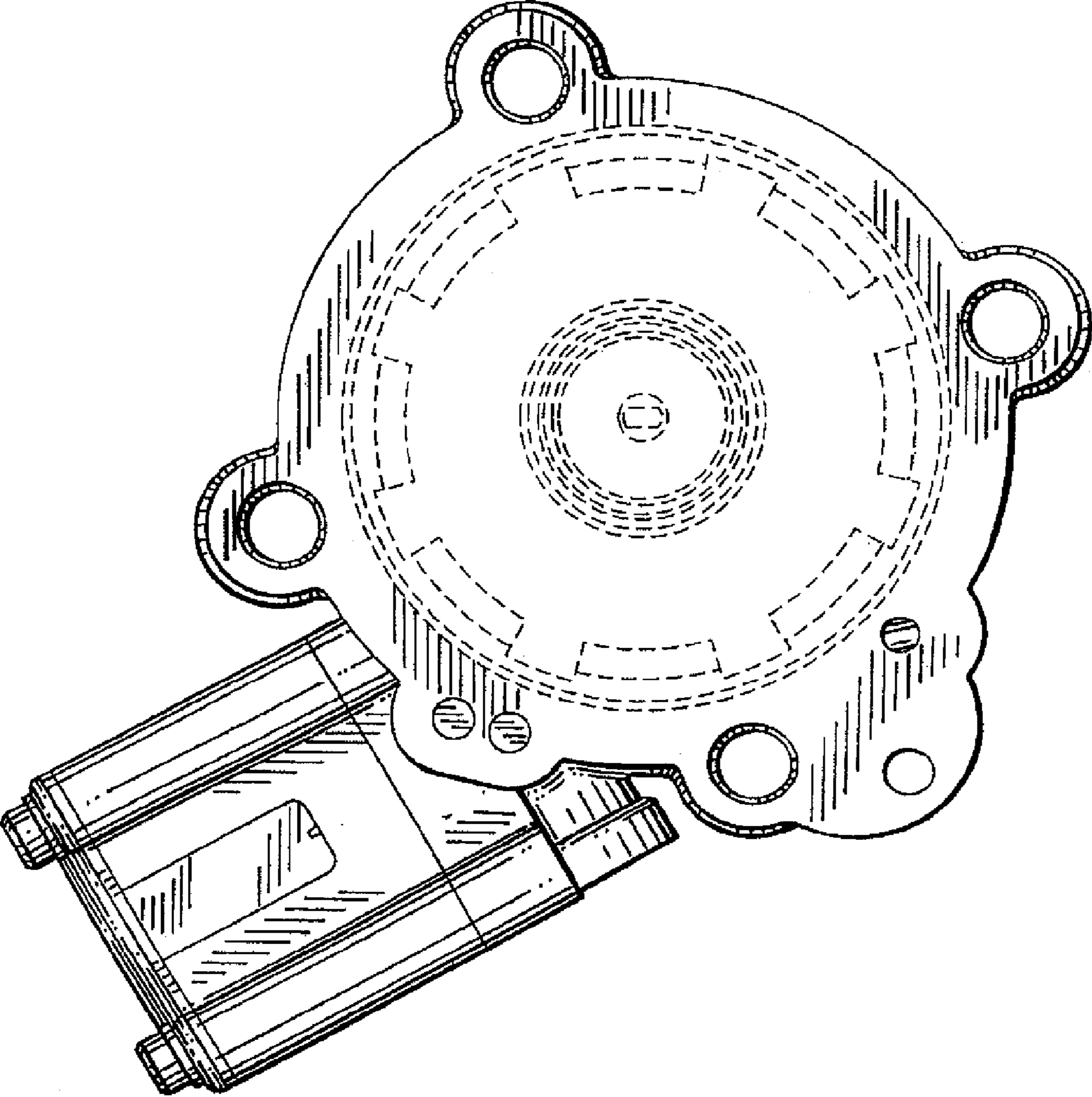


FIG. 6

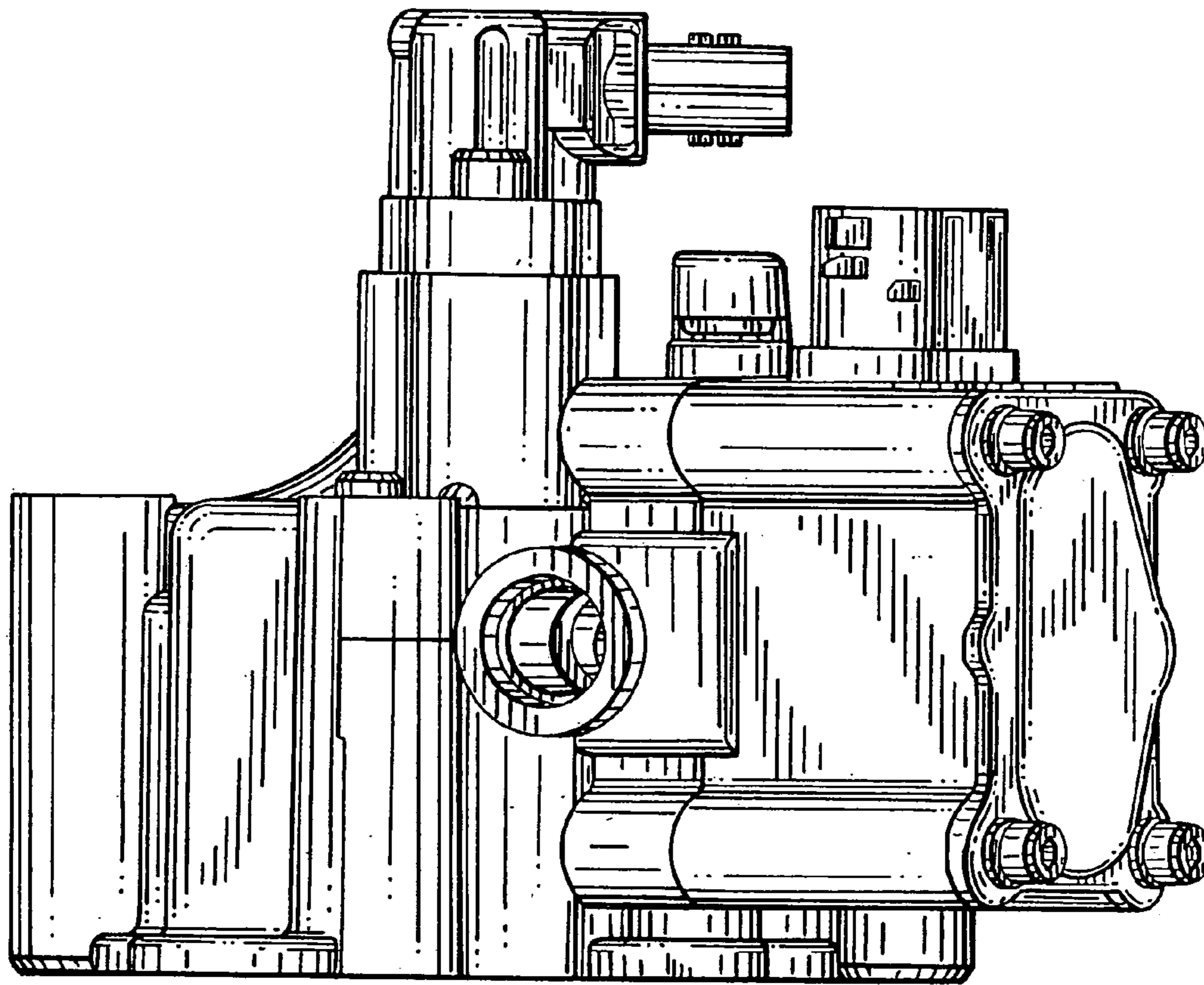


FIG. 7