



US00D627691S

(12) **United States Design Patent**
Tchitchikoshvili

(10) **Patent No.:** **US D627,691 S**

(45) **Date of Patent:** **** Nov. 23, 2010**

(54) **BABY WALKER EXERCISER**

7,025,364 B1 4/2006 Clarke
D587,764 S * 3/2009 Cheng D21/419

(76) Inventor: **Manana Tchitchikoshvili**, 5711
Gardner Court Dr., Tampa, FL (US)
33634

* cited by examiner

Primary Examiner—Charles A Rademaker

Assistant Examiner—Charles D Hanson

(**) Term: **14 Years**

(21) Appl. No.: **29/355,088**

(57) **CLAIM**

(22) Filed: **Feb. 2, 2010**

The ornamental design for a baby walker exerciser, as shown and described.

(51) **LOC (9) Cl.** **12-12**

DESCRIPTION

(52) **U.S. Cl.** **D12/130; D21/412; D21/419**

FIG. 1 is a perspective view of a baby walker exerciser showing my new design;

(58) **Field of Classification Search** D12/130;

FIG. 2 is a top plan view thereof;

D21/412, 419, 421; 280/87.021, 87.051
See application file for complete search history.

FIG. 3 is a bottom plan view thereof;

(56) **References Cited**

FIG. 4 is a left side elevational thereof;

U.S. PATENT DOCUMENTS

FIG. 5 is a right side elevational view thereof;

4,084,273 A * 4/1978 Haynes 5/105

FIG. 6 is a front elevational view thereof; and,

D265,218 S * 6/1982 Robinett D21/412

FIG. 7 is a rear elevational view thereof.

D355,939 S * 2/1995 Meeker et al. D21/412

The broken lines shown on the figures are for illustrative purposes only and are hereby disclaimed as forming no part of Applicant's claimed invention.

D369,685 S * 5/1996 Meeker et al. D21/412

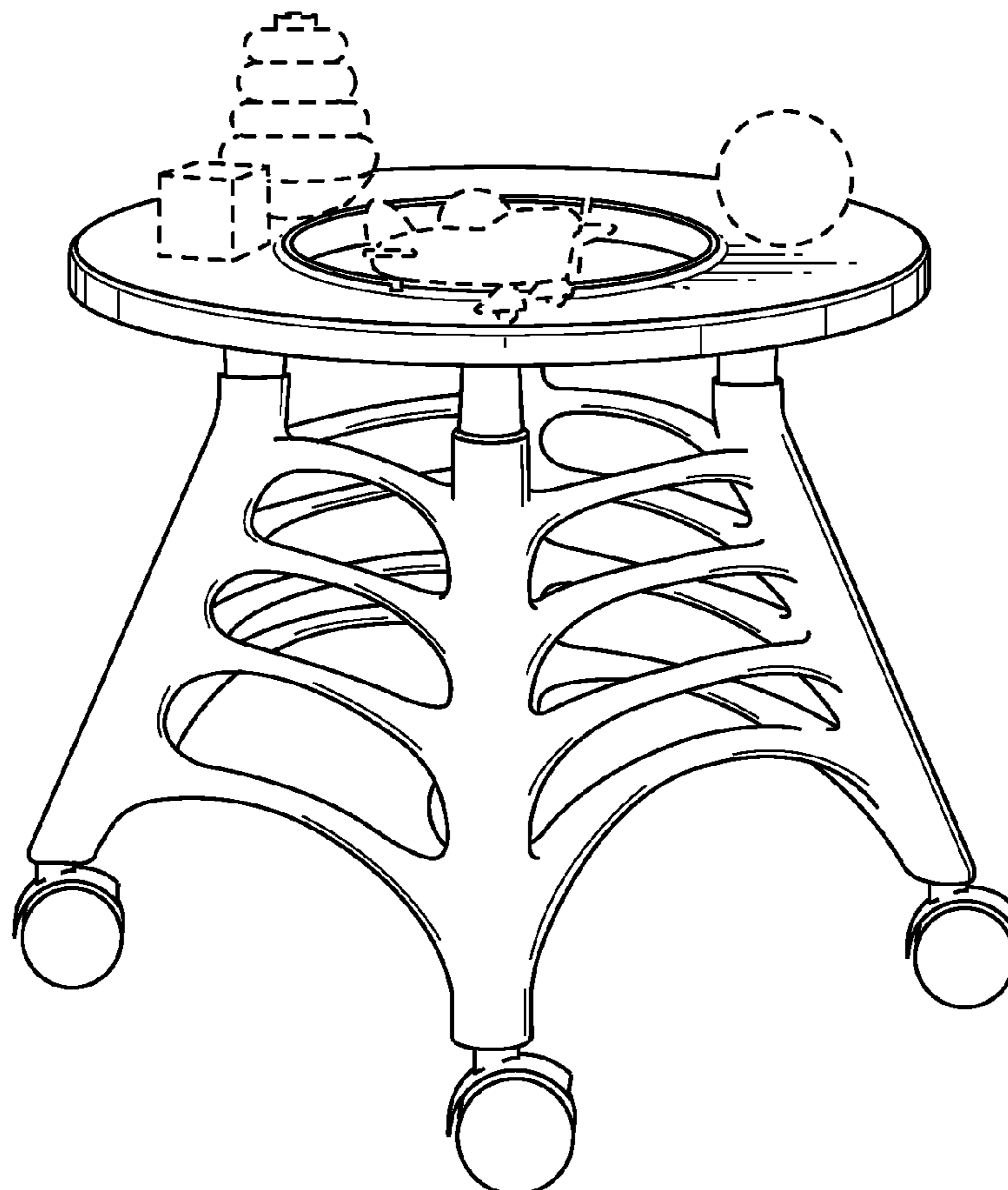
5,788,253 A 8/1998 Thomson

D439,207 S * 3/2001 Liu D12/130

D466,843 S * 12/2002 Paesang et al. D12/130

6,863,287 B2 3/2005 Myers

1 Claim, 4 Drawing Sheets



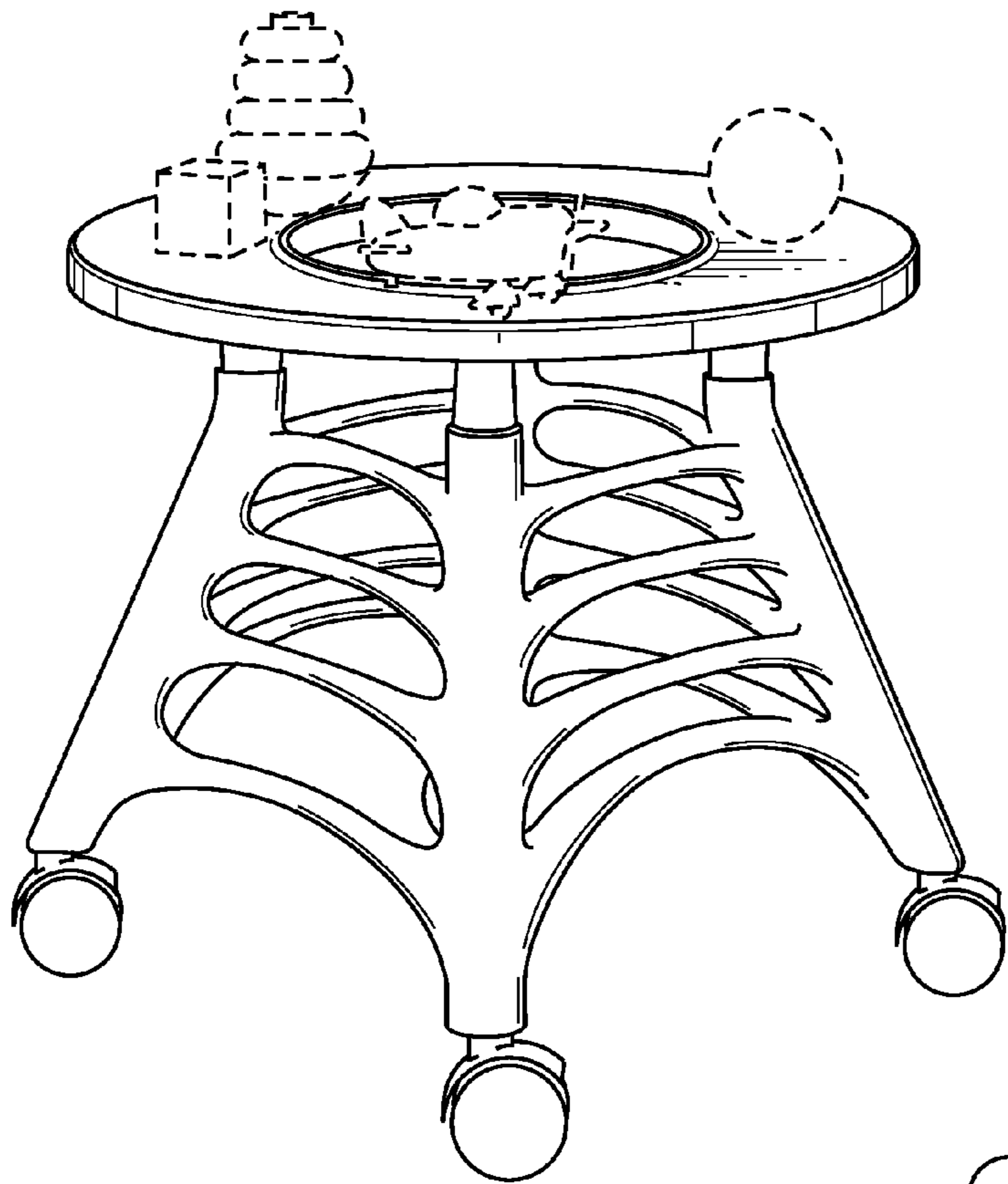


Fig. 1

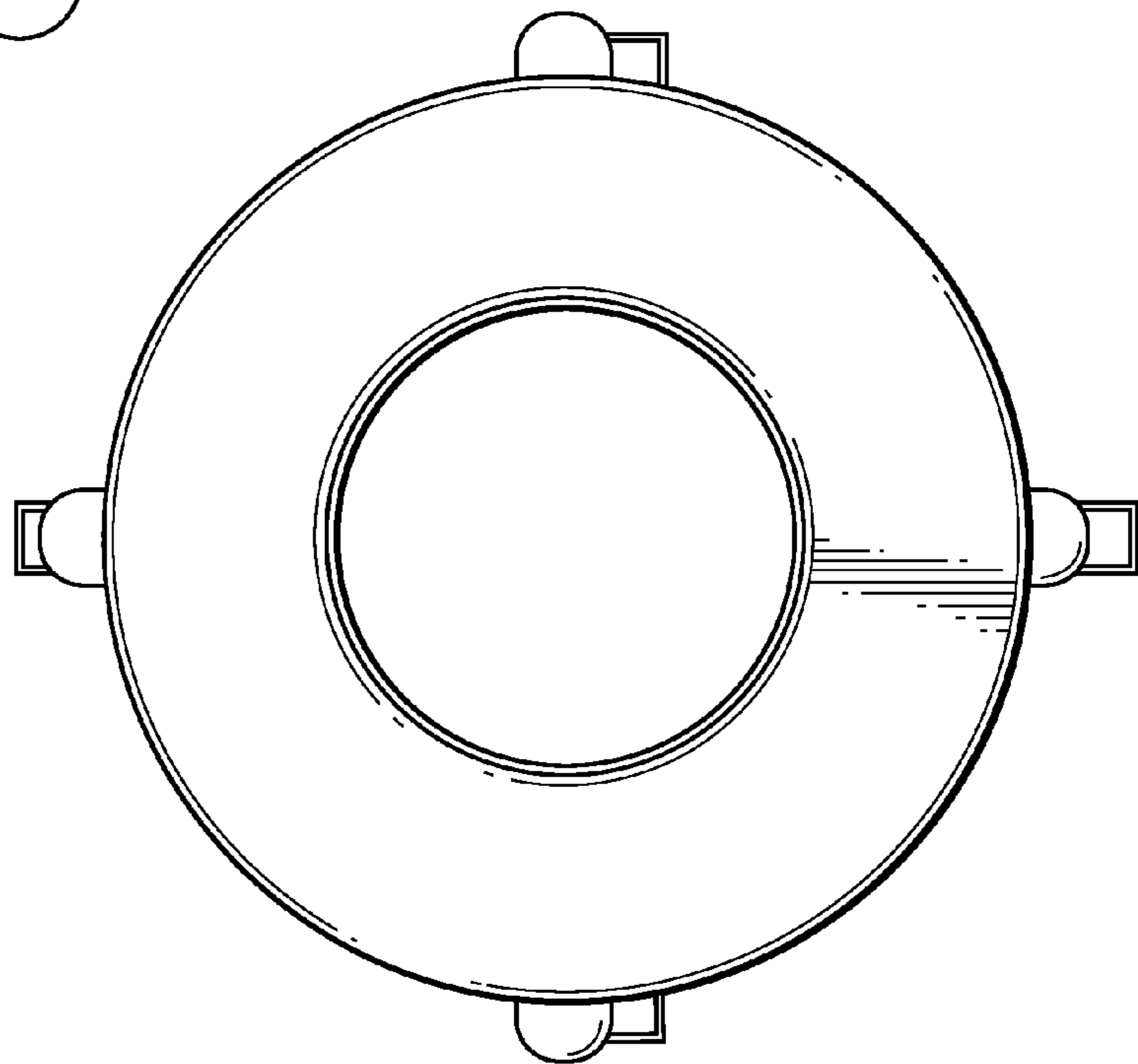


Fig. 2

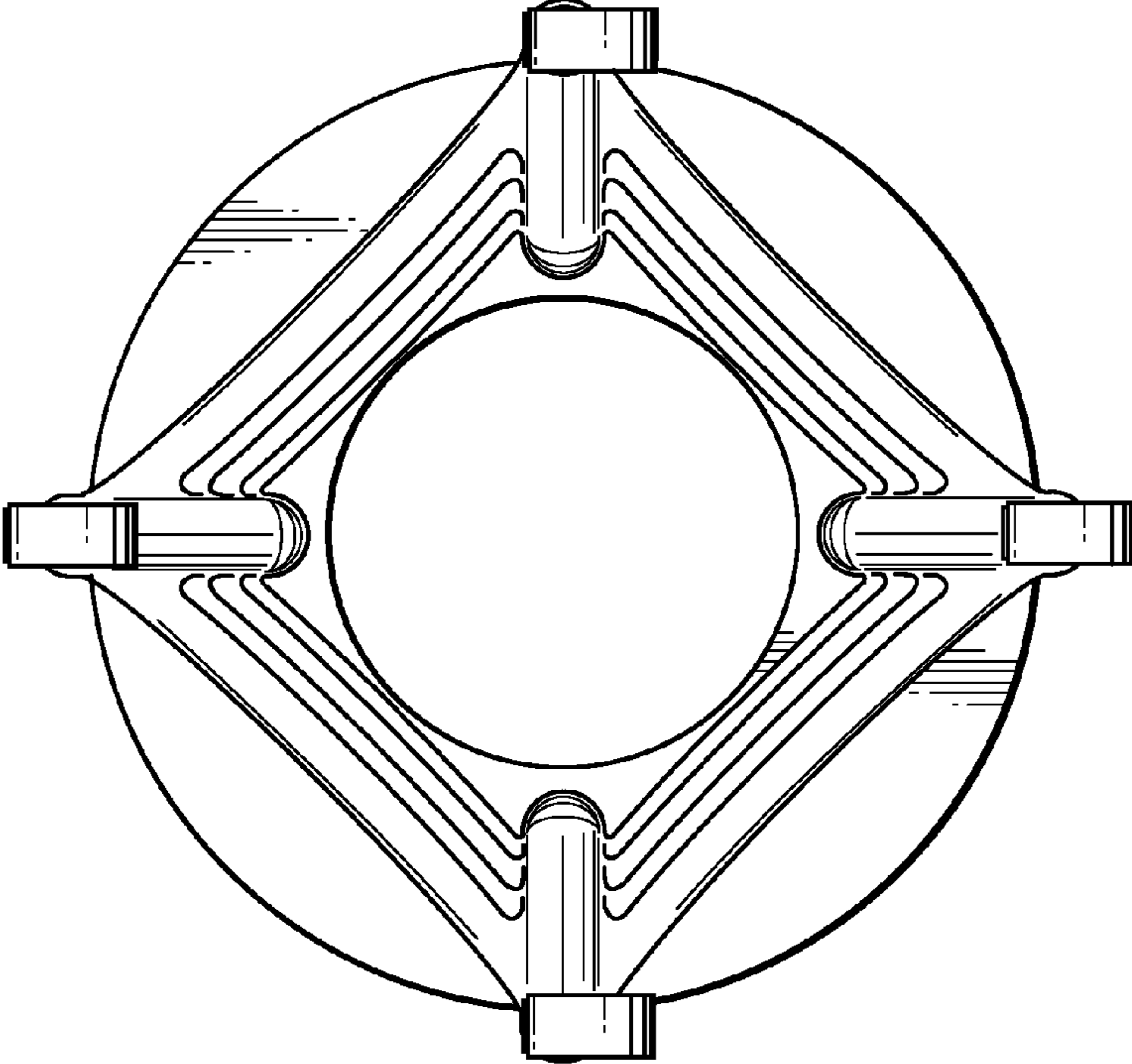


Fig. 3

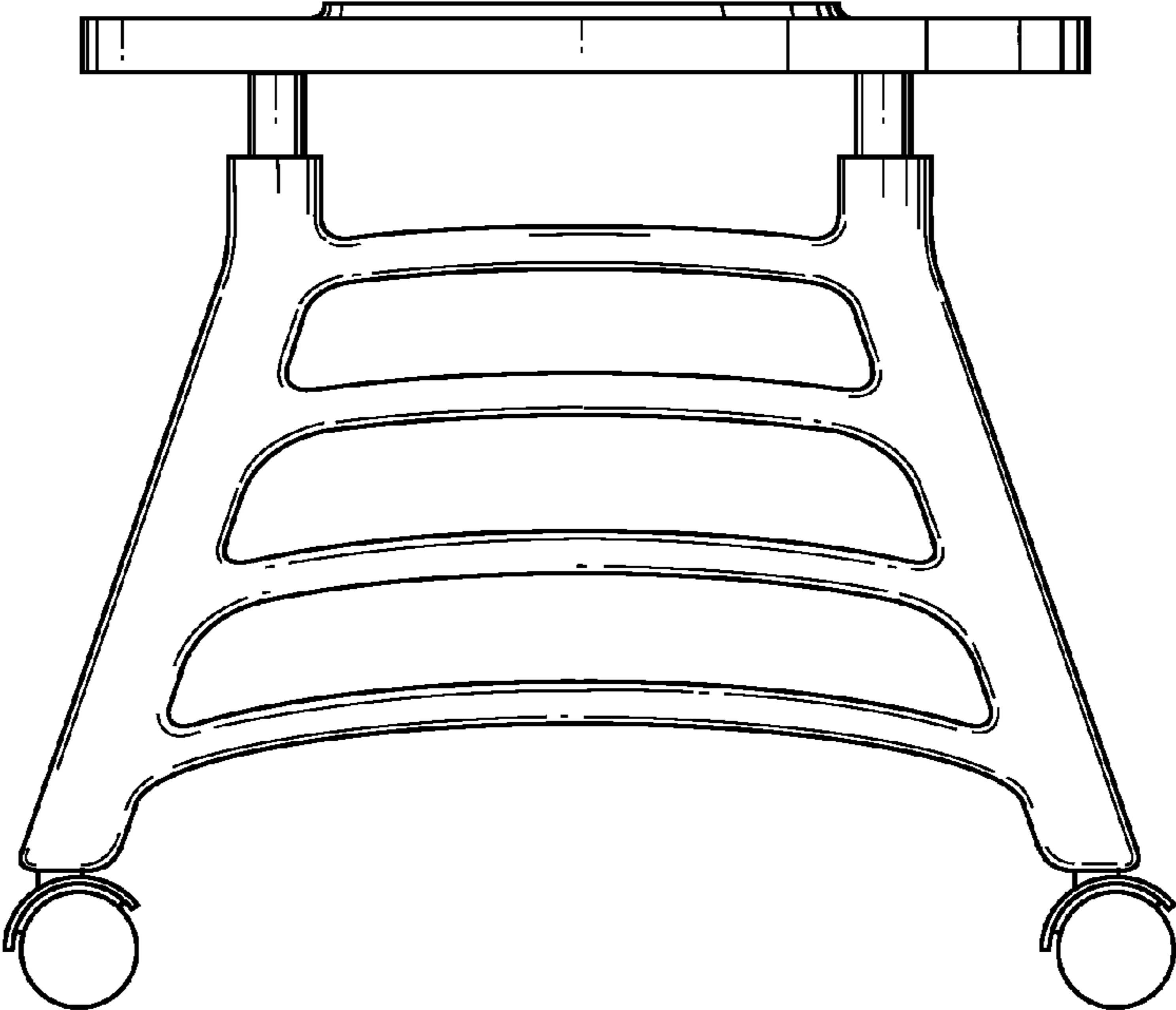


Fig. 4

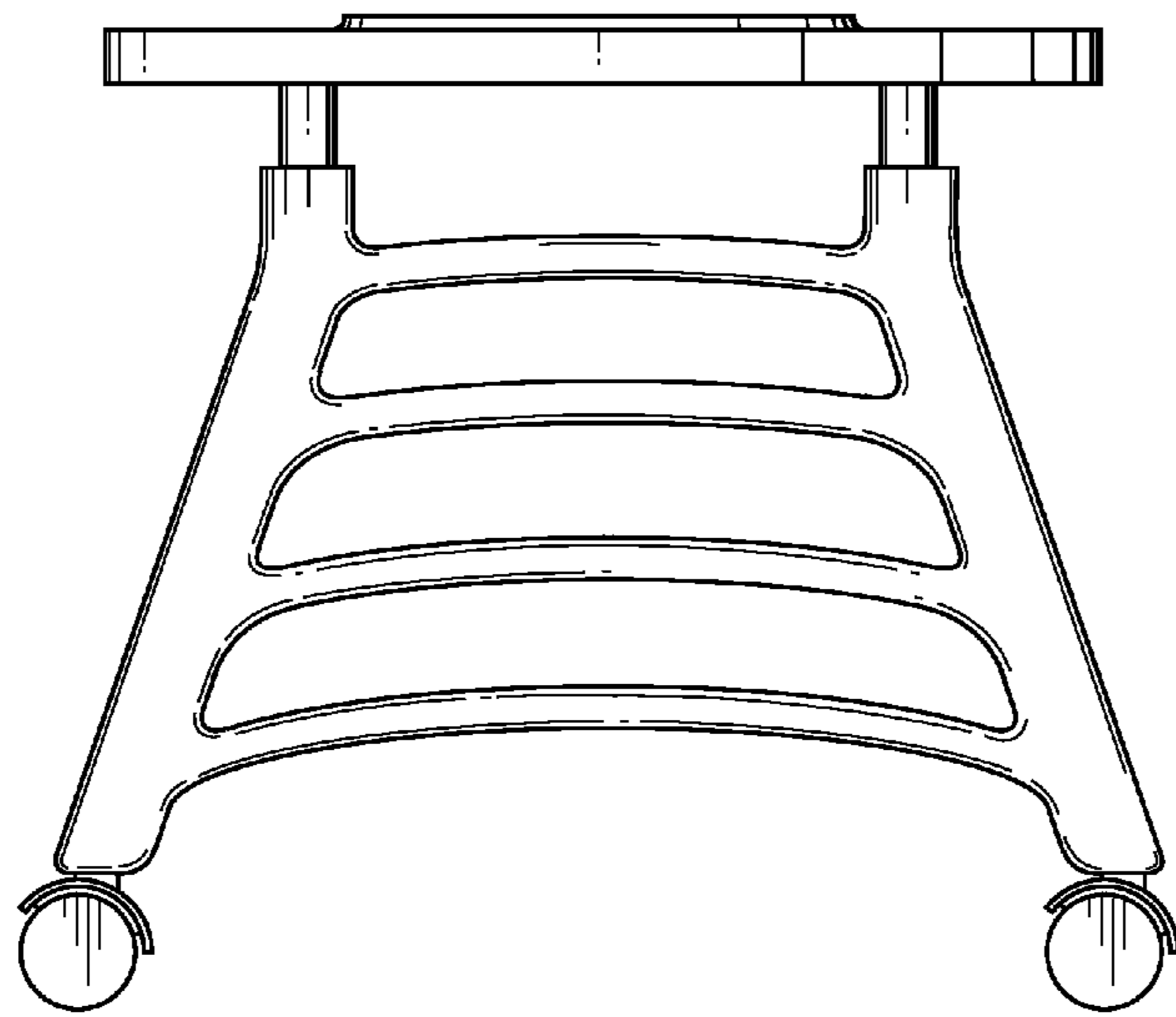
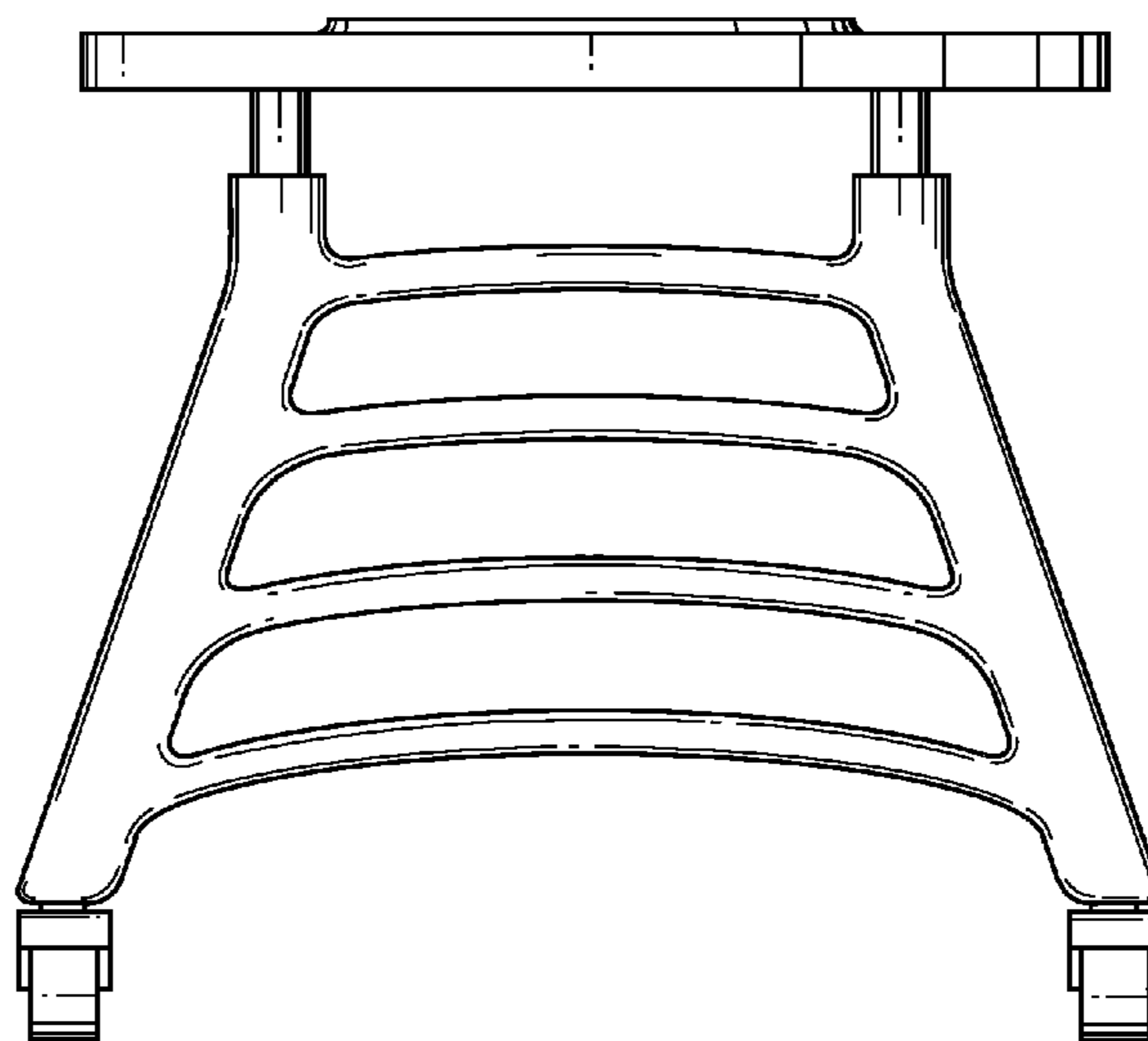


Fig. 5

Fig. 6



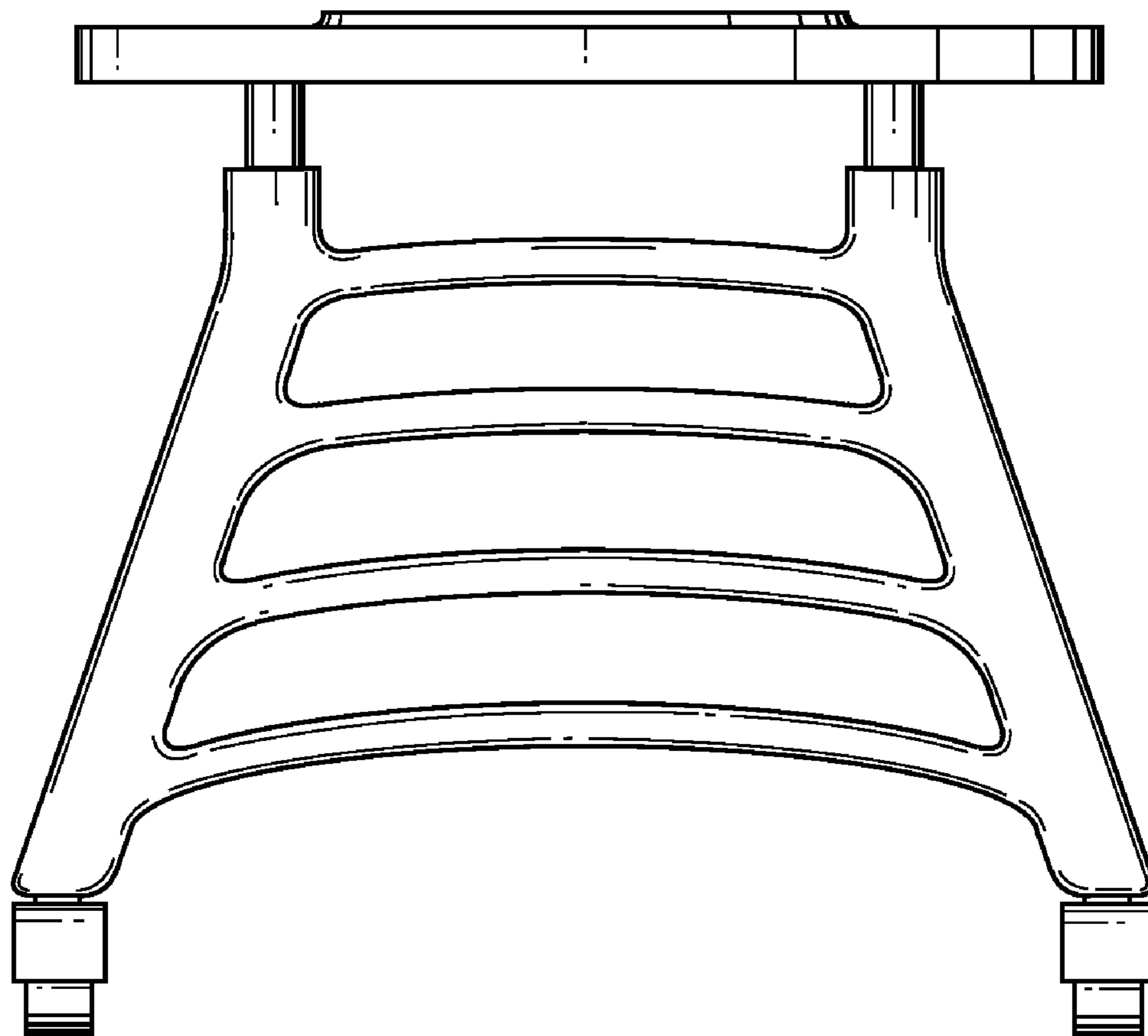


Fig. 7