



US00D627690S

(12) **United States Design Patent**
Madden

(10) **Patent No.:** **US D627,690 S**
(45) **Date of Patent:** **** Nov. 23, 2010**

(54) **MOTORCYCLE TRUNK HINGE COVER**

2008/0295286 A1* 12/2008 Falato et al. 16/250

(75) Inventor: **Kenneth E. Madden**, Andover, MN
(US)

(73) Assignee: **Kuryakyn Holdings, Inc.**, Somerset, WI
(US)

(**) Term: **14 Years**

(21) Appl. No.: **29/348,655**

(22) Filed: **Jan. 26, 2010**

(51) **LOC (9) Cl.** **12-11**

(52) **U.S. Cl.** **D12/126**

(58) **Field of Classification Search** D12/406,
D12/407, 409, 410, 114, 126, 223, 420, 110,
D12/400, 190, 196; 224/441-462, 436-439,
224/412-427, 428-435, 440, 511, 42.11,
224/42.13; 280/202; D3/231, 239, 242;
D8/323-329; 16/223, 231, 250-252, 258,
16/261, 224, 277, 297, 360, 369; 180/219;
296/37.1, 1.07, 1.08, 76

See application file for complete search history.

(56) **References Cited**

U.S. PATENT DOCUMENTS

| | | | | |
|----------------|--------|---------------|-------|---------|
| D309,704 S * | 8/1990 | Grass | | D8/323 |
| D348,201 S * | 6/1994 | Ferrari | | D8/323 |
| 5,618,060 A * | 4/1997 | Warren et al. | | 280/848 |
| 6,557,210 B2 * | 5/2003 | Kincaid | | 16/250 |
| D610,050 S * | 2/2010 | Madden | | D12/126 |

OTHER PUBLICATIONS

Saddlebag Hinge Stop Kit © 2009. [Retrieved on Jul. 6, 2010].
Retrieved from the Internet <URL: <http://www.latus-harley-davidson.com/Saddlebag-Hinge-Stop-Kit.htm>>. (3 pages).*

* cited by examiner

Primary Examiner—Susan M Lee

Assistant Examiner—Linda G. Brooks

(74) *Attorney, Agent, or Firm*—Dicke, Billig & Czaja, PLLC

(57) **CLAIM**

The ornamental design for a motorcycle trunk hinge cover, as shown and described.

DESCRIPTION

FIG. 1 is a front perspective view of the motorcycle trunk hinge cover of the present invention.

FIG. 2 is a front elevation view thereof.

FIG. 3 is a rear elevation view thereof.

FIG. 4 is a top view thereof.

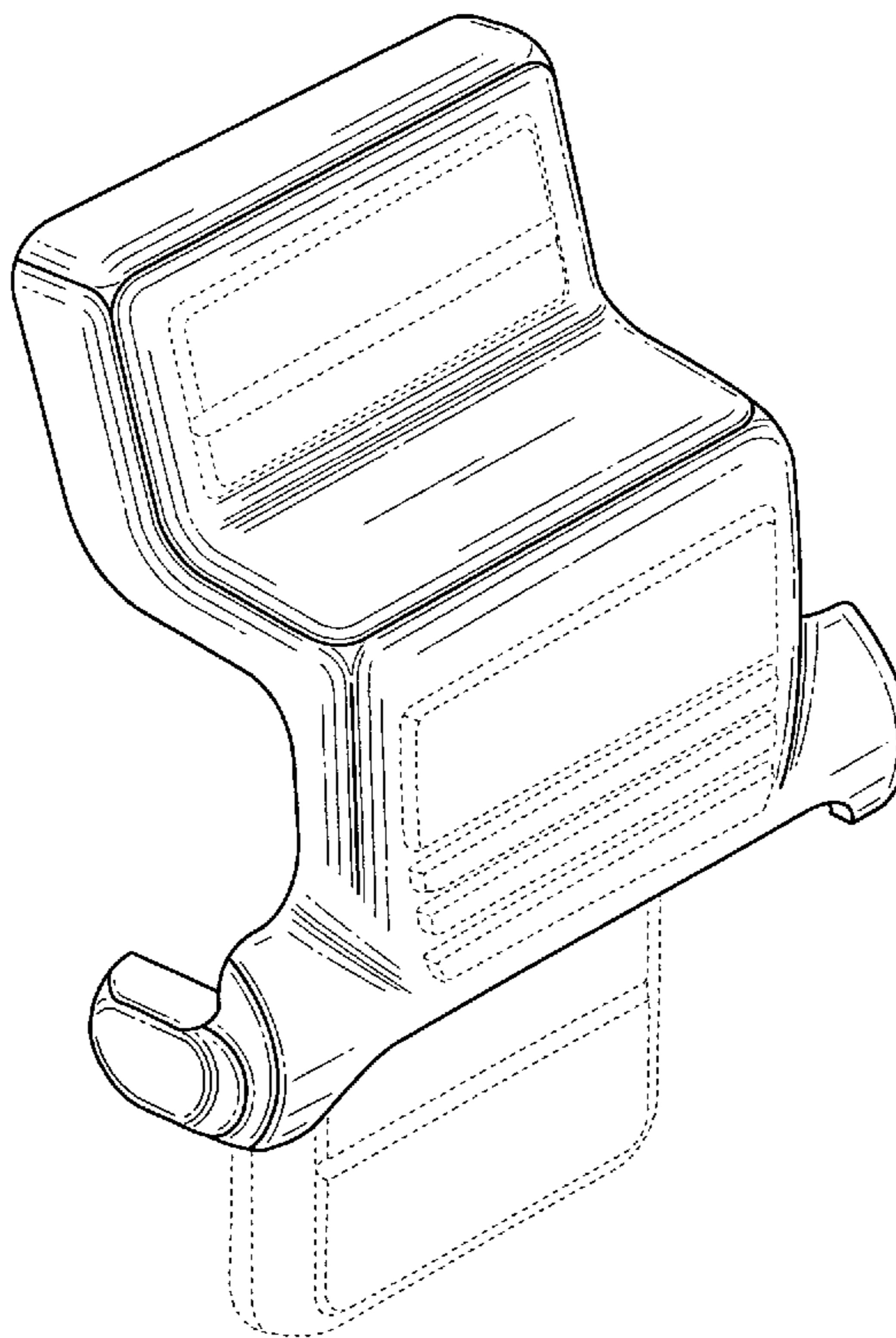
FIG. 5 is a bottom view thereof.

FIG. 6 is a left side view thereof; and,

FIG. 7 is a right side view thereof.

The rear surface, front surface portions and lower cover portion of the motorcycle trunk hinge cover shown in broken lines form no part of the claimed design.

1 Claim, 4 Drawing Sheets



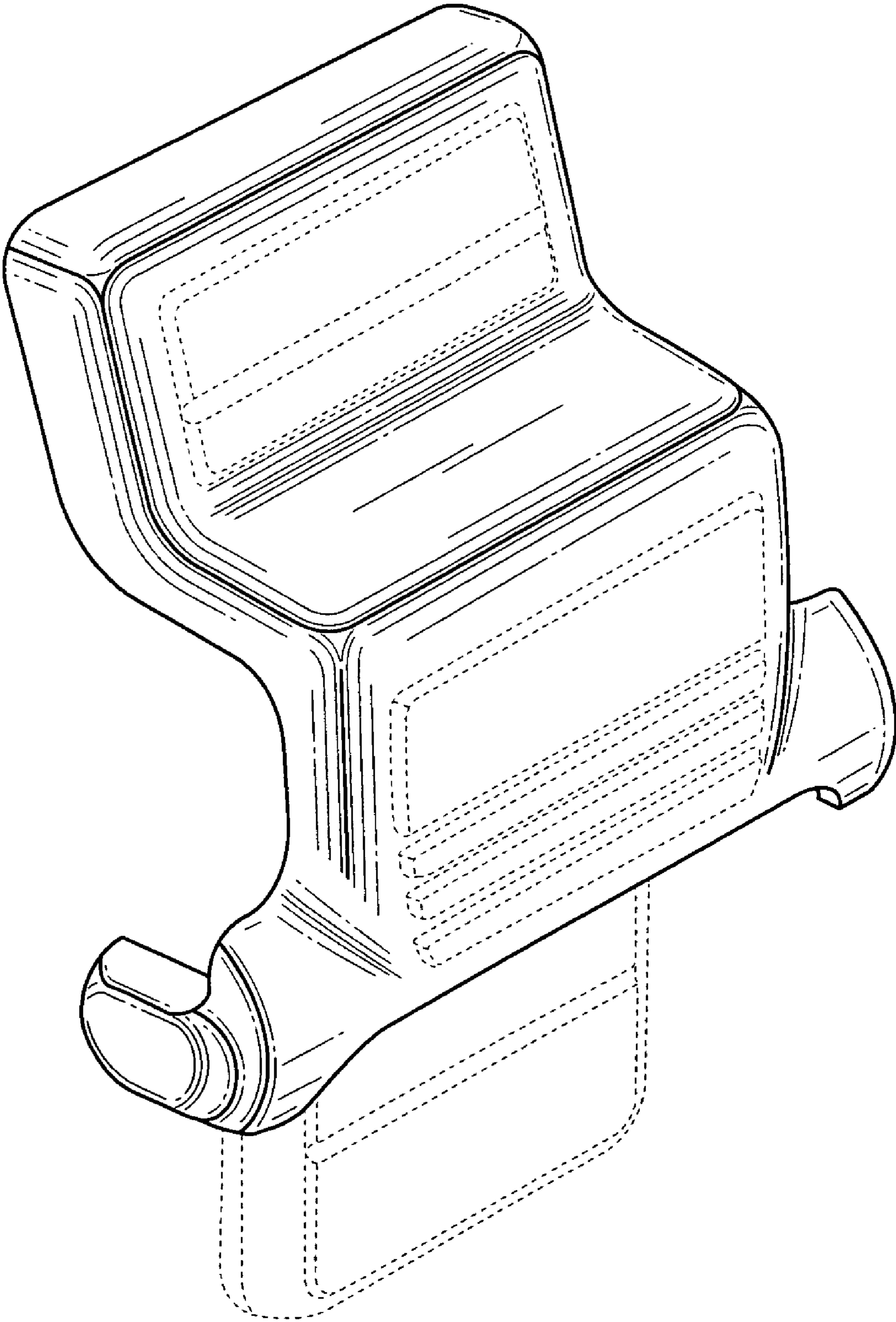


Fig. 1

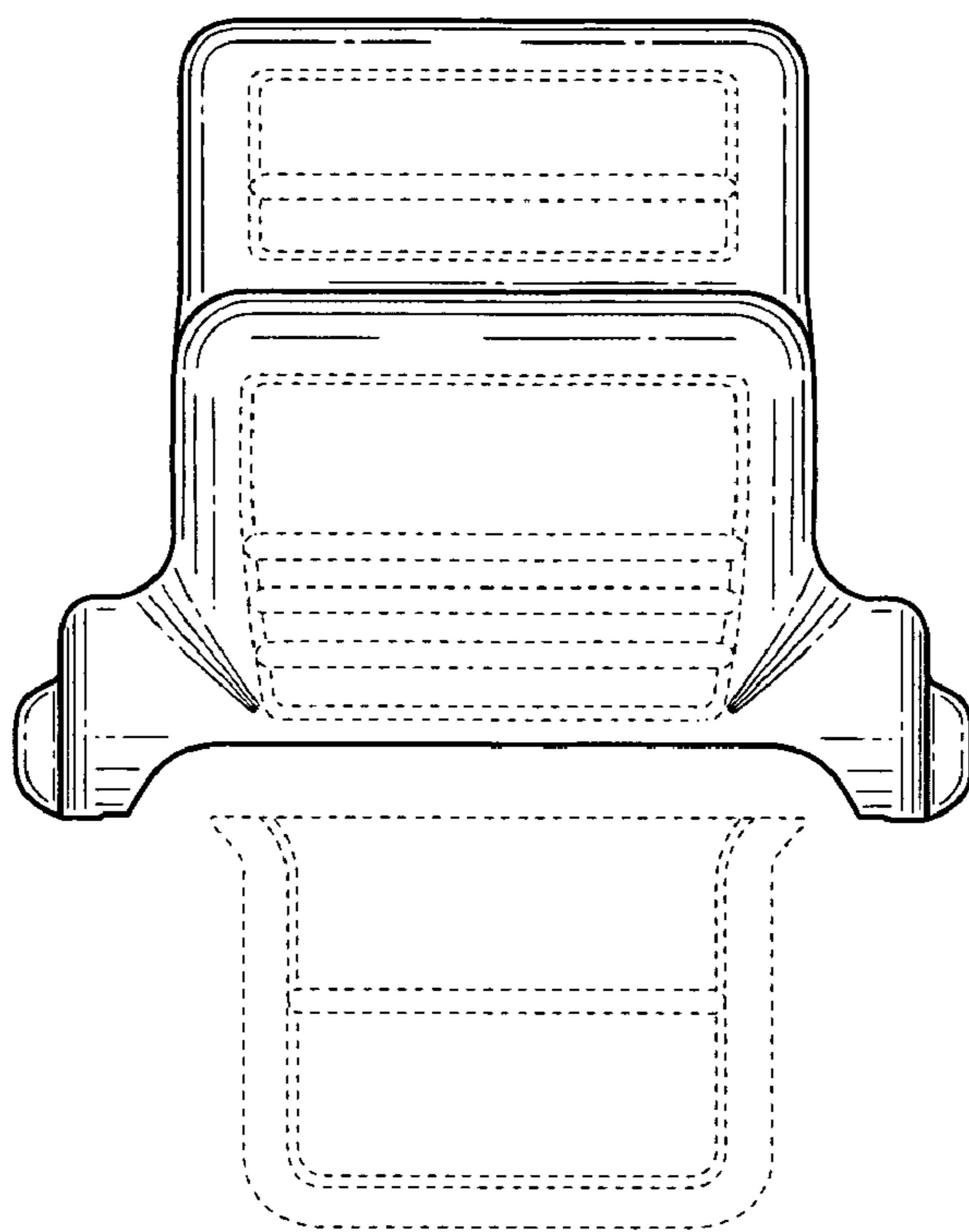


Fig. 2

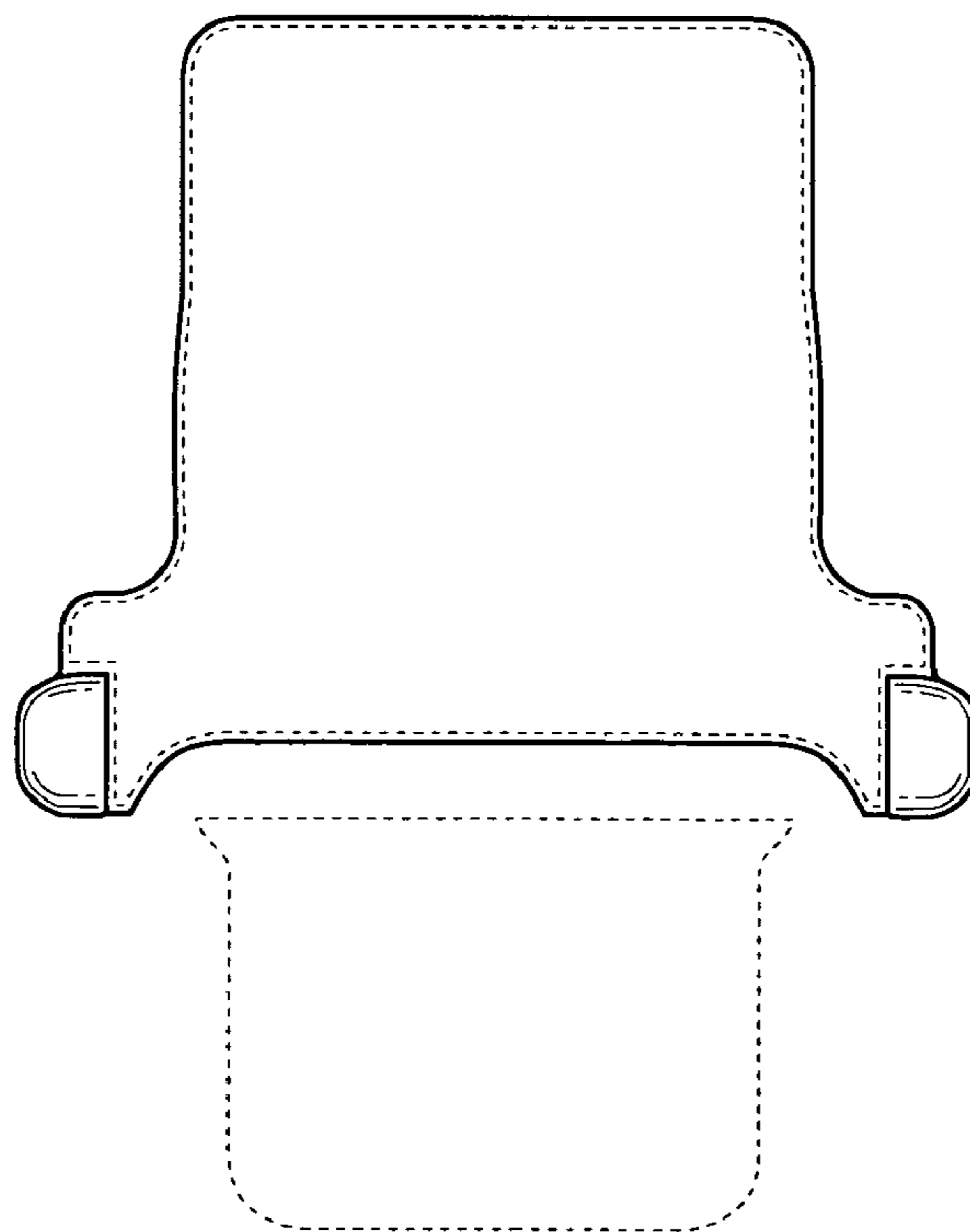


Fig. 3

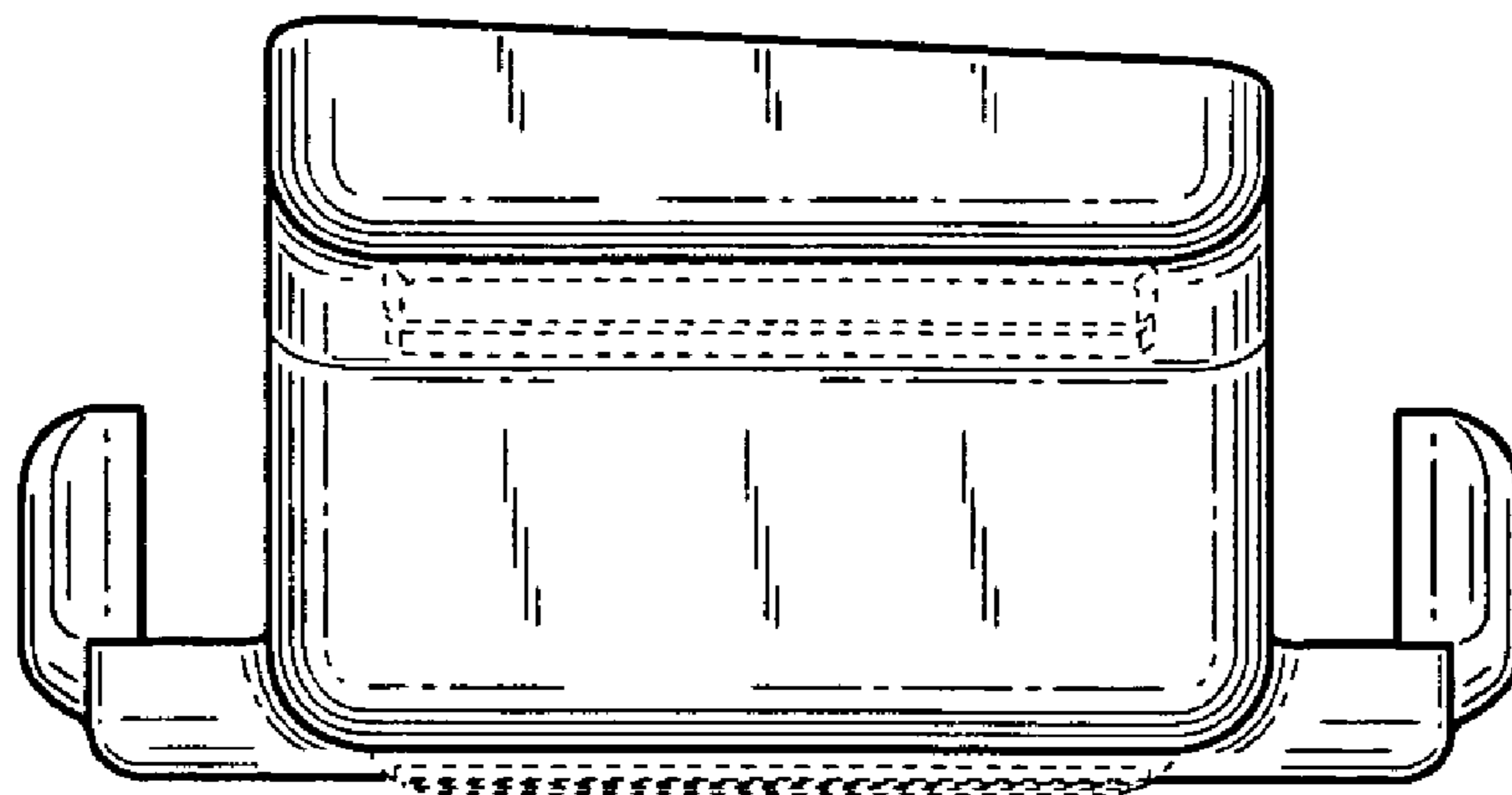


Fig. 4

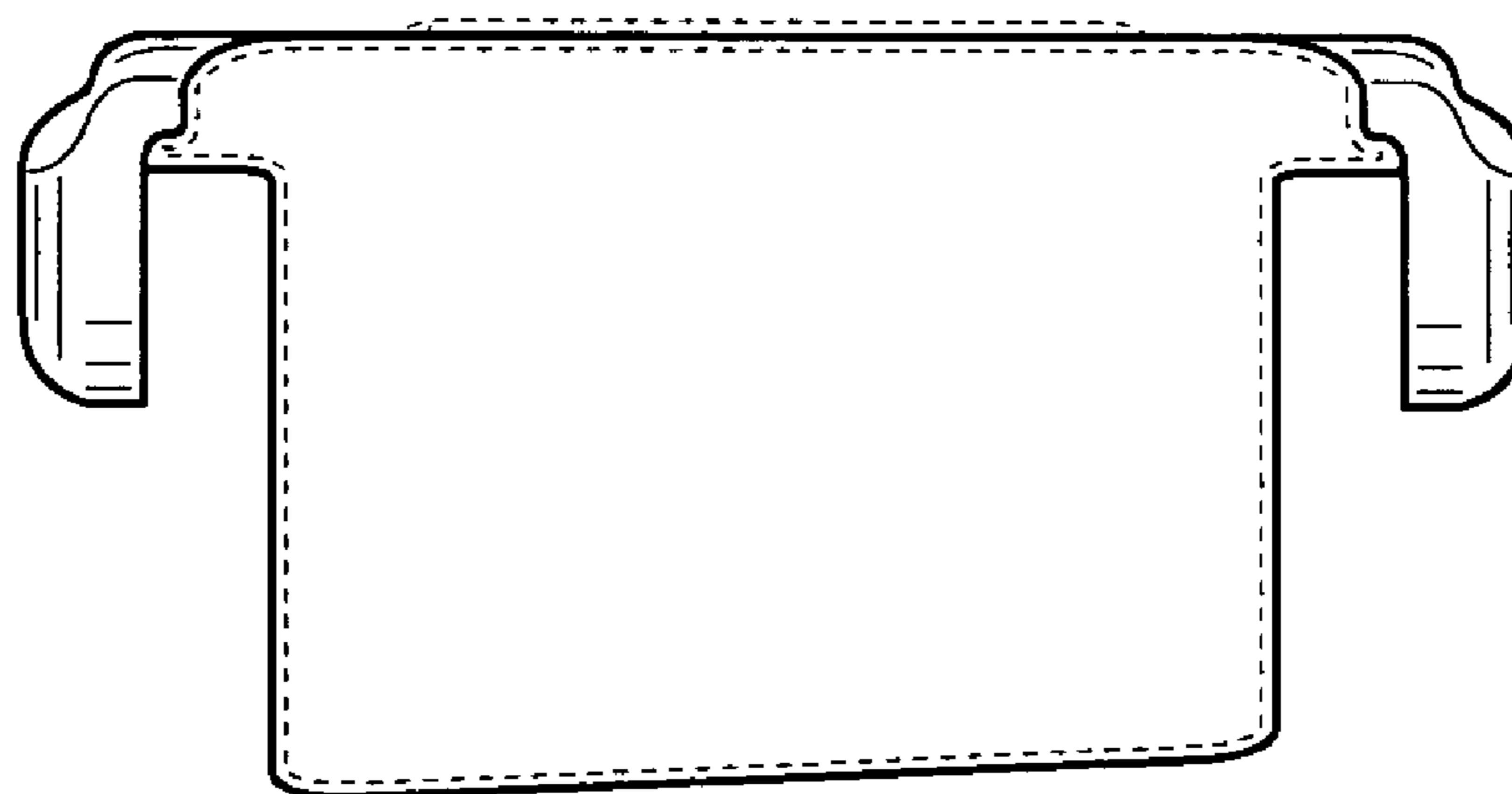


Fig. 5

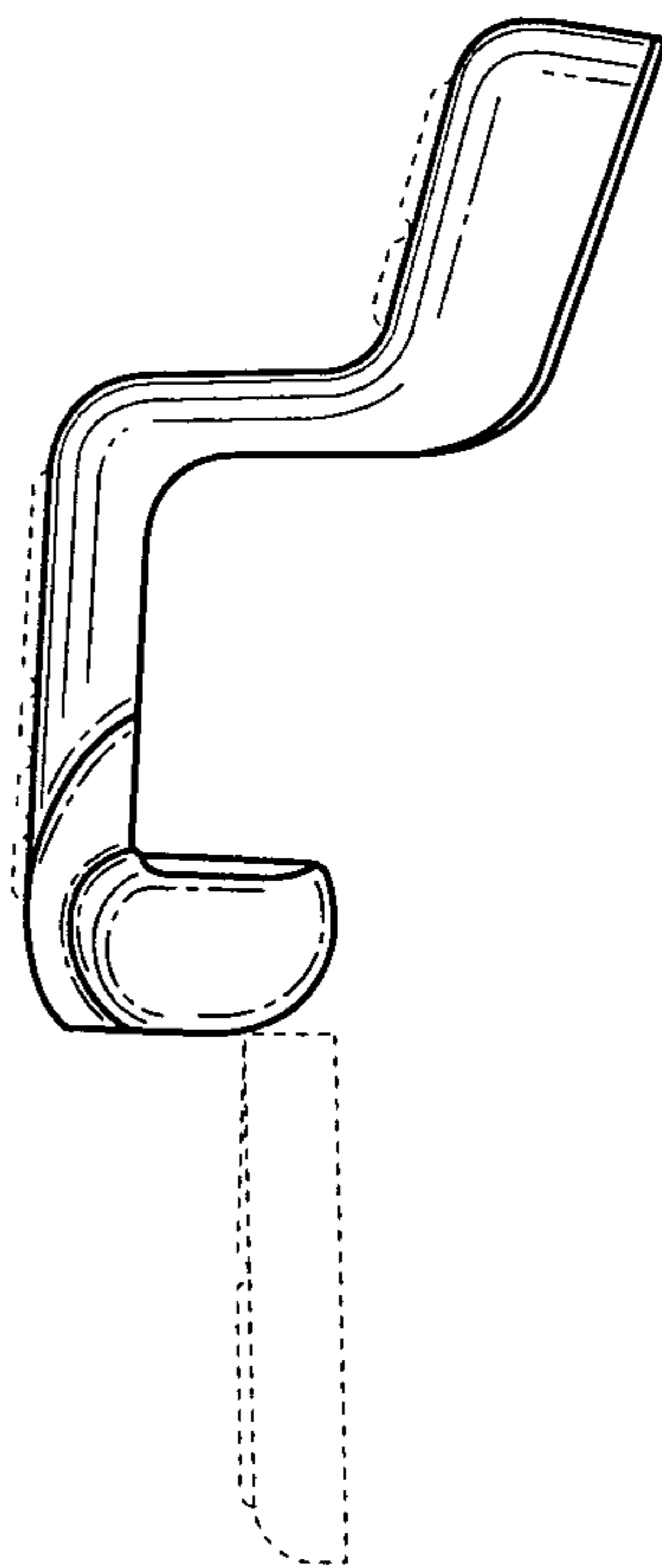


Fig. 6

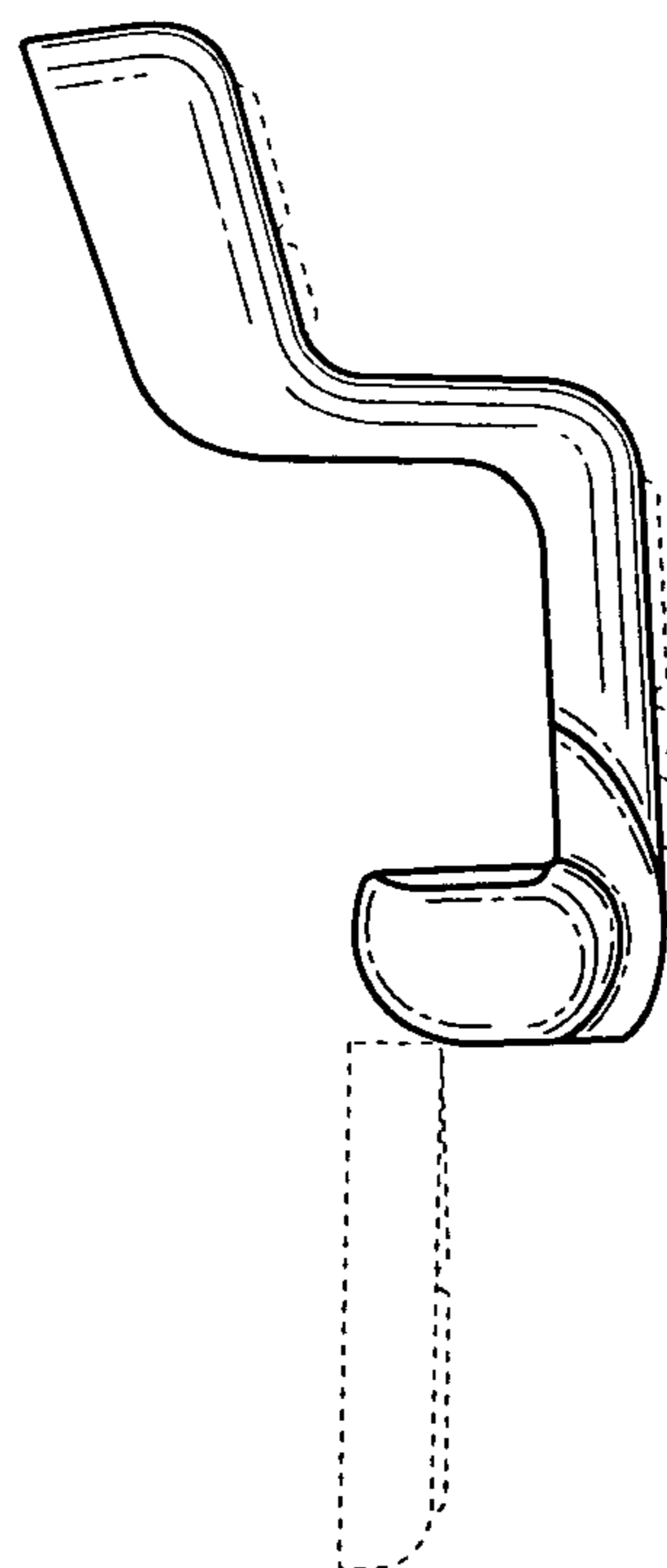


Fig. 7