



US00D627688S

(12) **United States Design Patent**
Lewis

(10) **Patent No.:** **US D627,688 S**

(45) **Date of Patent:** **** Nov. 23, 2010**

(54) **FLAT TOP SLEEPER CAP**

D540,219 S * 4/2007 Oka D12/96

(75) Inventor: **Arvil H. Lewis**, Tulsa, OK (US)

* cited by examiner

(73) Assignee: **Avcon, Inc.**, Tulsa, OK (US)

Primary Examiner—Melody N Brown

(74) *Attorney, Agent, or Firm*—Dunlap Codding, P.C.

(**) Term: **14 Years**

(57) **CLAIM**

(21) Appl. No.: **29/355,584**

The ornamental design for a flat top sleeper cap, as shown and described.

(22) Filed: **Feb. 10, 2010**

DESCRIPTION

(51) **LOC (9) Cl.** **12-16**

(52) **U.S. Cl.** **D12/96**

(58) **Field of Classification Search** D12/96,
D12/97, 98, 12, 90-92; 296/180.1-180.3,
296/181.1-185, 183, 183.1, 186, 186.1; 180/89.12,
180/89.1, 242, 449

FIG. 1 is a perspective view of a flat top sleeper cap showing a new design.

FIG. 2 is a front elevational view thereof.

FIG. 3 is a rear elevational view thereof.

FIGS. 4 and 5 are side elevational views thereof and wherein the right side and the left side elevational views are mirror images of each other.

FIG. 6 is a top plan view thereof; and,

FIG. 7 is a bottom plan view thereof.

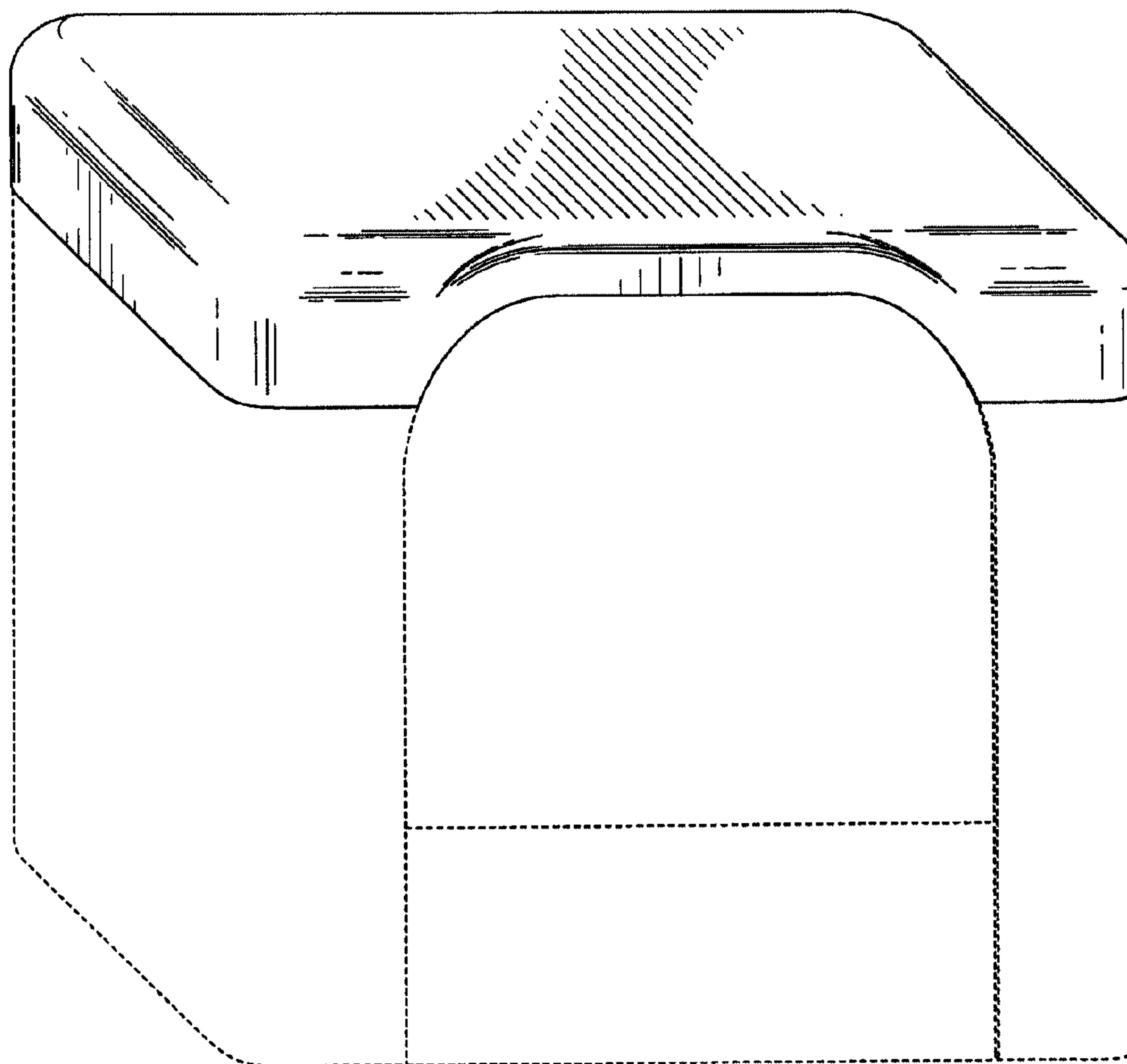
See application file for complete search history.

(56) **References Cited**

U.S. PATENT DOCUMENTS

- D431,499 S * 10/2000 Schwalbe D12/96
- D432,461 S * 10/2000 Schwalbe D12/96
- D442,890 S * 5/2001 Beigel D12/96

1 Claim, 5 Drawing Sheets



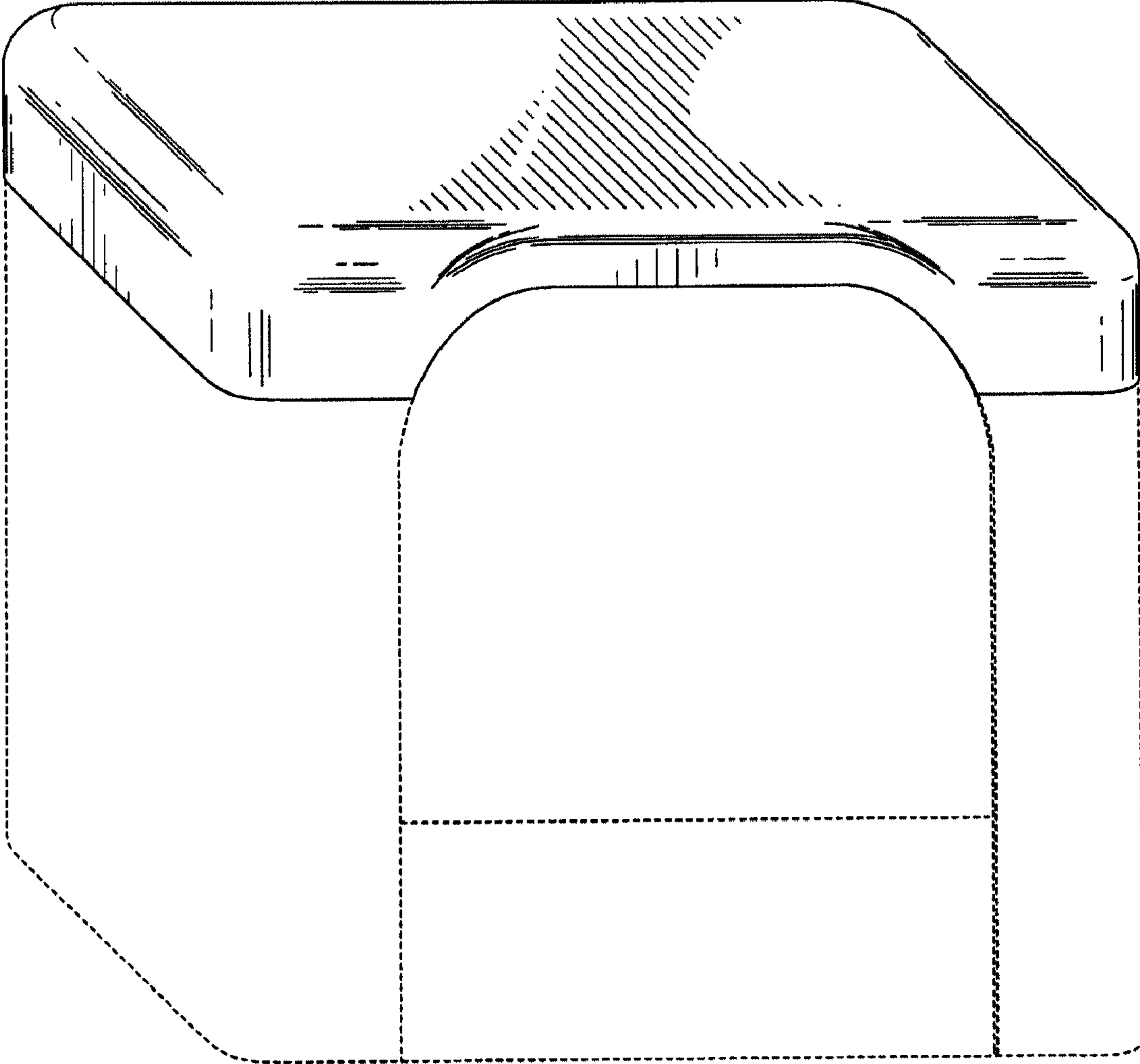


FIG. 1

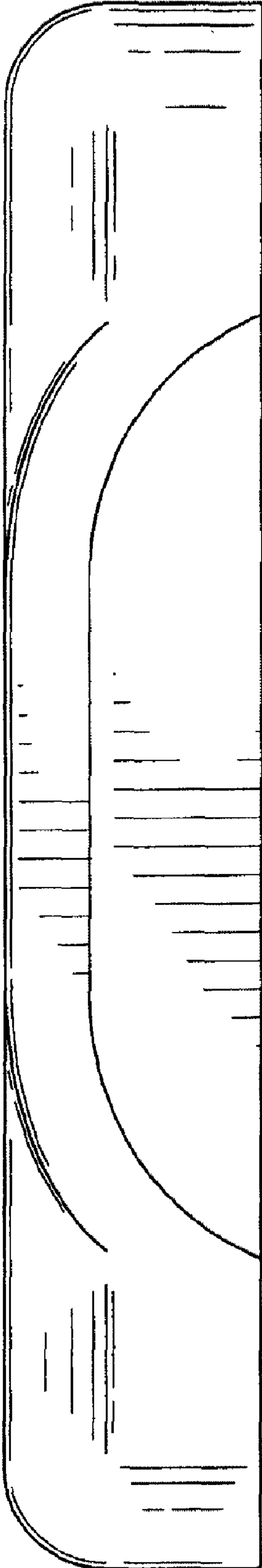


FIG. 2

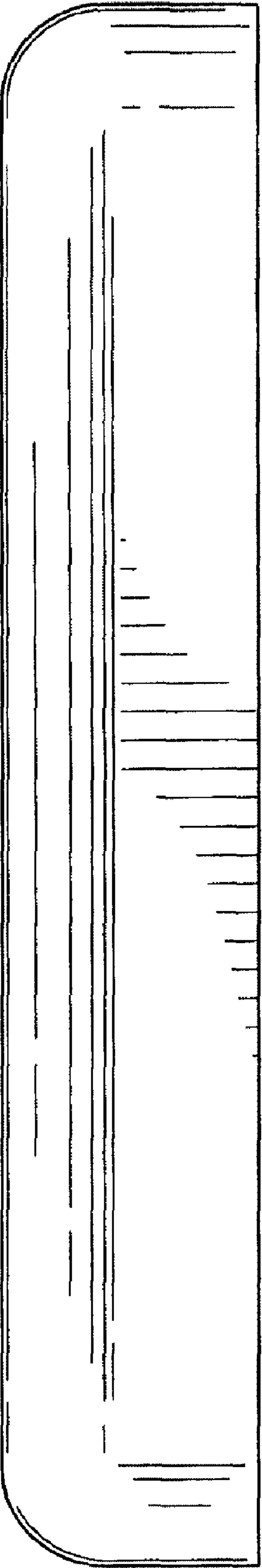


FIG. 3

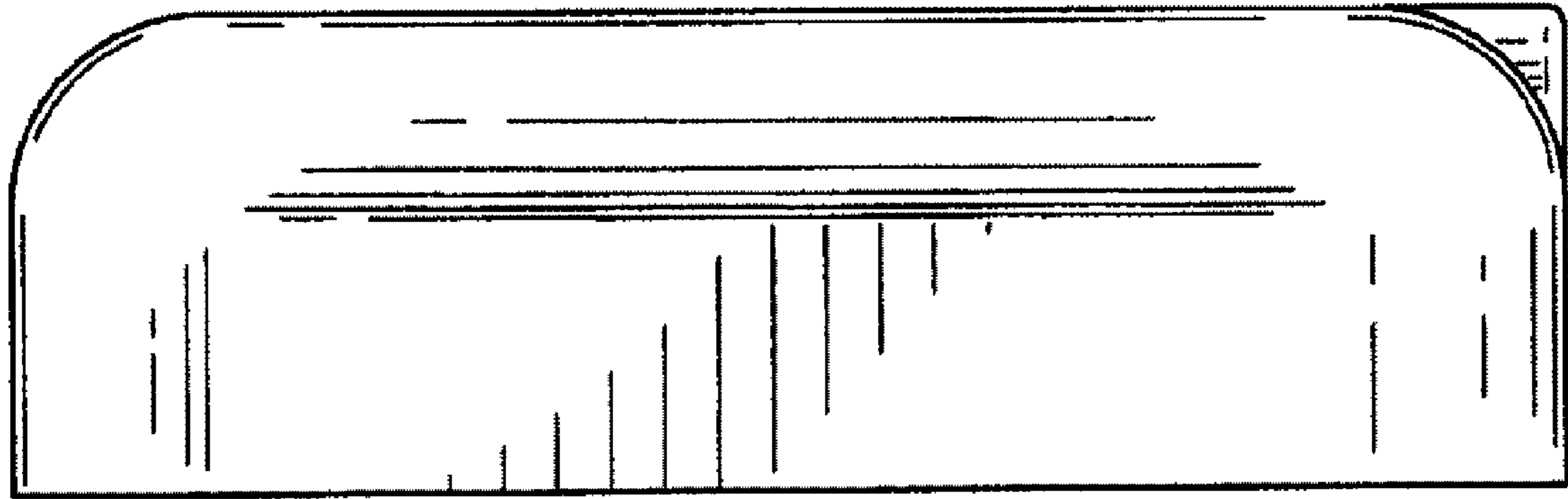


FIG. 4

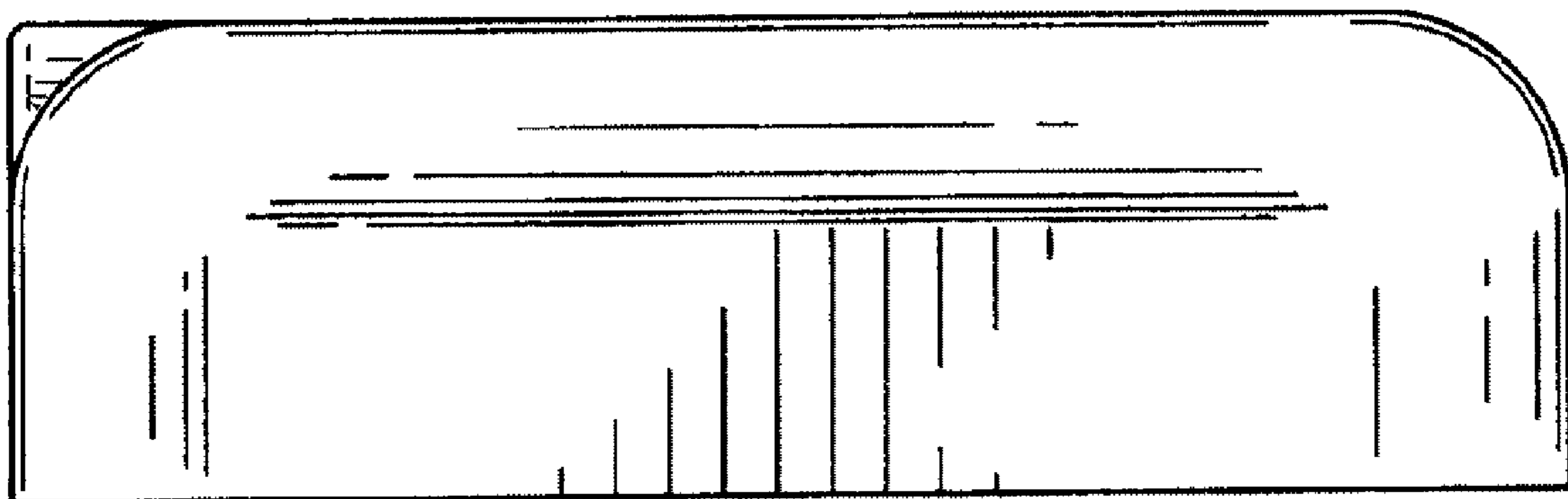


FIG. 5

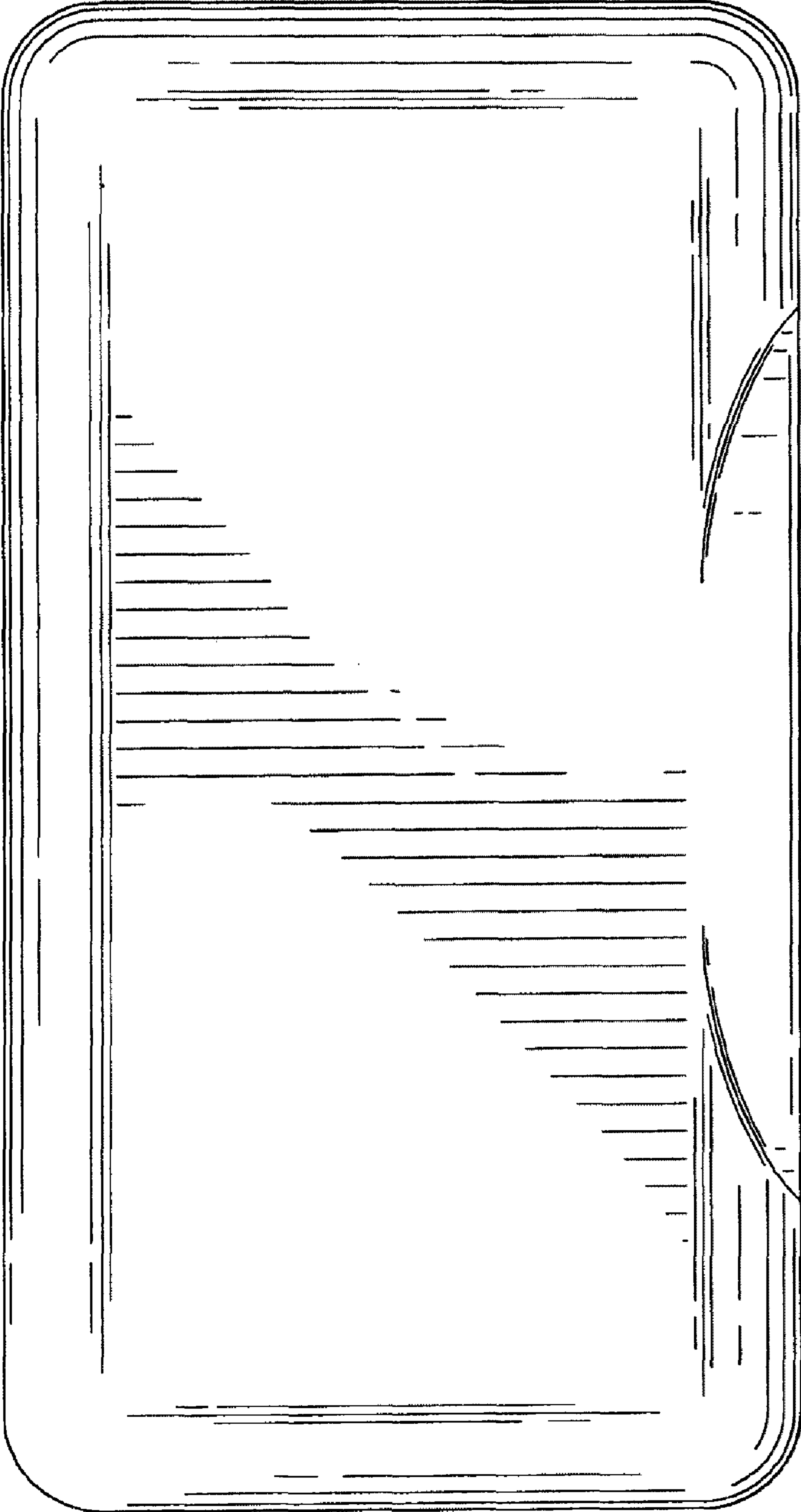


FIG. 6

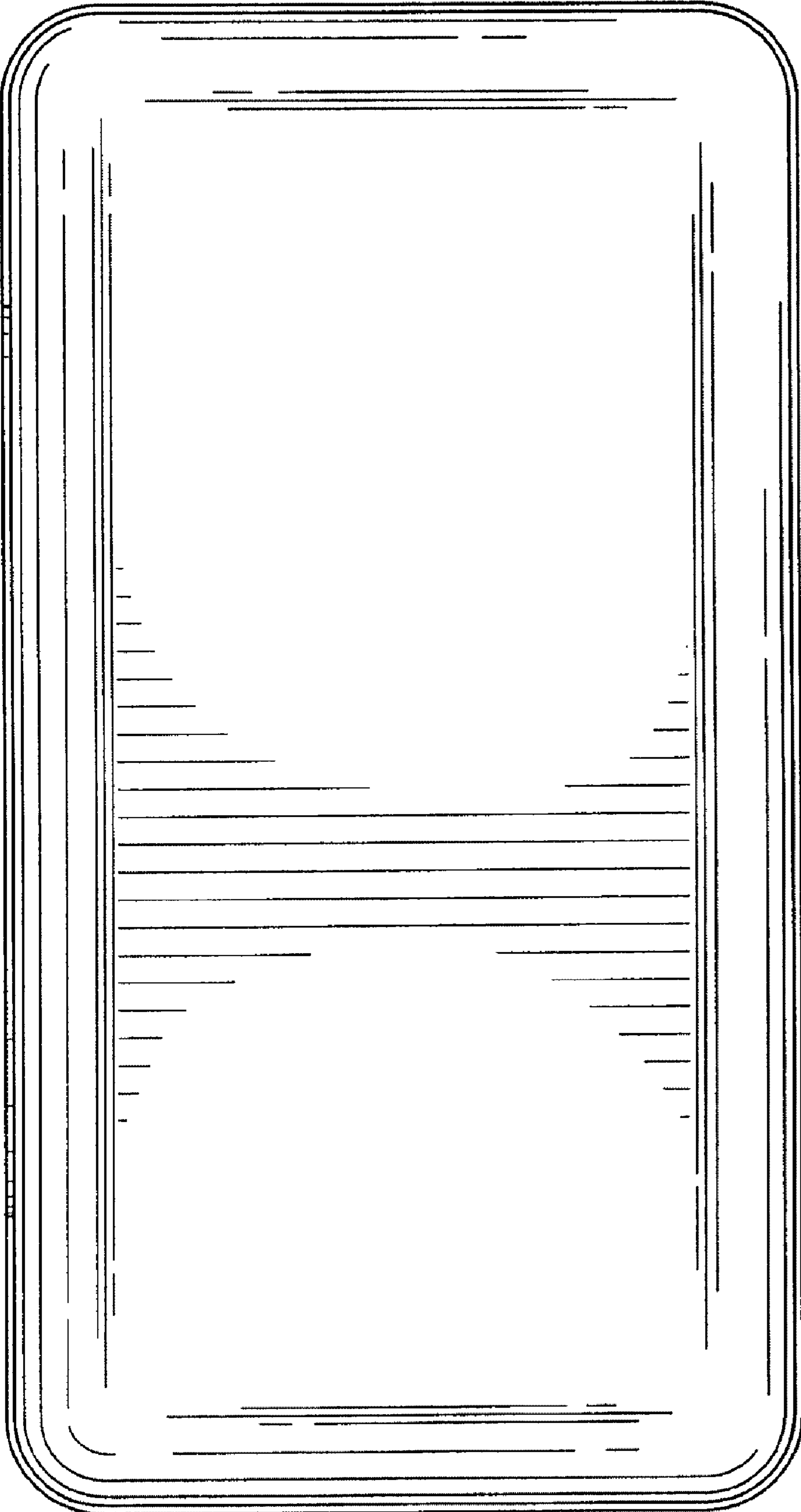


FIG. 7