



US00D627687S

(12) **United States Design Patent**
Lewis

(10) **Patent No.:** **US D627,687 S**
(45) **Date of Patent:** **** Nov. 23, 2010**

(54) **DAY CAB CONVERSION KIT FOR A TRUCK**

(75) Inventor: **Arvil H. Lewis**, Tulsa, OK (US)

(73) Assignee: **Avcon, Inc.**, Tulsa, OK (US)

(**) Term: **14 Years**

(21) Appl. No.: **29/339,680**

(22) Filed: **Jul. 6, 2009**

(51) **LOC (9) Cl.** **12-16**

(52) **U.S. Cl.** **D12/96; D12/190; D12/12;**
D12/16

(58) **Field of Classification Search** D12/96,
D12/97, 93, 190; 296/180.1–180.3, 181.1–185,
296/186, 186.1; 180/89.12, 89.1, 242, 449
See application file for complete search history.

(56) **References Cited**

U.S. PATENT DOCUMENTS

- D442,890 S * 5/2001 Beigel D12/96
- D467,525 S * 12/2002 Sarmiento D12/93
- D595,195 S * 6/2009 Fitzgerald D12/181

* cited by examiner

Primary Examiner—Melody N Brown
(74) *Attorney, Agent, or Firm*—Dunlap Codding, P.C.

(57) **CLAIM**

The ornamental design for a day cab conversion kit for a truck, as shown and described.

DESCRIPTION

FIG. 1 is a perspective view of a day cab conversion kit for a truck showing my new design, the broken line portions of the truck are for illustrative purposes only and form no part of the claimed design;

FIG. 2 is another perspective view thereof;

FIG. 3 is a front elevational view thereof;

FIG. 4 is a rear elevational view thereof;

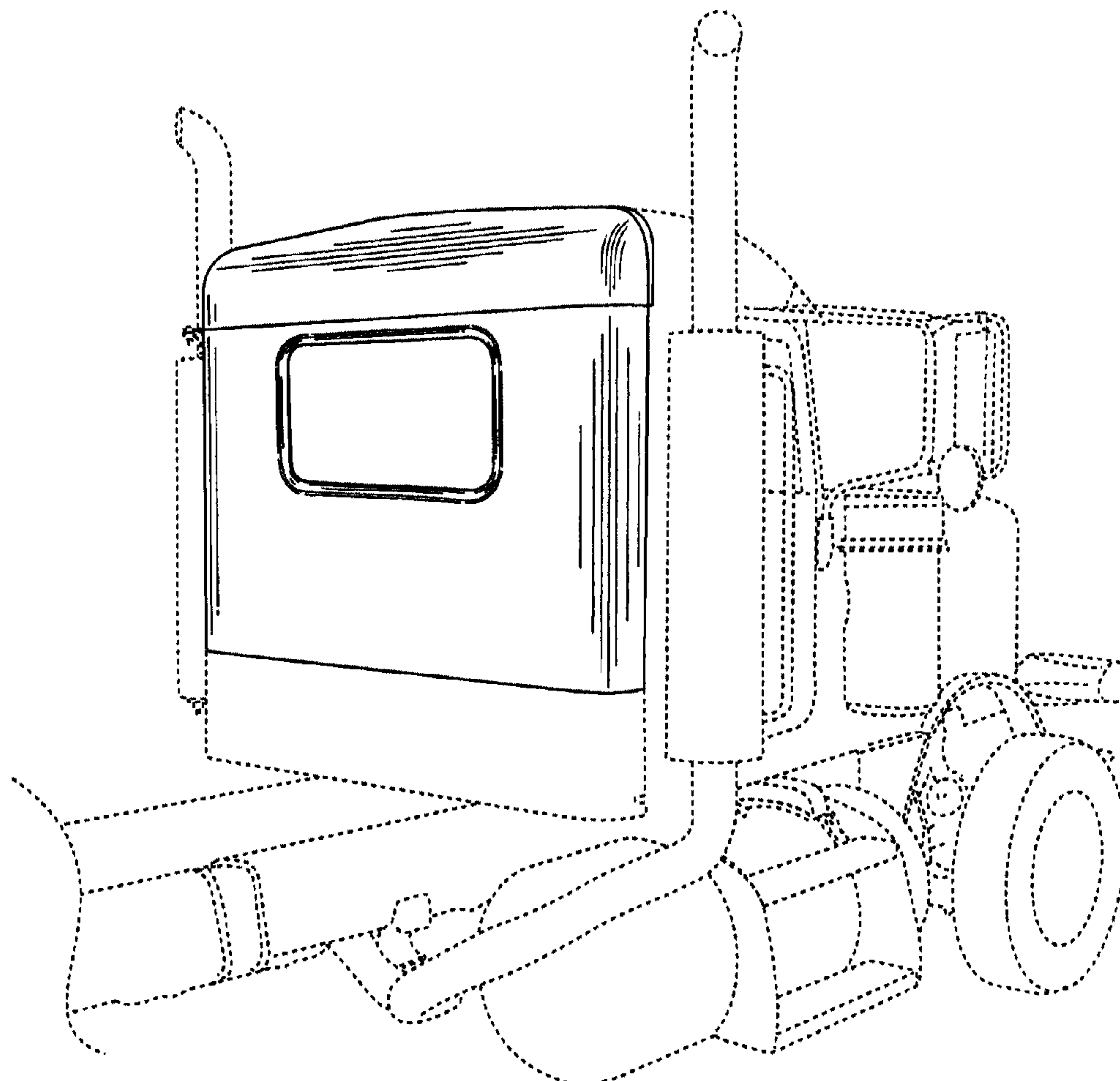
FIG. 5 is a right side elevational view thereof;

FIG. 6 is a left side elevational view thereof;

FIG. 7 is a top plan view thereof; and,

FIG. 8 is a bottom plan view thereof.

1 Claim, 7 Drawing Sheets



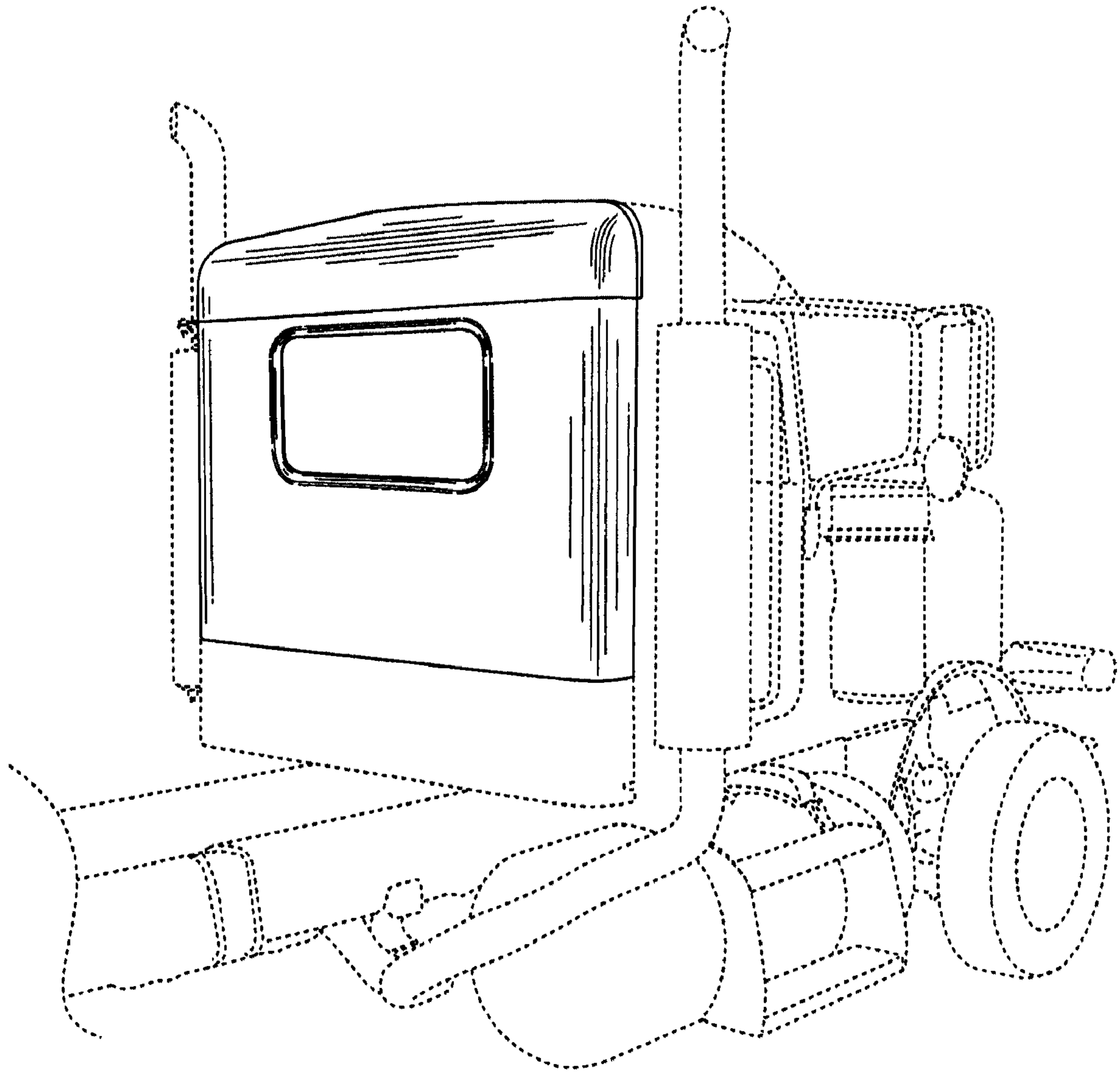


FIG. 1

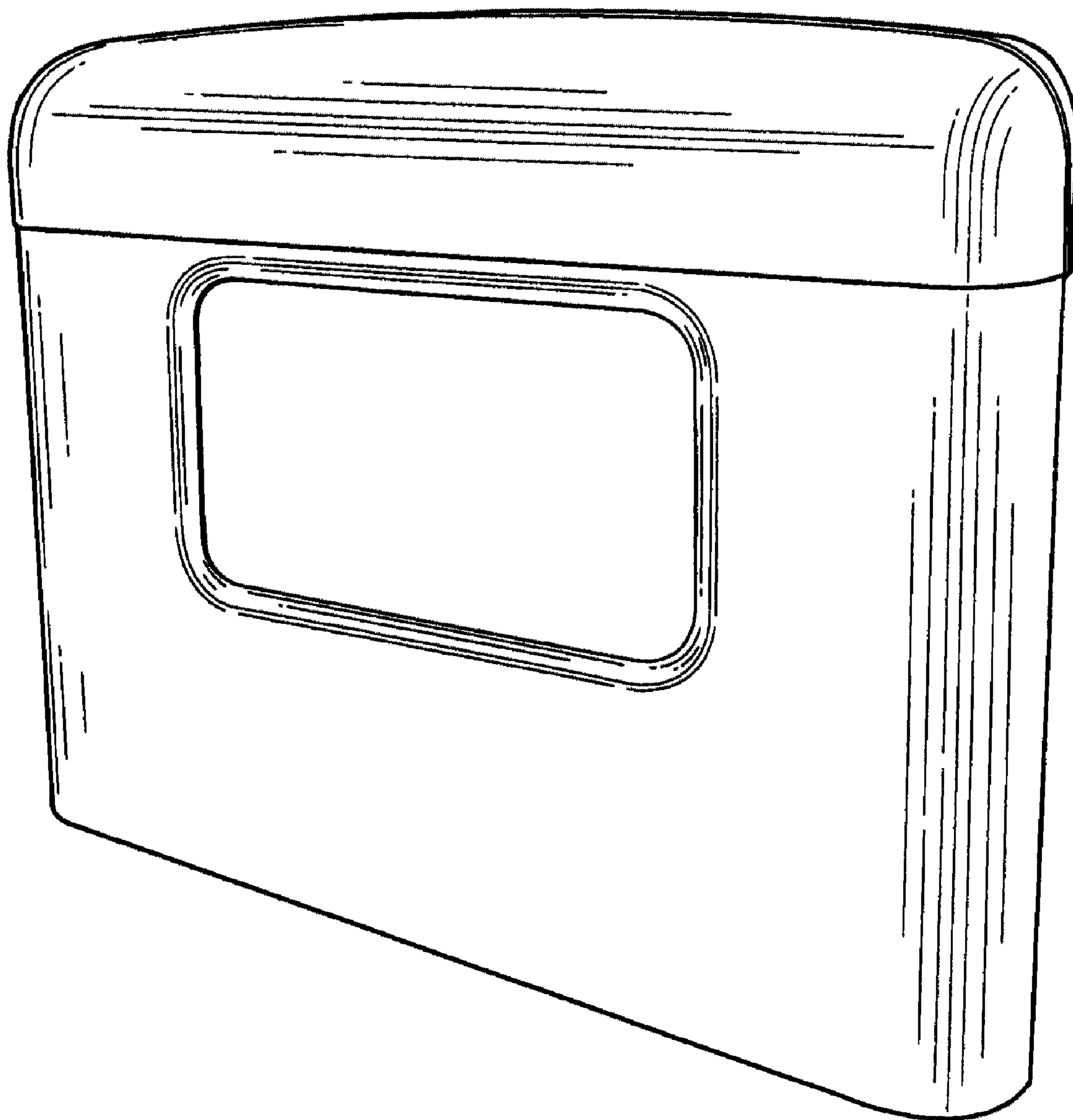


FIG. 2

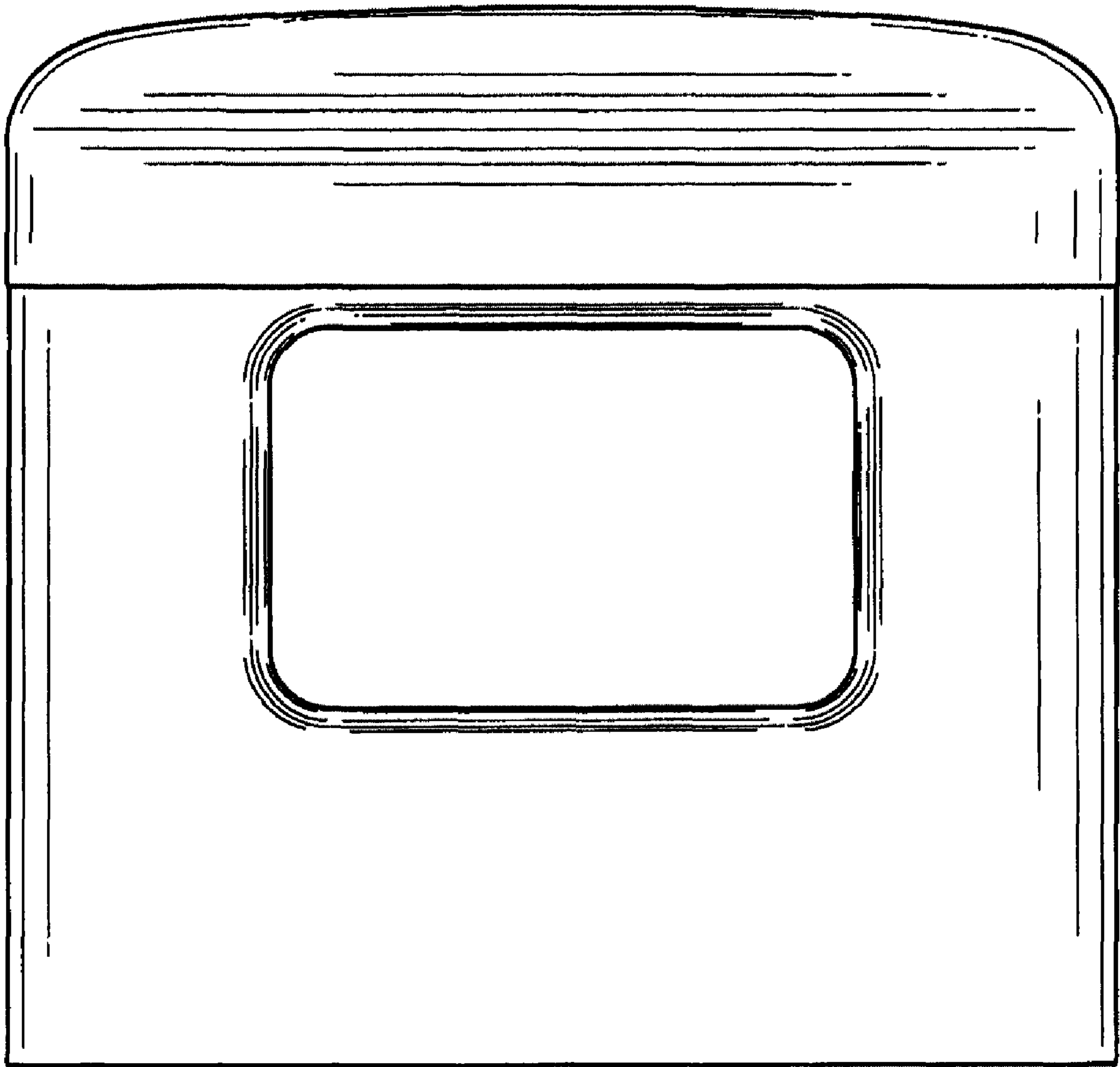


FIG. 3

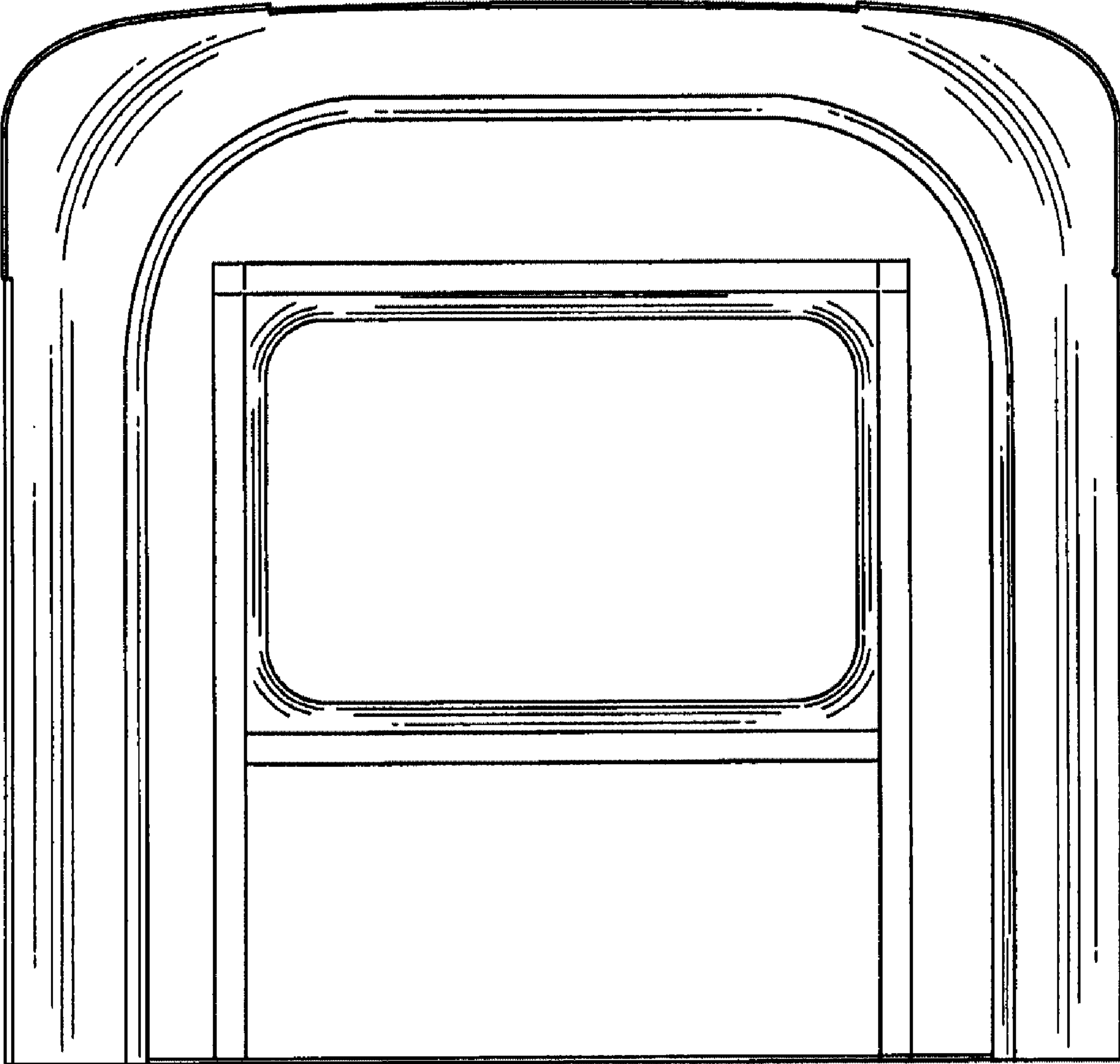


FIG. 4

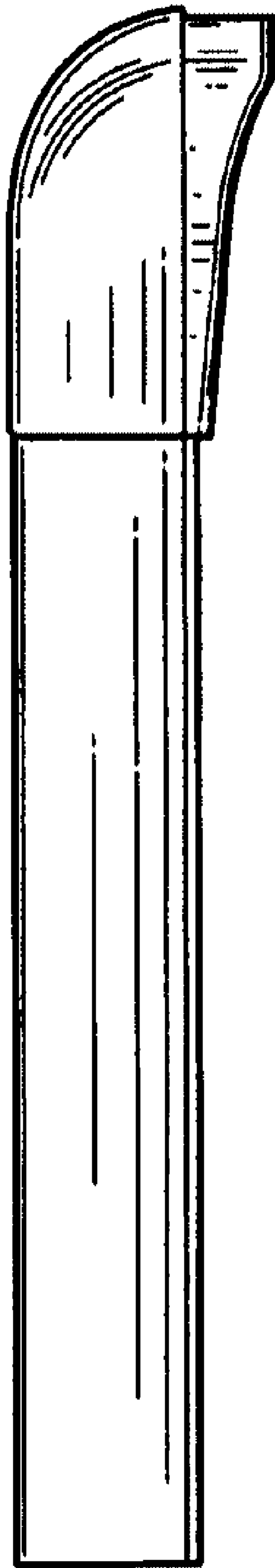


FIG. 5



FIG. 6

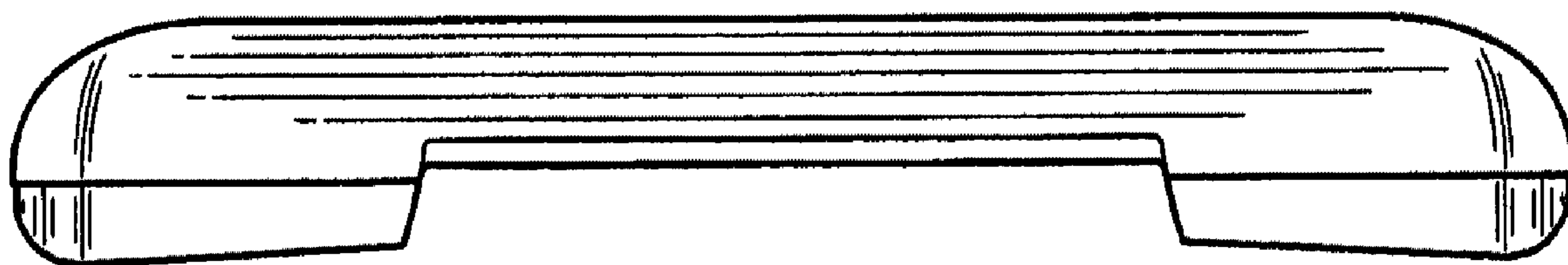


FIG. 7

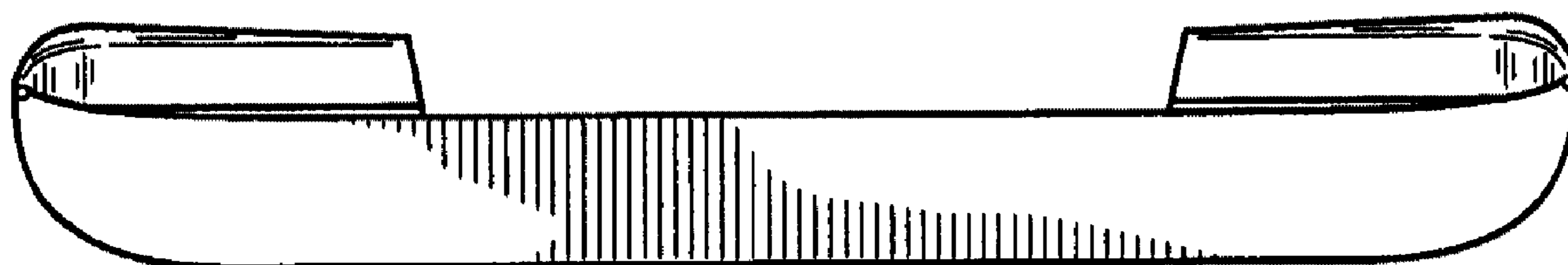


FIG. 8