



US00D627686S

(12) **United States Design Patent**
Thompson et al.

(10) **Patent No.:** **US D627,686 S**
(45) **Date of Patent:** **** Nov. 23, 2010**

(54) **VEHICLE BODY, TOY AND/OR REPLICA**

JP 1209185 6/2004
JP 1212997 S 8/2004

(75) Inventors: **Bryan Thompson**, San Diego, CA (US);
David Wong, San Diego, CA (US)

(73) Assignee: **Nissan Jidosha Kabushiki Kaisha**,
Kanagawa-Ku, Yokohama-Shi (JP)

(**) Term: **14 Years**

(21) Appl. No.: **29/348,690**

(22) Filed: **Jan. 27, 2010**

(30) **Foreign Application Priority Data**

Jul. 28, 2009 (JP) 2009-017102

(51) **LOC (9) Cl.** **12-08**

(52) **U.S. Cl.** **D12/91**

(58) **Field of Classification Search** D12/86,
D12/90-92, 88; D21/424, 433, 434; 296/181.1,
296/181.5

See application file for complete search history.

(56) **References Cited**

U.S. PATENT DOCUMENTS

D499,987 S	12/2004	Yanase et al.	
D501,428 S	2/2005	Takahashi et al.	
D505,095 S	5/2005	Frye	
D539,190 S	3/2007	Brown et al.	
D555,539 S	11/2007	Pfeiffer	
D565,478 S	4/2008	Abe	
D582,313 S *	12/2008	Schell	D12/92
D584,191 S *	1/2009	Hall et al.	D12/92
D592,111 S	5/2009	Janik et al.	
D602,820 S	10/2009	Yukawa et al.	
D607,379 S *	1/2010	Inukai et al.	D12/92
D609,608 S *	2/2010	Boniface et al.	D12/92
D610,040 S	2/2010	Thompson et al.	
D611,388 S *	3/2010	Hogios et al.	D12/92
D619,932 S *	7/2010	Yi	D12/92

FOREIGN PATENT DOCUMENTS

JP 1146815 7/2002

OTHER PUBLICATIONS

U.S. Trademark Registration No. 3,612,436; Registration Date: Apr. 28, 2009; Owner: Nissan Jidosha Kabushiki Kaisha, d/b/a Nissan Motor Co., Ltd.

U.S. Trademark Registration No. 689,797; Registration Date: Dec. 15, 1959; Owner: Nissan Jidosha Kabushiki Kaisha, d/b/a Nissan Motor Co., Ltd.

(Continued)

Primary Examiner—Melody N Brown

(74) *Attorney, Agent, or Firm*—Fross Zelnick Lehrman & Zissu, P.C.; Lawrence E. Apolzon, Esq.

(57) **CLAIM**

The ornamental design for a vehicle body, toy and/or replica, as shown and described.

DESCRIPTION

FIG. 1 is a perspective view of the front, right side and top plan of a vehicle body, toy and/or replica showing our new design;

FIG. 2 is a perspective view of the rear, left side and top plan thereof;

FIG. 3 is a front view thereof;

FIG. 4 is a rear view thereof;

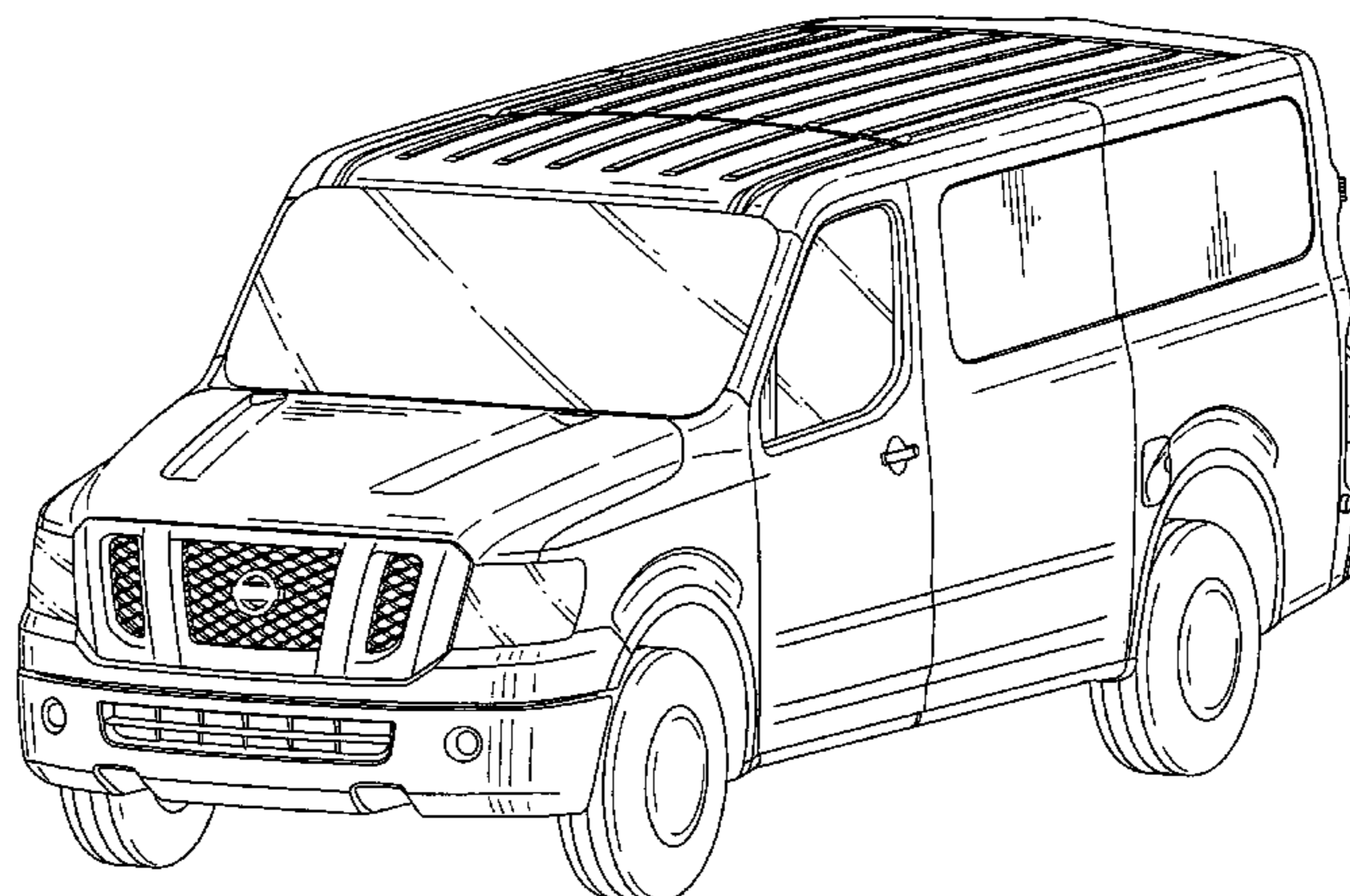
FIG. 5 is a left side view thereof;

FIG. 6 is a right side view thereof;

FIG. 7 is a top plan view thereof; and,

FIG. 8 is a bottom view thereof.

1 Claim, 7 Drawing Sheets



OTHER PUBLICATIONS

U.S. Trademark Registration No. 1,914,770; Registration Date: Aug. 29, 1995; Owner: Nissan Jidosha Kabushiki Kaisha, d/b/a Nissan Motor Co., Ltd.

U.S. Trademark Registration No. 2,697,209; Registration Date: Mar. 18, 2003; Owner: Nissan Jidosha Kabushiki Kaisha, d/b/a Nissan Motor Co., Ltd.

U.S. Trademark Registration No. 2,203,744; Registration Date: Nov. 17, 1998; Owner: Nissan Jidosha Kabushiki Kaisha, d/b/a Nissan Motor Co., Ltd.

U.S. Appl. No. 29/348,201, filed Dec. 9, 2009; first named inventor: Taisuke Nakamura et al.

U.S. Appl. No. 29/316,233, filed Sep. 3, 2009; first named inventor: Gou Kasai et al.

* cited by examiner

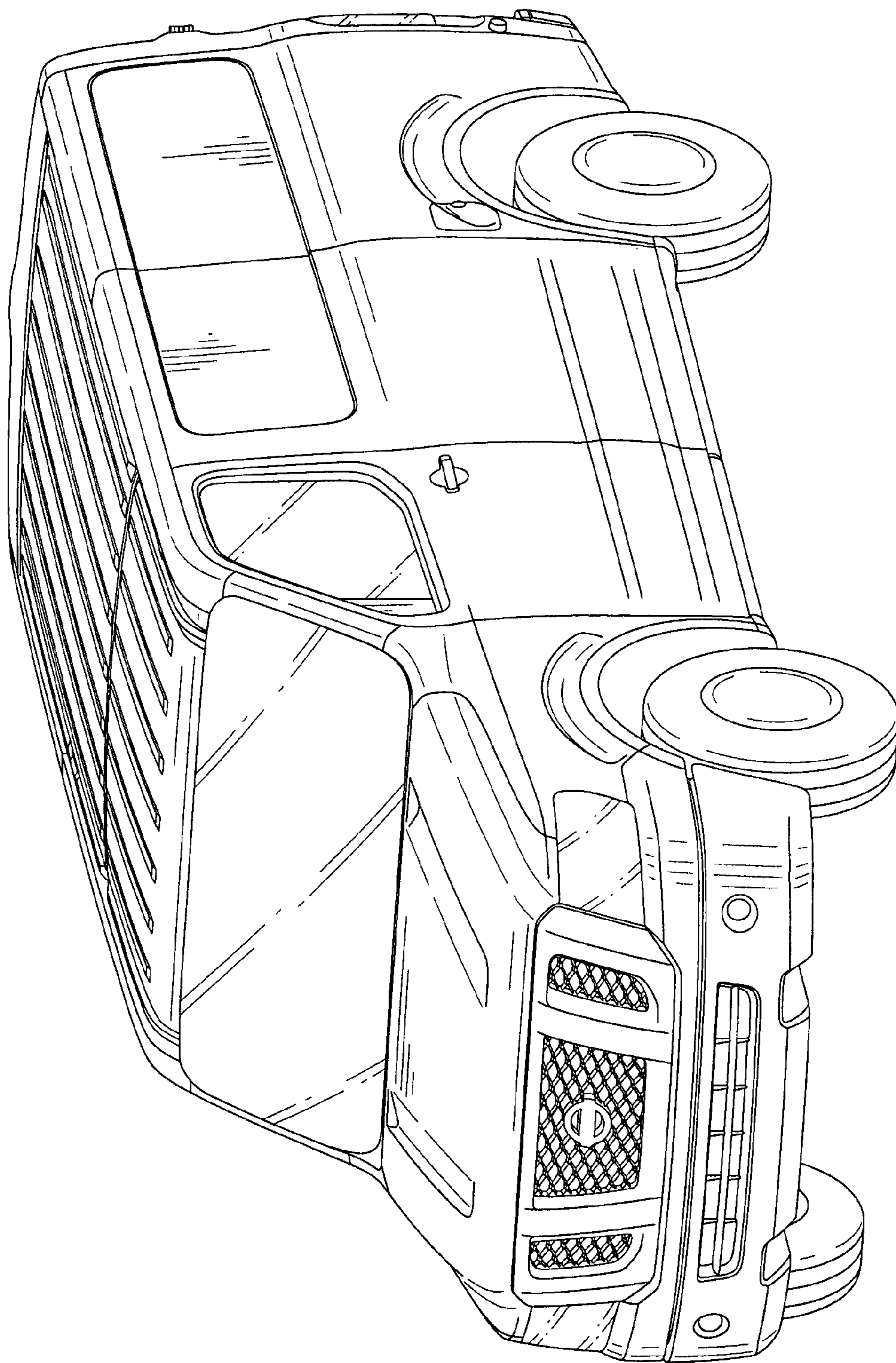


FIG. 1

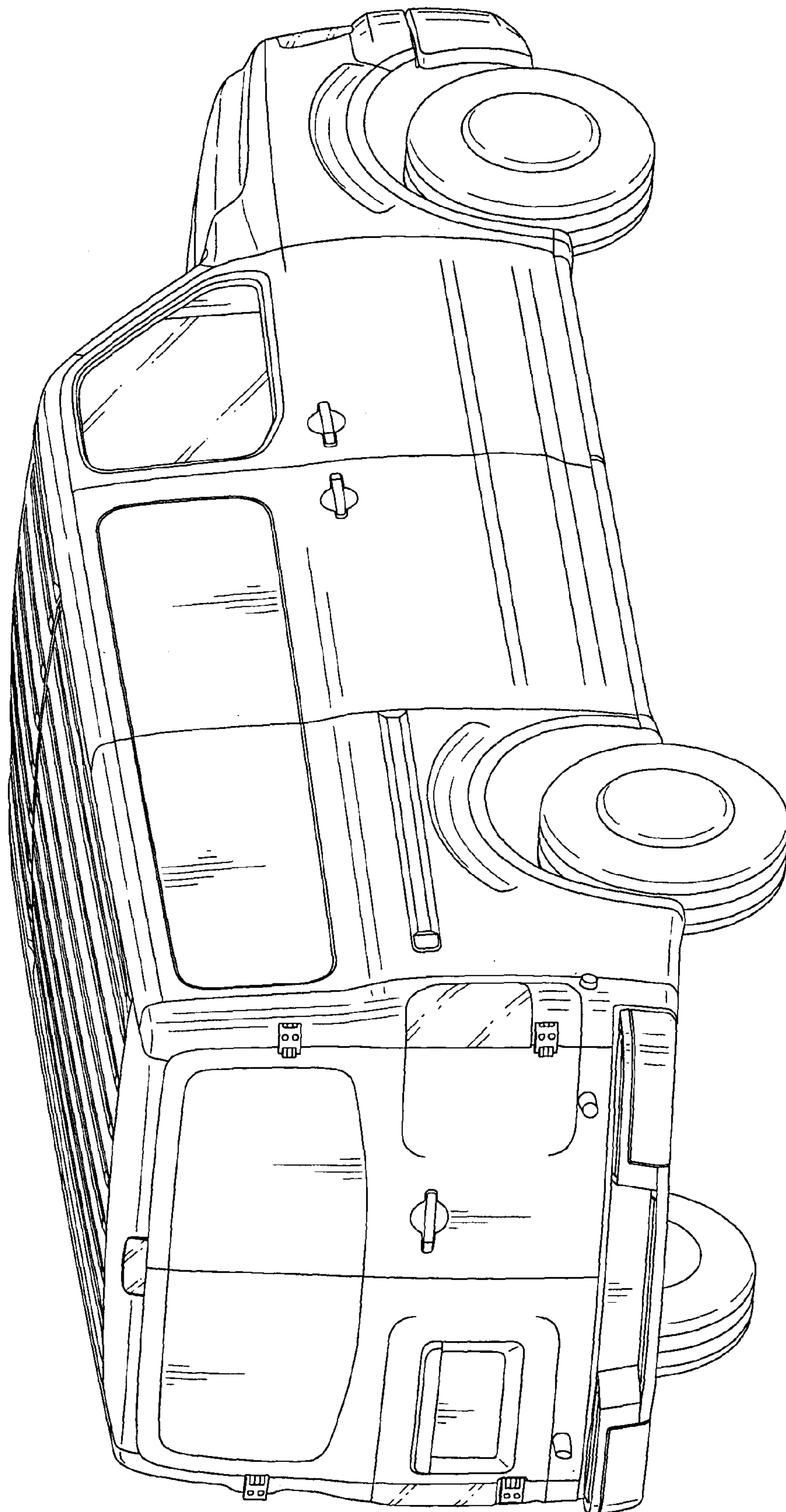


FIG. 2

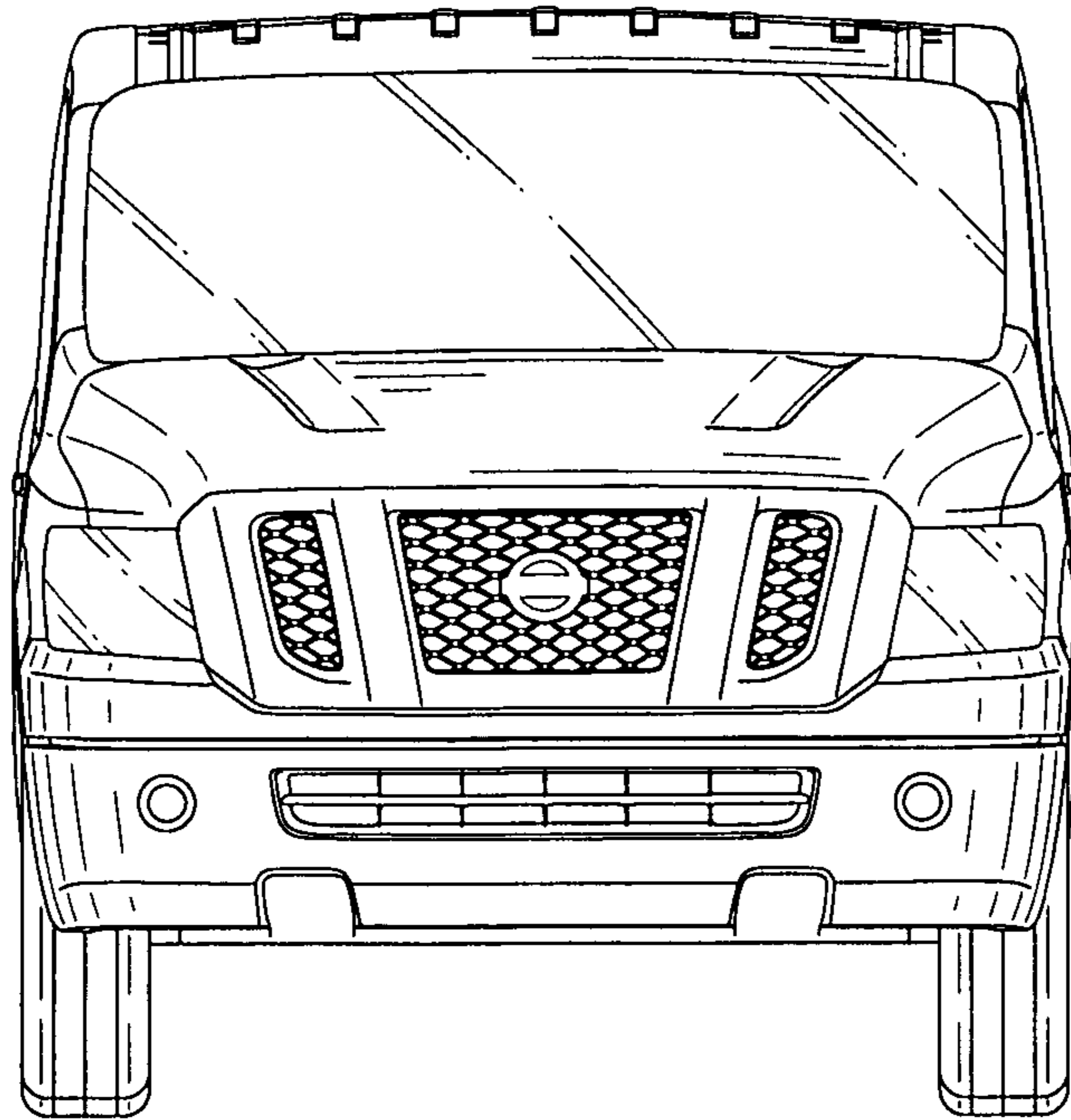


FIG. 3

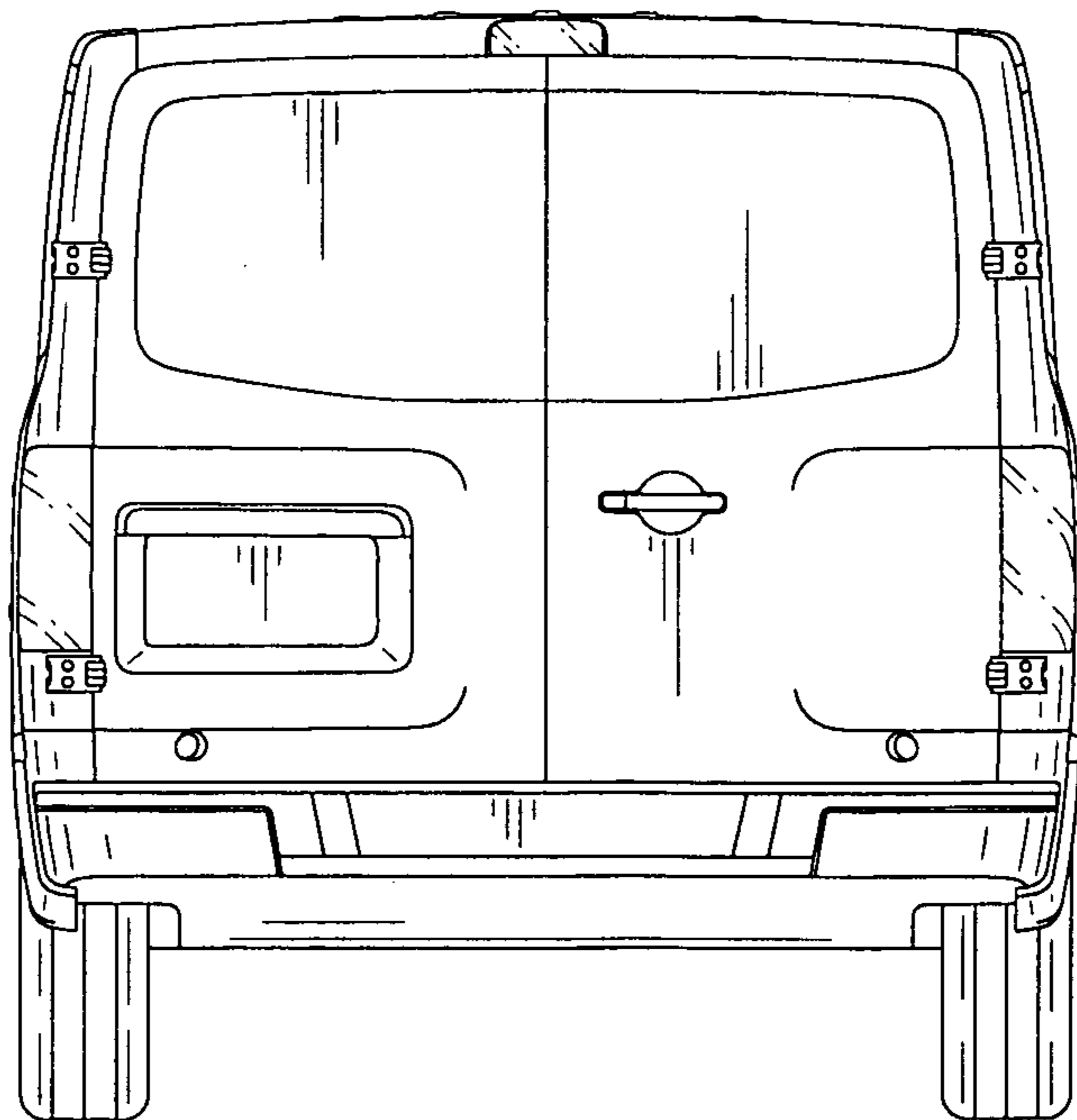


FIG. 4

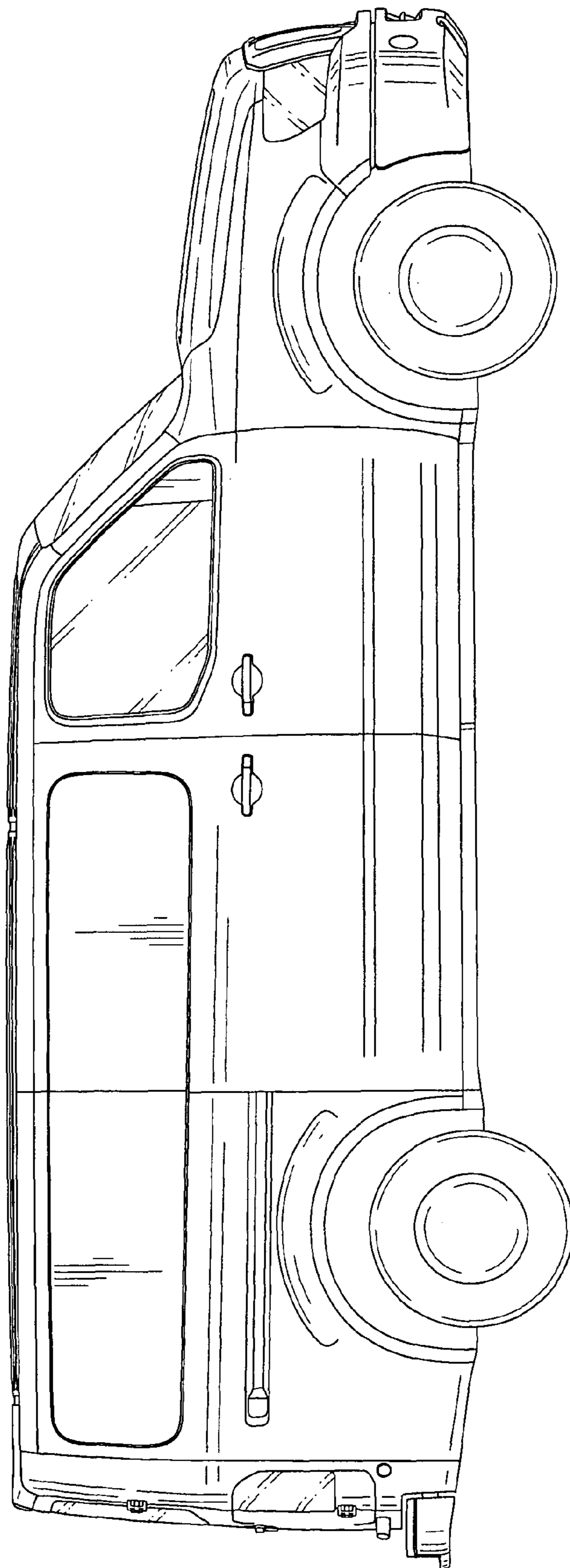


FIG. 5

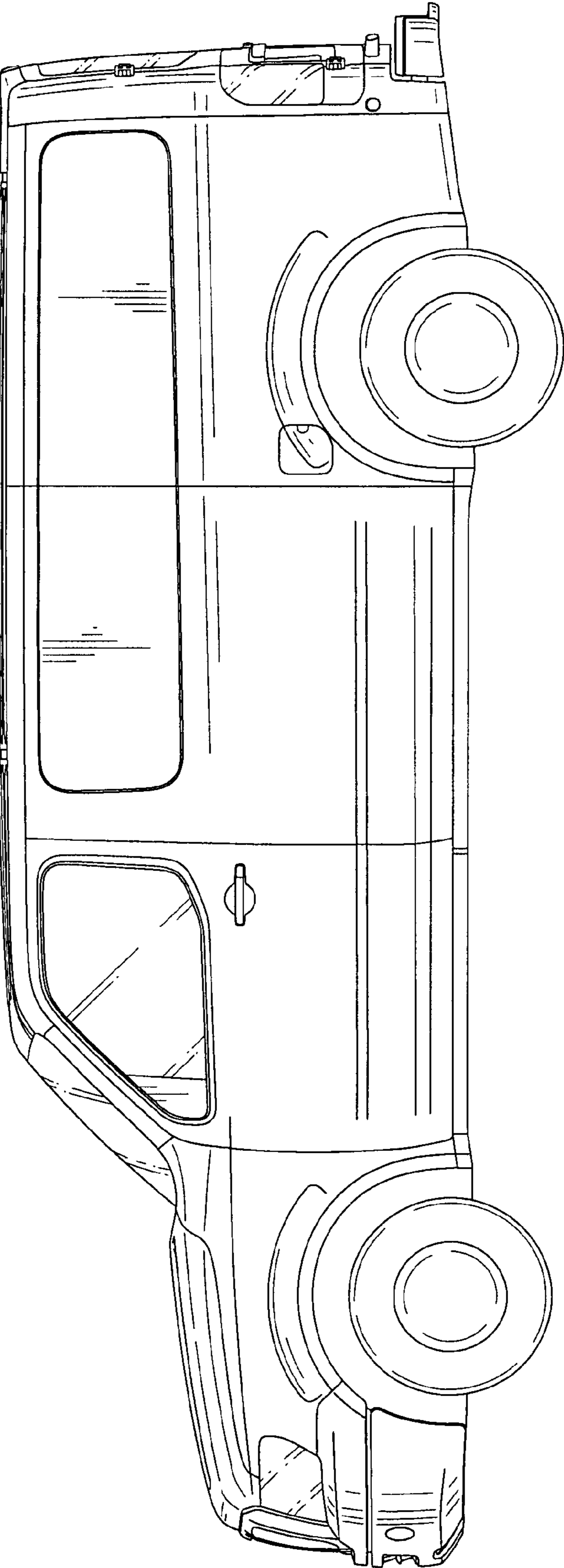


FIG. 6

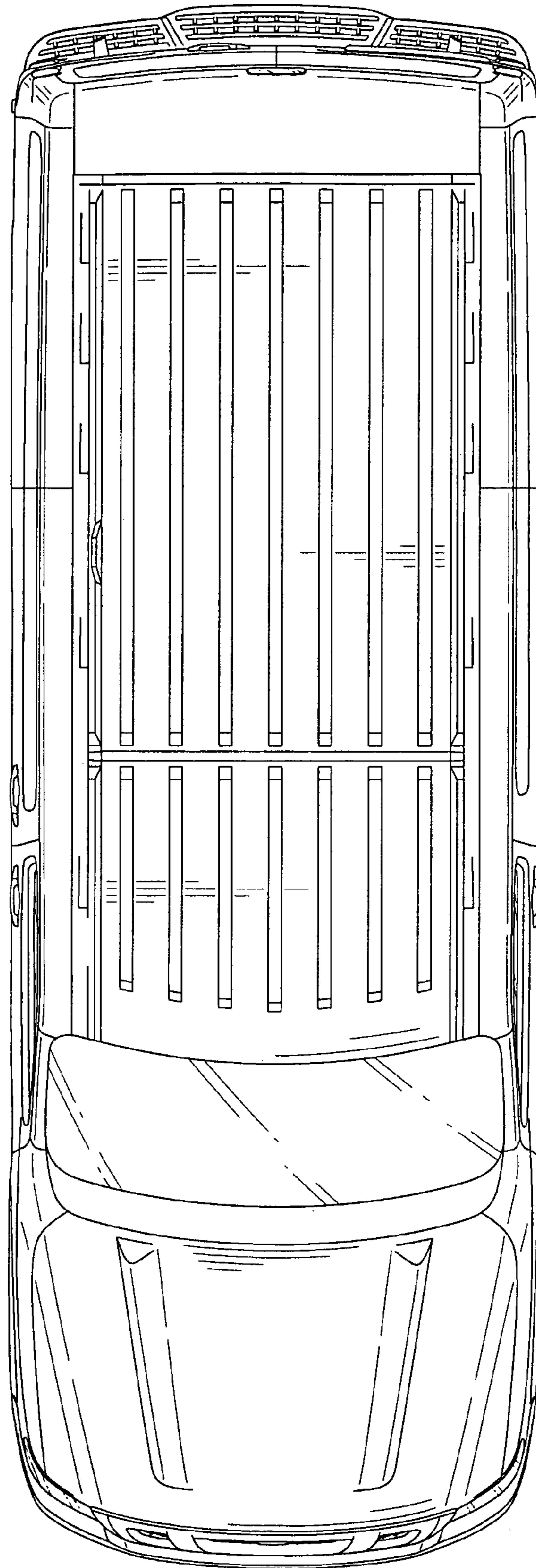


FIG. 7

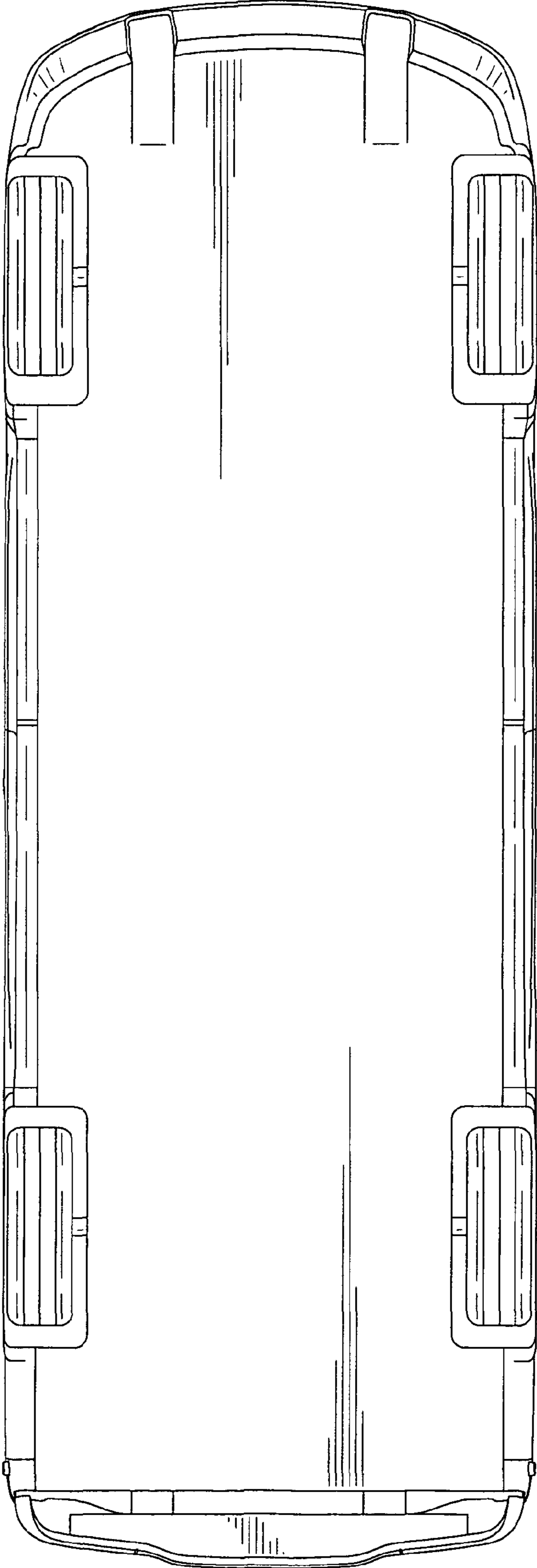


FIG. 8