



US00D627685S

(12) **United States Design Patent**
Liu et al.

(10) **Patent No.:** **US D627,685 S**
(45) **Date of Patent:** **** Nov. 23, 2010**

(54) **FRONT PANEL FOR AN ELECTRIC HUNTING VEHICLE**

D579,821 S * 11/2008 Bobbitt et al. D12/14
D591,643 S * 5/2009 Tuo D12/16
D595,613 S * 7/2009 Lai et al. D12/14
2005/0212244 A1* 9/2005 Bobbitt et al. 280/86.751

(75) Inventors: **Xiaojing Liu**, Shenzhen (CN); **Sen Feng**, Shenzhen (CN); **Yong Huang**, Shenzhen (CN)

(73) Assignee: **Shenzhen Greenwheel Electric Vehicle Co., Ltd.**, Shenzhen (CN)

* cited by examiner

(**) Term: **14 Years**

Primary Examiner—T. Chase Nelson
Assistant Examiner—Ania K Dworzecka

(21) Appl. No.: **29/360,137**

(57) **CLAIM**

(22) Filed: **Apr. 21, 2010**

We claim the ornamental design for a front panel for an electric hunting vehicle, as shown.

(30) **Foreign Application Priority Data**

Nov. 3, 2009 (CN) 2009 3 0170242

DESCRIPTION

(51) **LOC (9) Cl.** **12-02**

(52) **U.S. Cl.** **D12/14; D12/169**

(58) **Field of Classification Search** D12/16,
D12/173, 164, 196, 87, 86, 1, 433, 15, 107,
D12/82, 88, 89, 90, 91, 92, 93, 167, 163,
D12/169, 14; D15/30; D21/803; 180/233,
180/908; 280/DIG. 5, 183, 184, 185, 186,
280/28, 37.7

FIG. 1 is a front elevation view of a front panel for an electric hunting vehicle showing the new design;
FIG. 2 is a rear elevation view thereof;
FIG. 3 is a left side elevation view thereof;
FIG. 4 is a right side elevation view thereof;
FIG. 5 is a top plan view thereof;
FIG. 6 is a bottom plan view thereof; and,
FIG. 7 is a perspective view thereof.

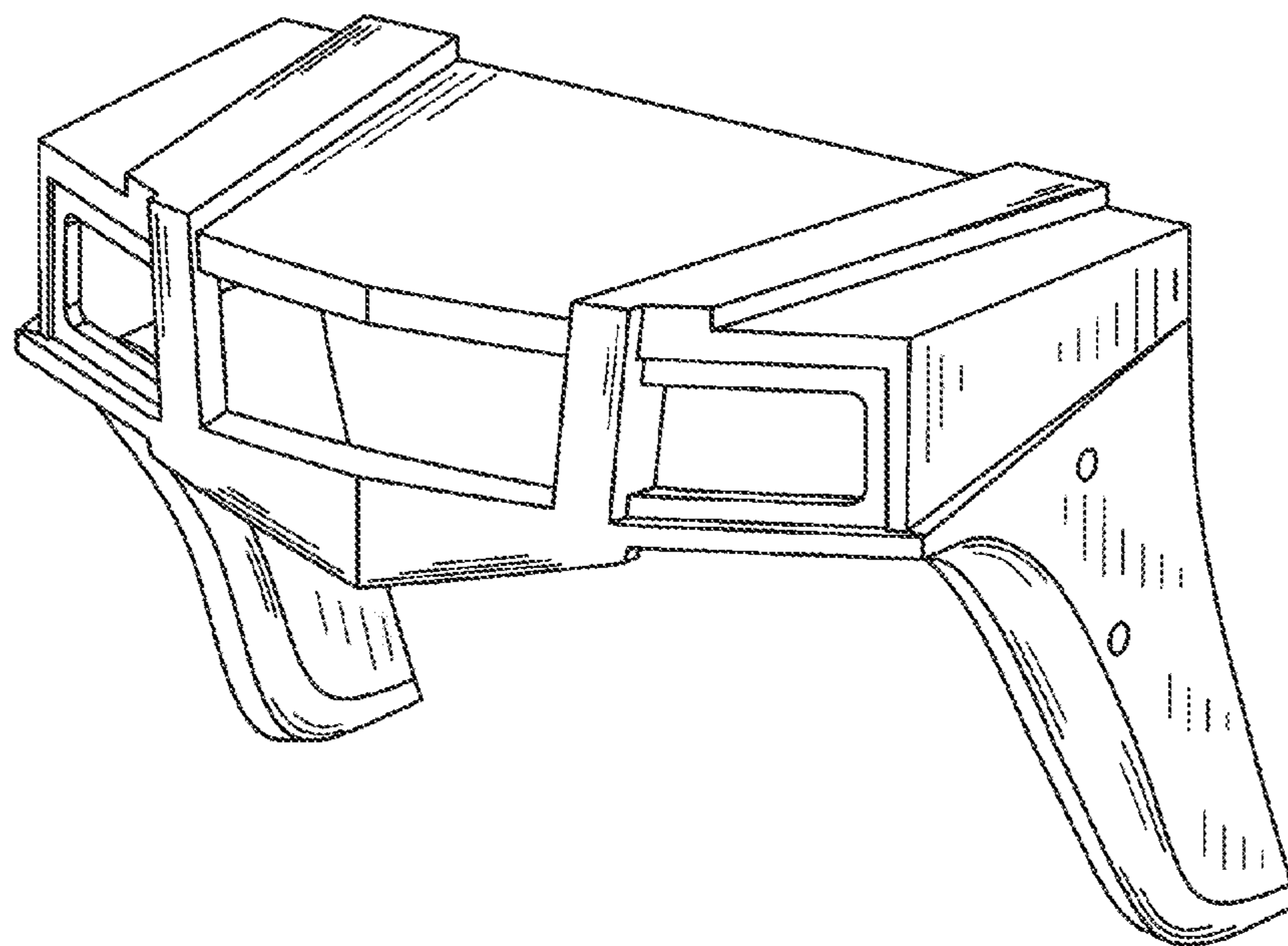
See application file for complete search history.

(56) **References Cited**

U.S. PATENT DOCUMENTS

D539,711 S * 4/2007 Fujimaki D12/169

1 Claim, 4 Drawing Sheets



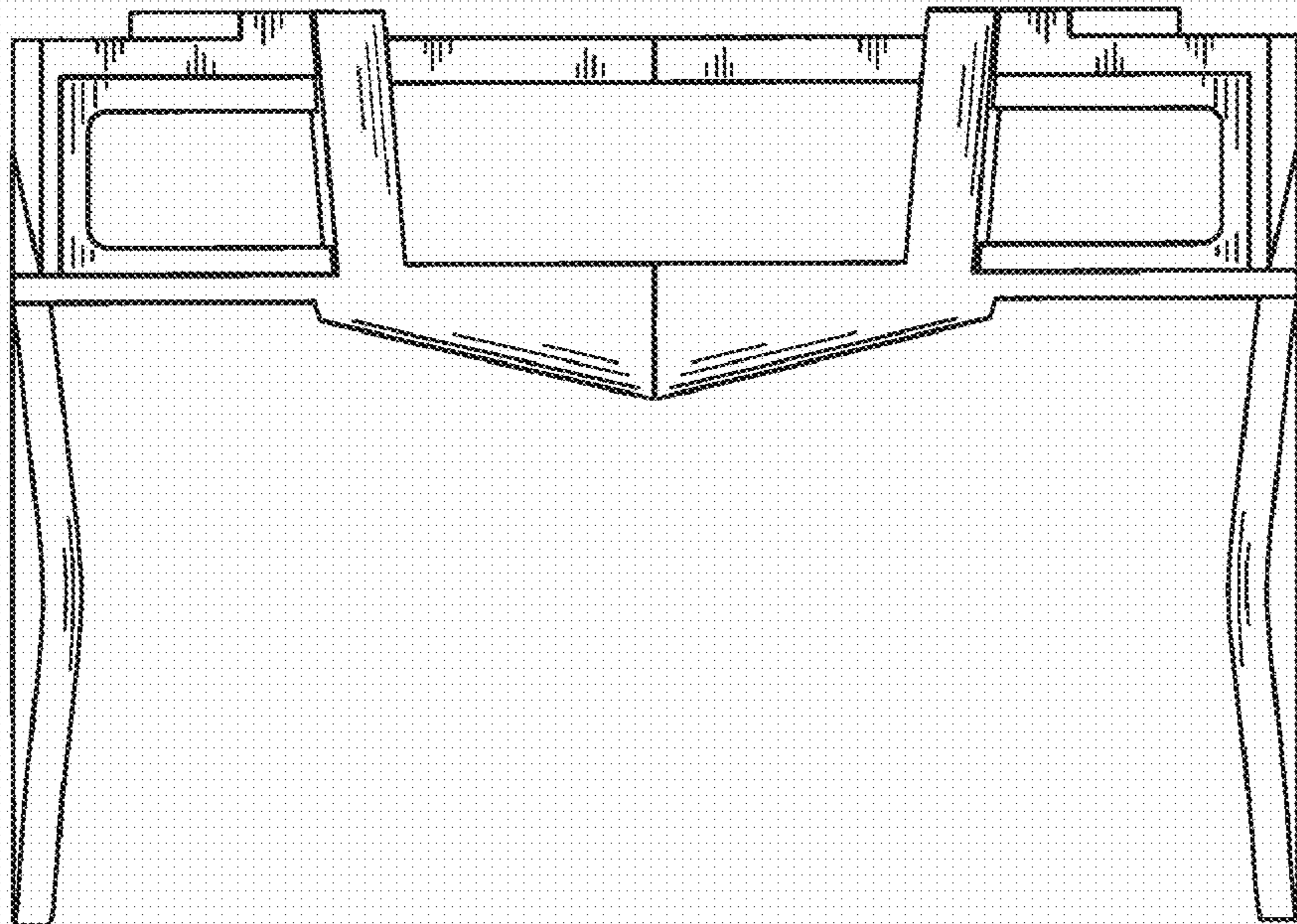


Fig. 1

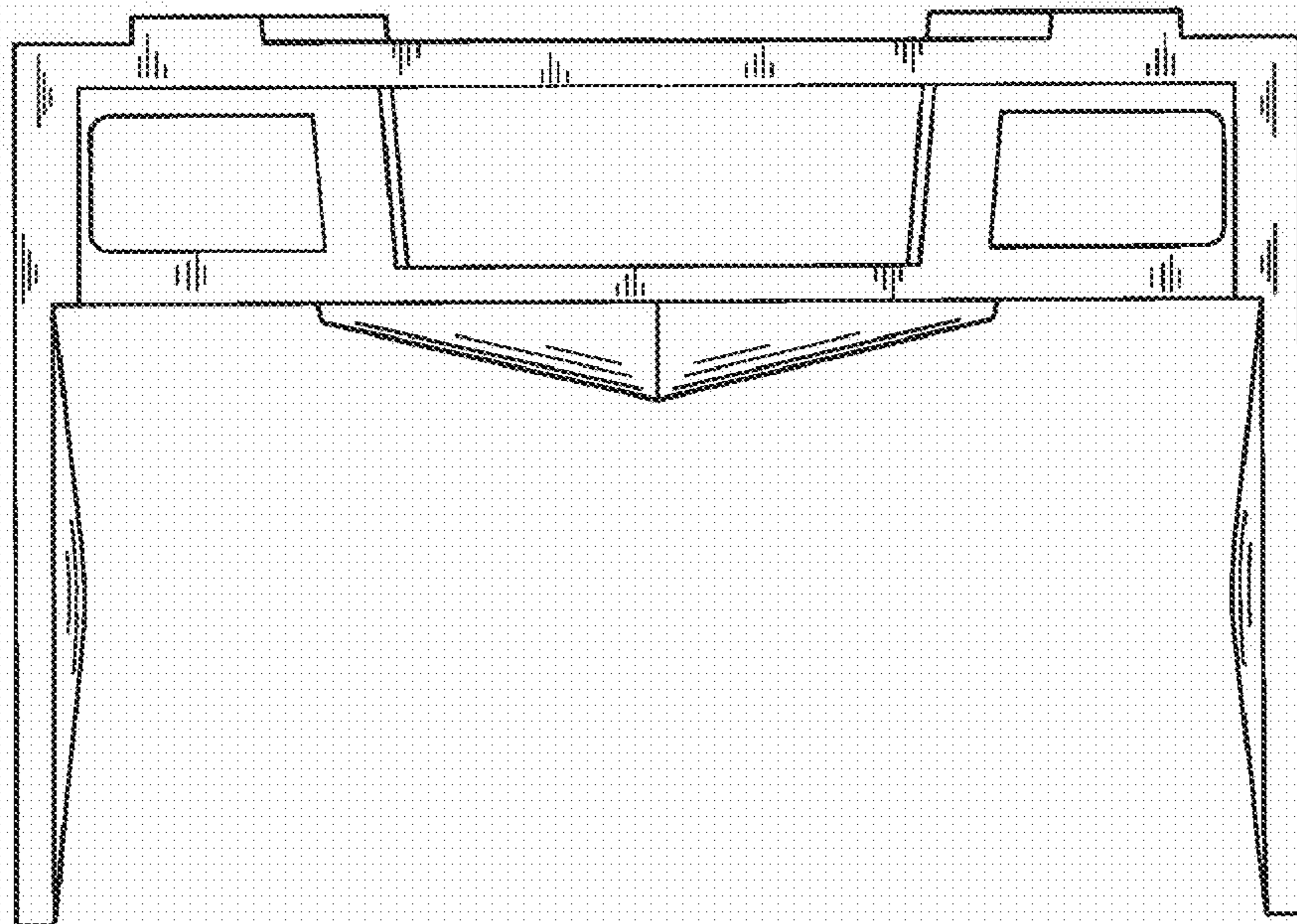


Fig. 2

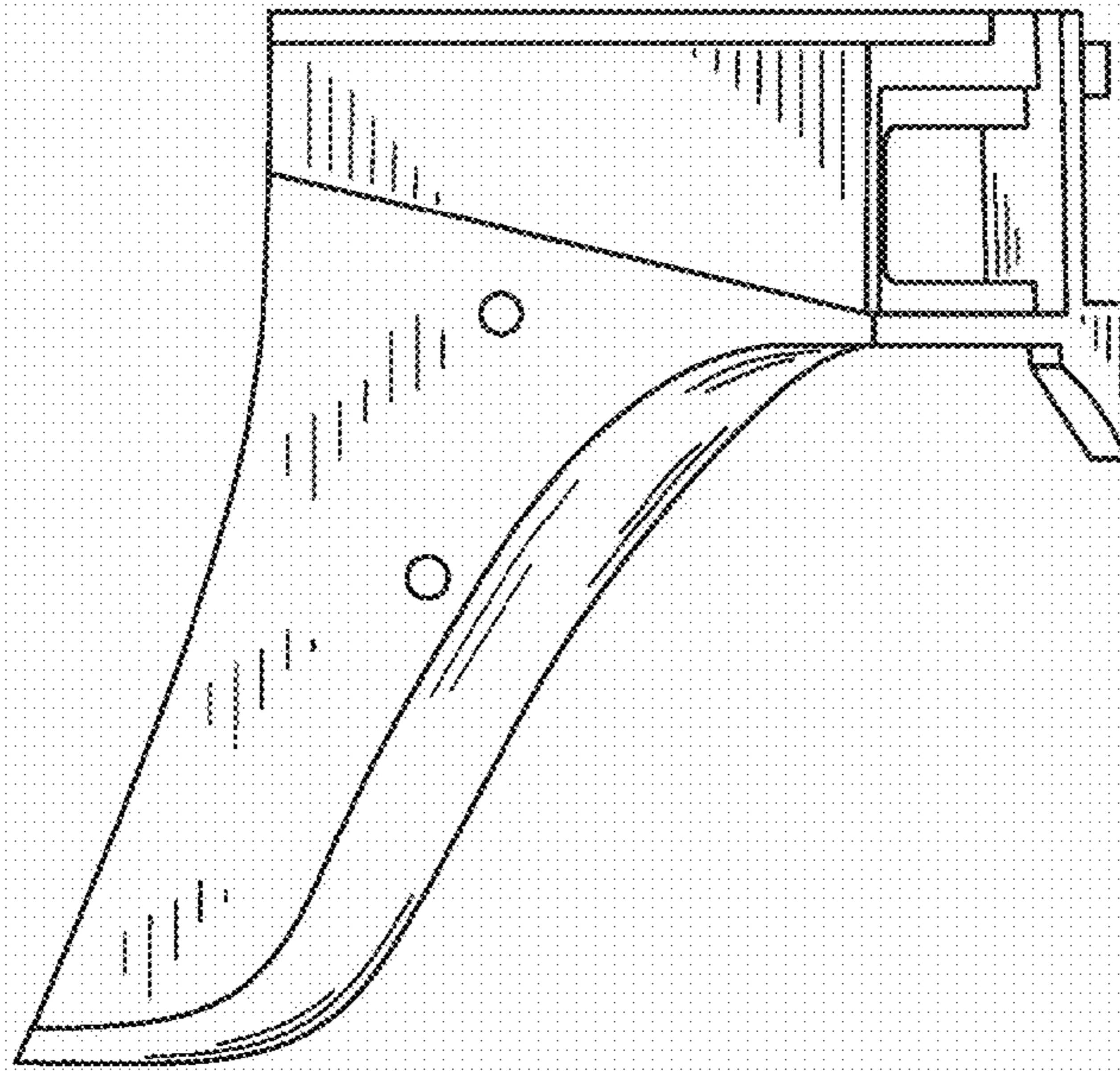


Fig. 3

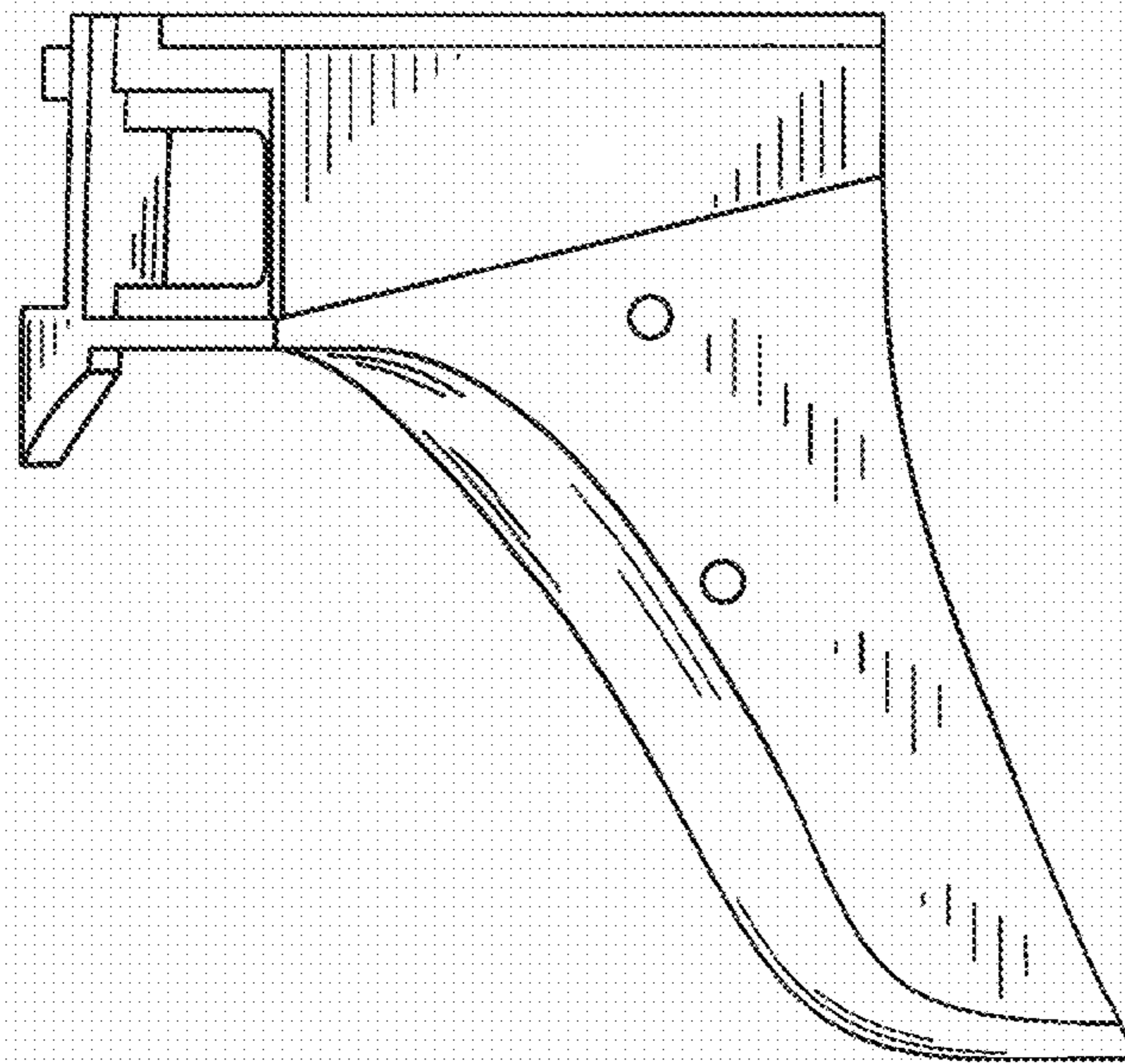


Fig. 4

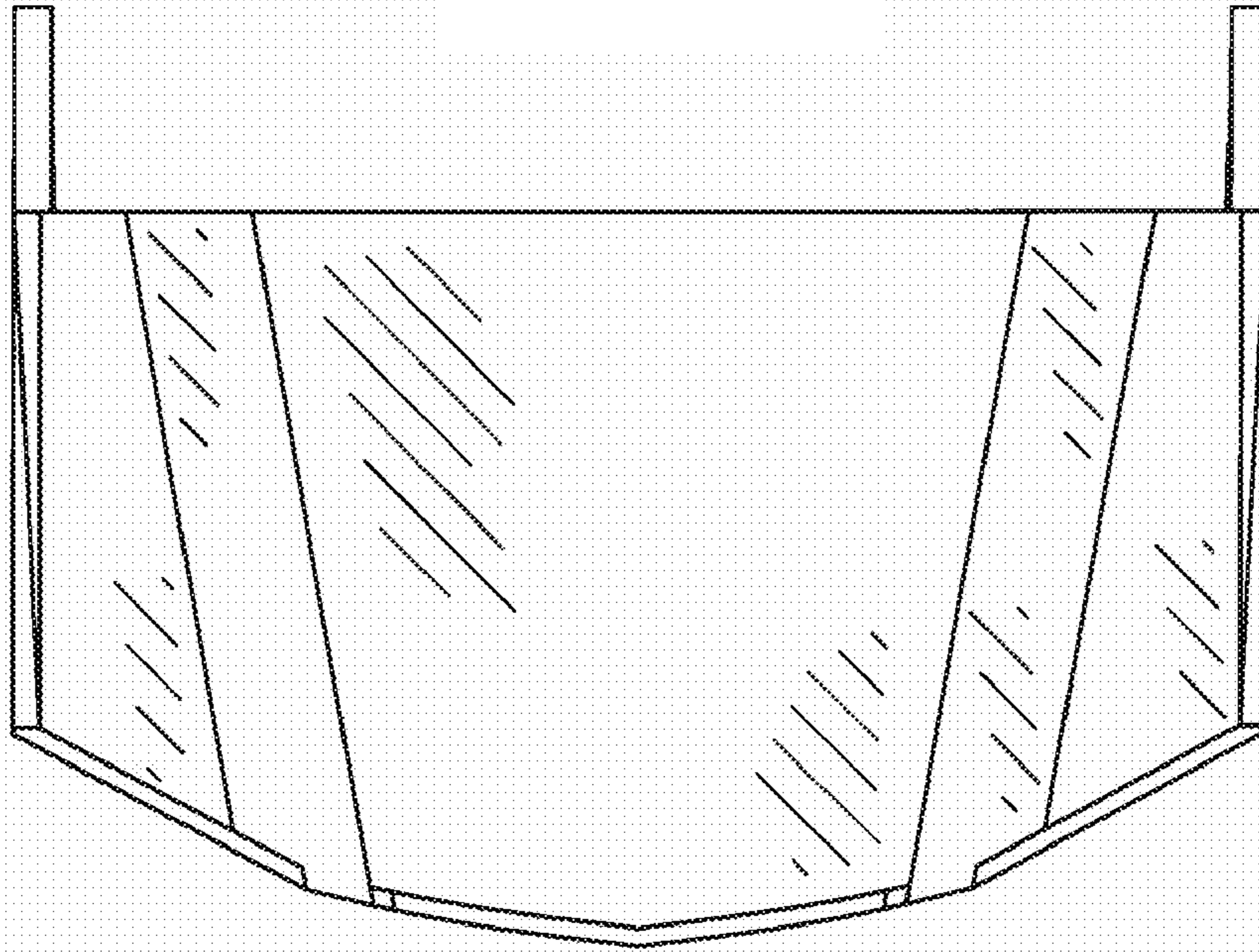


Fig. 5

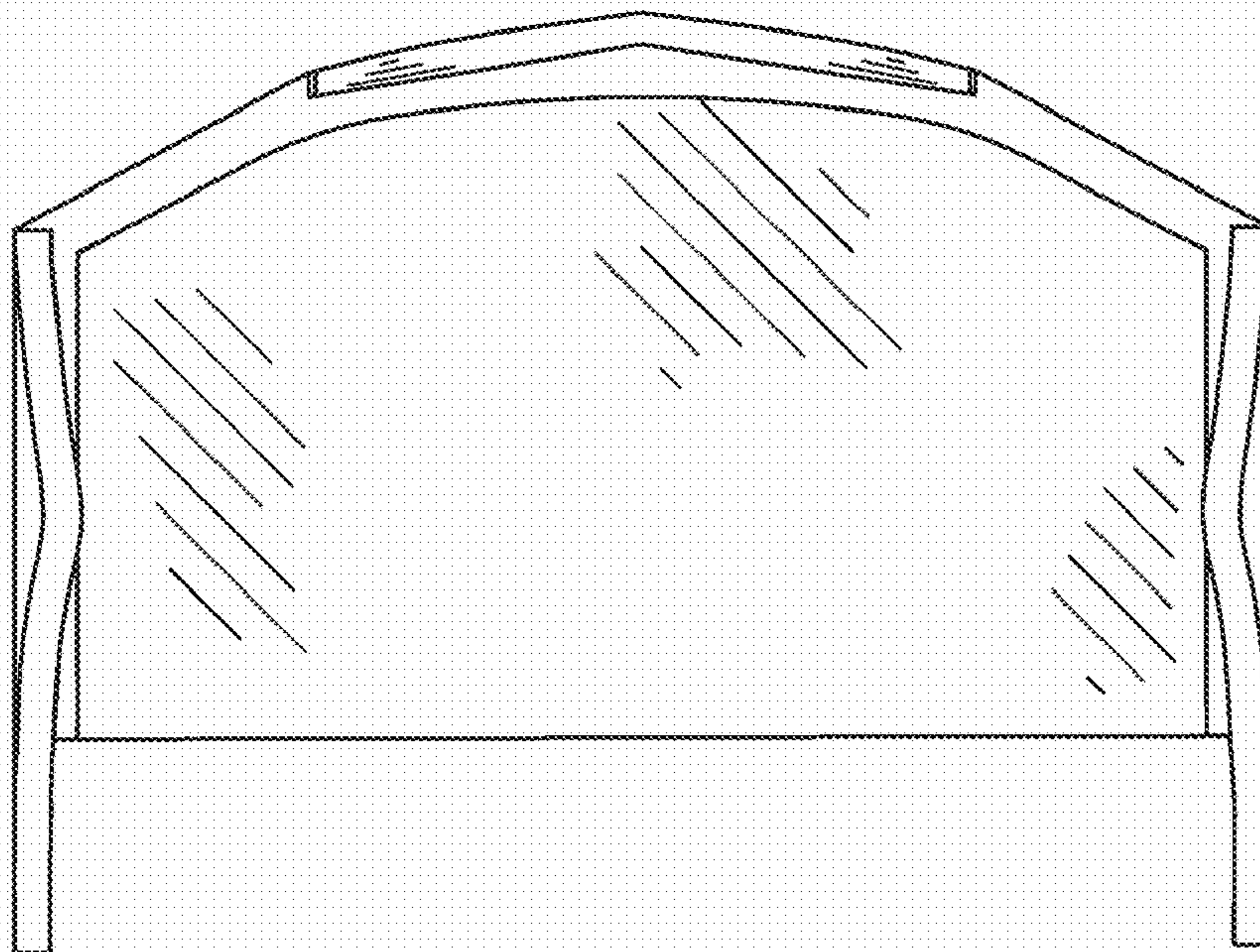


Fig. 6

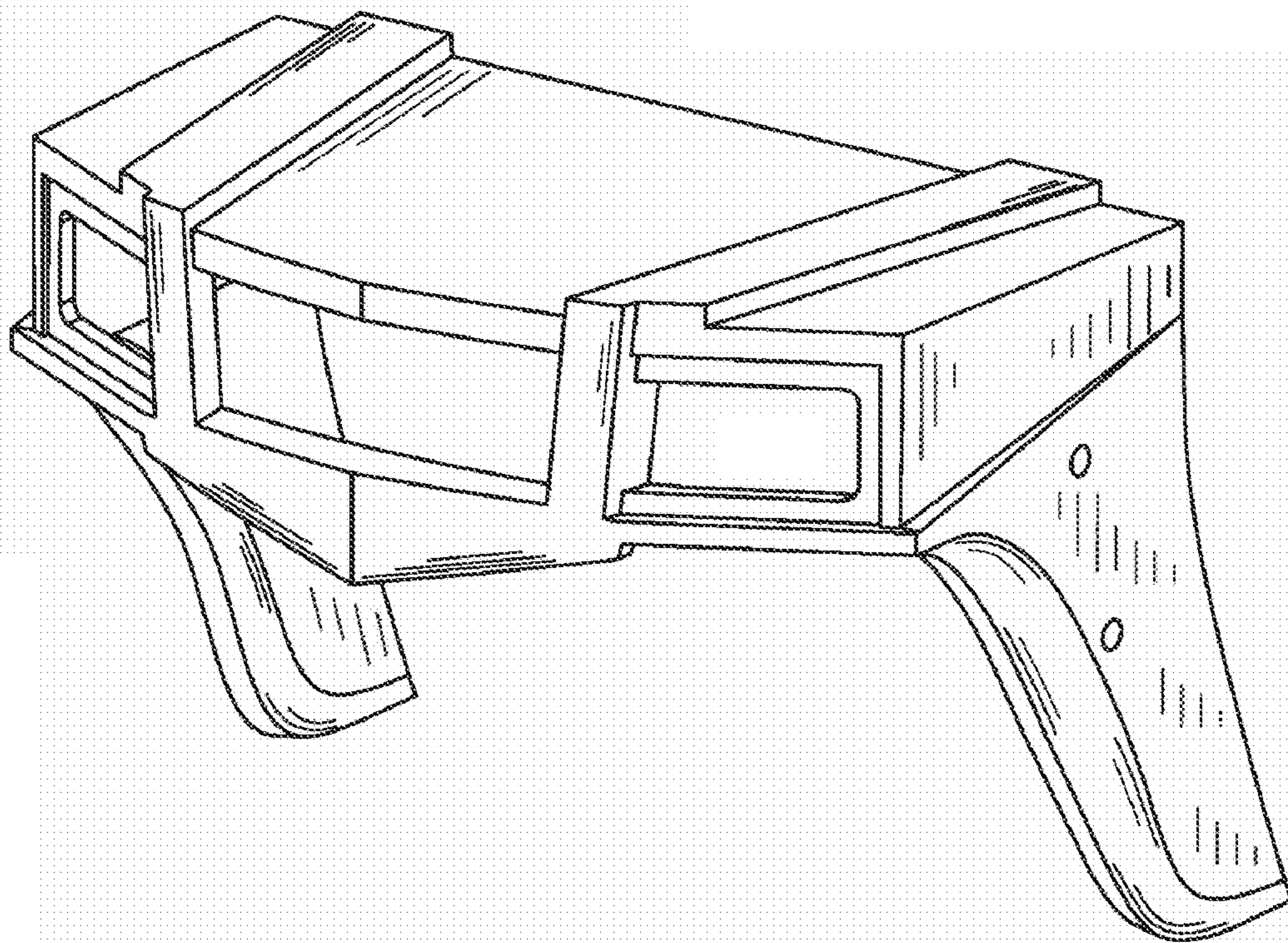


Fig. 7