



US00D627683S

(12) **United States Design Patent**  
**Ynna**

(10) **Patent No.:** **US D627,683 S**  
(45) **Date of Patent:** **\*\* Nov. 23, 2010**

(54) **SLIDER OF ZIP FASTENER**

(75) Inventor: **Xavier Ynna**, Sermerieu (FR)

(73) Assignee: **Delsey**, Tremblay en France (FR)

(\*\*) Term: **14 Years**

(21) Appl. No.: **29/359,830**

(22) Filed: **Apr. 15, 2010**

(30) **Foreign Application Priority Data**

Nov. 23, 2009 (EM) ..... 001179246

(51) **LOC (9) Cl.** ..... **02-07**

(52) **U.S. Cl.** ..... **D11/211**

(58) **Field of Classification Search** ..... D11/200,  
D11/201, 221; 24/381–383, 385–387, 414–417,  
24/421–422, 427–431, 433; 2/265  
See application file for complete search history.

(56) **References Cited**

**U.S. PATENT DOCUMENTS**

D393,431 S \* 4/1998 Kawamura ..... D11/221  
D446,165 S \* 8/2001 Yoneoka ..... D11/221

\* cited by examiner

*Primary Examiner*—Ralf Seifert

(74) *Attorney, Agent, or Firm*—Young & Thompson

(57) **CLAIM**

The ornamental design for a slider of zip fastener, as shown and described.

**DESCRIPTION**

FIG. 1 is a perspective view of a slider for zip fastener showing my new design;

FIG. 2 is a side elevational view thereof;

FIG. 3 is a side elevational view thereof from the side opposite that shown in FIG. 2;

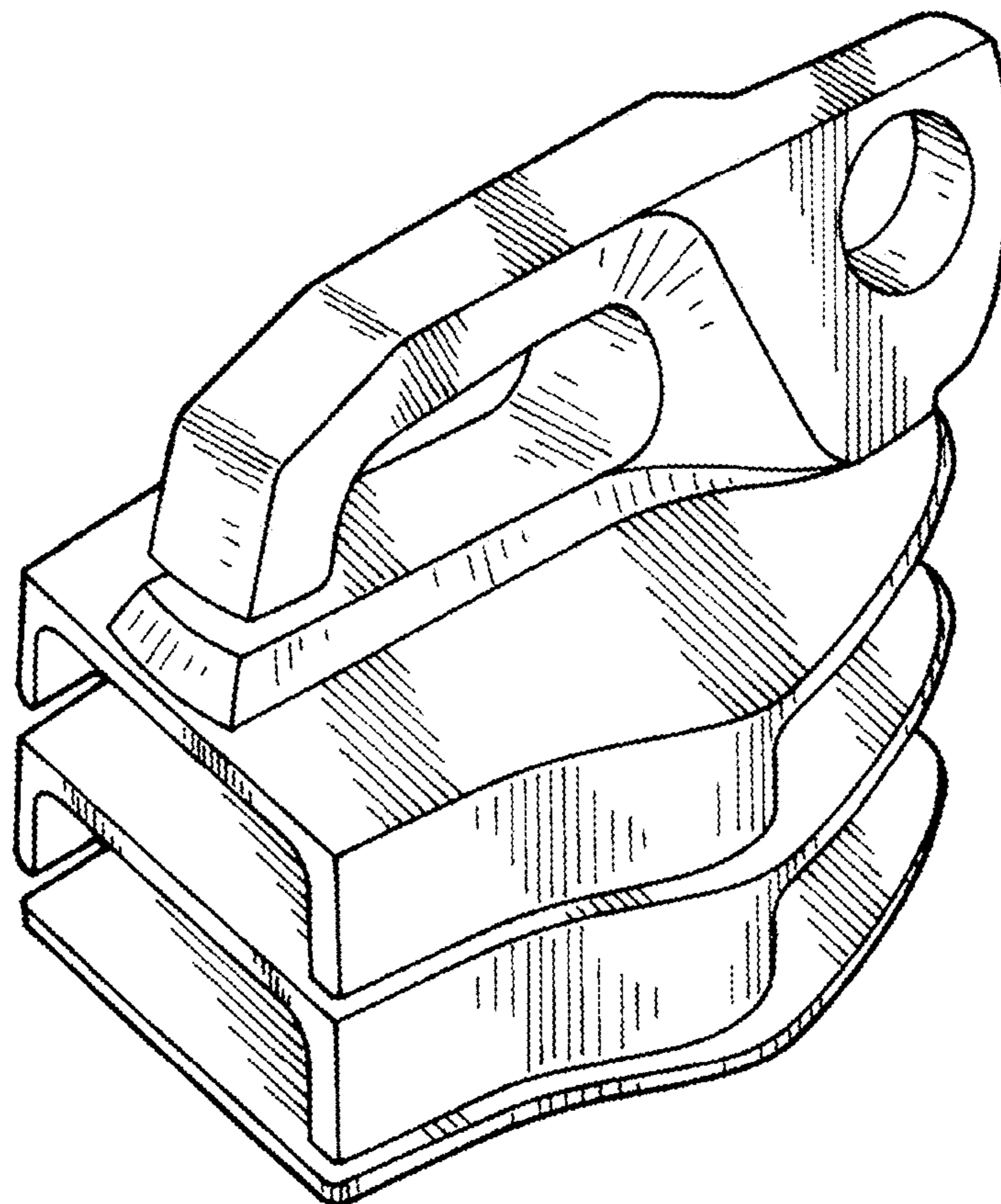
FIG. 4 is an end elevational view thereof from the right of FIG. 2;

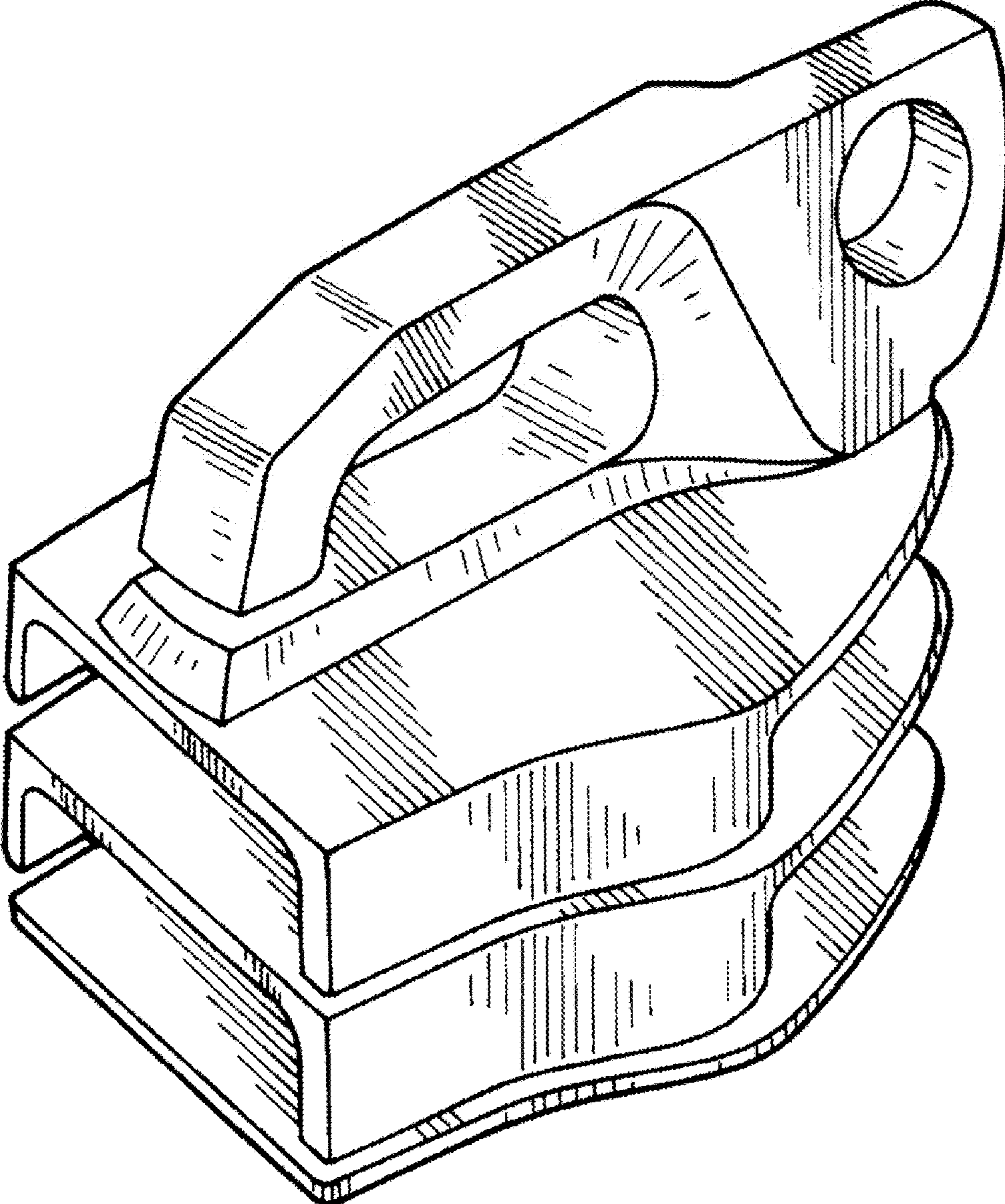
FIG. 5 is an end elevational view thereof from the left of FIG. 2;

FIG. 6 is a top plan view thereof; and,

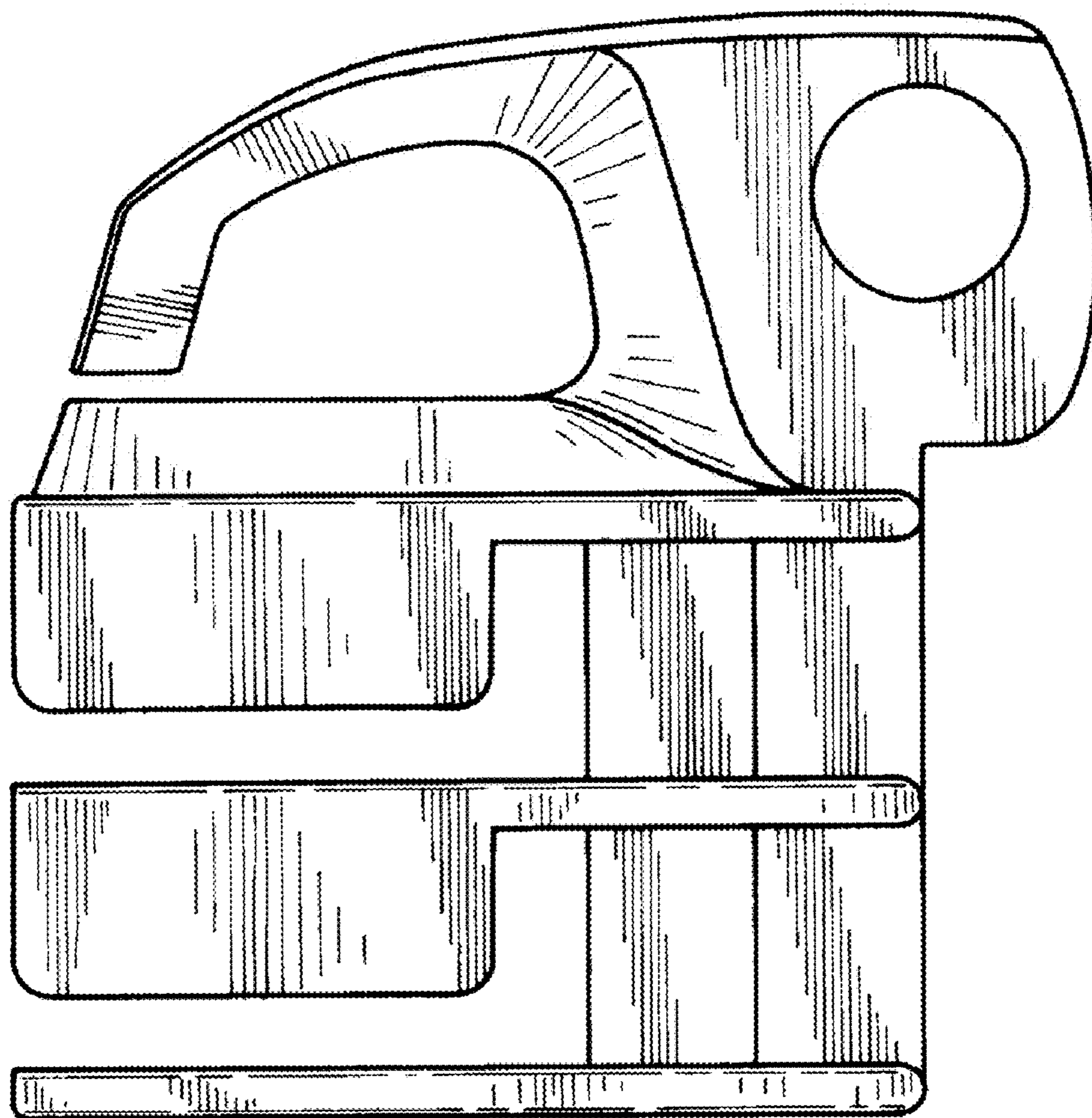
FIG. 7 is a bottom plan view thereof.

**1 Claim, 7 Drawing Sheets**

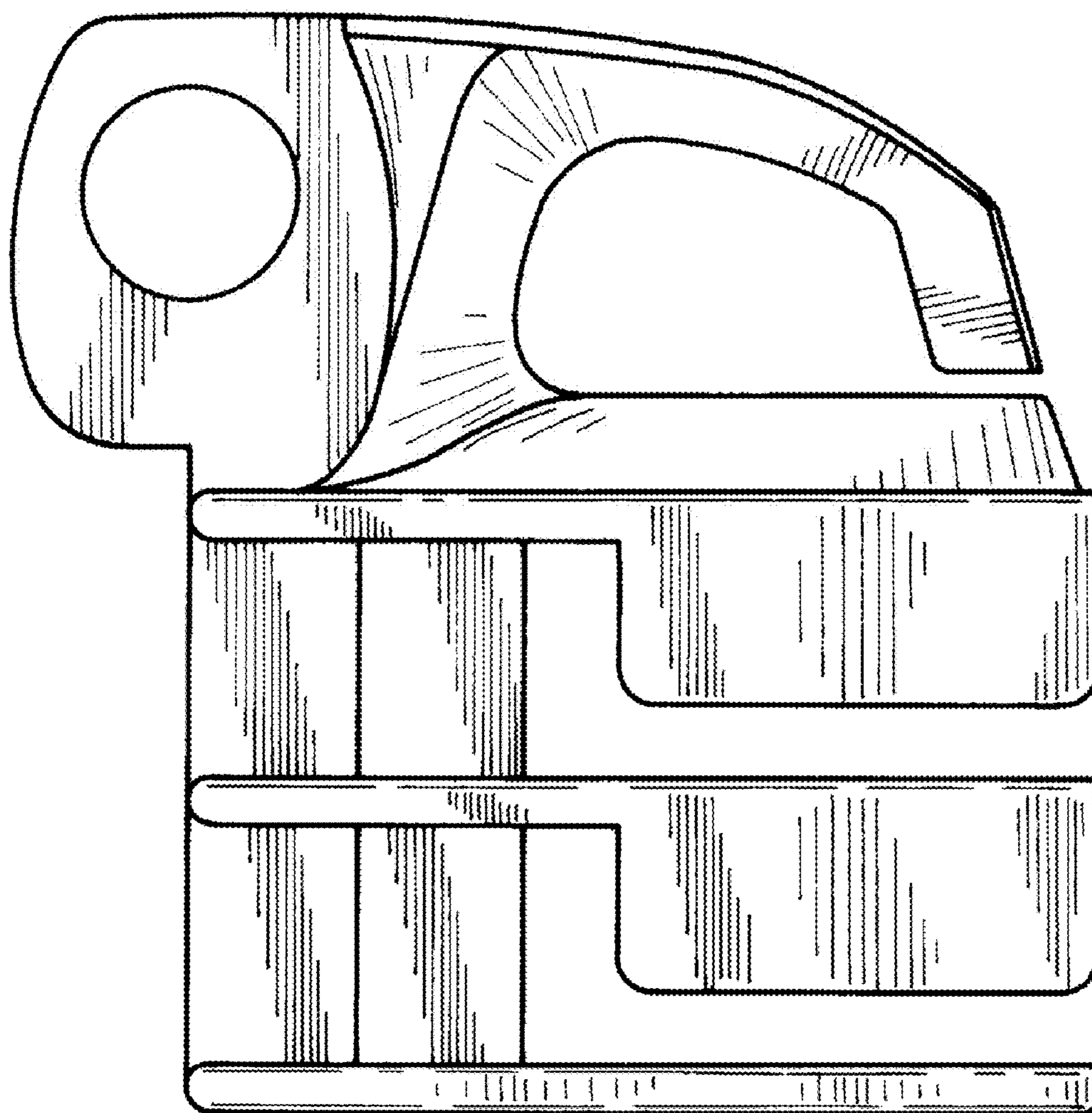




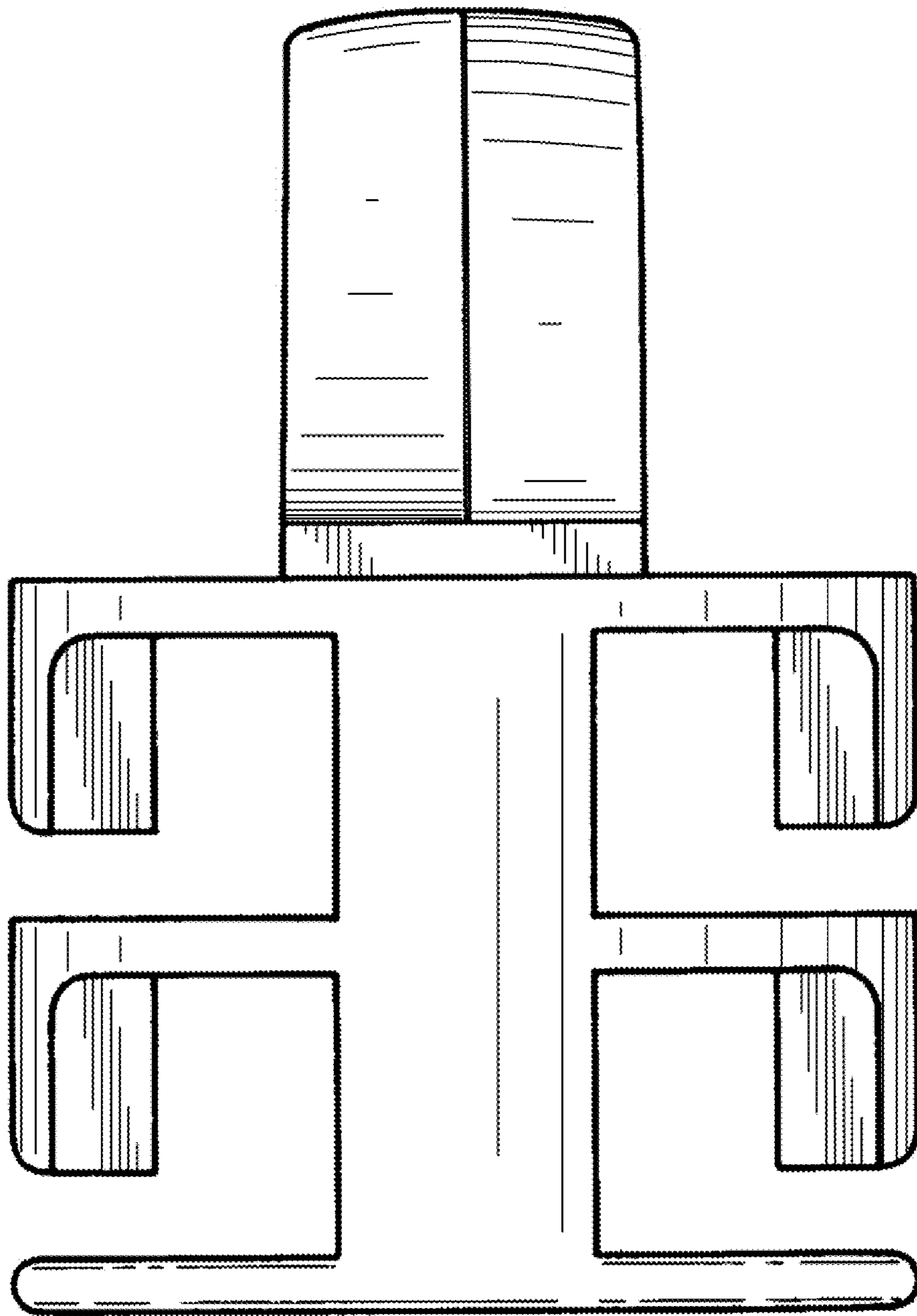
*FIG. 1*



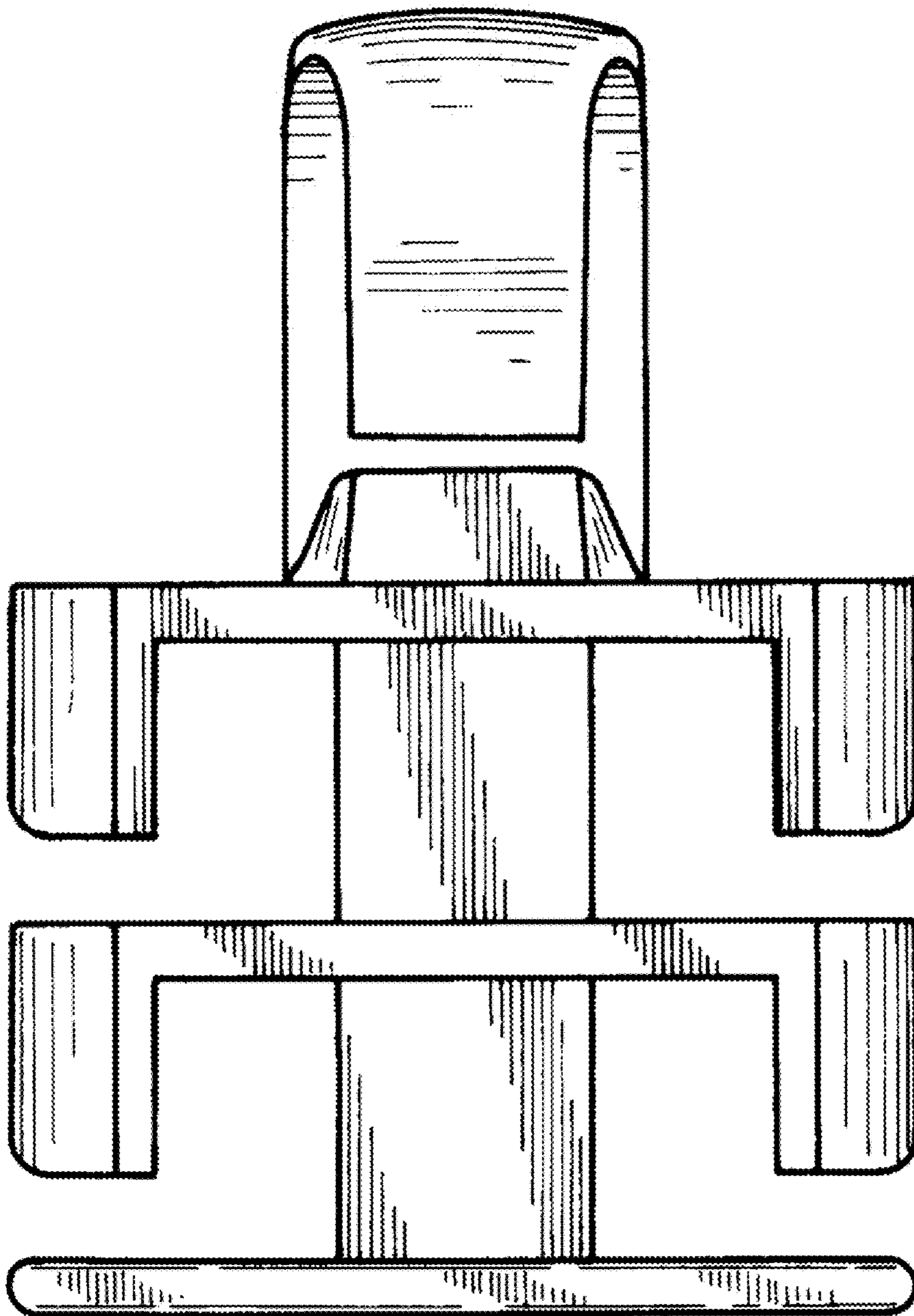
*FIG. 2*



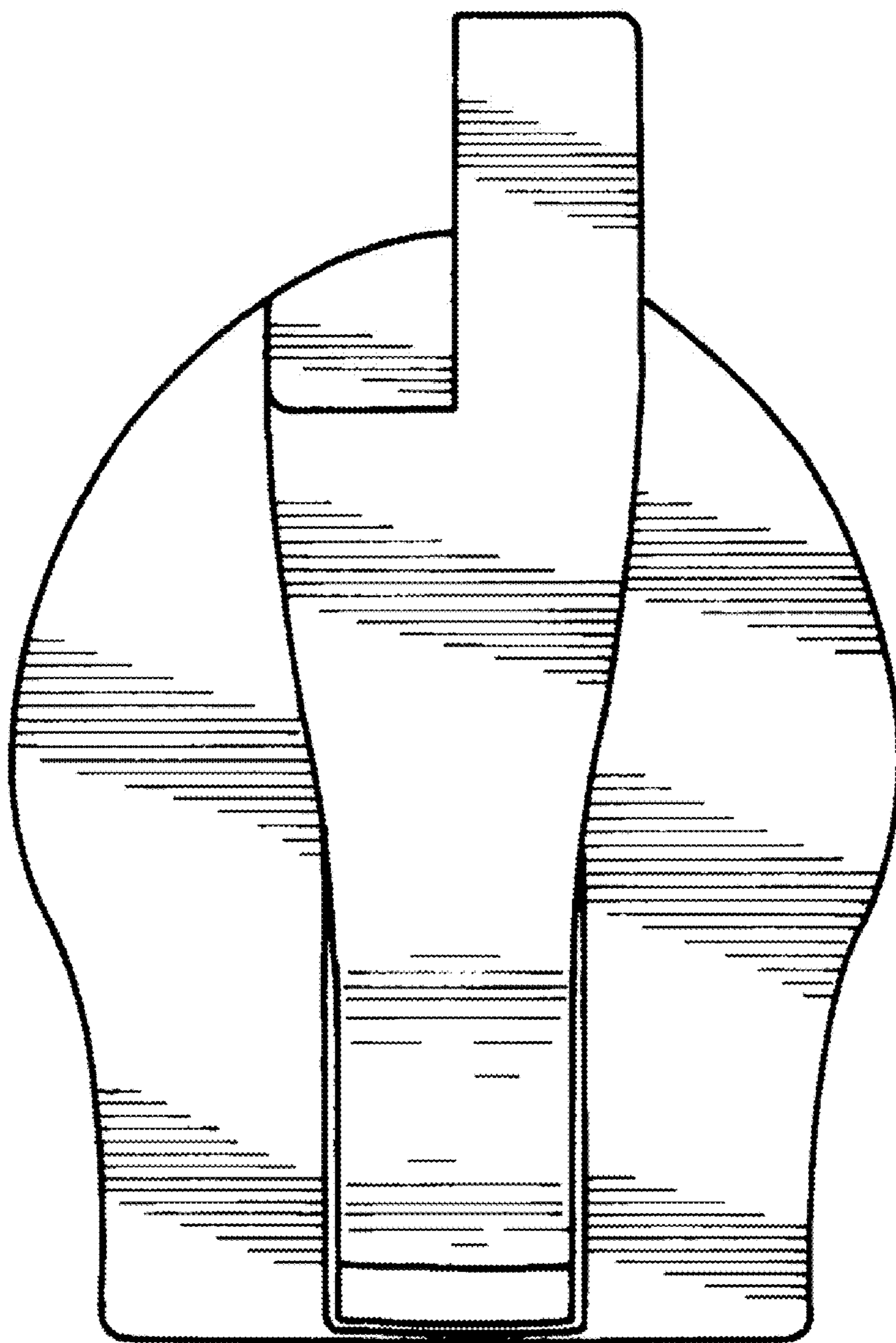
*FIG. 3*



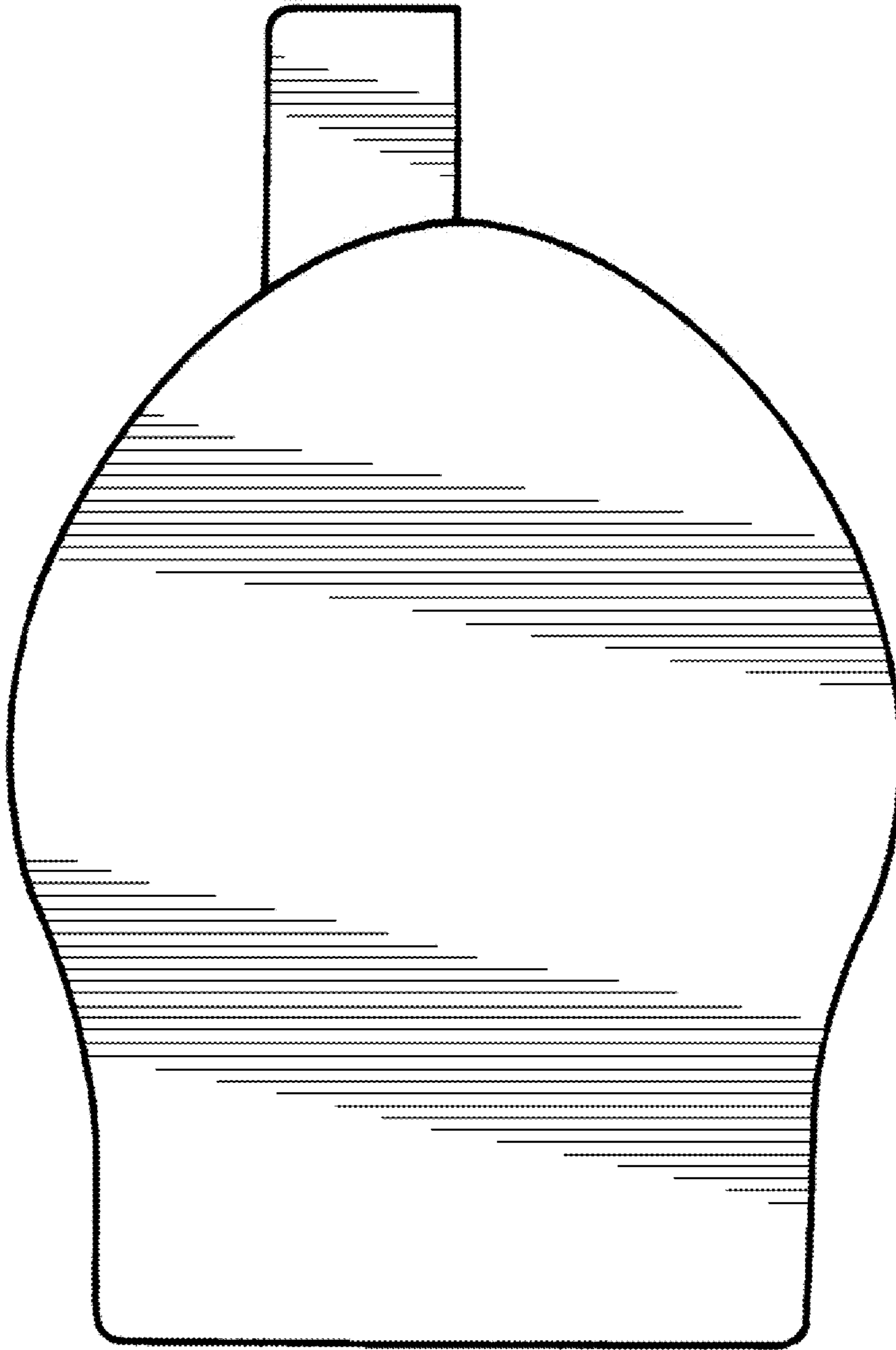
*FIG. 4*



*FIG. 5*



*FIG. 6*



*FIG. 7*