



US00D627671S

(12) **United States Design Patent**
Gonzales

(10) **Patent No.:** **US D627,671 S**

(45) **Date of Patent:** **** Nov. 23, 2010**

(54) **DC HAZARDOUS CONDITION DETECTOR** 2010/0117840 A1* 5/2010 Rutter et al. 340/628

(75) Inventor: **Eric V. Gonzales**, Aurora, IL (US)

(73) Assignee: **Universal Security Instruments, Inc.**,
Owings Mill, MD (US)

(**) Term: **14 Years**

(21) Appl. No.: **29/351,138**

(22) Filed: **Dec. 1, 2009**

(51) **LOC (9) Cl.** **10-04**

(52) **U.S. Cl.** **D10/81; D10/106**

(58) **Field of Classification Search** D10/81,
D10/106; 73/23.25; 340/628, 629, 630,
340/632, 691.5, 693.5; 422/86, 94; 702/24
See application file for complete search history.

(56) **References Cited**

U.S. PATENT DOCUMENTS

D246,635 S	12/1977	Boldt et al.	
D249,481 S	9/1978	Conforti et al.	
D253,400 S	11/1979	Vander Wilt	
D271,671 S	12/1983	Thornton, Jr.	
D276,417 S	11/1984	Fenne	
D279,769 S	7/1985	Thornton, Jr. et al.	
D283,407 S	4/1986	Fenne	
D297,219 S	8/1988	Taylor	
D306,409 S	3/1990	Fish	
D308,947 S	7/1990	Downing	
D359,701 S	6/1995	Fischette et al.	
D361,732 S	8/1995	Fischette et al.	
D364,108 S	11/1995	DeWitt	
D367,622 S	3/1996	DeWitt	
D367,623 S	3/1996	DeWitt	
D390,797 S	2/1998	Yao et al.	
D422,521 S	4/2000	Morrow	
D457,456 S	5/2002	Holland	
D472,175 S *	3/2003	Welsh D10/81
D567,691 S	4/2008	Priestly	
D591,630 S	5/2009	Tsurumi	
D602,388 S *	10/2009	Killo et al. D10/106
D608,671 S *	1/2010	Treharne D10/106
D612,758 S	3/2010	Cristoforo	

OTHER PUBLICATIONS

Kidde, Firex, 12V AC Wire-In Smoke Alarm.
Firex, Smoke Alarm User's Guide, Manual P/N 820-1552, Rev. A.,
1261-7201-00.

(Continued)

Primary Examiner—Antoine D Davis
(74) *Attorney, Agent, or Firm*—Cahn & Samuels LLP

(57) **CLAIM**

The ornamental design for a DC hazardous condition detector, as shown and described.

DESCRIPTION

FIG. 1 is a perspective view of the DC hazardous condition detector according to the present invention.

FIG. 2 is a top view of the DC hazardous condition detector according to the present invention.

FIG. 3 is a bottom view of the DC hazardous condition detector according to the present invention.

FIG. 4 is a first side view of the DC hazardous condition detector according to the present invention.

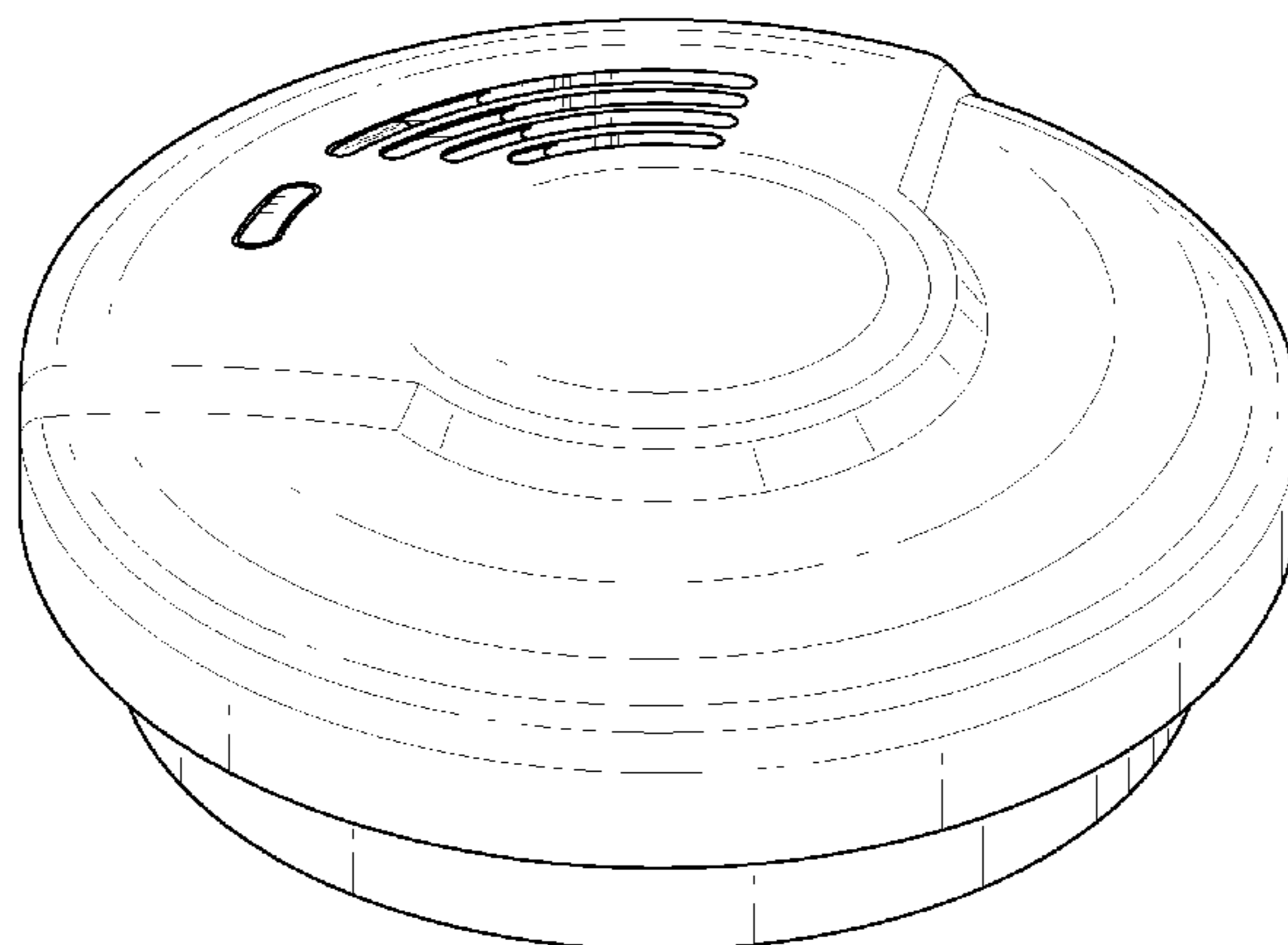
FIG. 5 is a second side view of the DC hazardous condition detector according to the present invention.

FIG. 6 is a third side view of the DC hazardous condition detector according to the present invention; and,

FIG. 7 is a fourth side view of the DC hazardous condition detector according to the present invention.

The broken line showing of structural features is included for the purpose of illustrating non-claimed subject matter and forms no part of the claimed design.

1 Claim, 5 Drawing Sheets



US D627,671 S

Page 2

OTHER PUBLICATIONS

Universal Security Instruments, Inc., Model: SS-2895 120 V Wired in Photoelectric Alarm.

Universal Security Instruments, Inc., Model: USI-7795 Wired-In 120 Volt Combo Smoke & CO Alarm.

* cited by examiner

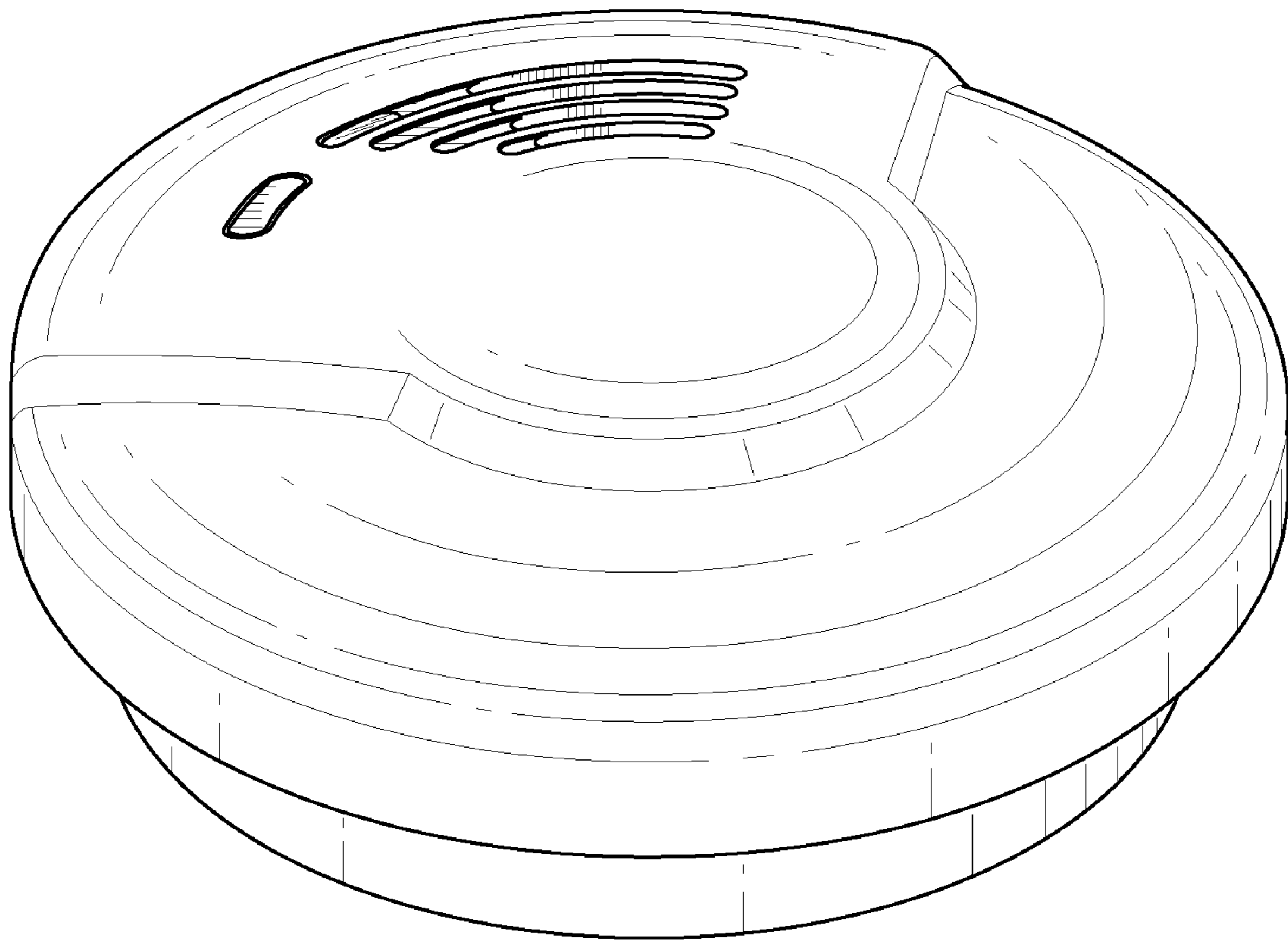


FIG. 1

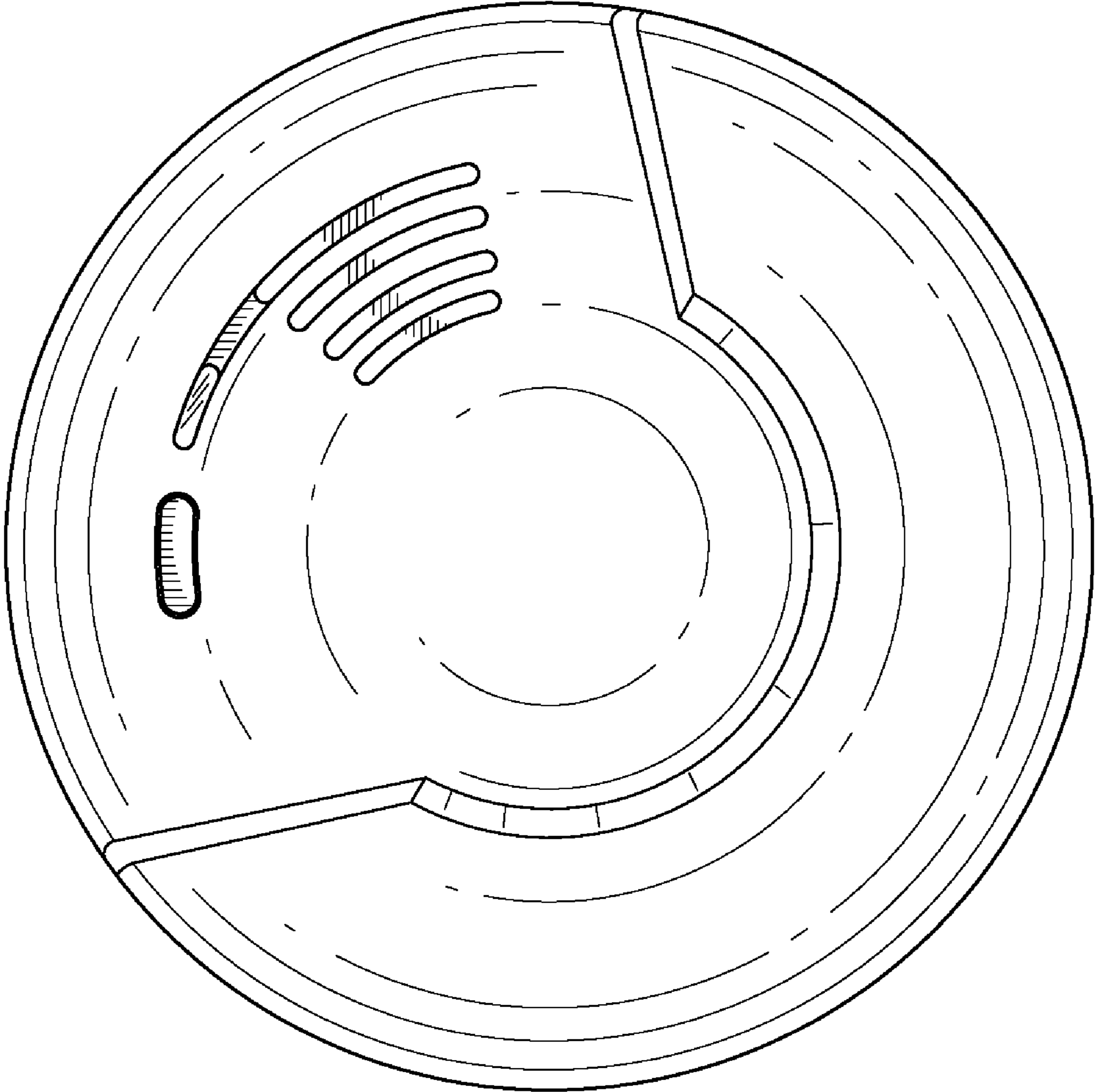


FIG. 2

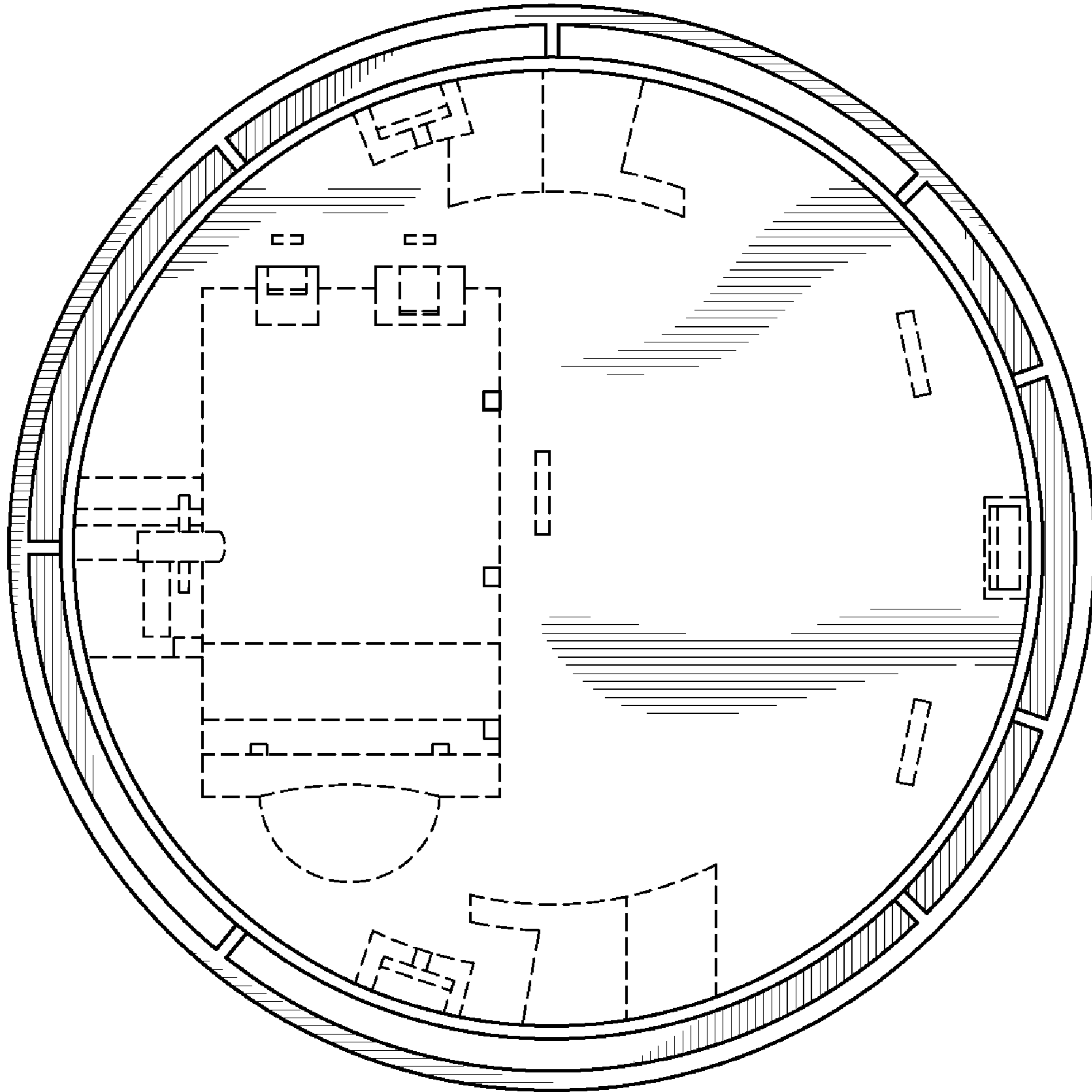


FIG. 3

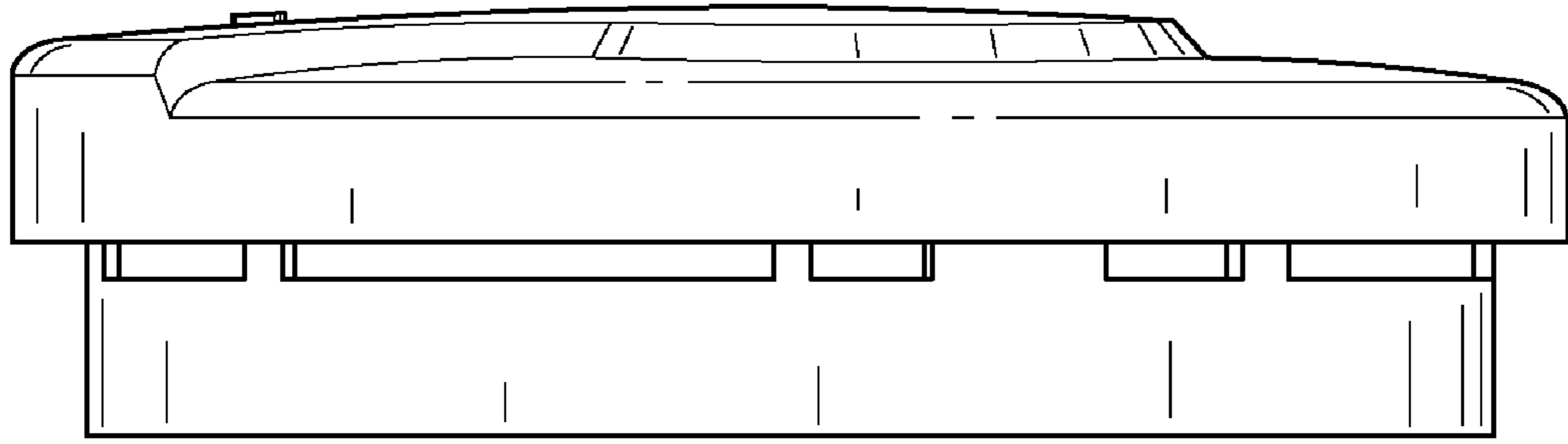


FIG. 4

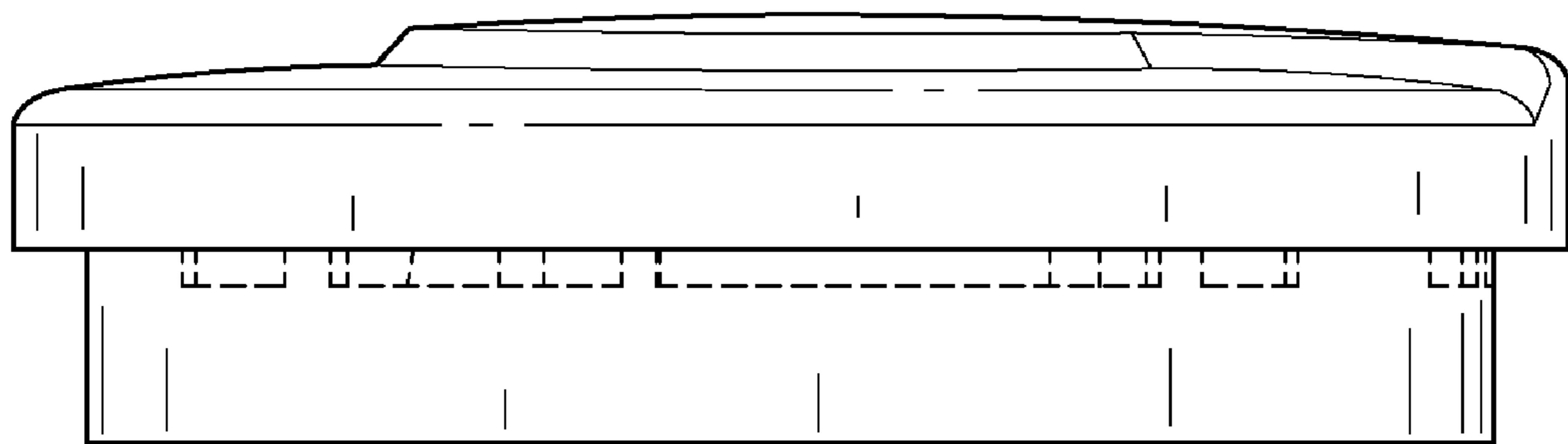


FIG. 5

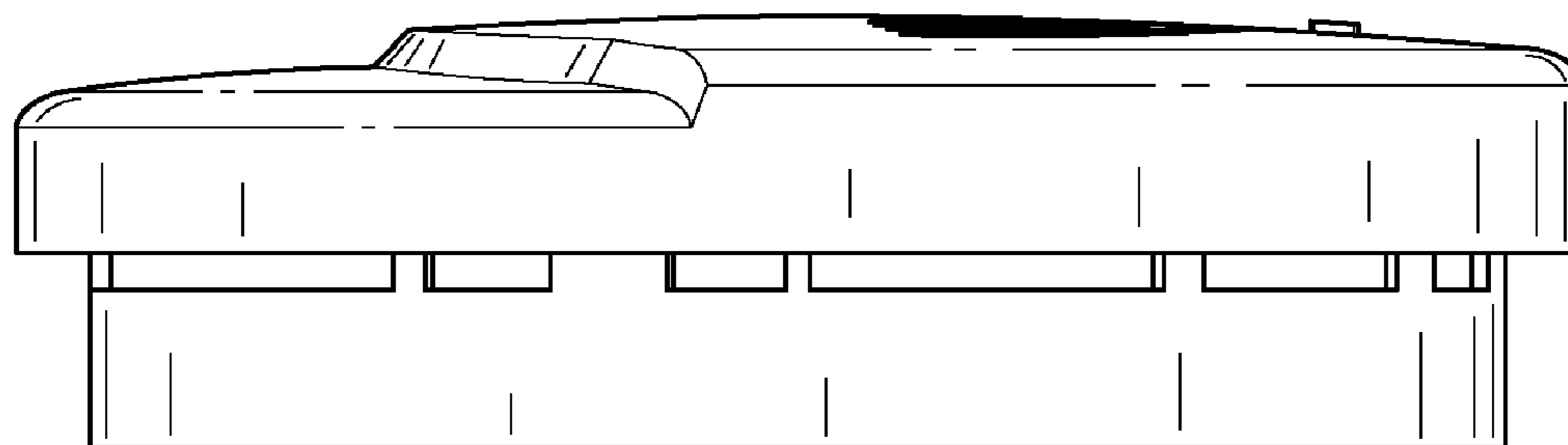


FIG. 6

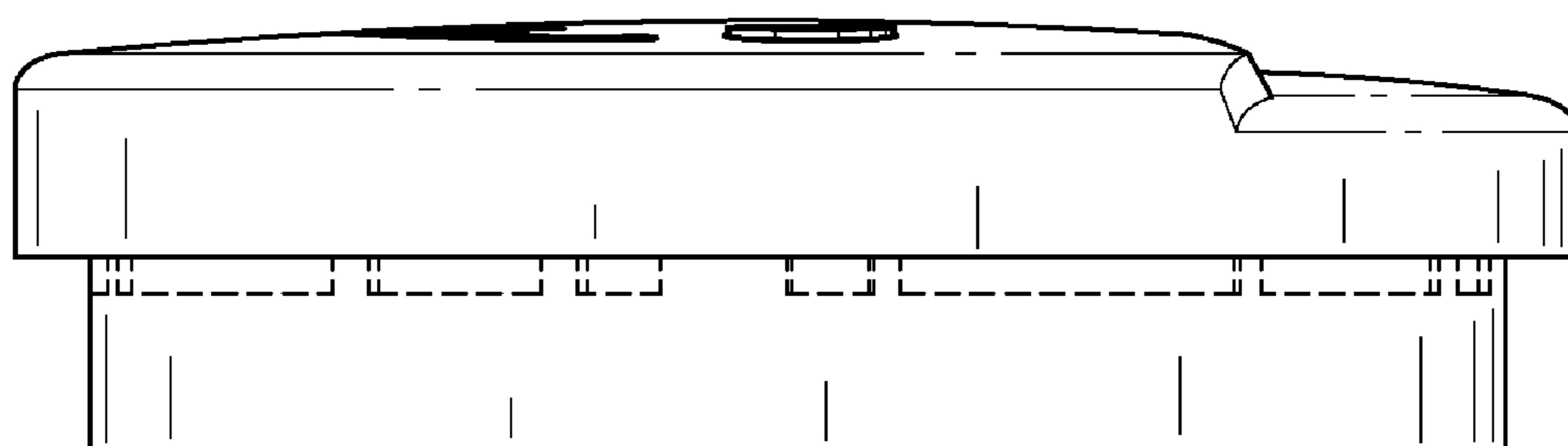


FIG. 7