

US00D627668S

(12) **United States Design Patent**
Piencikowski

(10) **Patent No.:** **US D627,668 S**

(45) **Date of Patent:** **** Nov. 23, 2010**

(54) **LEVEL**

(76) **Inventor:** **Dan Piencikowski**, 17197 Panorama Ct.,
Montrose, CO (US) 81401

(**) **Term:** **14 Years**

(21) **Appl. No.:** **29/342,783**

(22) **Filed:** **Sep. 1, 2009**

(51) **LOC (9) Cl.** **10-04**

(52) **U.S. Cl.** **D10/69**

(58) **Field of Classification Search** D10/69;
33/365, 366.11–366.27, 367–391
See application file for complete search history.

(56) **References Cited**

U.S. PATENT DOCUMENTS

4,660,292	A	4/1987	Richardson	
4,700,489	A	10/1987	Vasile	
D348,619	S	* 7/1994	Hansen D10/69
D353,111	S	12/1994	Meador	
D360,371	S	* 7/1995	O'Hare et al. D10/69
D365,768	S	* 1/1996	Rodriguez D10/69
D480,319	S	10/2003	Jan	

6,643,942	B1	11/2003	Russell
6,935,041	B2	8/2005	Orton
2005/0223578	A1	10/2005	Scarborough

* cited by examiner

Primary Examiner—Antoine D Davis

(74) *Attorney, Agent, or Firm*—Crossley Patent Law; Mark A. Crossley

(57) **CLAIM**

The ornamental design for a level, as shown and described.

DESCRIPTION

FIG. 1 is a perspective view of a level showing my new design;

FIG. 2 is a front elevation view thereof;

FIG. 3 is a top plan view thereof;

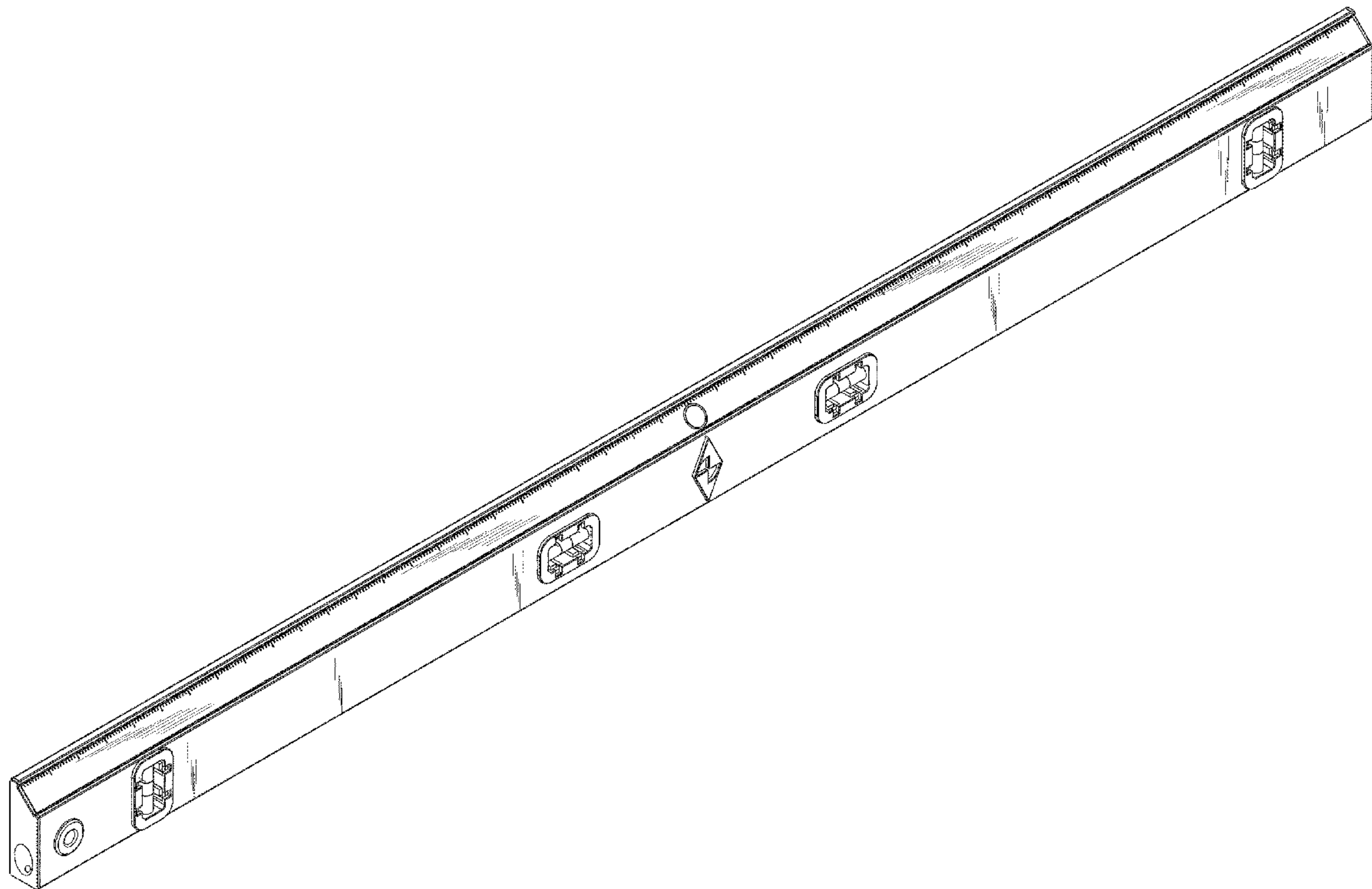
FIG. 4 is a bottom plan view thereof;

FIG. 5 is a rear elevation view thereof;

FIG. 6 is a right elevation view thereof; and,

FIG. 7 is a left elevation view thereof.

1 Claim, 3 Drawing Sheets



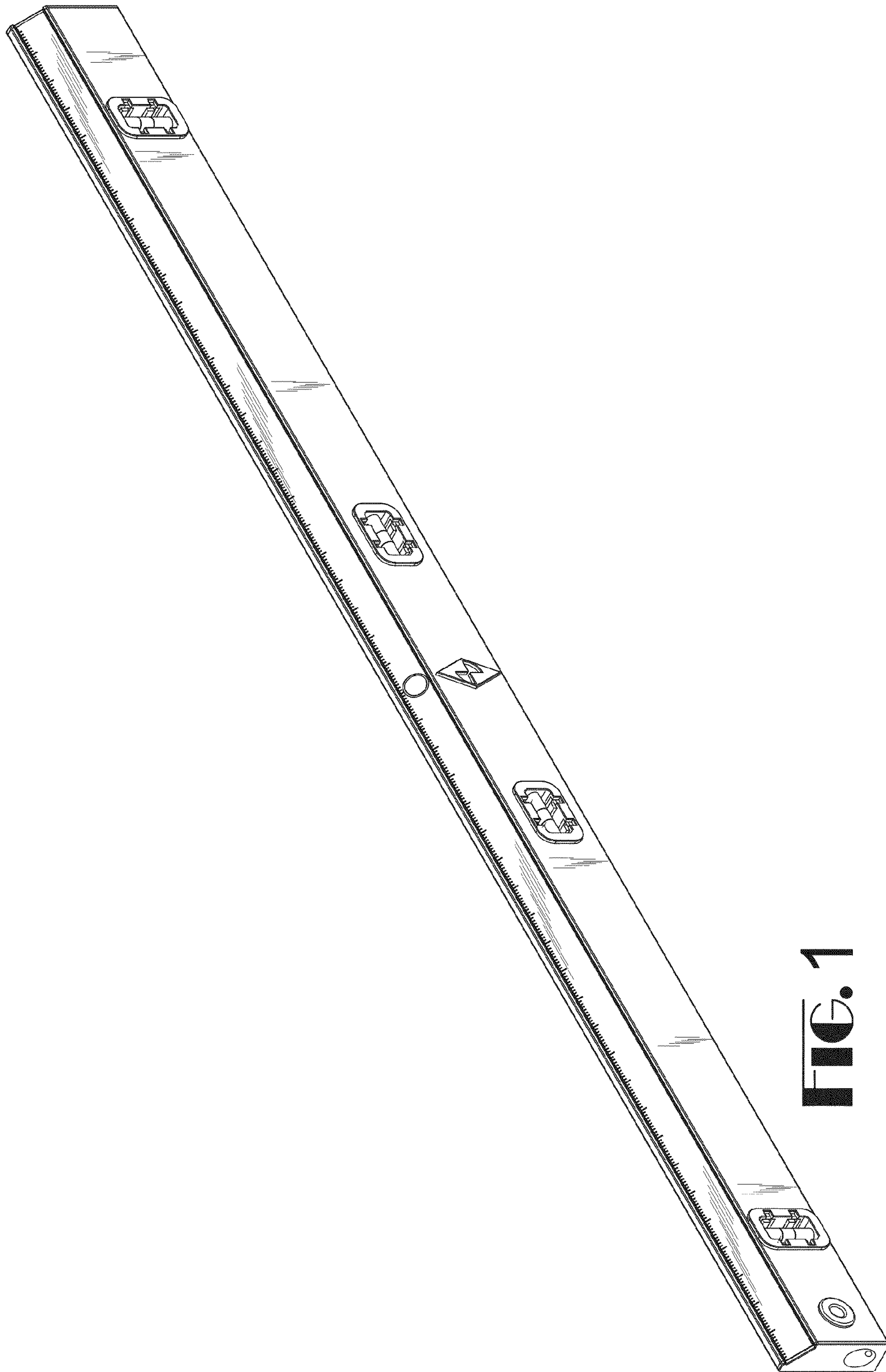


FIG. 1

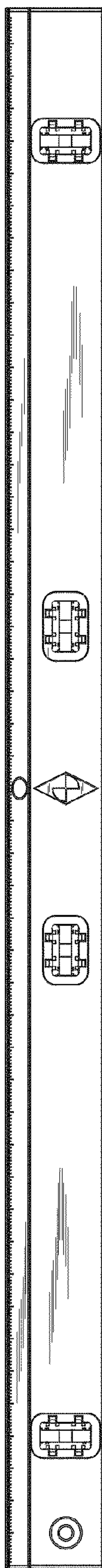


FIG. 2



FIG. 3

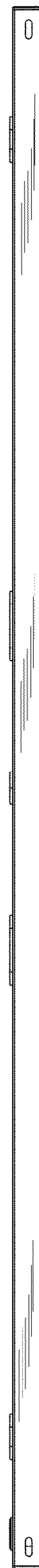


FIG. 4

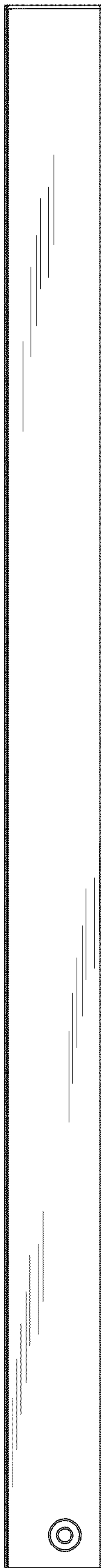


FIG. 5

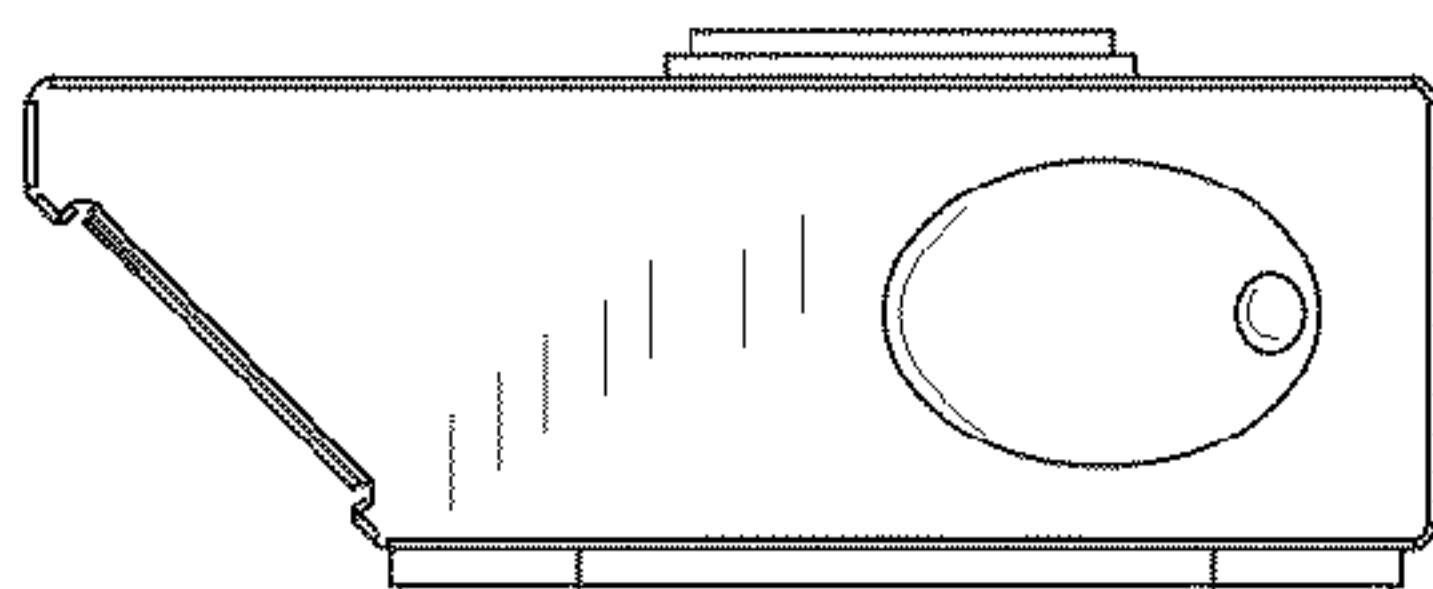


FIG. 6

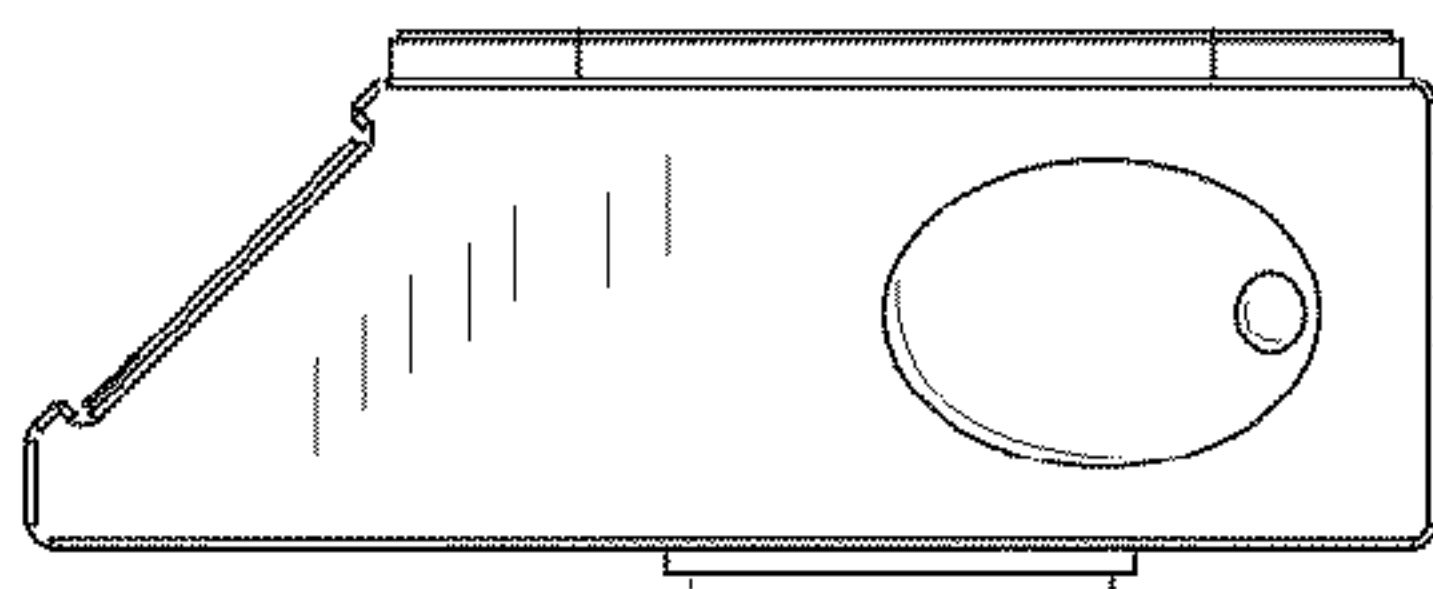


FIG. 7