



US00D627663S

(12) **United States Design Patent**  
**Kruetzkamp et al.**

(10) **Patent No.:** **US D627,663 S**

(45) **Date of Patent:** **\*\* Nov. 23, 2010**

(54) **COSMETIC PACKAGE**

(75) Inventors: **Gina Marie Kruetzkamp**, Milford, OH (US); **Graham Clive Hufton**, New York, NY (US); **Ian Andrew Carnduff**, New York, NY (US)

(73) Assignee: **The Procter & Gamble Company**, Cincinnati, OH (US)

(\*\*) Term: **14 Years**

(21) Appl. No.: **29/355,792**

(22) Filed: **Feb. 13, 2010**

(51) **LOC (9) Cl.** ..... **09-01**

(52) **U.S. Cl.** ..... **D9/687**

(58) **Field of Classification Search** ..... D9/682-694,  
D9/516-575, 434-436, 447-450; D28/5,  
D28/76, 77, 85, 91.1; 222/129, 135, 153.01,  
222/153.03, 153.04, 153.09, 153.11-153.14,  
222/182, 183, 631, 635, 209-213, 215, 321.7-321.9,  
222/372, 373, 378, 379, 383.1, 384-386,  
222/398, 400.7, 400.8, 401, 402.1-402.25;  
215/379, 385; 220/660, 669, 662, 665  
See application file for complete search history.

(56) **References Cited**

**U.S. PATENT DOCUMENTS**

D236,684 S \* 9/1975 Hebblewaite ..... D9/690  
D260,605 S \* 9/1981 Saunders ..... D9/686  
4,371,087 A \* 2/1983 Saujet ..... 215/12.1  
4,773,562 A \* 9/1988 Gueret ..... 222/135  
D299,694 S \* 2/1989 Geiger ..... D9/686  
D303,927 S \* 10/1989 Weber ..... D9/521  
D310,480 S \* 9/1990 Geiger ..... D9/689

D317,407 S \* 6/1991 Gray et al. .... D9/529  
5,249,713 A \* 10/1993 Reich et al. .... 222/321.8  
D369,098 S \* 4/1996 Dinand ..... D9/686

(Continued)

**FOREIGN PATENT DOCUMENTS**

CN 003577019 11/2006

(Continued)

**OTHER PUBLICATIONS**

Photographs of packaging and product description for: Avon Anew Ultimate, Elixir Premium (5 pages), accessed online through www.gnpd.com, date published Dec. 16, 2009.\*

(Continued)

*Primary Examiner*—Catherine Tuttle

(74) *Attorney, Agent, or Firm*—Megan C. Hymore; James C. Vago; Carl J. Roof

(57) **CLAIM**

The ornamental design for a cosmetic package, as shown and described.

**DESCRIPTION**

FIG. 1 is a perspective front view of a cosmetic package, embodying the new design;

FIG. 2 is a front view of the design shown in FIG. 1; and

FIG. 3 is a back view of the design shown in FIG. 1.

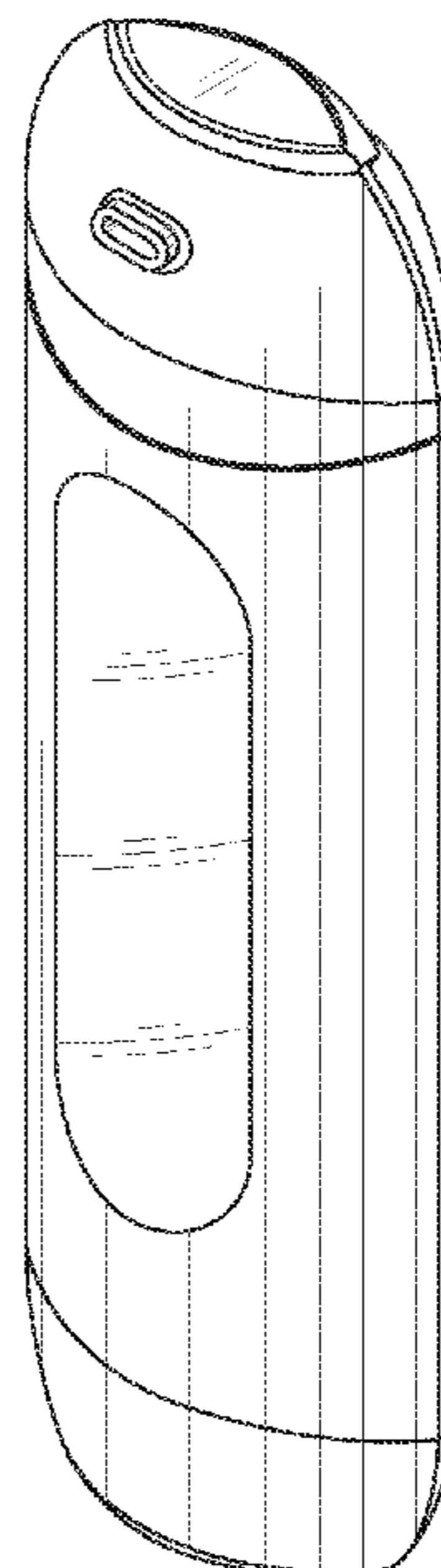
FIG. 4 is a right side view of the design shown in FIG. 1;

FIG. 5 is a left side view of the design shown in FIG. 1;

FIG. 6 is a top view of the design shown in FIG. 1; and,

FIG. 7 is a bottom view of the design shown in FIG. 1.

**1 Claim, 4 Drawing Sheets**



# US D627,663 S

Page 2

---

## U.S. PATENT DOCUMENTS

D401,501 S \* 11/1998 Nagayoshi ..... D9/688  
D460,694 S \* 7/2002 Llusca ..... D9/529  
D476,897 S \* 7/2003 Brozell ..... D9/521  
D531,040 S \* 10/2006 de Monclin ..... D9/529  
D532,695 S \* 11/2006 Grant ..... D9/521  
2008/0251547 A1 \* 10/2008 Ruiz de Gopegui et al. . 222/635

## FOREIGN PATENT DOCUMENTS

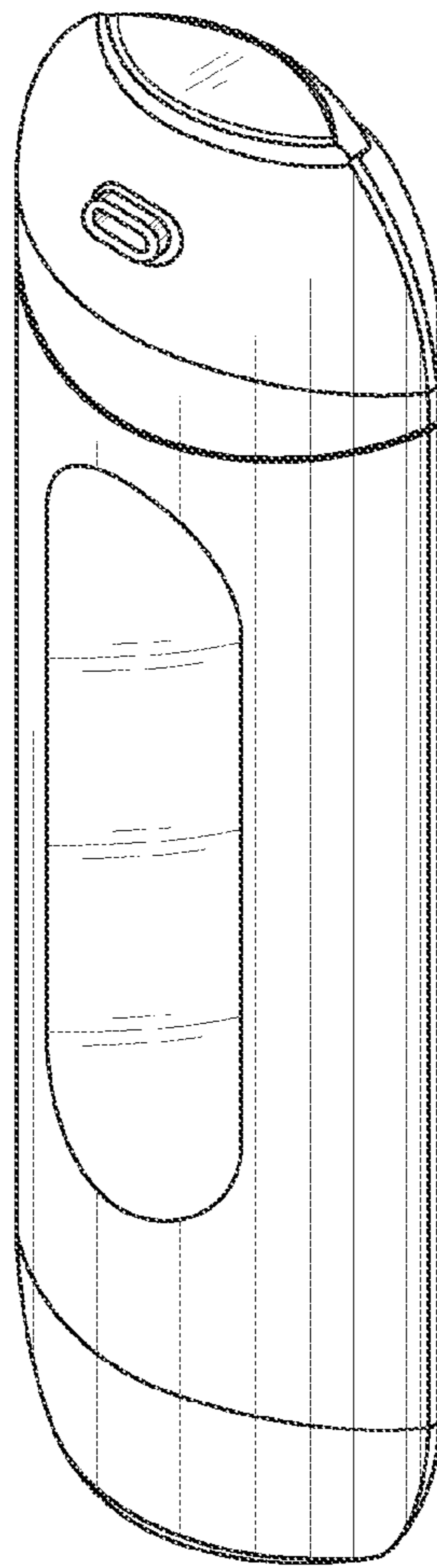
EM 000212576-0001 \* 11/2004  
EM 001005177.0001 10/2008  
GB 004003931 9/2007

KR 300441570 \* 3/2007  
KR 300519724 \* 2/2009  
WO D037191-001 \* 10/1996  
WO D043402-001 \* 5/1998  
WO D060650-001 \* 8/2002  
WO D062529-005 \* 2/2003

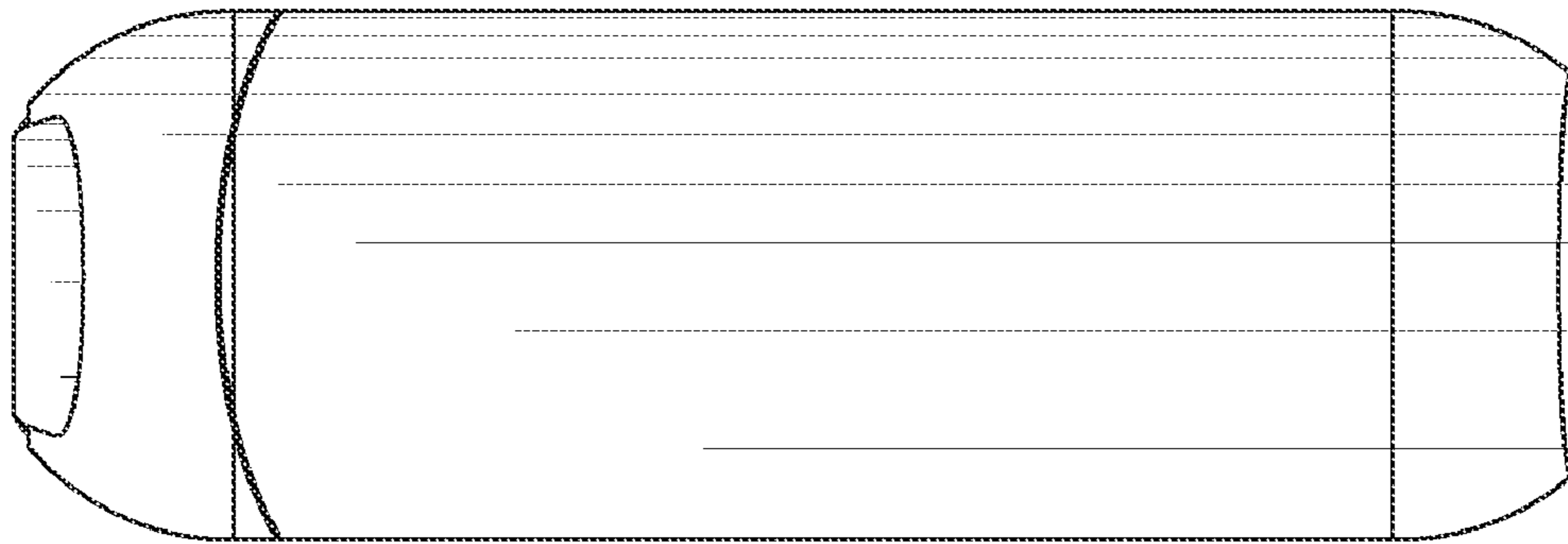
## OTHER PUBLICATIONS

Photographs of packaging and product description for: French Connection, Her Fragrance (1 page), accessed online through [www.gnpd.com](http://www.gnpd.com), date published Jan. 27, 2005.\*

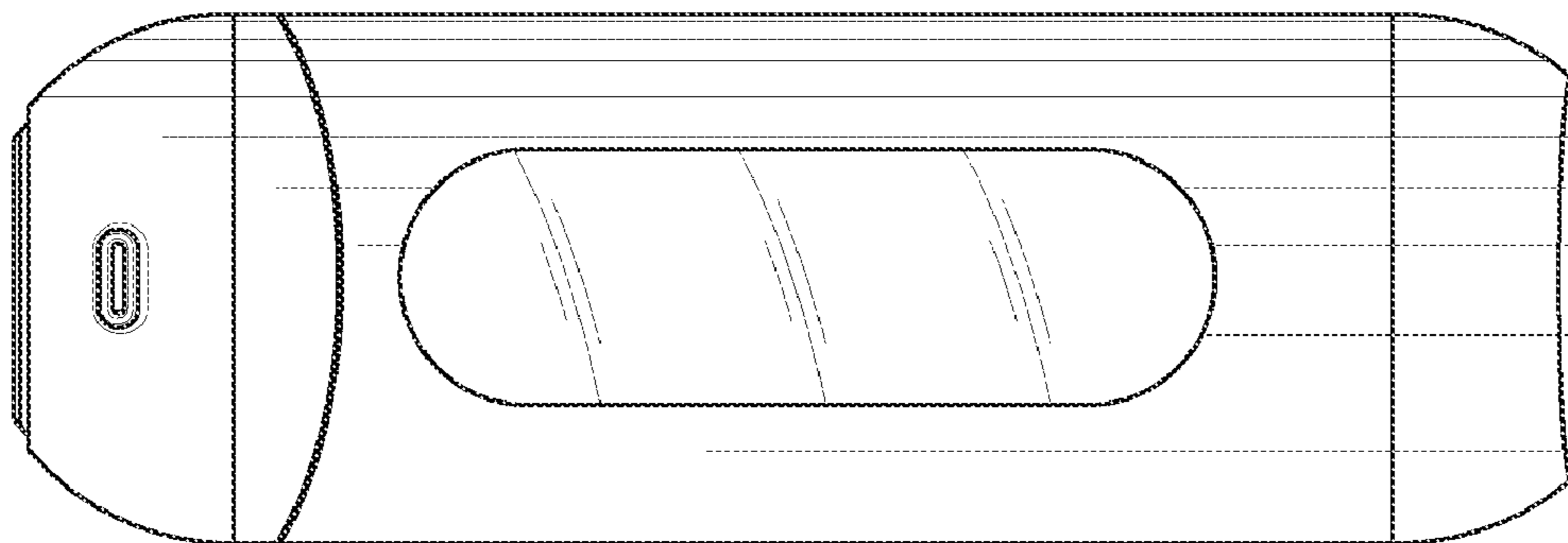
\* cited by examiner



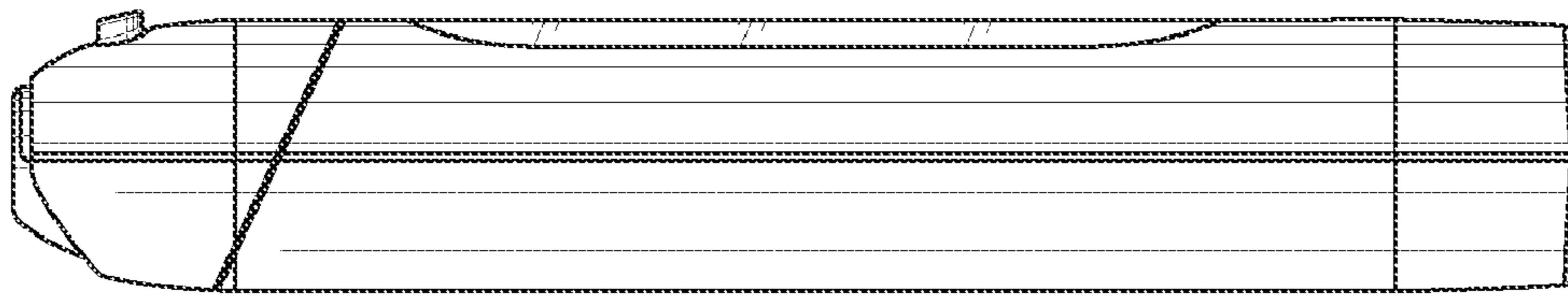
*Fig. 1*



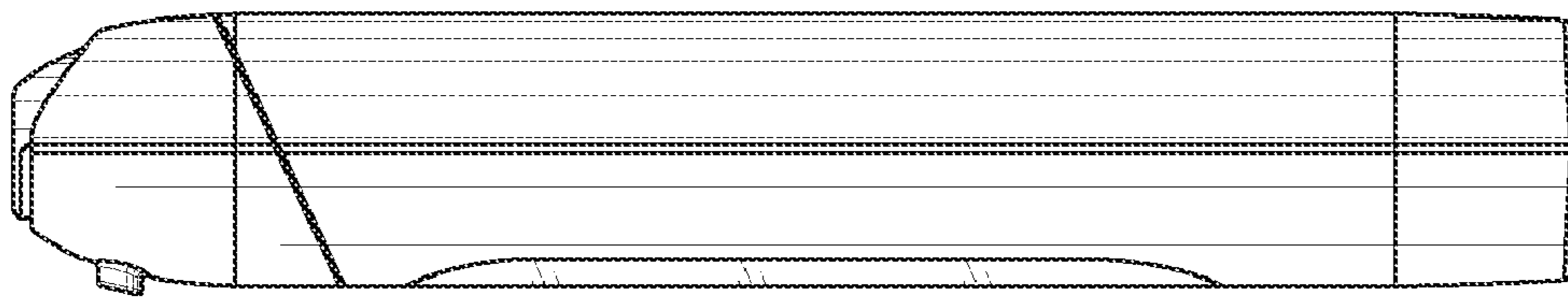
*Fig. 3*



*Fig. 2*



*Fig. 5*



*Fig. 4*

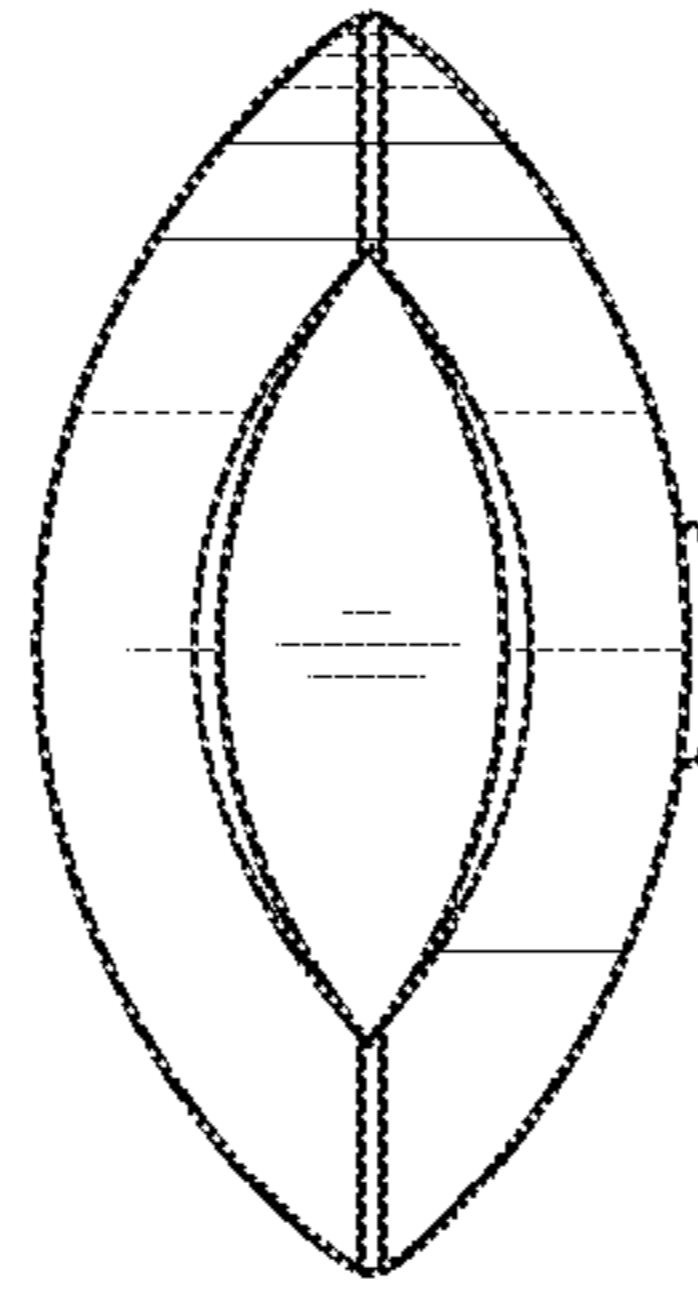


Fig. 7

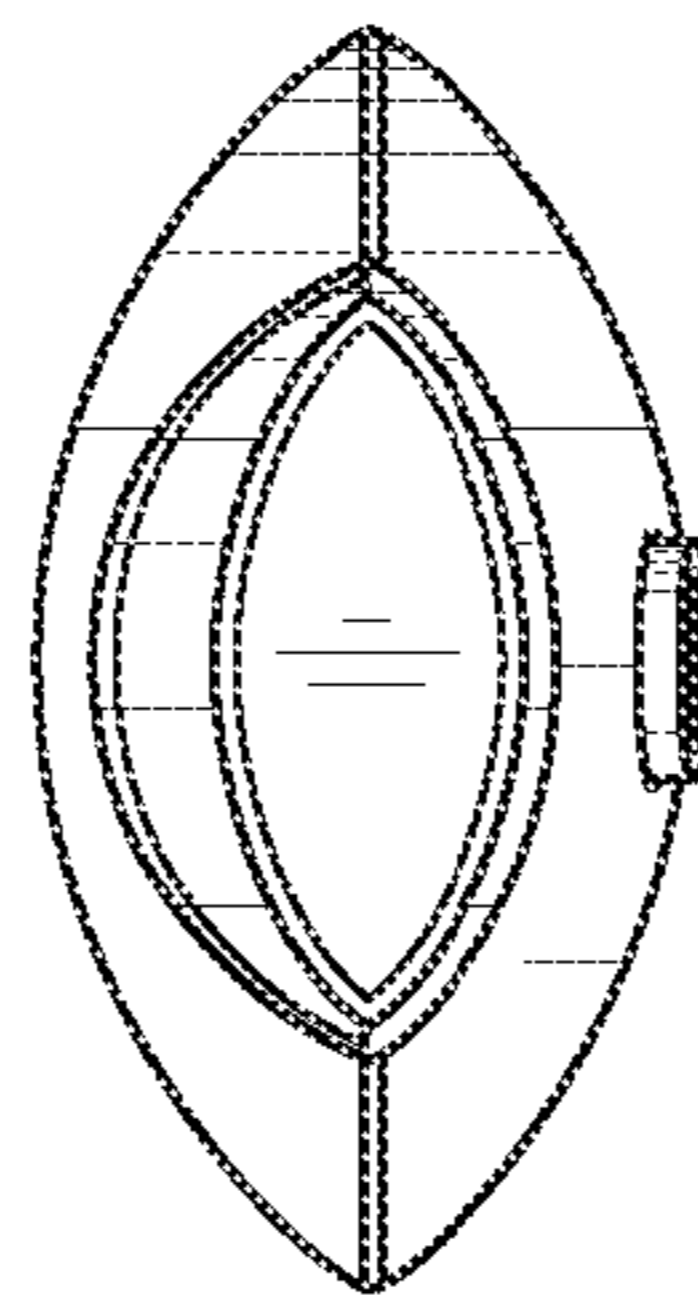


Fig. 6