



US00D627659S

(12) **United States Design Patent**  
**El Aquah**

(10) **Patent No.:** **US D627,659 S**

(45) **Date of Patent:** **\*\* \*Nov. 23, 2010**

(54) **BOTTLE**

(75) Inventor: **Salah El Aquah, Sadat (EG)**

(73) Assignee: **PepsiCo, Inc., Purchase, NY (US)**

(\*\*) Term: **14 Years**

(21) Appl. No.: **29/358,237**

(22) Filed: **Mar. 24, 2010**

**Related U.S. Application Data**

(62) Division of application No. 29/332,904, filed on Feb. 27, 2009.

(51) **LOC (9) Cl.** ..... **09-01**

(52) **U.S. Cl.** ..... **D9/553; D9/556; D9/557**

(58) **Field of Classification Search** ..... D9/500,  
D9/502, 516, 520, 545, 546, 549, 550, 551,  
D9/553, 556, 557, 558, 563, 564, 565, 566,  
D9/569, 570, 571, 574; 215/381-385

See application file for complete search history.

(56) **References Cited**

**U.S. PATENT DOCUMENTS**

D238,754 S *	2/1976	Frahm .....	D9/500
D326,051 S *	5/1992	Frahm .....	D9/558
D400,794 S *	11/1998	Takeuchi et al. ....	D9/532
D403,243 S *	12/1998	Takeuchi et al. ....	D9/532
D430,038 S *	8/2000	Young et al. ....	D9/549
D471,457 S *	3/2003	Deichler et al. ....	D9/502
D487,701 S *	3/2004	Thibodeau et al. ....	D9/531
6,932,228 B1 *	8/2005	Darr et al. ....	215/10
D537,348 S *	2/2007	Beck et al. ....	D9/520
D537,648 S *	3/2007	Moschini .....	D6/381
D542,142 S *	5/2007	Walton et al. ....	D9/539

D571,220 S *	6/2008	Pagliacci .....	D9/551
D584,954 S *	1/2009	Pagliacci .....	D9/545
2004/0065636 A1 *	4/2004	Thibodeau et al. ....	215/398

**FOREIGN PATENT DOCUMENTS**

EG	494/2007	6/2009
EG	495/2007	6/2009
TR	2007/01495	1/2007
TR	2007/03088	1/2007

\* cited by examiner

*Primary Examiner*—Stella M Reid

*Assistant Examiner*—Elizabeth J Oswecki

(74) *Attorney, Agent, or Firm*—Banner & Witcoff, Ltd.

(57) **CLAIM**

The ornamental design for a bottle, as shown and described.

**DESCRIPTION**

FIG. 1 is a top, perspective view of a bottle showing my new design;

FIG. 2 is a front view thereof;

FIG. 3 is a left side view thereof;

FIG. 4 is a rear view thereof;

FIG. 5 is a right side view thereof;

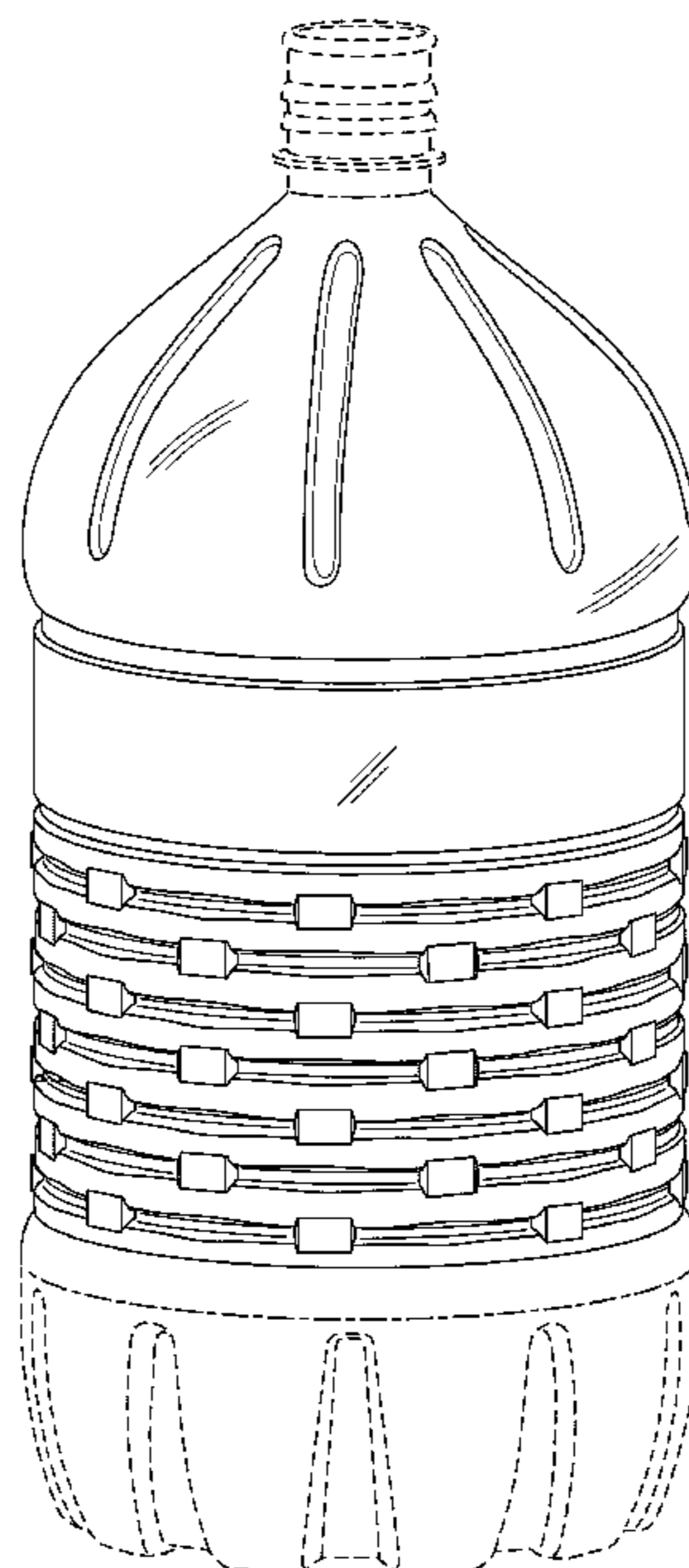
FIG. 6 is a top view thereof;

FIG. 7 is a bottom view thereof; and,

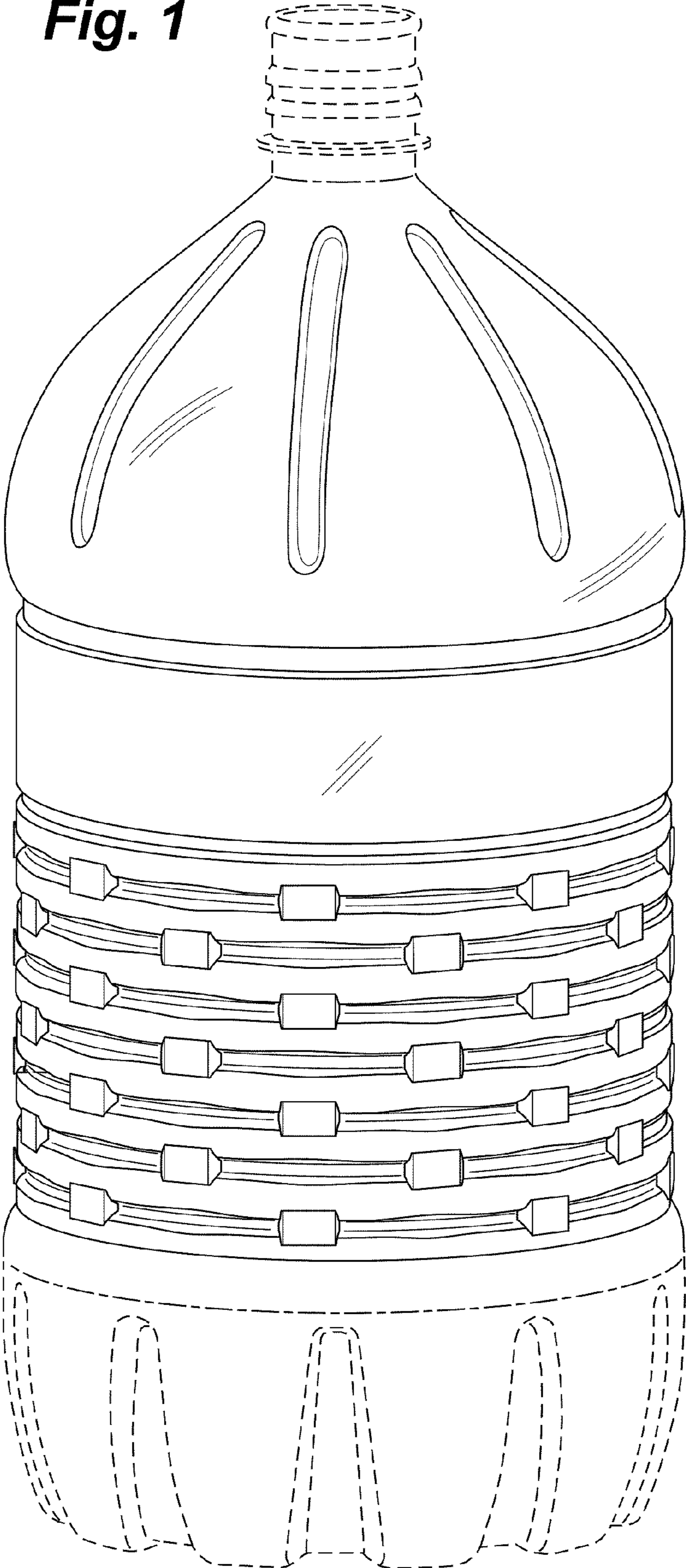
FIG. 8 is a bottom perspective view thereof.

The uneven-length broken line showing represents unclaimed boundaries of the claimed design. The even-length broken line showing represents environmental structure and forms no part of the claimed design.

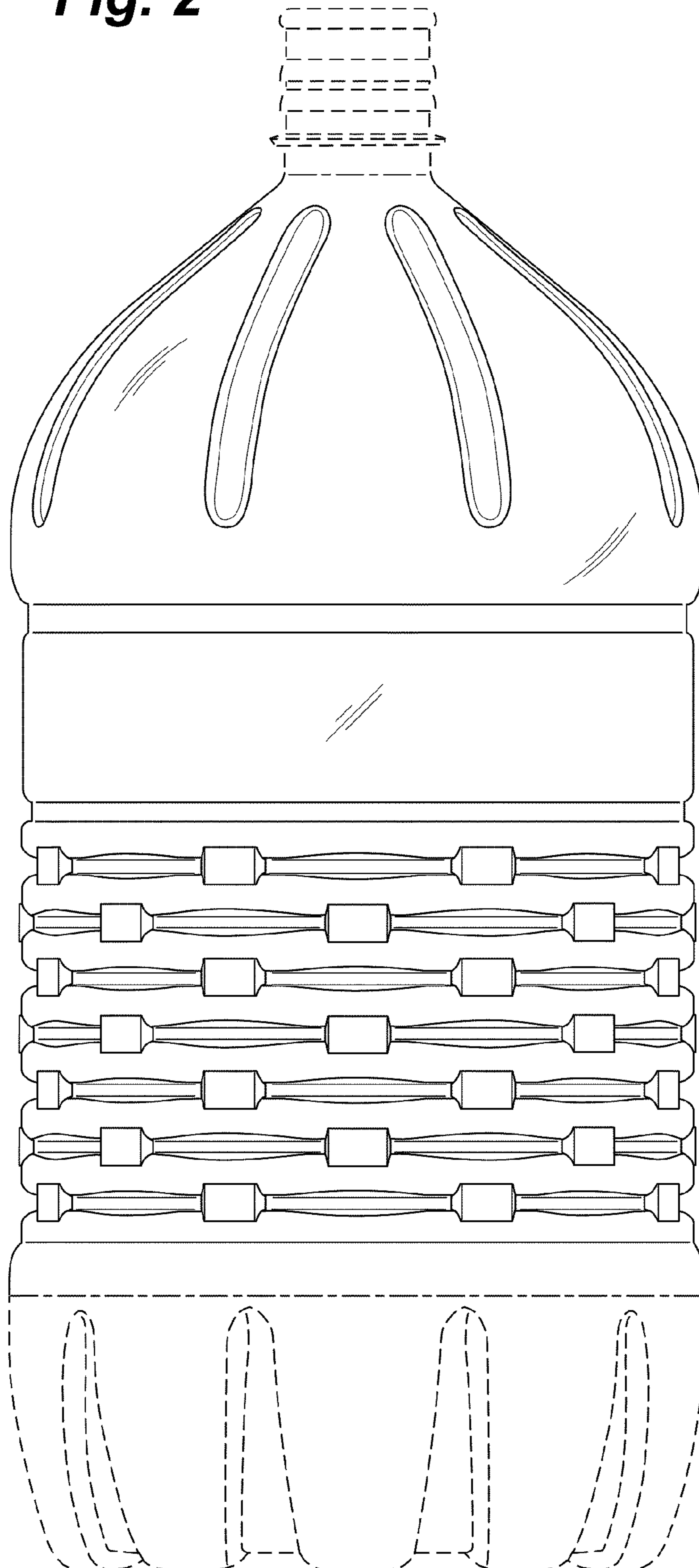
**1 Claim, 7 Drawing Sheets**



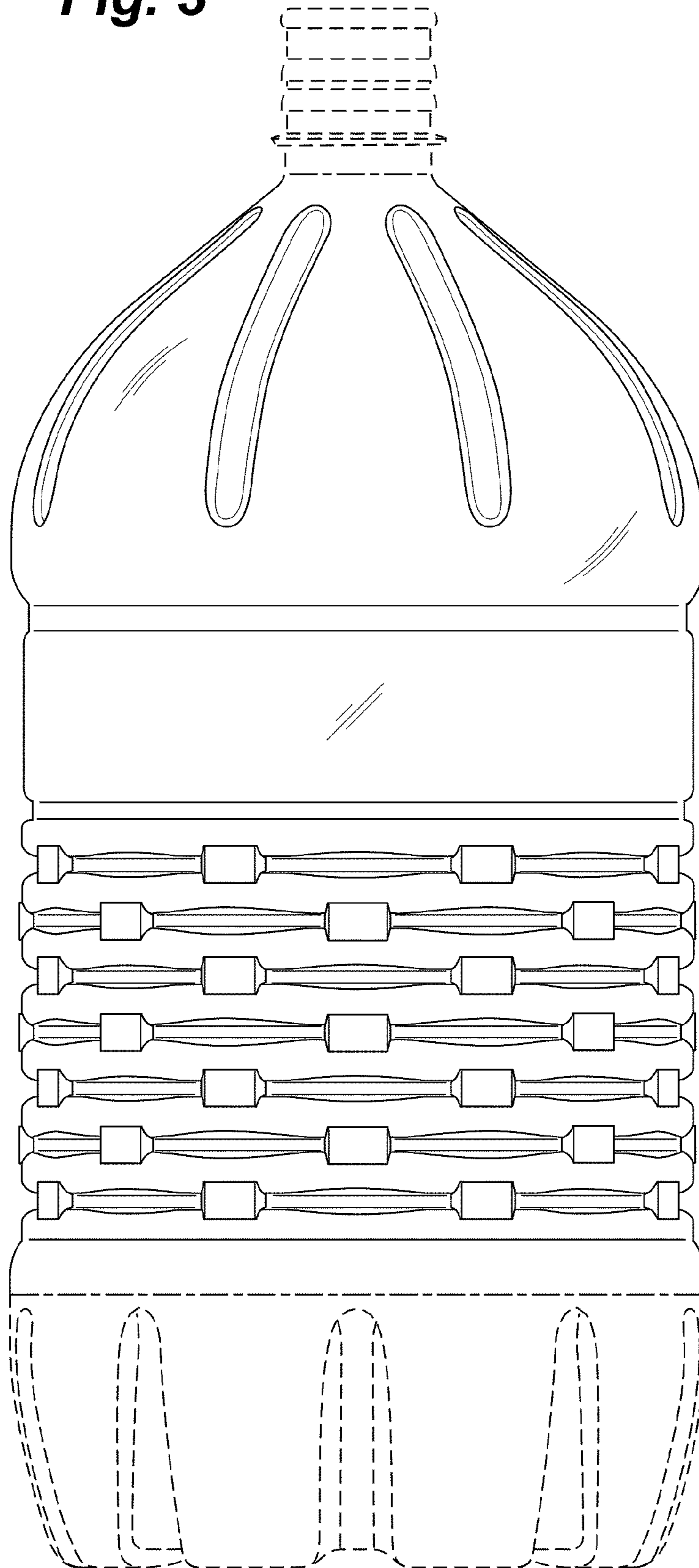
**Fig. 1**



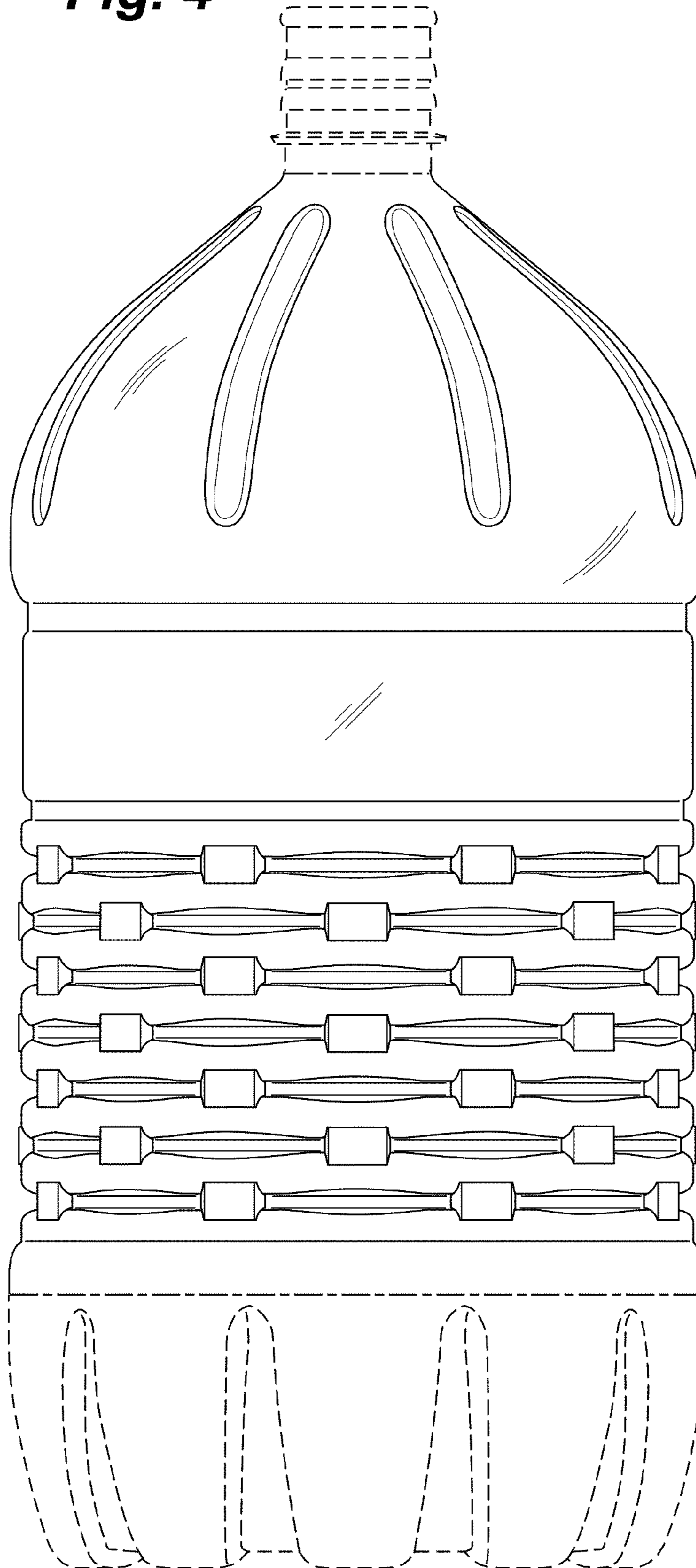
**Fig. 2**



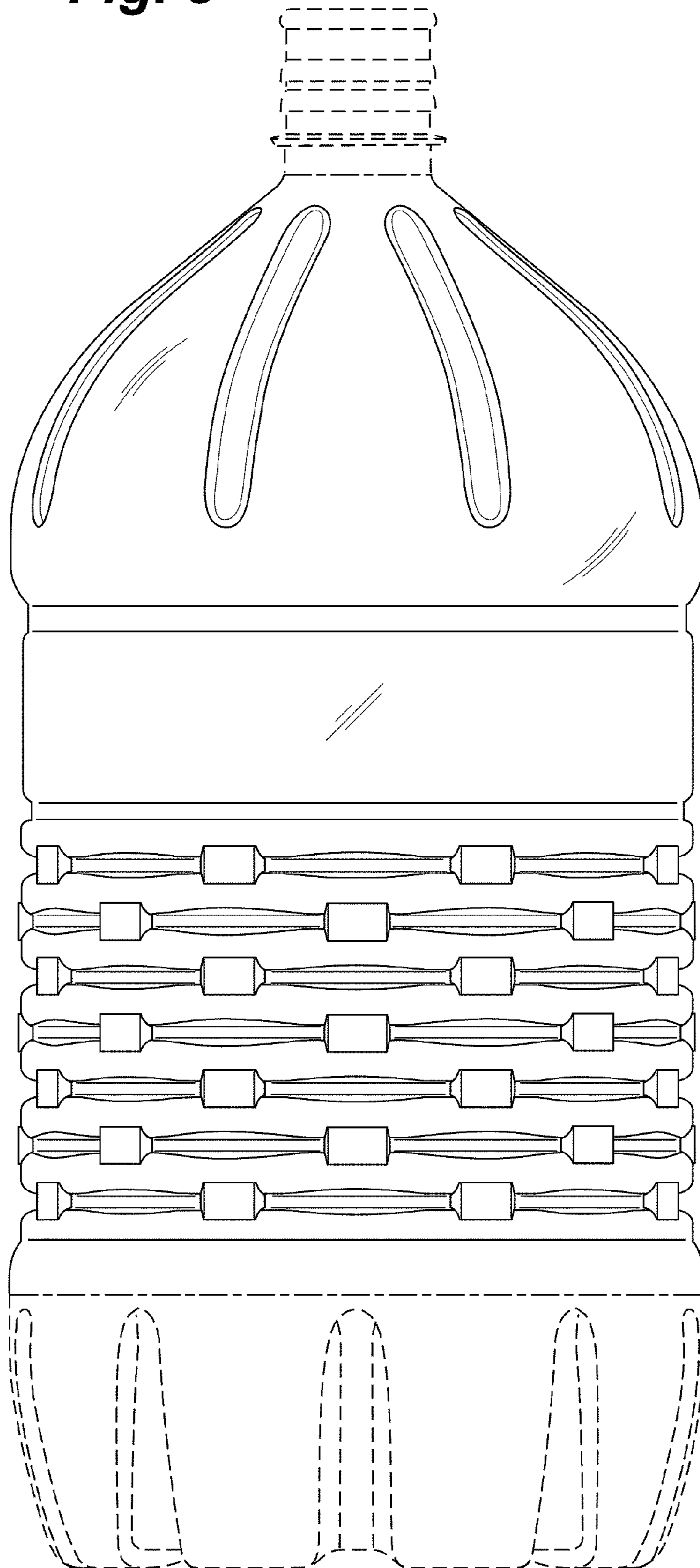
**Fig. 3**



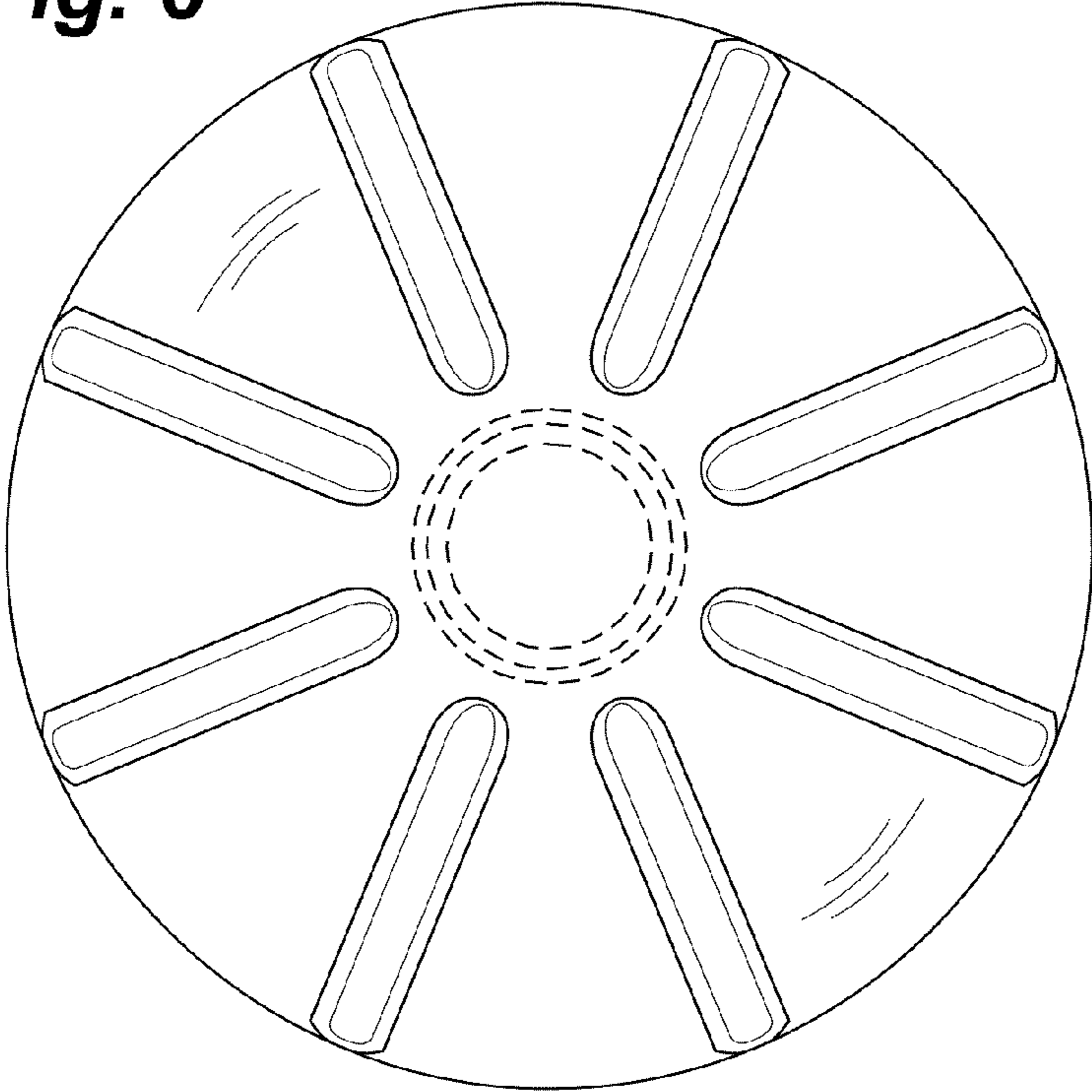
**Fig. 4**



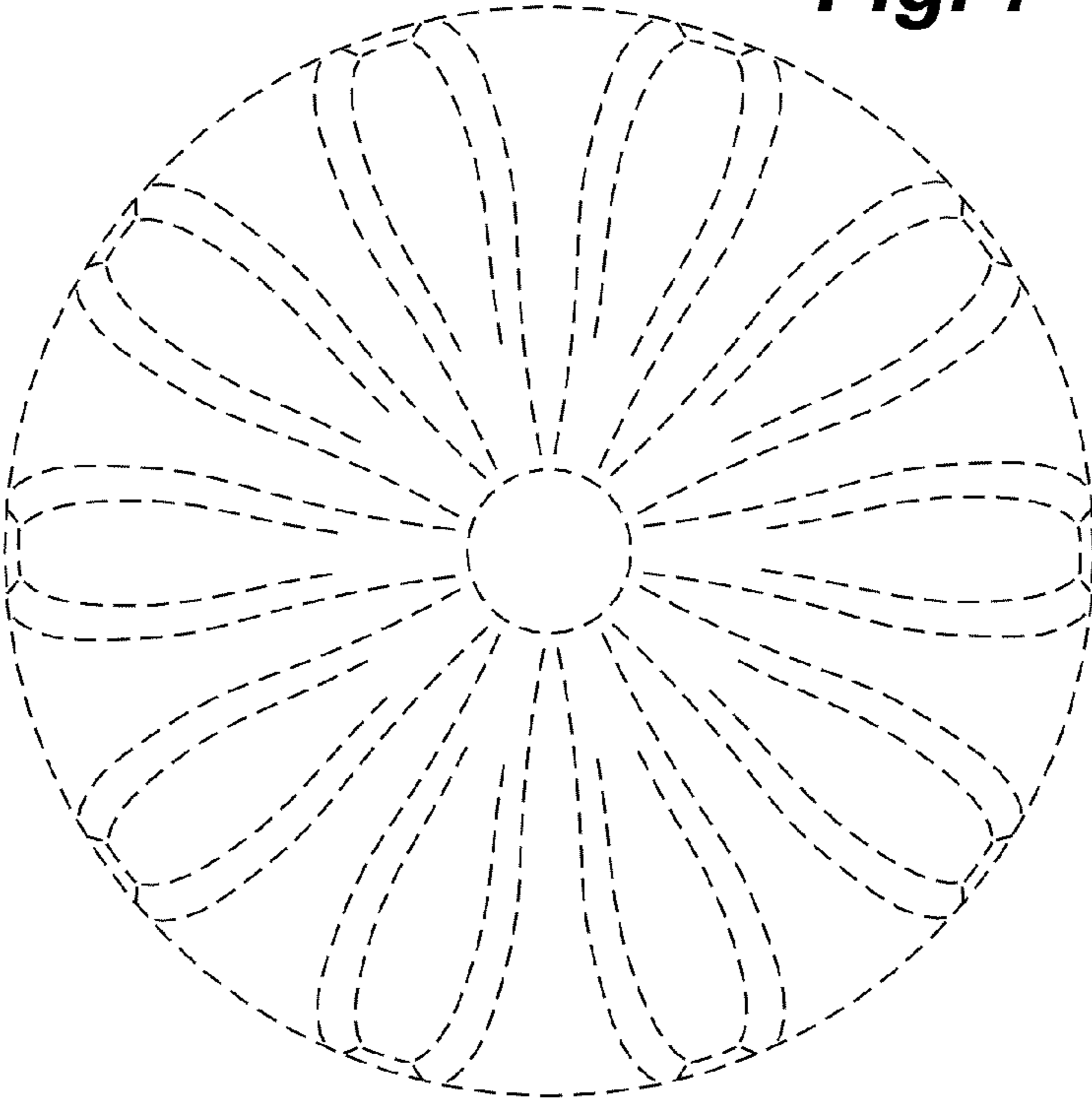
**Fig. 5**



**Fig. 6**



**Fig. 7**



**Fig. 8**

