



US00D627657S

(12) **United States Design Patent**  
**Vogler**

(10) **Patent No.:** **US D627,657 S**  
(45) **Date of Patent:** **\*\* Nov. 23, 2010**

(54) **JAR**  
(75) Inventor: **Christian Vogler**, Munster (DE)  
(73) Assignee: **BruniGlass S.p.A.**, Trezzano Sul Naviglio (MI) (IT)  
(\*\*) Term: **14 Years**

D468,209 S \* 1/2003 Joubert ..... D9/529  
D478,819 S \* 8/2003 Pfaeffli et al. .... D9/559  
D496,286 S \* 9/2004 Krunas ..... D9/572  
D498,424 S \* 11/2004 Moretti ..... D9/560  
D500,448 S \* 1/2005 Krunas ..... D9/572  
D540,688 S \* 4/2007 Lascaux ..... D9/560  
D547,193 S \* 7/2007 Blasko et al. .... D9/529  
D611,354 S \* 3/2010 Usui et al. .... D9/529  
D613,177 S \* 4/2010 Lee ..... D9/560

(21) Appl. No.: **29/354,553**  
(22) Filed: **Jan. 26, 2010**

\* cited by examiner

(30) **Foreign Application Priority Data**  
Jul. 30, 2009 (EM) ..... 001155980

*Primary Examiner*—Stella M Reid  
*Assistant Examiner*—Elizabeth J Oswecki  
(74) *Attorney, Agent, or Firm*—Kirschstein, et al.

(51) **LOC (9) Cl.** ..... **09-01**  
(52) **U.S. Cl.** ..... **D9/544; D9/561; D9/520**  
(58) **Field of Classification Search** ..... D9/516,  
D9/520, 544, 559, 561, 566, 571, 572, 575;  
215/379, 381–385; 220/600, 602, 660, 662,  
220/665

(57) **CLAIM**

The ornamental design for a jar, as shown and described.

See application file for complete search history.

**DESCRIPTION**

(56) **References Cited**

FIG. 1 is a perspective view of a jar according to my new design;  
FIG. 2 is a top plan view thereof;  
FIG. 3 is a rear elevational view thereof;  
FIG. 4 is a left side elevational view thereof, the right side being a mirror image;  
FIG. 5 is a front elevational view thereof; and,  
FIG. 6 is a bottom plan view thereof.

**U.S. PATENT DOCUMENTS**

D88,110 S \* 10/1932 Scurlock ..... D9/522  
D88,850 S \* 1/1933 Babb et al. .... D9/520  
D115,068 S \* 5/1939 Jensen ..... D9/561  
D171,516 S \* 2/1954 Otto ..... D9/560  
D459,229 S \* 6/2002 Paul ..... D9/529

**1 Claim, 3 Drawing Sheets**

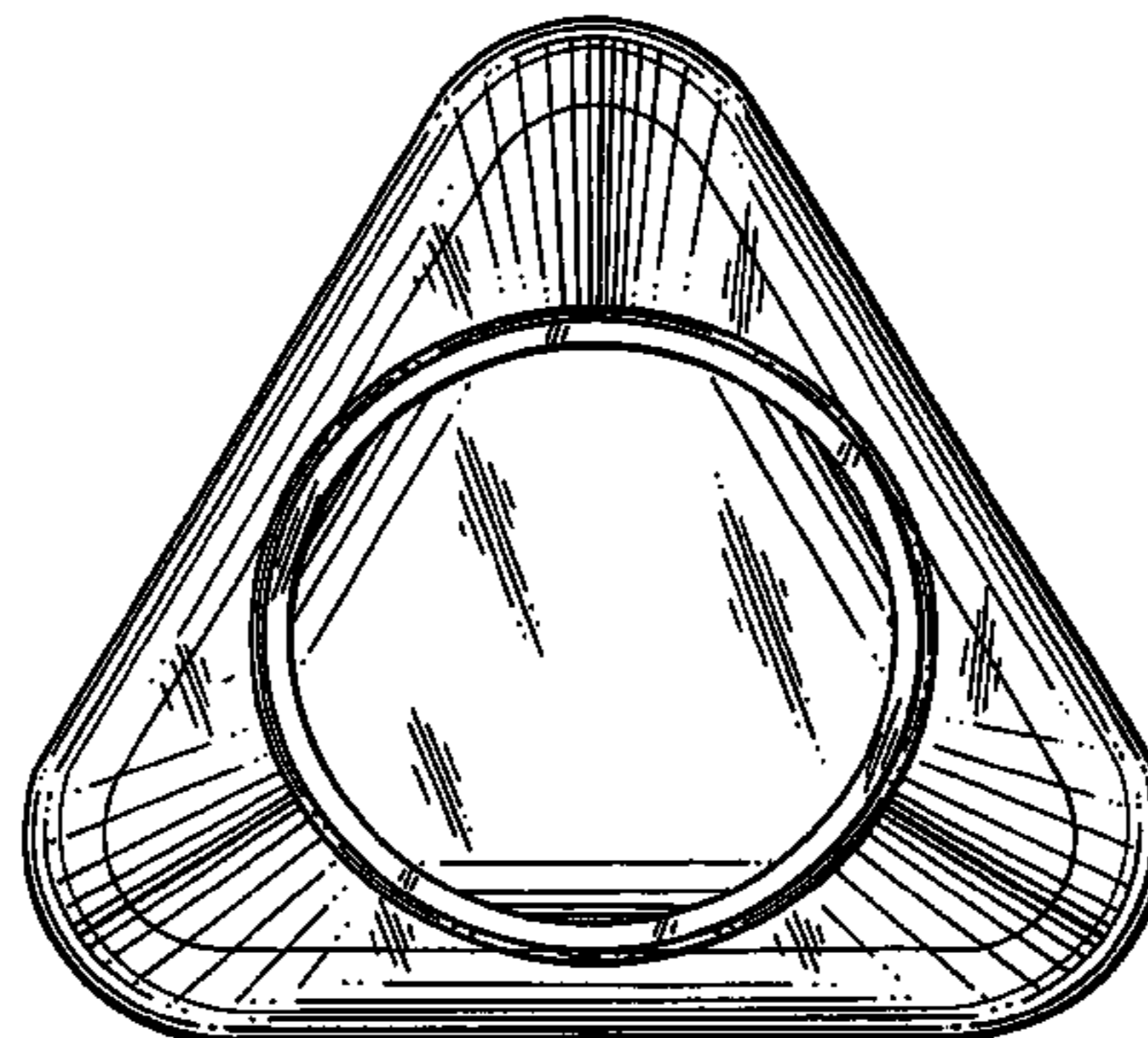
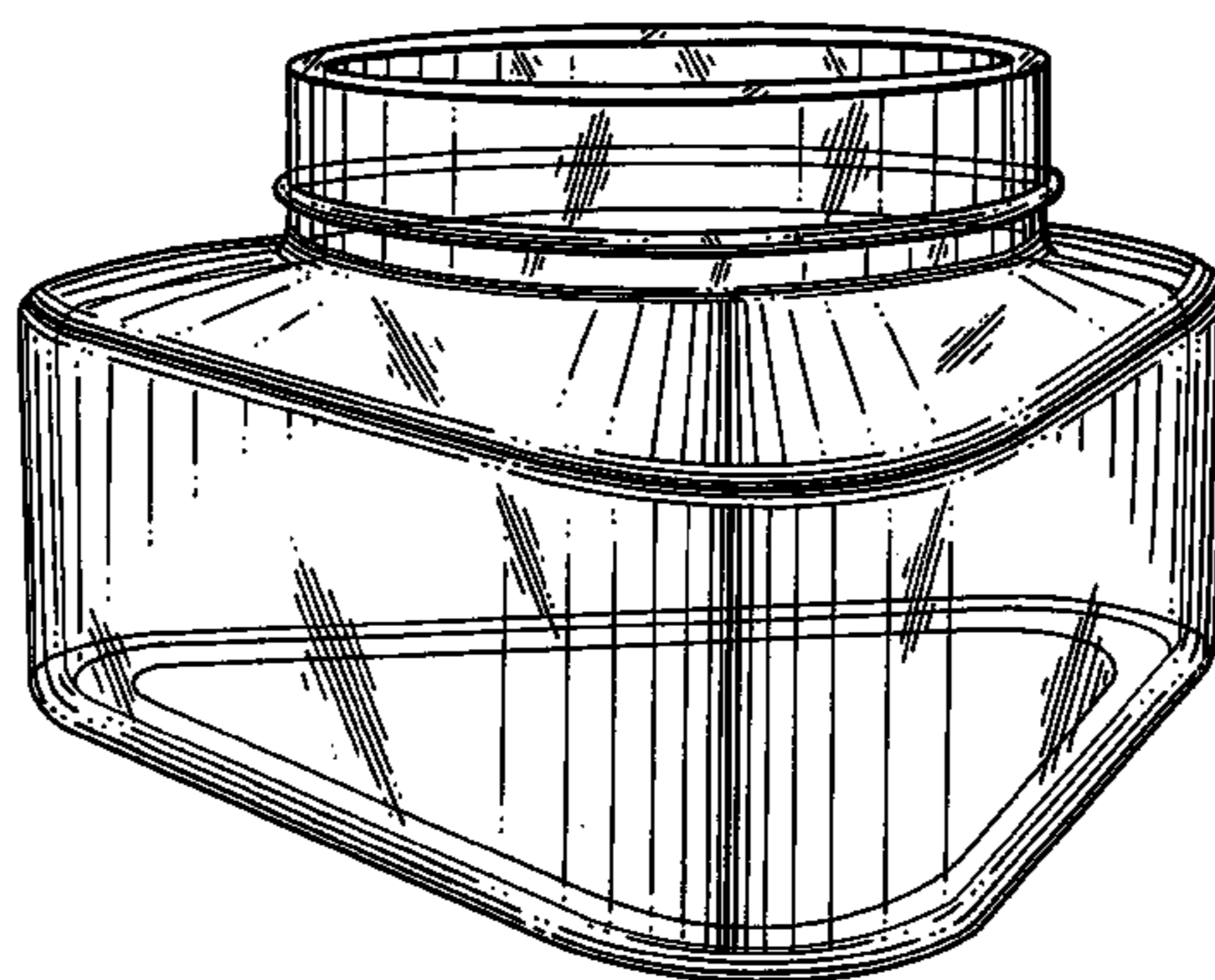


FIG. 1

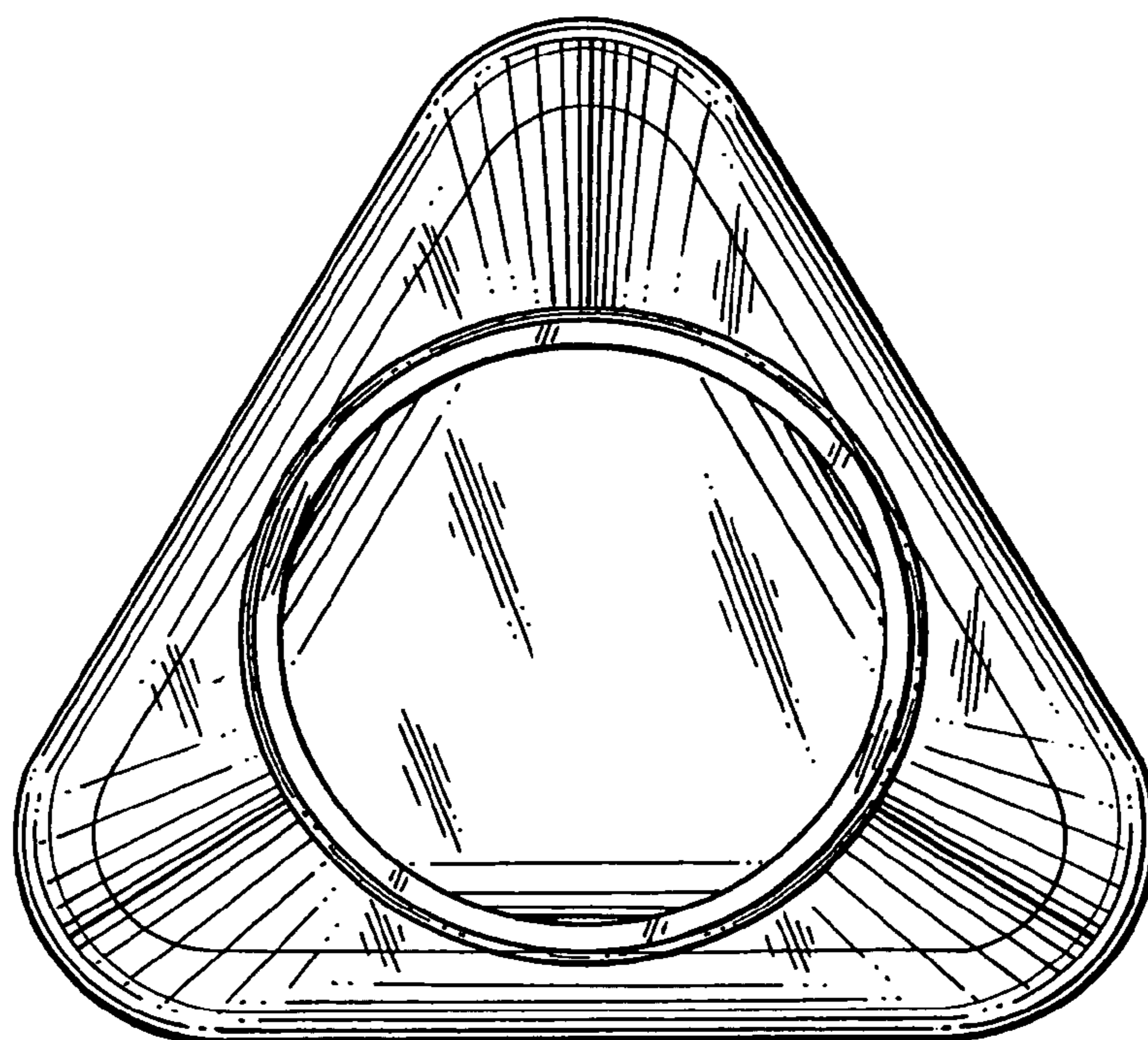
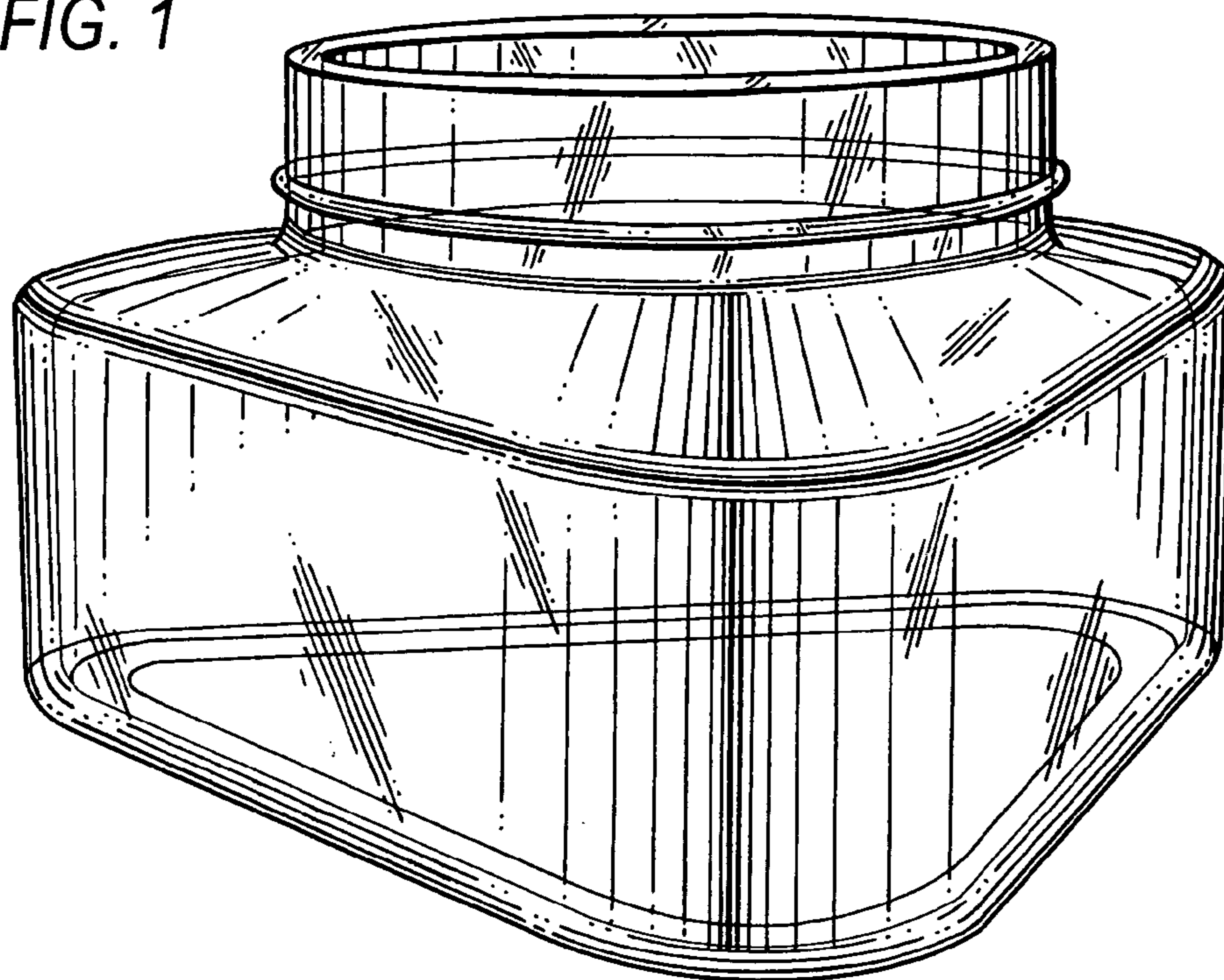


FIG. 2

FIG. 3

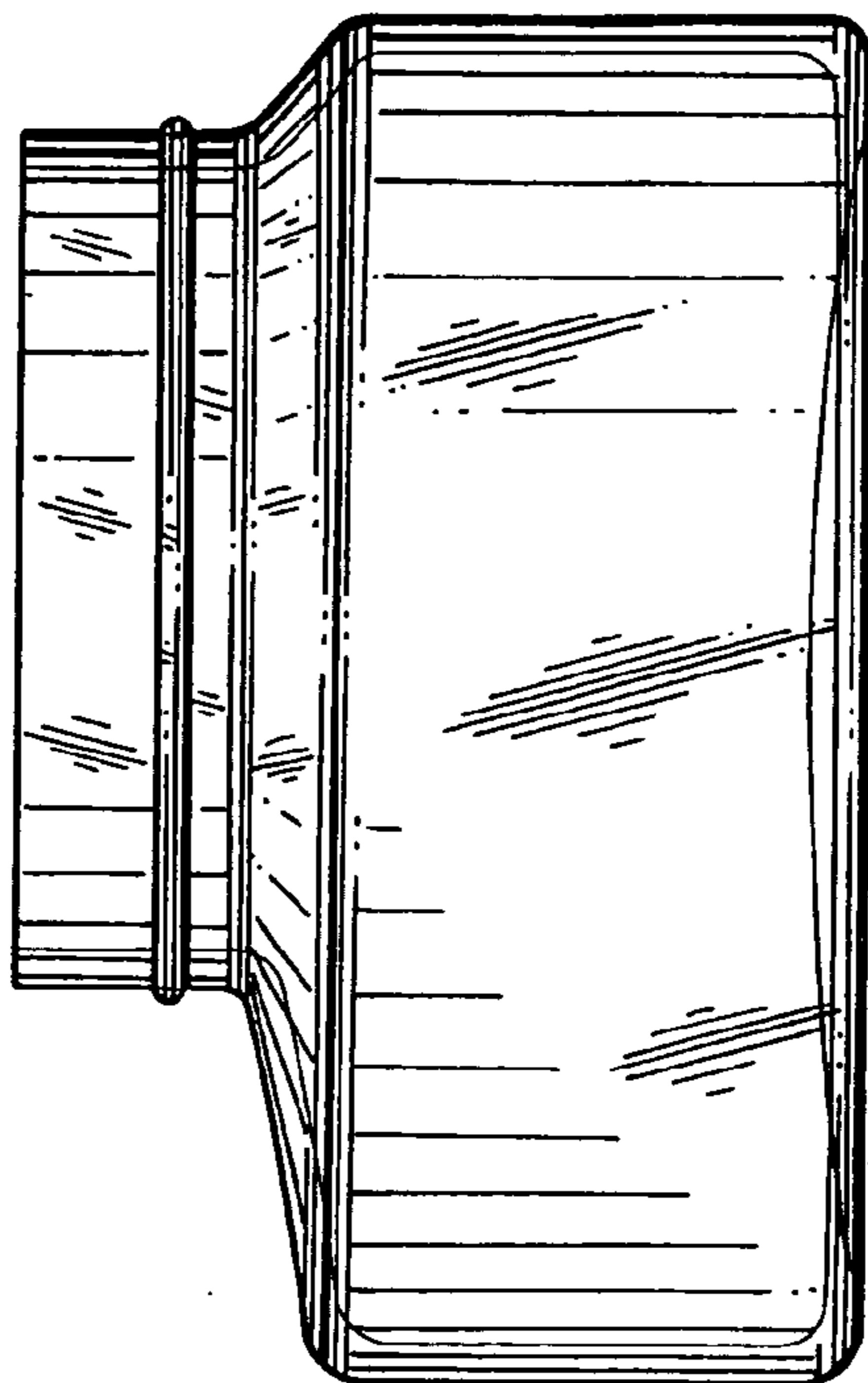
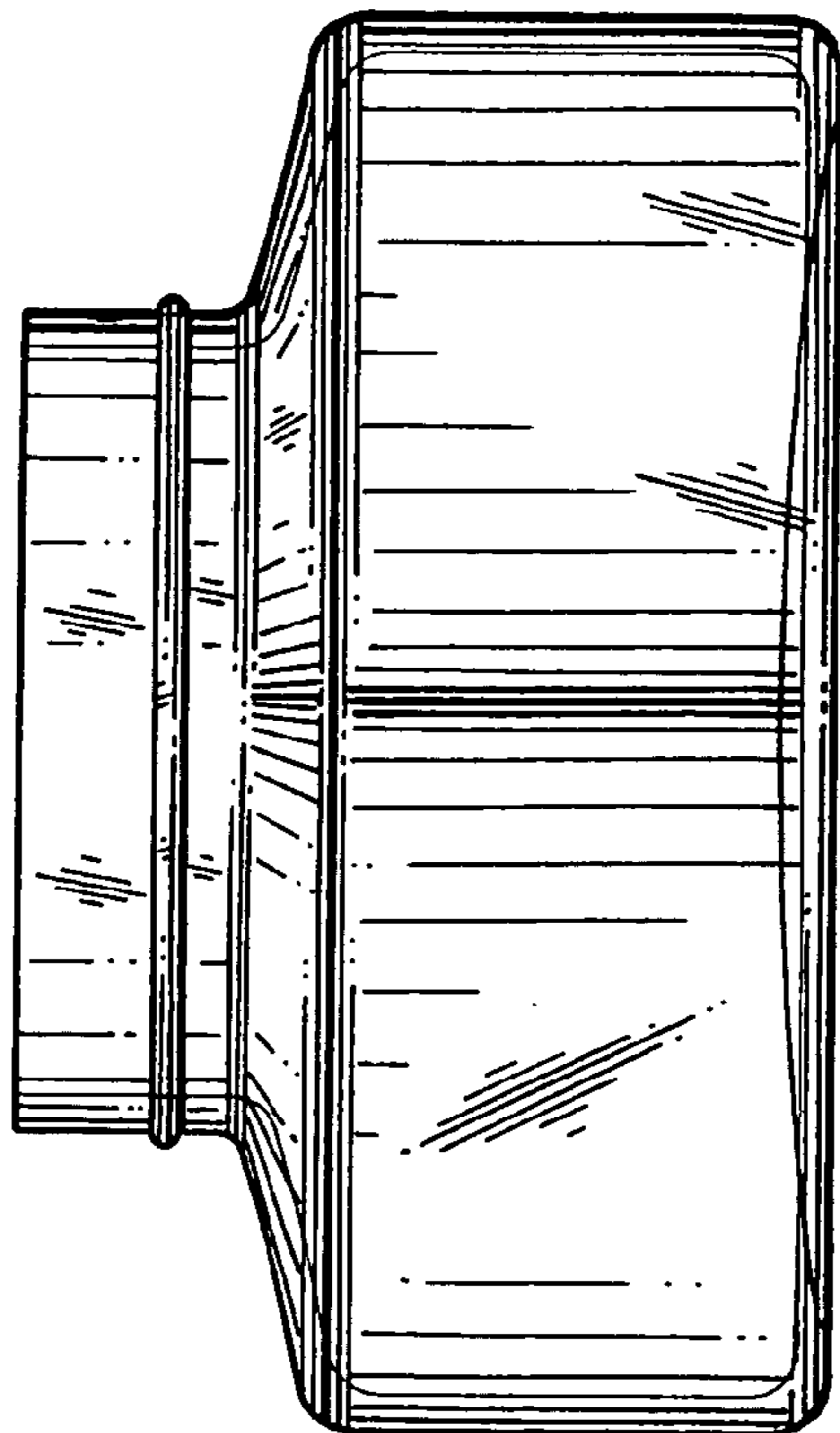


FIG. 4

FIG. 5

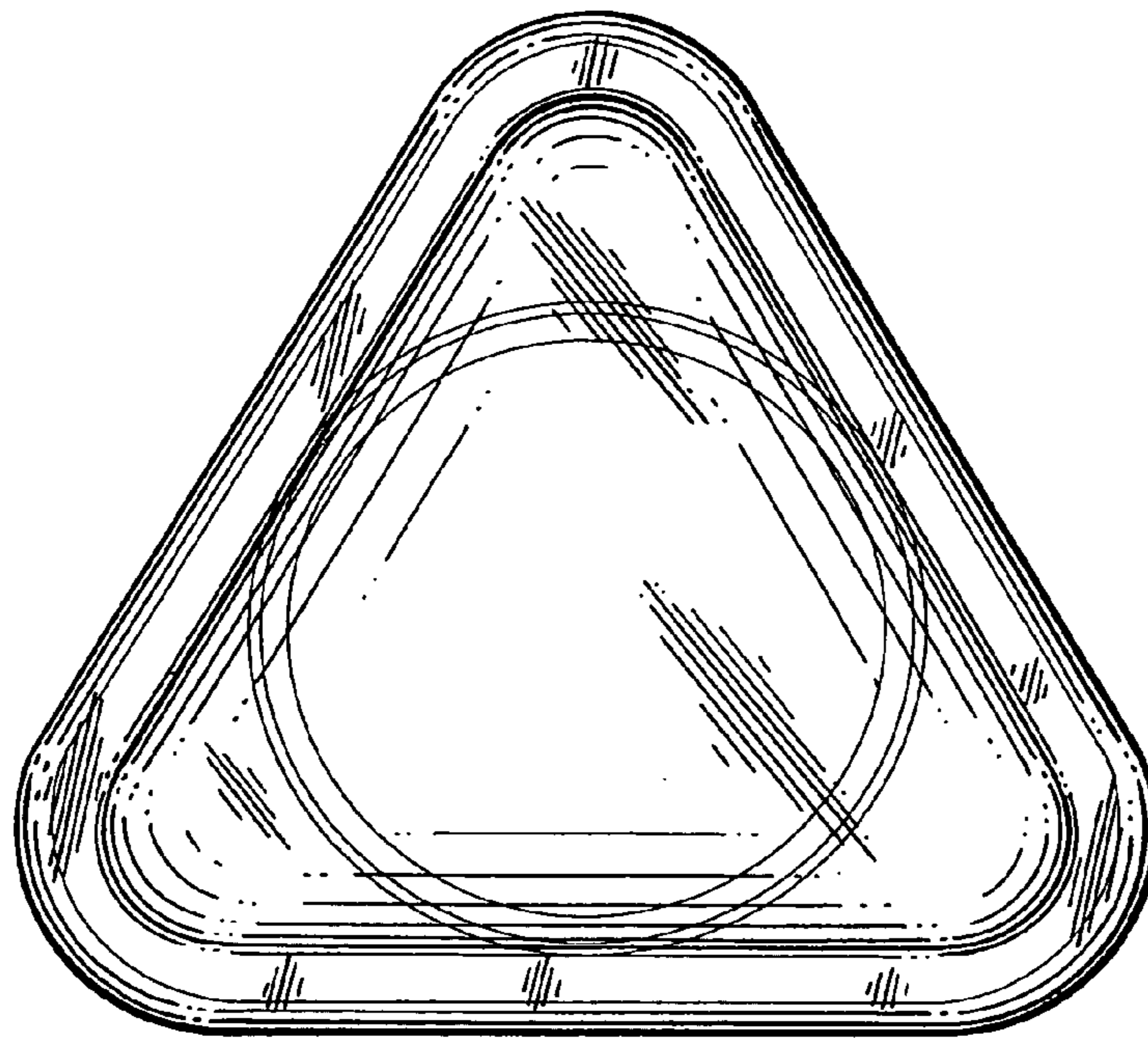
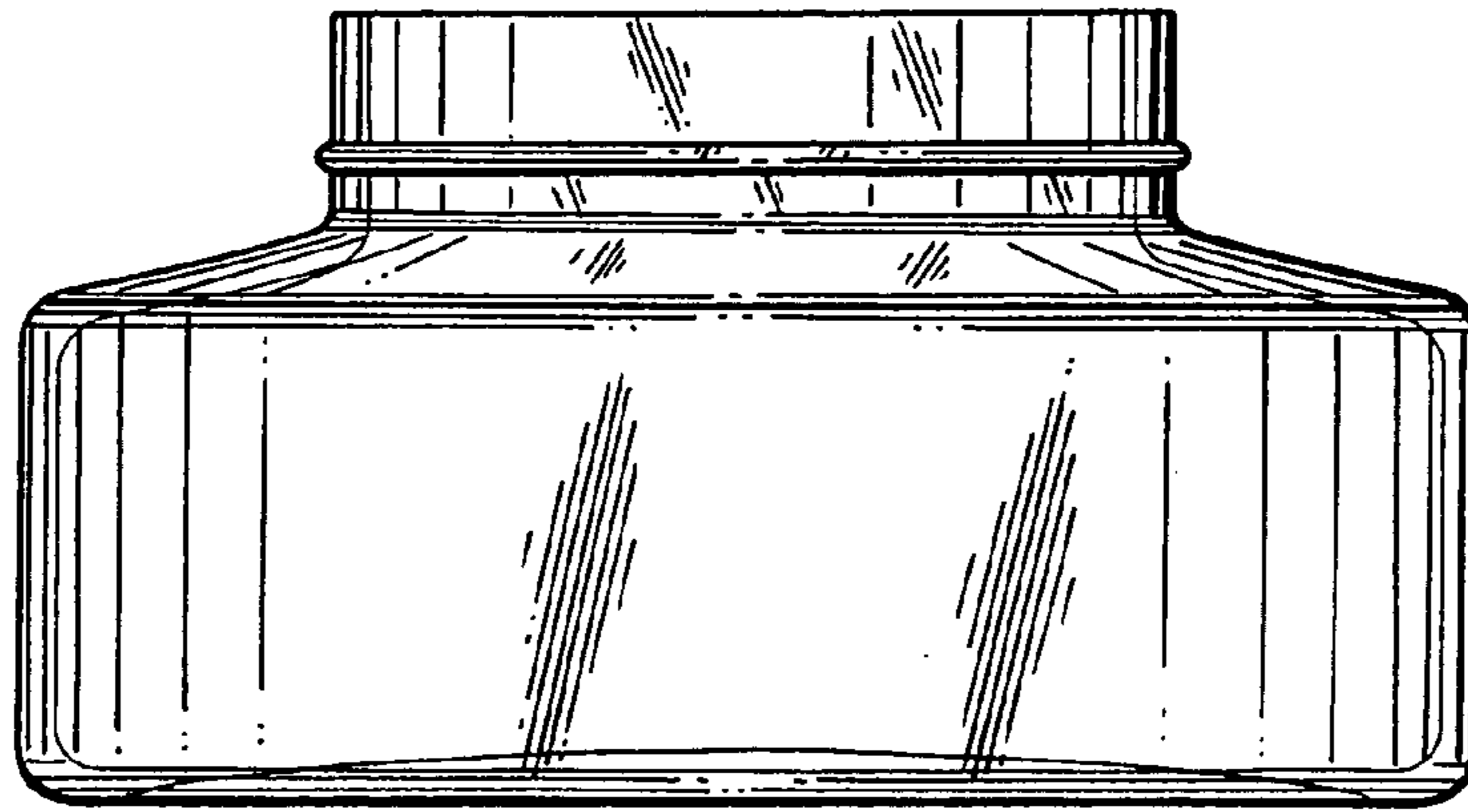


FIG. 6