

US00D627646S

(12) **United States Design Patent**
Li et al.

(10) **Patent No.:** **US D627,646 S**

(45) **Date of Patent:** **** Nov. 23, 2010**

(54) **PACKING CONTAINER**

(75) Inventors: **Qian Li**, Shenzhen (CN); **Jun Ma**,
Shenzhen (CN); **Xin-Yue He**, Shenzhen
(CN); **Wan-Ling Shih**, Taipei Hsien
(TW)

(73) Assignee: **Hon Hai Precision Industry Co., Ltd.**,
Tu-Cheng, Taipei Hsien (TW)

(**) Term: **14 Years**

(21) Appl. No.: **29/343,839**

(22) Filed: **Sep. 21, 2009**

(30) **Foreign Application Priority Data**

Apr. 13, 2009 (CN) 2009 3 0302694

(51) **LOC (9) Cl.** **09-07**

(52) **U.S. Cl.** **D9/456**

(58) **Field of Classification Search** D9/761,
D9/759, 756, 708, 709, 702, 456, 455, 454,
D9/453, 445, 443, 436, 435, 434; 53/412;
248/146; 229/120; 222/109; 220/4.23; 219/439;
215/305; 206/529, 427; D3/304, 295
See application file for complete search history.

(56) **References Cited**

U.S. PATENT DOCUMENTS

- D124,414 S * 12/1940 Shepard D9/456
- D228,446 S * 9/1973 Paone D9/456
- D231,421 S * 4/1974 Spydevold D9/456
- D234,752 S * 4/1975 Paone D9/456
- D235,737 S * 7/1975 Paone D9/456
- D240,117 S * 6/1976 Skamo D9/456
- D240,199 S * 6/1976 Perfect D9/456
- D242,291 S * 11/1976 Girding D24/226
- D244,580 S * 6/1977 Keough D9/456
- D244,581 S * 6/1977 Keough D9/456
- 4,034,908 A * 7/1977 Forbes et al. 229/120.08

- D247,739 S * 4/1978 Paone et al. D9/737
- D259,998 S * 7/1981 Wilkerson D9/424
- D259,999 S * 7/1981 Wilkerson D9/424
- D260,612 S * 9/1981 Wilkerson D9/424
- D260,613 S * 9/1981 Wilkerson D9/424
- D275,366 S * 9/1984 Maxwell D9/759
- D339,983 S * 10/1993 Breton et al. D9/456
- D400,441 S * 11/1998 Warren D9/456
- D492,195 S * 6/2004 Shabaz D9/737
- D510,704 S * 10/2005 Koizumi D9/456
- D516,907 S * 3/2006 Tada D9/424
- D523,338 S * 6/2006 Hoge et al. D9/456
- D587,110 S * 2/2009 Kronshage et al. D9/759
- D613,418 S * 4/2010 Ryan et al. D24/229

OTHER PUBLICATIONS

Anthony Wt Moore; Recycled Materials; Hong Kong Packaging;
2003/02; p. 28; vol. 2; Hong Kong Trade Development Council;
Hong Kong.

* cited by examiner

Primary Examiner—Susan Bennett Hattan

(74) *Attorney, Agent, or Firm*—Frank R. Niranjana

(57) **CLAIM**

The ornamental design for packing container, as shown.

DESCRIPTION

FIG. 1 is a perspective view of a packing container showing
my design;

FIG. 2 is an another perspective view thereof;

FIG. 3 is a front elevational view thereof;

FIG. 4 is a rear elevational view thereof;

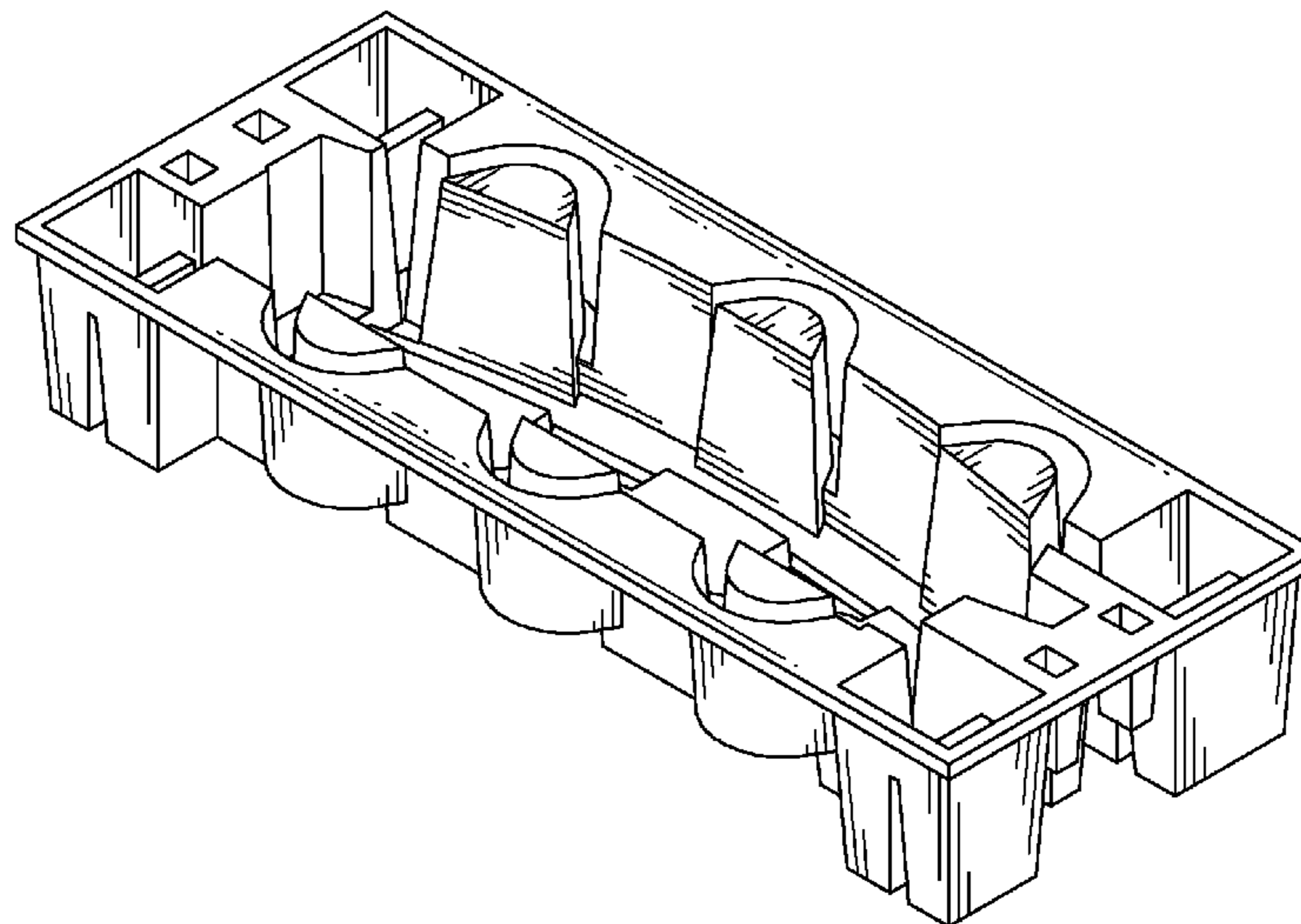
FIG. 5 is a left side, elevational view thereof;

FIG. 6 is a right side, elevational view thereof;

FIG. 7 is a top plan view thereof; and,

FIG. 8 is a bottom plan view thereof.

1 Claim, 8 Drawing Sheets



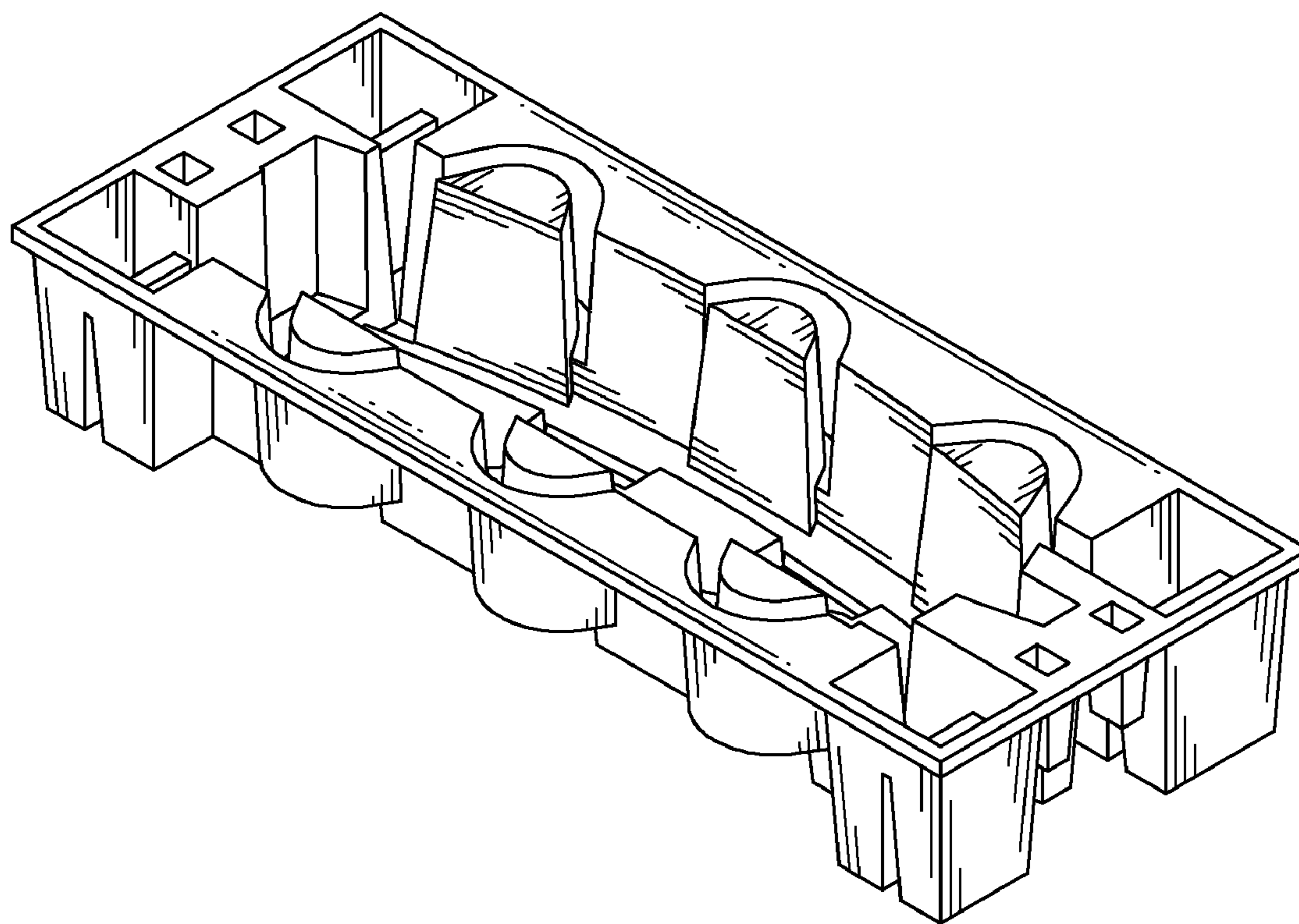


FIG. 1

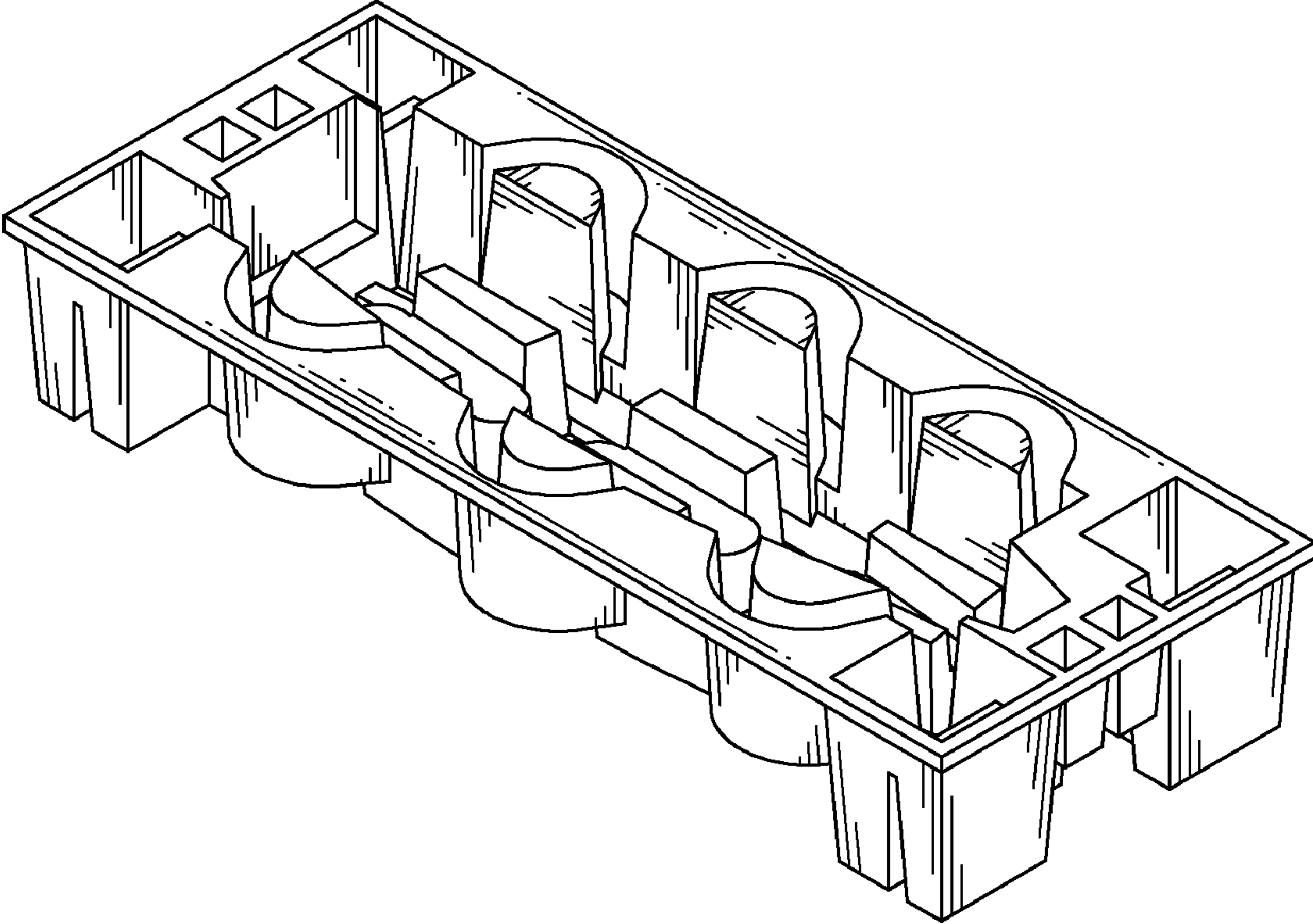


FIG. 2

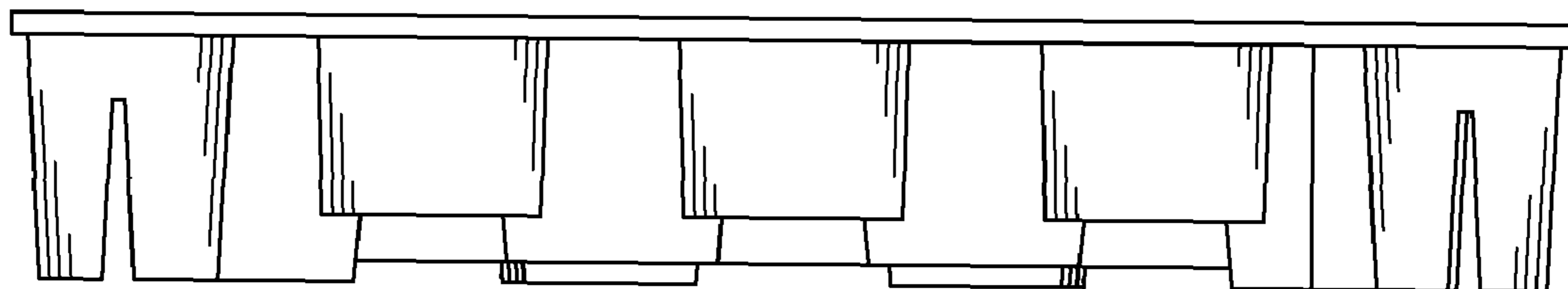


FIG. 3

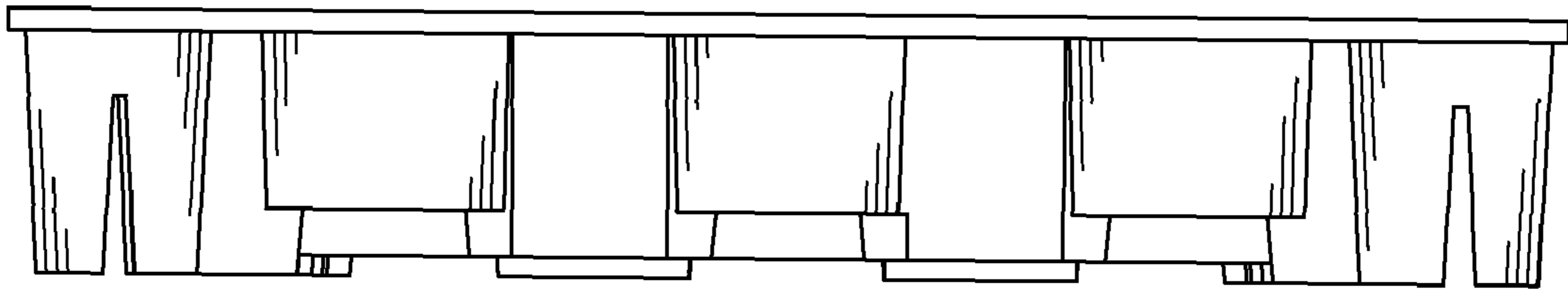


FIG. 4

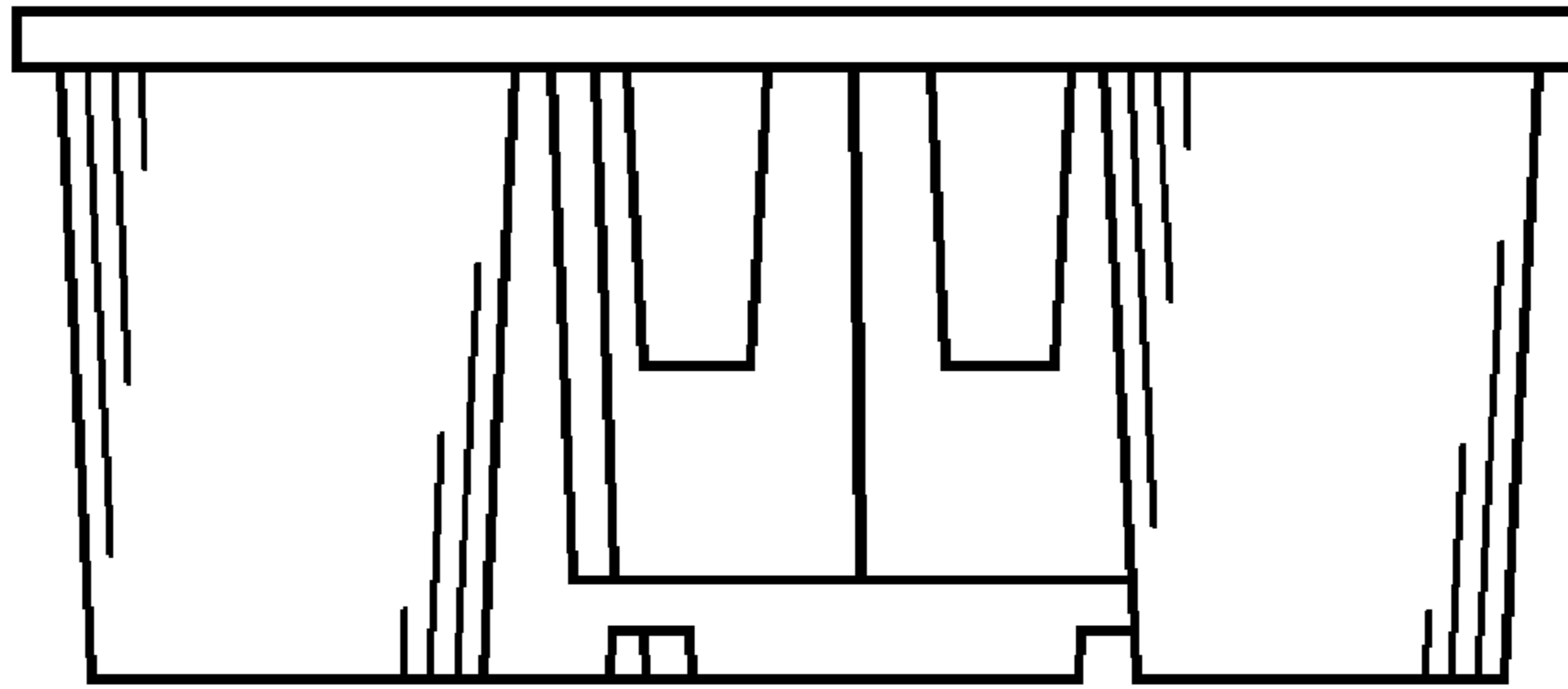


FIG. 5

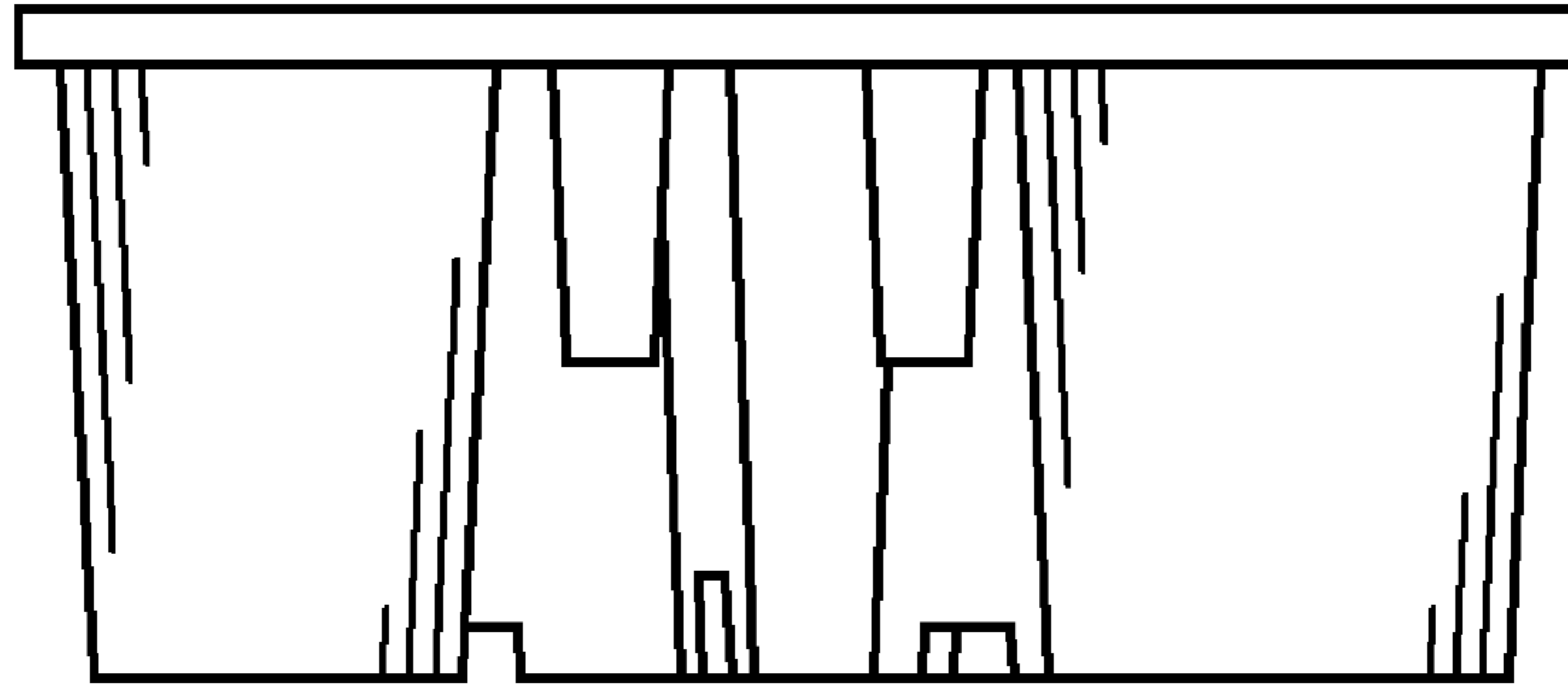


FIG. 6

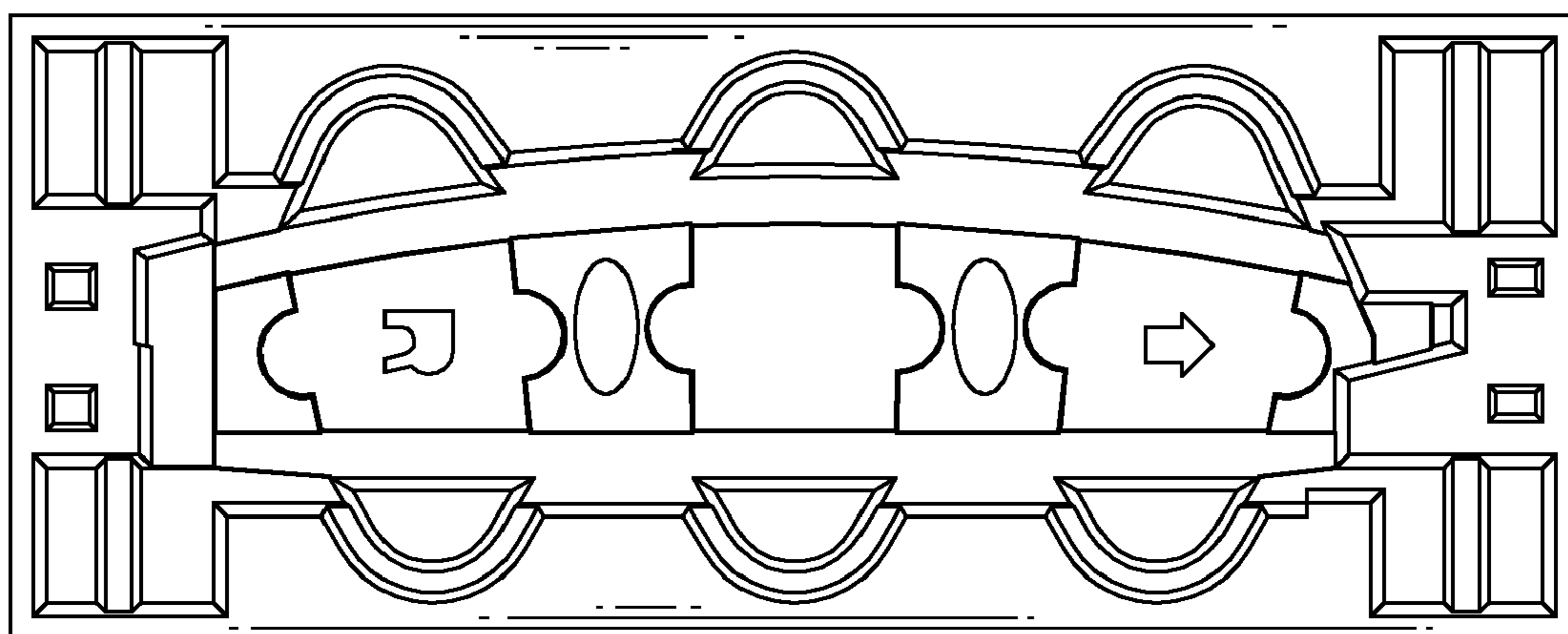


FIG. 7

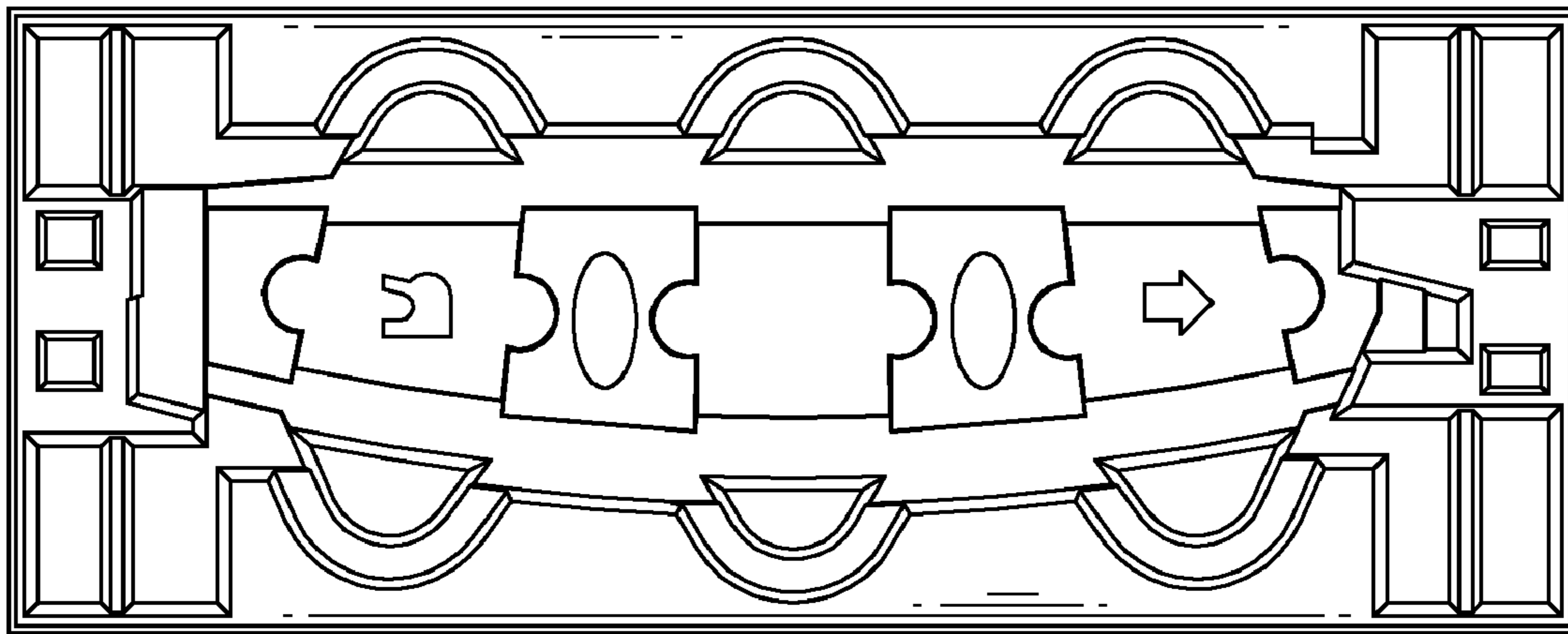


FIG. 8