



US00D627642S

(12) **United States Design Patent**
Mazurkiewicz et al.

(10) **Patent No.:** **US D627,642 S**
(45) **Date of Patent:** **** Nov. 23, 2010**

(54) **LID FOR A DISPENSING CLOSURE**
(75) Inventors: **Timothy M. Mazurkiewicz**, Milwaukee, WI (US); **Stacy L. Beilke**, Eagle, WI (US); **Anne F. Stecker**, Lake Geneva, WI (US); **John Wisniewski**, Wauwatosa, WI (US)

7,121,438 B2 10/2006 Hoepner et al.
D548,585 S * 8/2007 Okabe et al. D9/420
D583,234 S * 12/2008 Lohrman et al. D9/449
D585,739 S * 2/2009 Dombrowski et al. D9/449

(Continued)

(73) Assignee: **Seaquist Closures L.L.C.**, Mukwonago, WI (US)

OTHER PUBLICATIONS

(**) Term: **14 Years**

U.S. Appl. No. 29/349,538, Entitled "Dispensing Closure Body," and filed concurrently with U.S. Appl. No. 29/349,540 by inventors Timothy M. Mazurkiewicz, Stacy L. Beilke, Anne F. Stecker, and John Wisniewski.

(21) Appl. No.: **29/349,540**

(22) Filed: **Apr. 13, 2010**

(Continued)

(51) **LOC (9) Cl.** **09-07**

Primary Examiner—Susan Bennett Hattan

(52) **U.S. Cl.** **D9/449**

(74) *Attorney, Agent, or Firm*—Wood, Phillips, Katz, Clark & Mortimer

(58) **Field of Classification Search** D9/529,
D9/504, 503, 454, 453, 452, 450, 449, 447,
D9/446, 443, 435; D7/900, 396.2, 392.1;
222/556, 544, 494, 480, 472, 321.9, 212,
222/185.1; 220/837, 835, 813, 810, 375,
220/254.5; 215/305, 228, 226, 200

(57) **CLAIM**

See application file for complete search history.

The ornamental design for a lid for a dispensing closure, as shown and described.

(56) **References Cited**

DESCRIPTION

U.S. PATENT DOCUMENTS

D174,793 S *	5/1955	Bliss	D7/321
D190,964 S *	7/1961	Bliss	D7/321
D278,312 S *	4/1985	Cleevely et al.	D9/449
D328,246 S	7/1992	Nottingham		
D355,121 S *	2/1995	Kohl	D9/447
D356,499 S *	3/1995	Cautereels et al.	D9/449
D356,949 S	4/1995	Mueller et al.		
5,409,144 A	4/1995	Brown		
5,797,523 A	8/1998	Gross		
D411,408 S *	6/1999	Ahern et al.	D7/392
D464,266 S *	10/2002	Dalmau	D9/521
D476,892 S *	7/2003	Martin et al.	D9/449
6,616,016 B2	9/2003	Hicks et al.		
D511,685 S *	11/2005	Choi	D9/449
D516,425 S *	3/2006	Haffner et al.	D9/449
D531,035 S *	10/2006	Pugne	D9/453

FIG. 1 is a front isometric view of a lid for a dispensing closure that can be installed on a container (not shown), and FIG. 1 shows my new design with the lid in the closed position as the lid would be initially configured with the body of the dispensing closure for installation on a container (not shown) for initial purchase by a consumer;

FIG. 2 is a rear isometric view thereof;

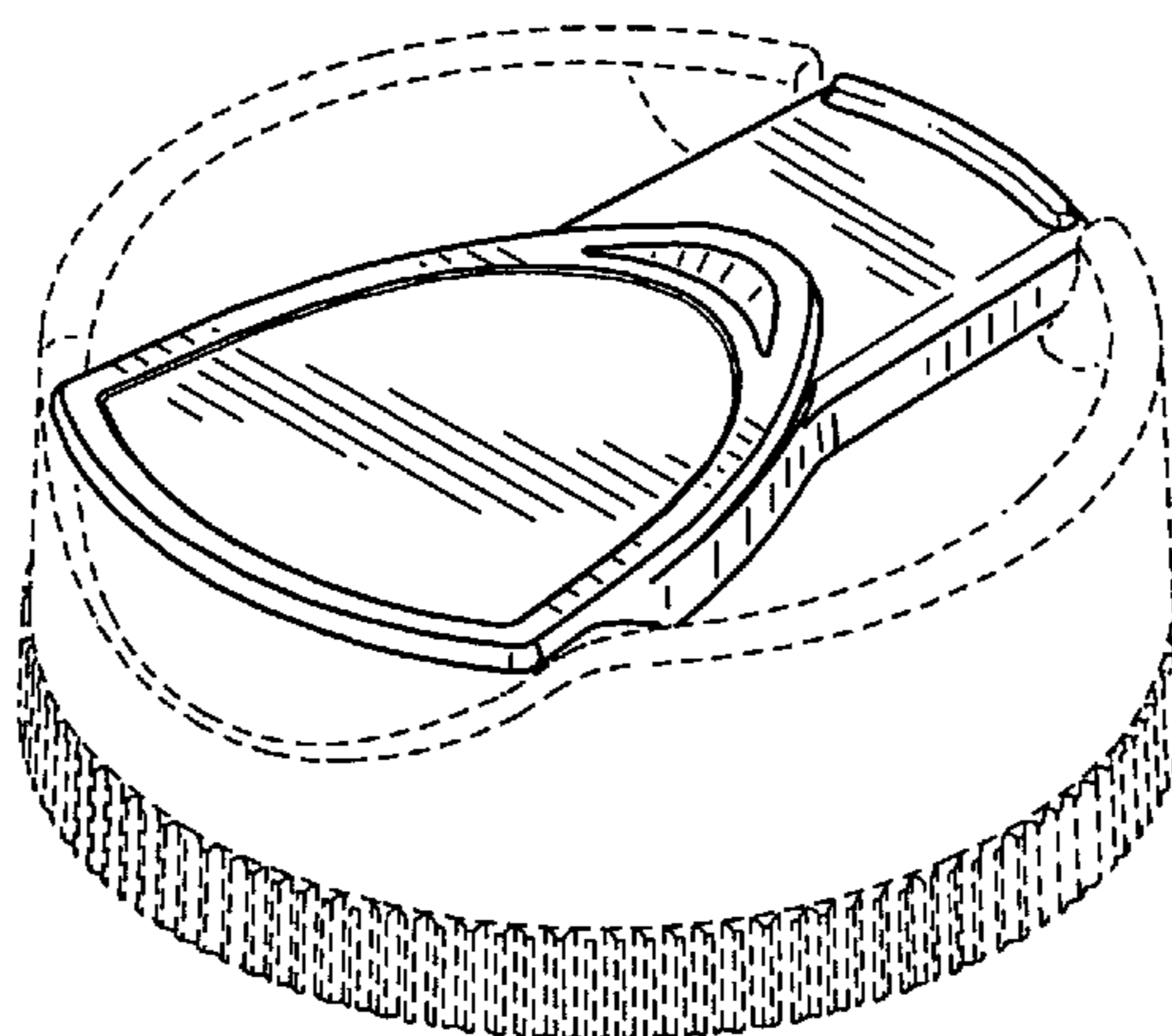
FIG. 3 is a top plan view thereof;

FIG. 4 is a right side elevational view thereof, the left side elevational view thereof being a mirror image;

FIG. 5 is a front elevational view thereof; and,

FIG. 6 is a rear elevational view thereof.

1 Claim, 3 Drawing Sheets



U.S. PATENT DOCUMENTS

D595,085 S * 6/2009 Carlson D7/392
D601,019 S * 9/2009 Zupan D9/449
D609,092 S * 2/2010 Laib et al. D9/449
D609,093 S 2/2010 Wisniewski et al.
2009/0294447 A1* 12/2009 Mazurkiewicz et al. 220/260
2010/0140266 A1* 6/2010 Lohrman et al. 220/254.3

OTHER PUBLICATIONS

U.S. Appl. No. 29/349,539, entitled "Dispensing Closure," and filed concurrently with U.S. Appl. No. 29/349,540 by inventors Timothy M. Mazurkiewicz, Stacy L. Beilke, Anne F. Stecker, and John Wisniewski.

International PCT patent application No. US2010/01092, entitled "Closure For An Inverted Container," and filed concurrently with the instant U.S. Des. Appl. No. 29/349,540, by inventors M. Mazurkiewicz, Stacy L. Beilke, Anne F. Stecker, and John Wisniewski.

U.S. Des. Appl. No. 29/349,538, entitled "Dispensing Closure Body," and filed concurrently with the instant U.S. Des. Appl. No. 29/349,540, by inventors M. Mazurkiewicz, Stacy L. Beilke, Anne F. Stecker, and John Wisniewski.

U.S. Des. Appl. No. 29/349,539, entitled "Dispensing Closure," and filed concurrently with the instant U.S. Des. Appl. No. 29/349,540, by inventors M. Mazurkiewicz, Stacy L. Beilke, Anne F. Stecker, and John Wisniewski.

* cited by examiner

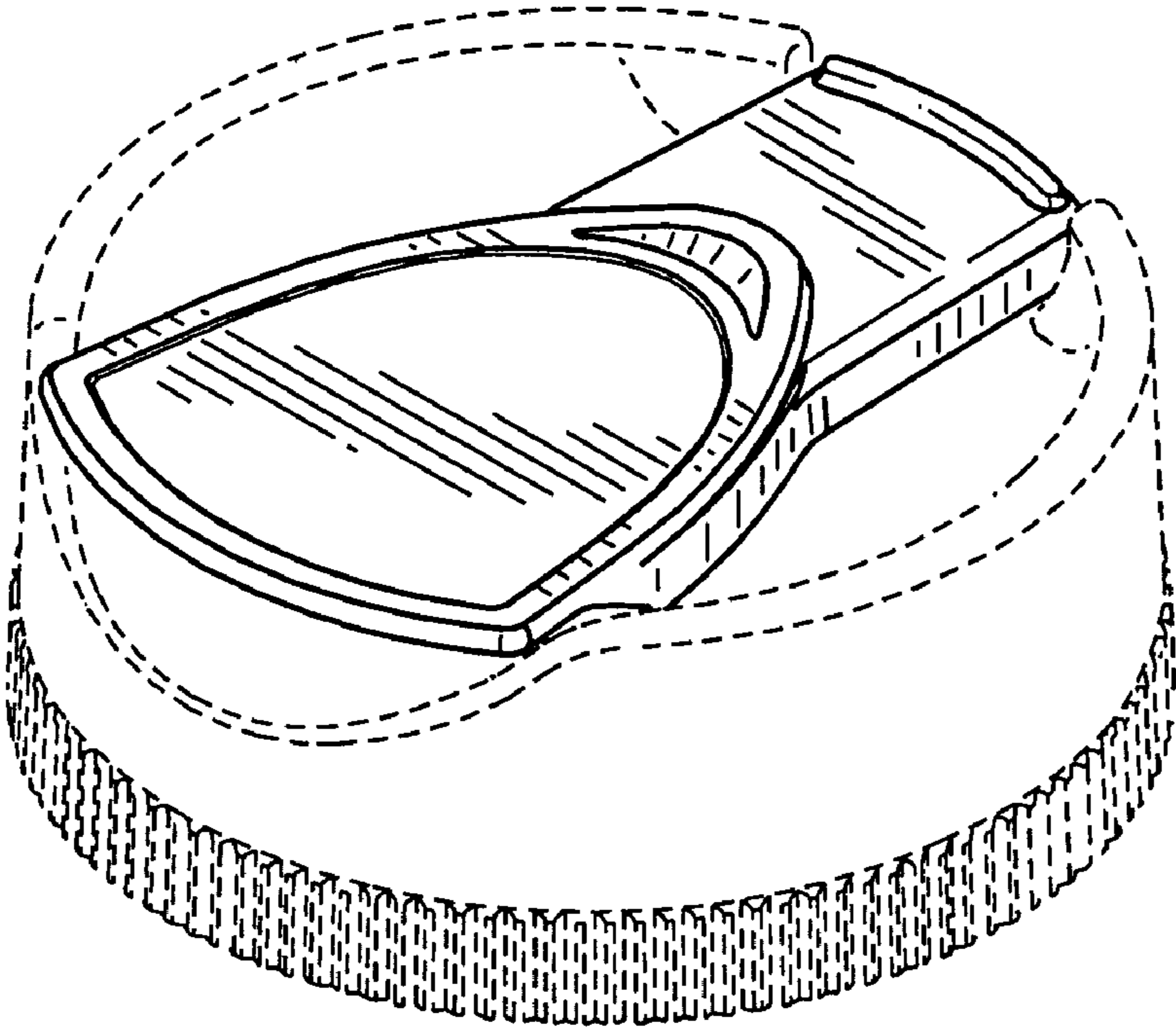


FIG. 1

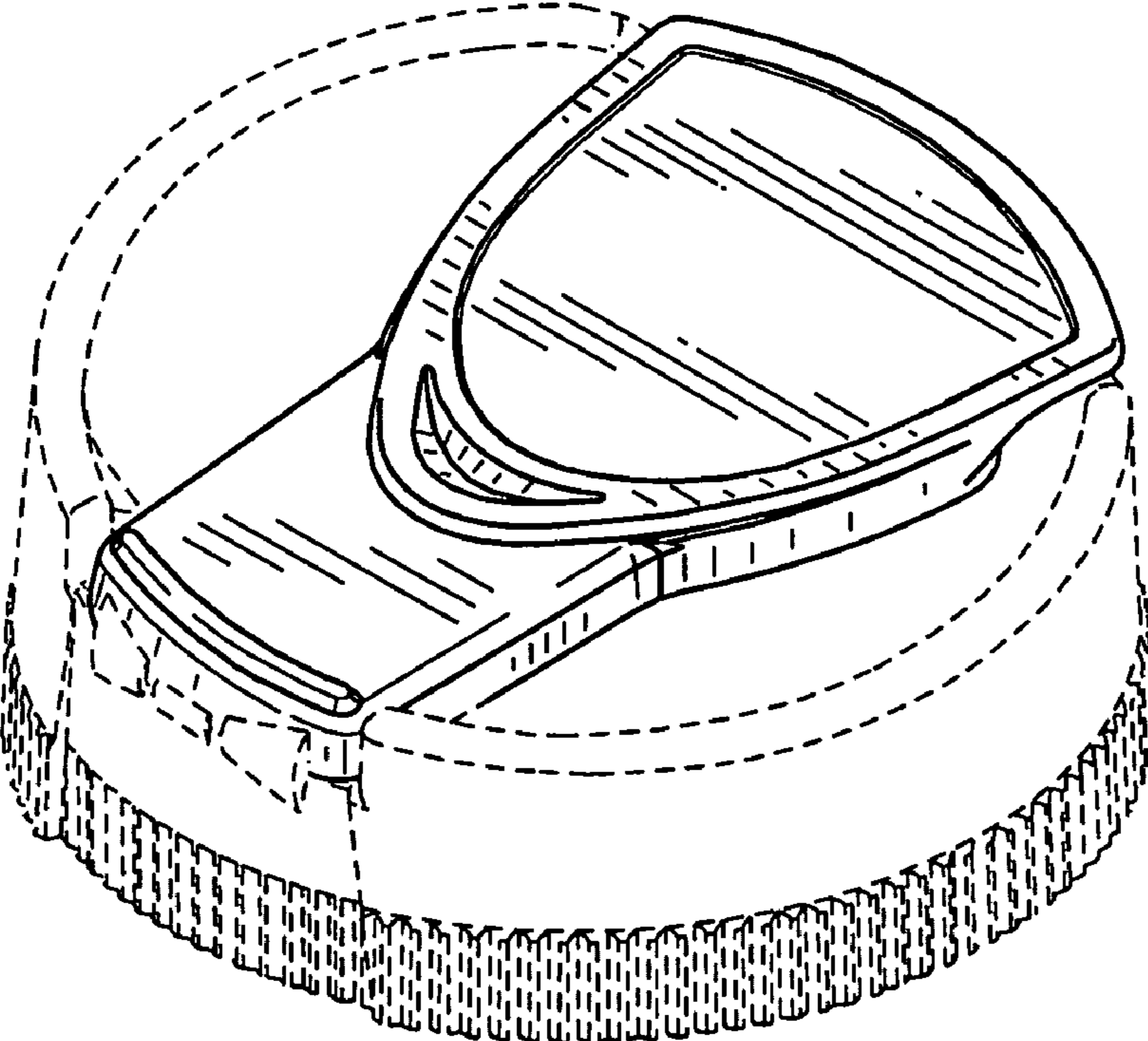


FIG. 2

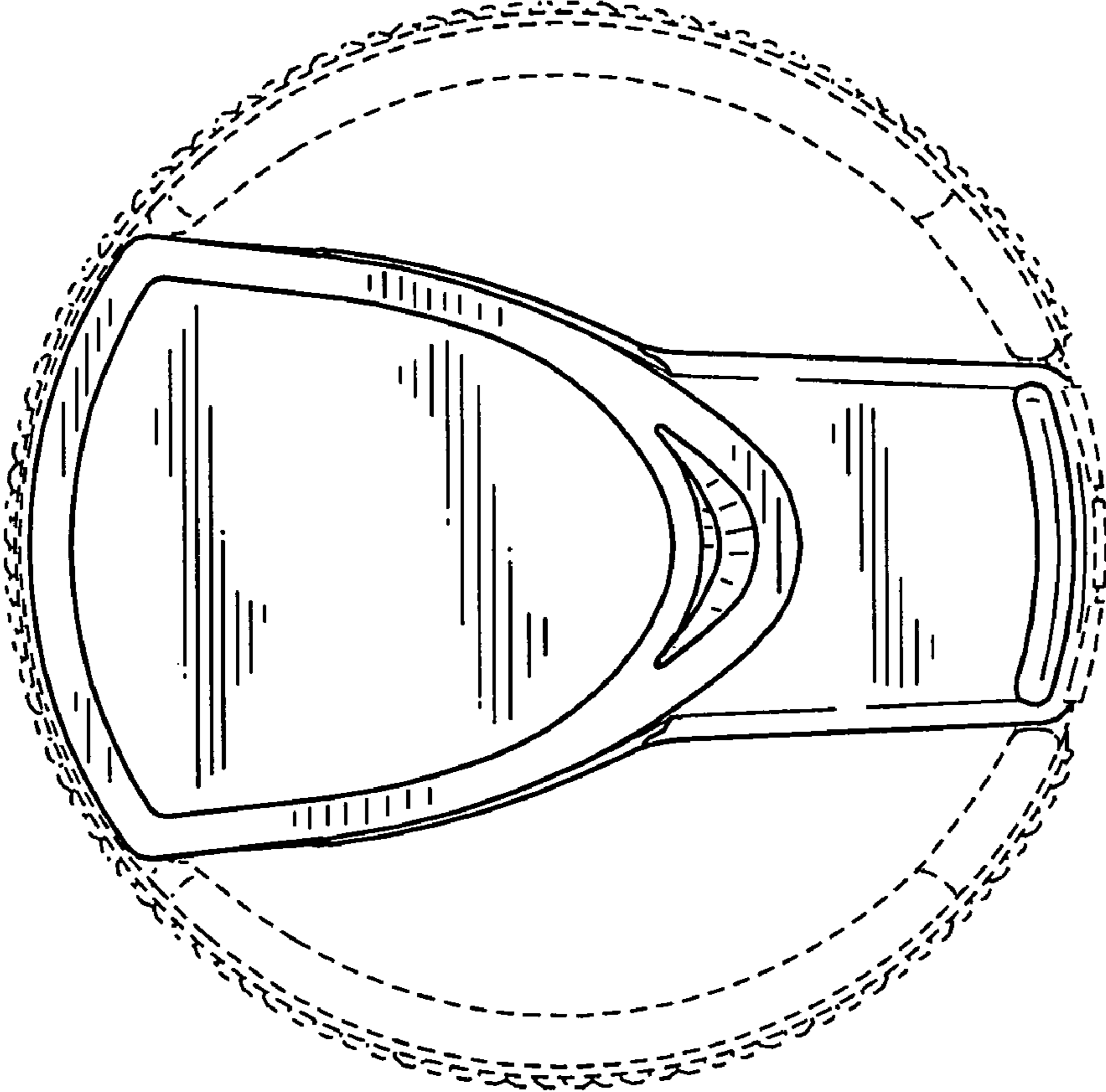


FIG. 3

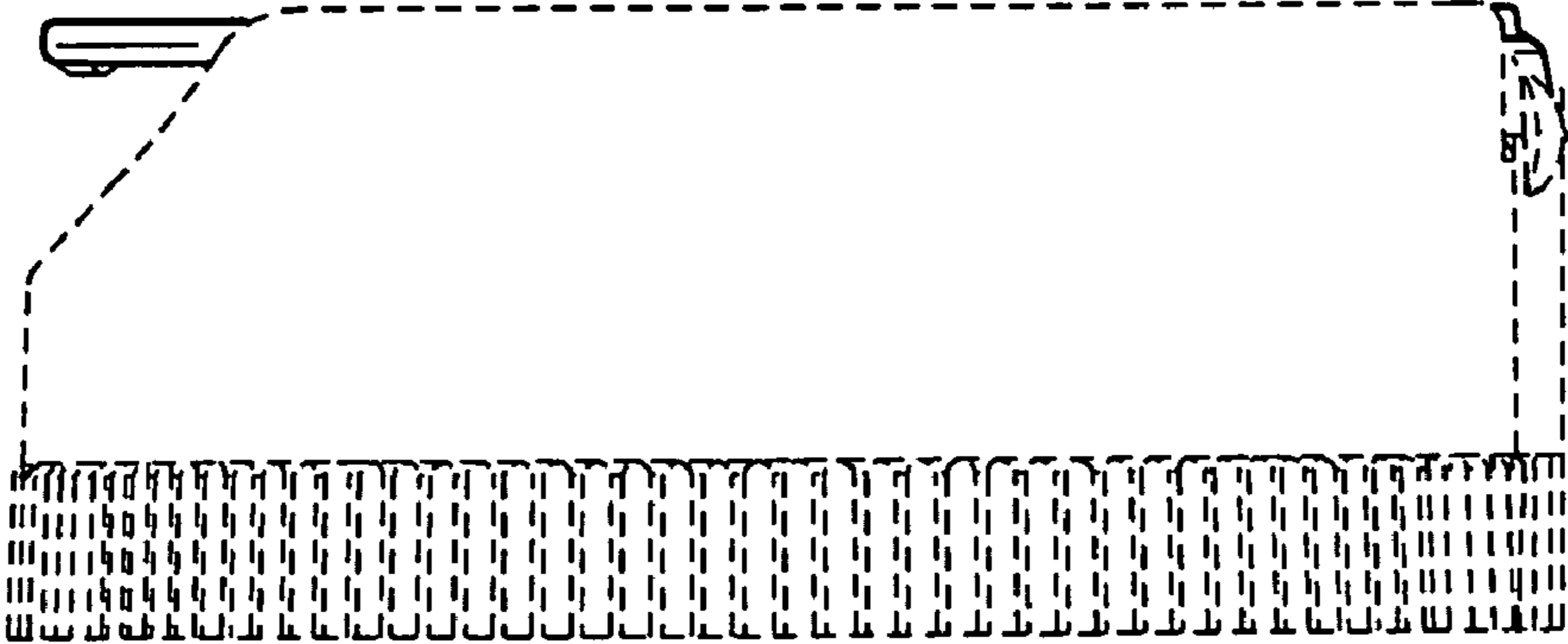


FIG. 4

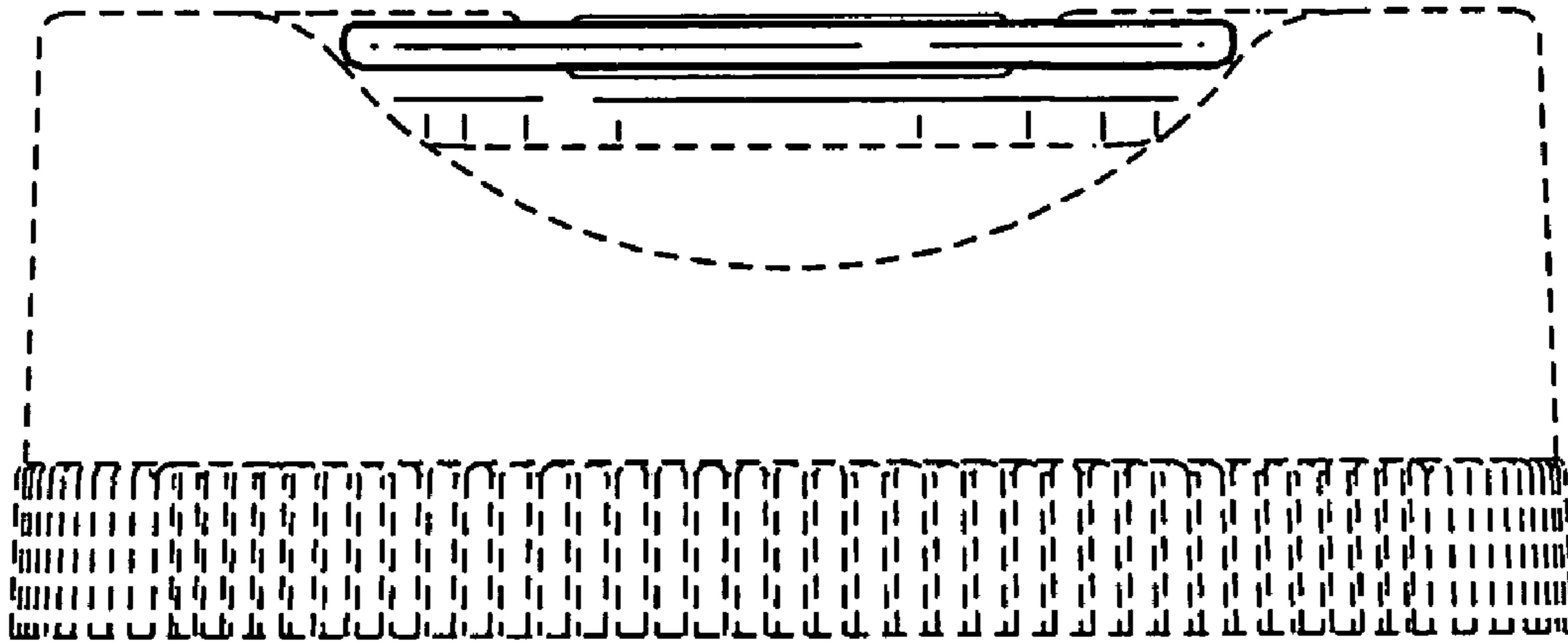


FIG. 5

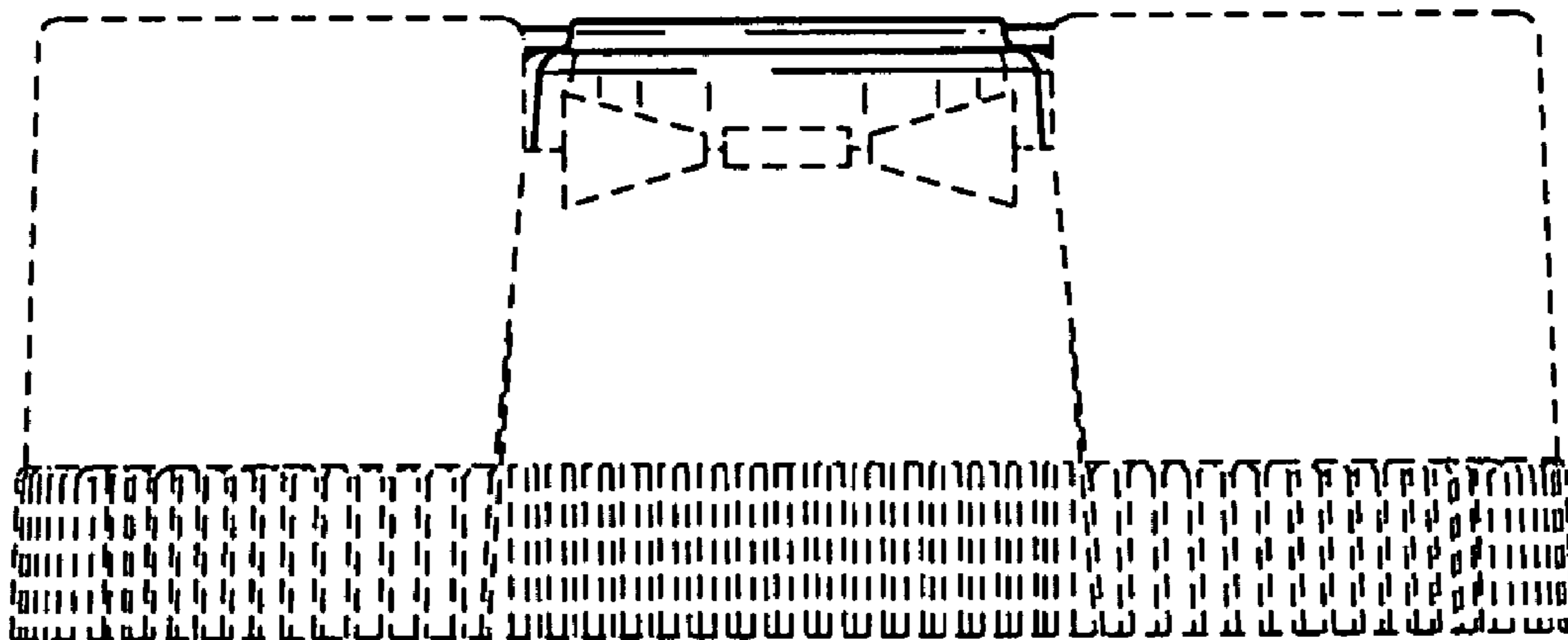


FIG. 6