



US00D627641S

(12) **United States Design Patent**
Mazurkiewicz et al.

(10) **Patent No.:** **US D627,641 S**
(45) **Date of Patent:** **** Nov. 23, 2010**

(54) **DISPENSING CLOSURE**
(75) Inventors: **Timothy M. Mazurkiewicz**, Milwaukee, WI (US); **Stacy L. Beilke**, Eagle, WI (US); **Anne F. Stecker**, Lake Geneva, WI (US); **John Wisniewski**, Wauwatosa, WI (US)

7,121,438 B2 10/2006 Hoepner et al.
D548,585 S * 8/2007 Okabe et al. D9/420
D583,234 S * 12/2008 Lohrman et al. D9/449
D585,739 S * 2/2009 Dombrowski et al. D9/449
D595,085 S * 6/2009 Carlson D7/392

(73) Assignee: **Sequist Closures L.L.C.**, Mukwonago, WI (US)

(Continued)

(**) Term: **14 Years**

OTHER PUBLICATIONS

(21) Appl. No.: **29/349,539**

U.S. Appl. No. 29/349,538, entitled "Dispensing Closure Body," and filed concurrently with the instant design U.S. Appl. No. 29/349,539 by inventors Timothy M. Mazurkiewicz, Stacy L. Beilke, Anne F. Stecker, and John Wisniewski.

(22) Filed: **Apr. 13, 2010**

(Continued)

(51) **LOC (9) Cl.** **09-07**
(52) **U.S. Cl.** **D9/449**
(58) **Field of Classification Search** D9/529,
D9/504, 503, 454, 453, 452, 450, 449, 447,
D9/446, 443, 435; D7/900, 396.2, 392.1;
222/556, 544, 494, 480, 472, 321.9, 212,
222/185.1; 220/837, 835, 813, 810, 375,
220/254.5; 215/305, 228, 226, 200

Primary Examiner—Susan Bennett Hattan
(74) *Attorney, Agent, or Firm*—Wood, Phillips, Katz, Clark & Mortimer

See application file for complete search history.

(57) **CLAIM**

The ornamental design for a dispensing closure, as shown and described.

(56) **References Cited**

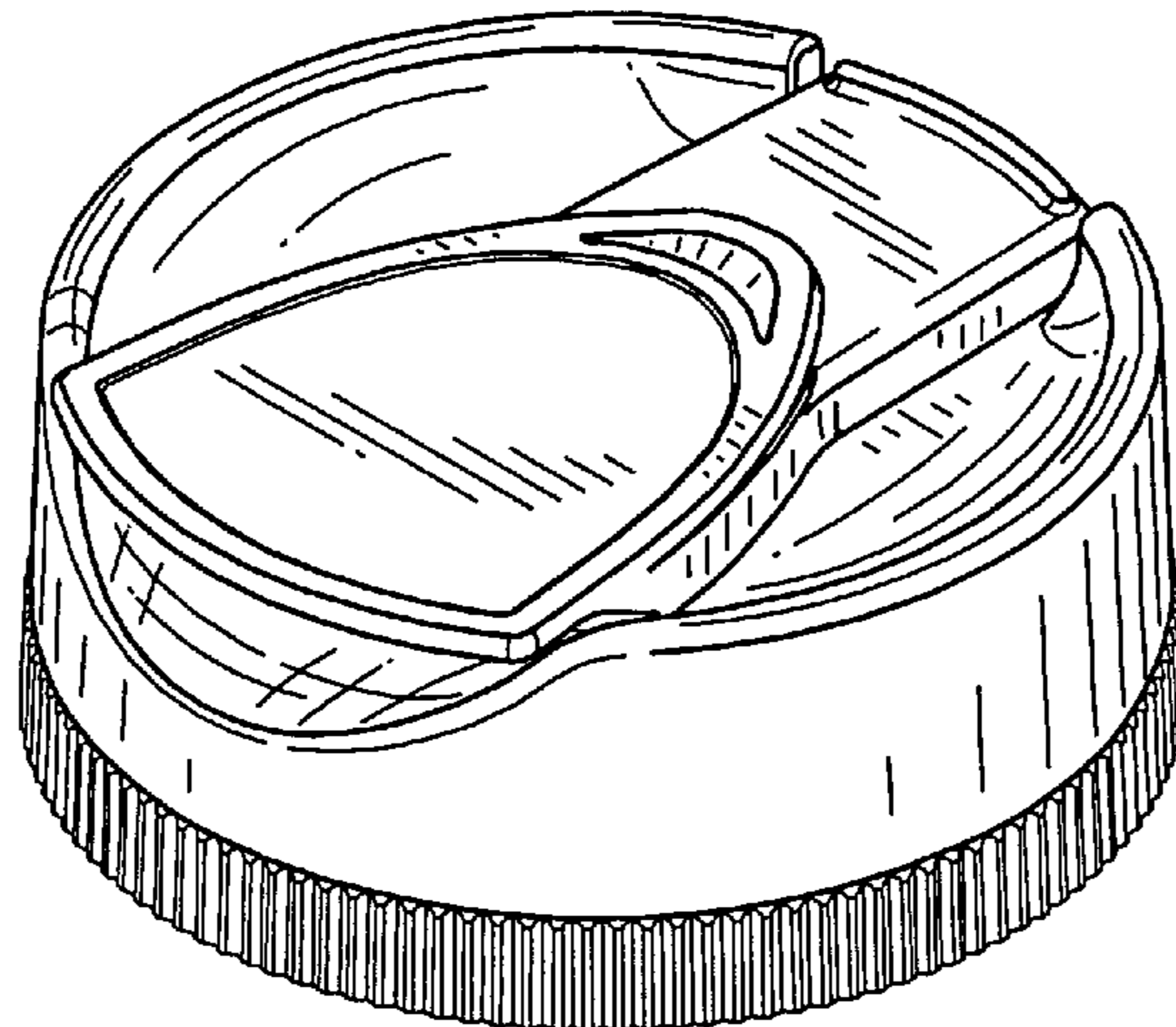
DESCRIPTION

U.S. PATENT DOCUMENTS

D174,793 S * 5/1955 Bliss D7/321
D190,964 S * 7/1961 Bliss D7/321
D278,312 S * 4/1985 Cleevely et al. D9/449
D328,246 S 7/1992 Nottingham
D355,121 S * 2/1995 Kohl D9/447
D356,499 S * 3/1995 Cautereels et al. D9/449
D356,949 S 4/1995 Mueller et al.
5,409,144 A 4/1995 Brown
5,797,523 A 8/1998 Gross
D411,408 S * 6/1999 Ahern et al. D7/392
D464,266 S * 10/2002 Dalmau D9/521
D476,892 S * 7/2003 Martin et al. D9/449
6,616,016 B2 9/2003 Hicks et al.
D511,685 S * 11/2005 Choi D9/449
D516,425 S * 3/2006 Haffner et al. D9/449
D531,035 S * 10/2006 Pugne D9/453

FIG. 1 is a front isometric view of a dispensing closure which is adapted for installation on a container (not shown), and FIG. 1 shows my new design with the closure lid in the closed position as the lid would be initially configured with the closure body for installation on a container (not shown) for initial purchase by a consumer;
FIG. 2 is a rear isometric view thereof;
FIG. 3 is a top plan view thereof;
FIG. 4 is a right side elevational view thereof, the left side elevational view thereof being a mirror image;
FIG. 5 is a front elevational view thereof; and,
FIG. 6 is a rear elevational view thereof.

1 Claim, 3 Drawing Sheets



US D627,641 S

Page 2

U.S. PATENT DOCUMENTS

D601,019 S * 9/2009 Zupan D9/449
D609,092 S * 2/2010 Laib et al. D9/449
D609,093 S 2/2010 Wisniewski et al.
2009/0294447 A1* 12/2009 Mazurkiewicz et al. 220/260
2010/0140266 A1* 6/2010 Lohrman et al. 220/254.3

OTHER PUBLICATIONS

U.S. Appl. No. 29/349,540, entitled "Lid For A Dispensing Closure,"
and filed concurrently with the instant design U.S. Appl. No.
29/349,539 by inventors Timothy M. Mazurkiewicz, Stacy L. Beilke,
Anne F. Stecker, and John Wisniewski.

* cited by examiner

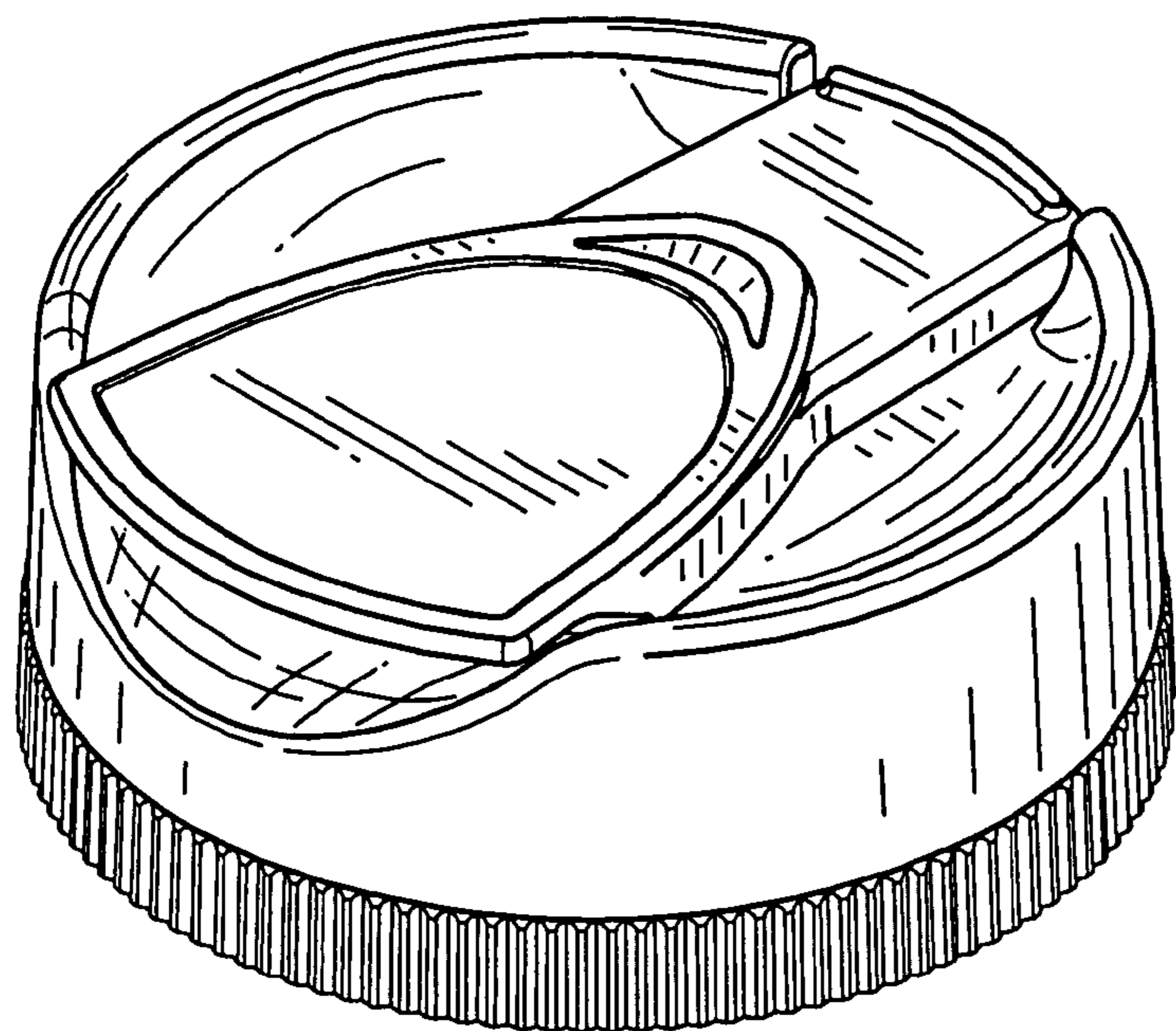


FIG. 1

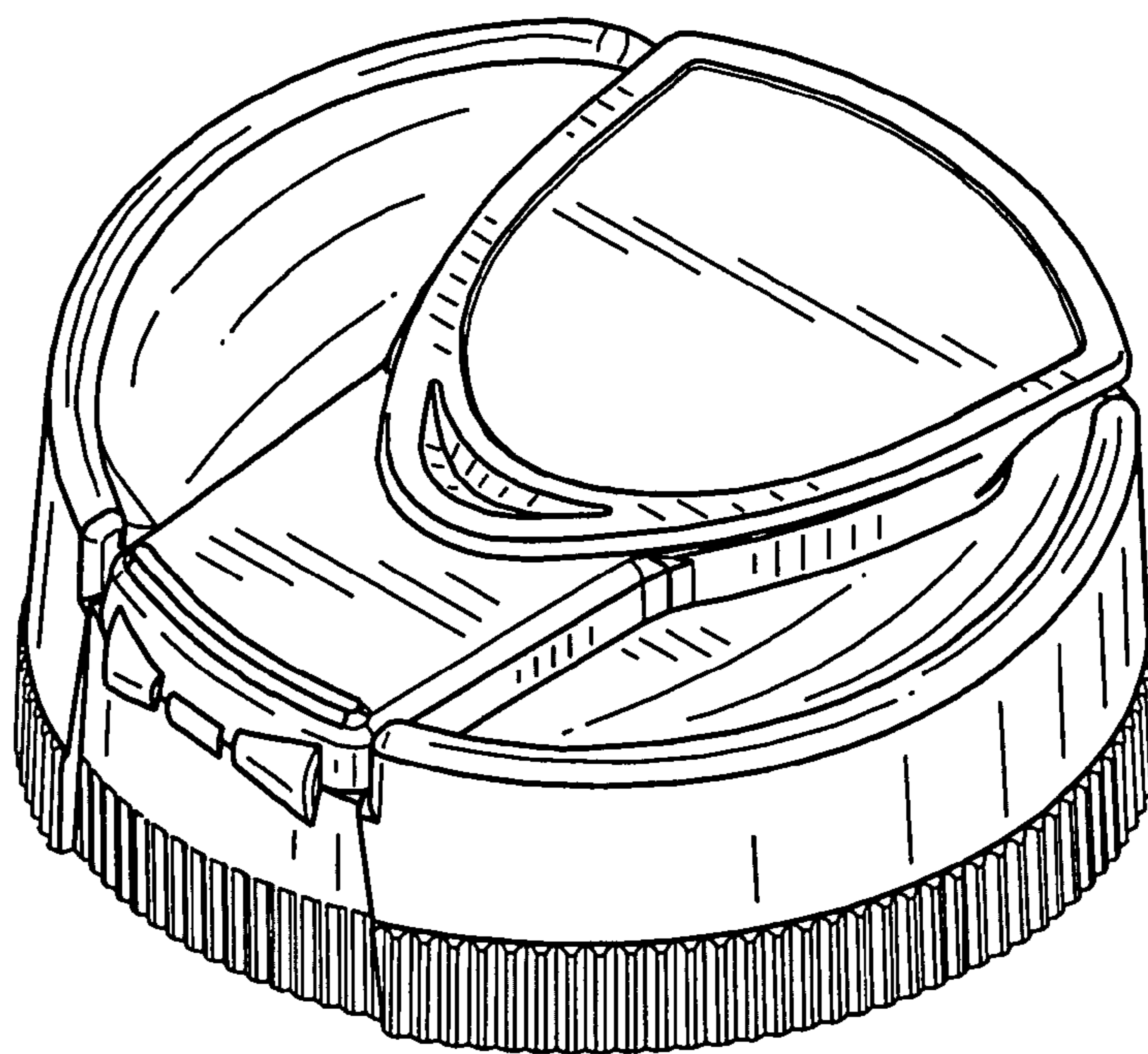


FIG. 2

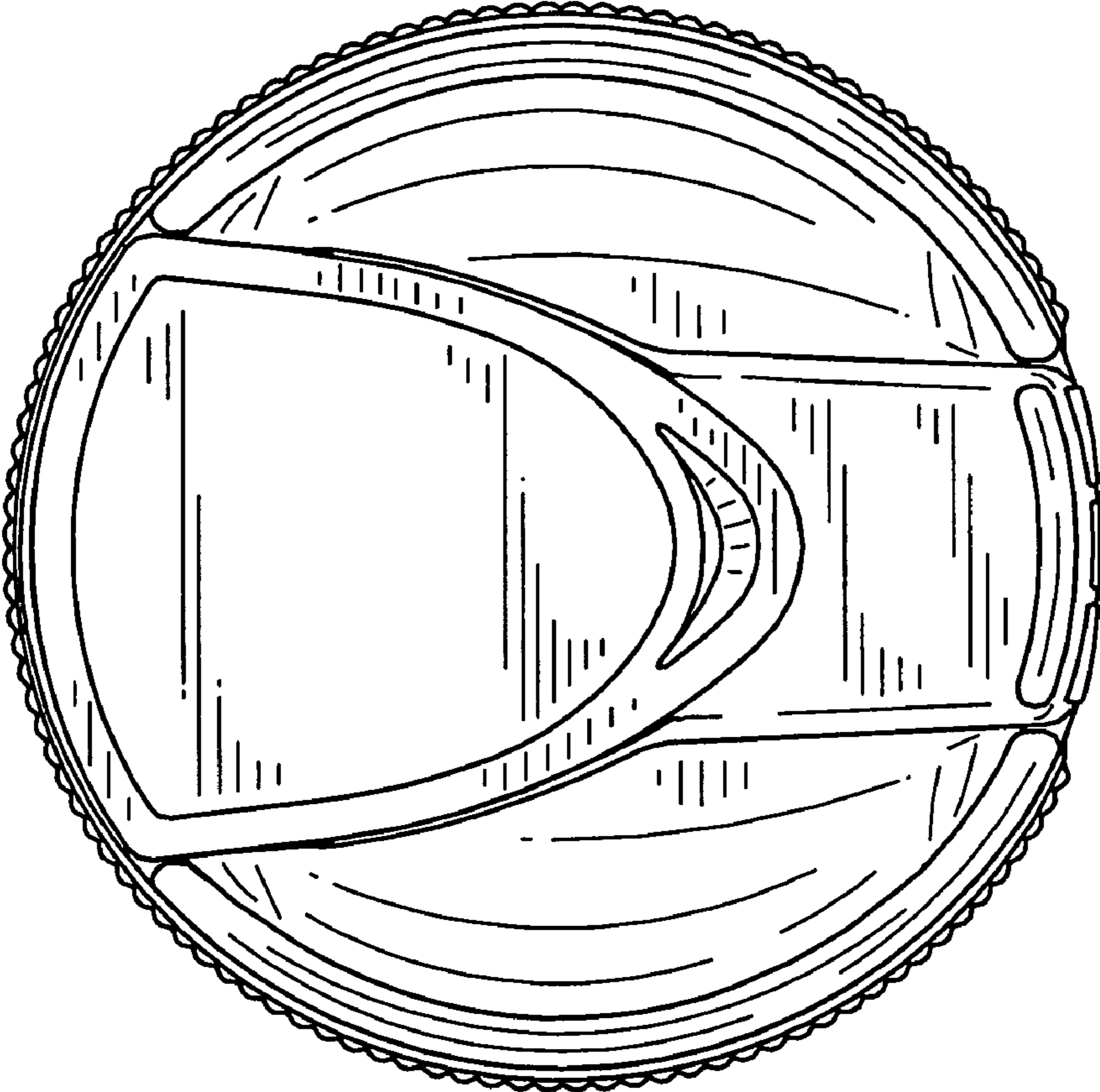


FIG. 3

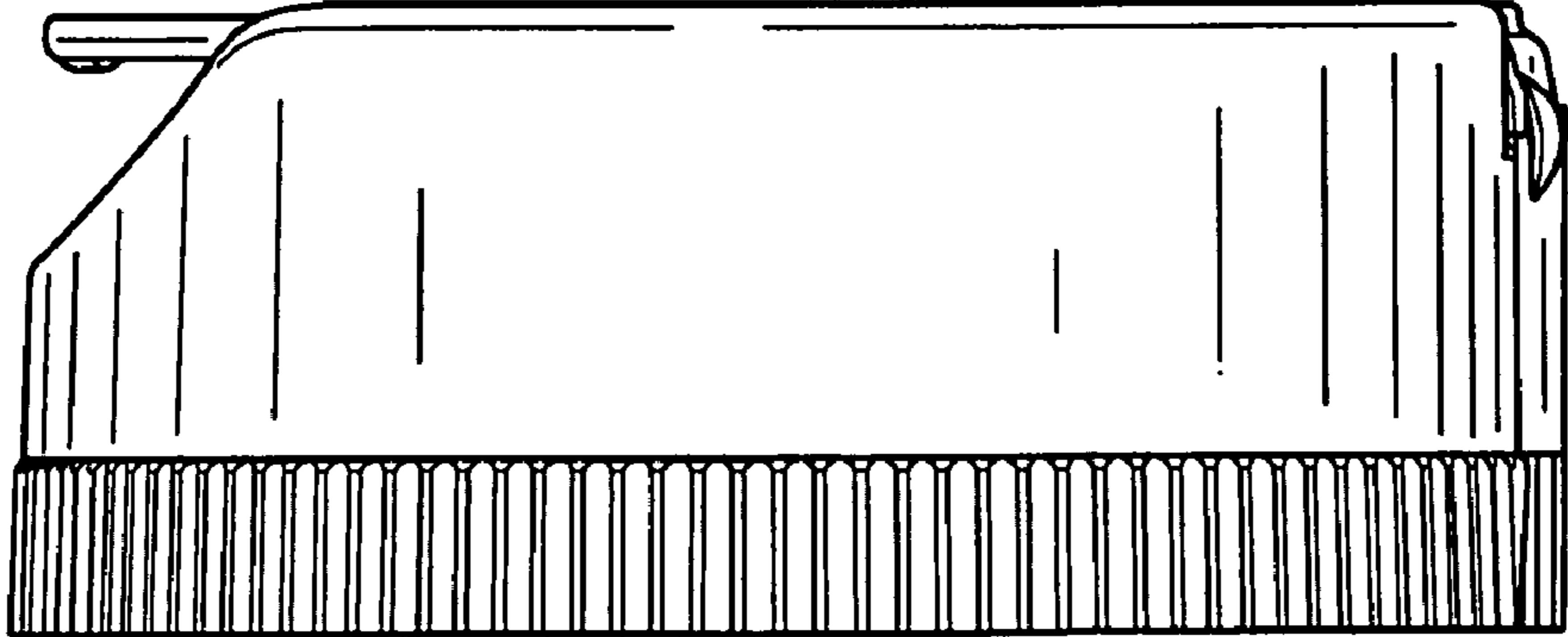


FIG. 4

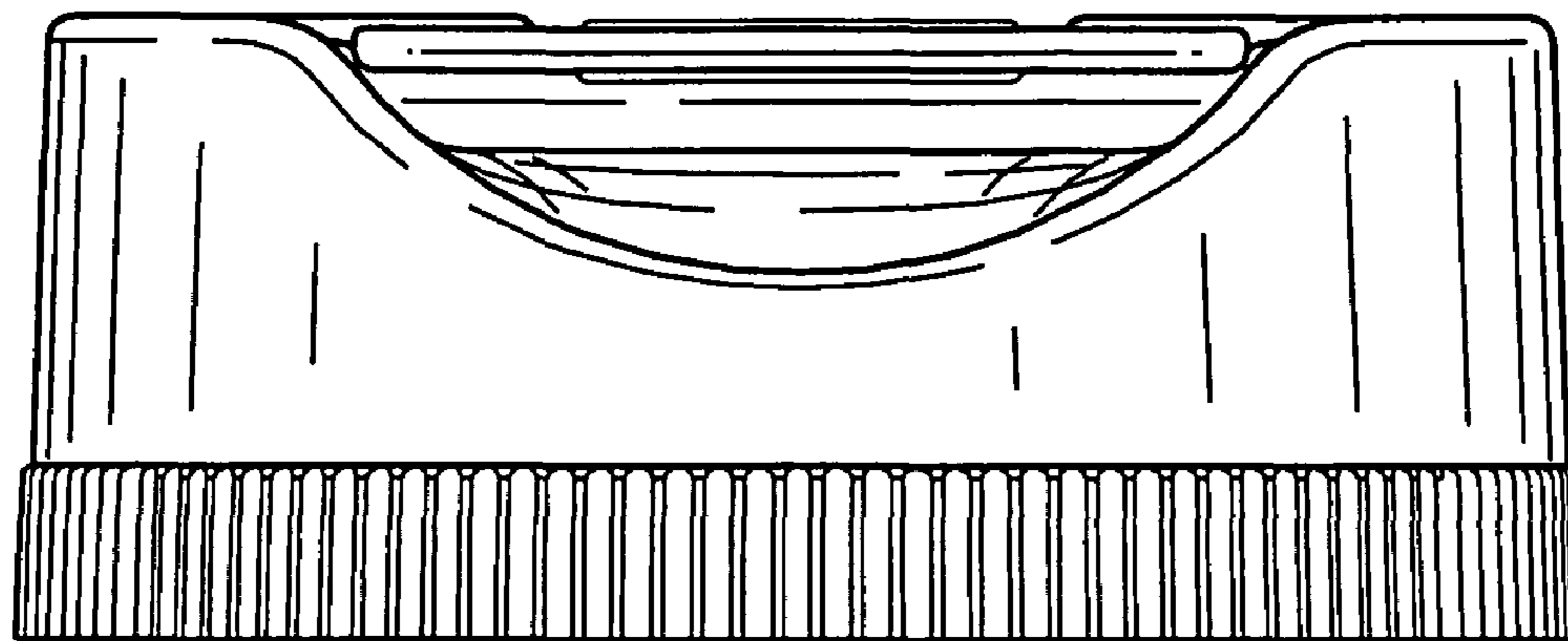


FIG. 5

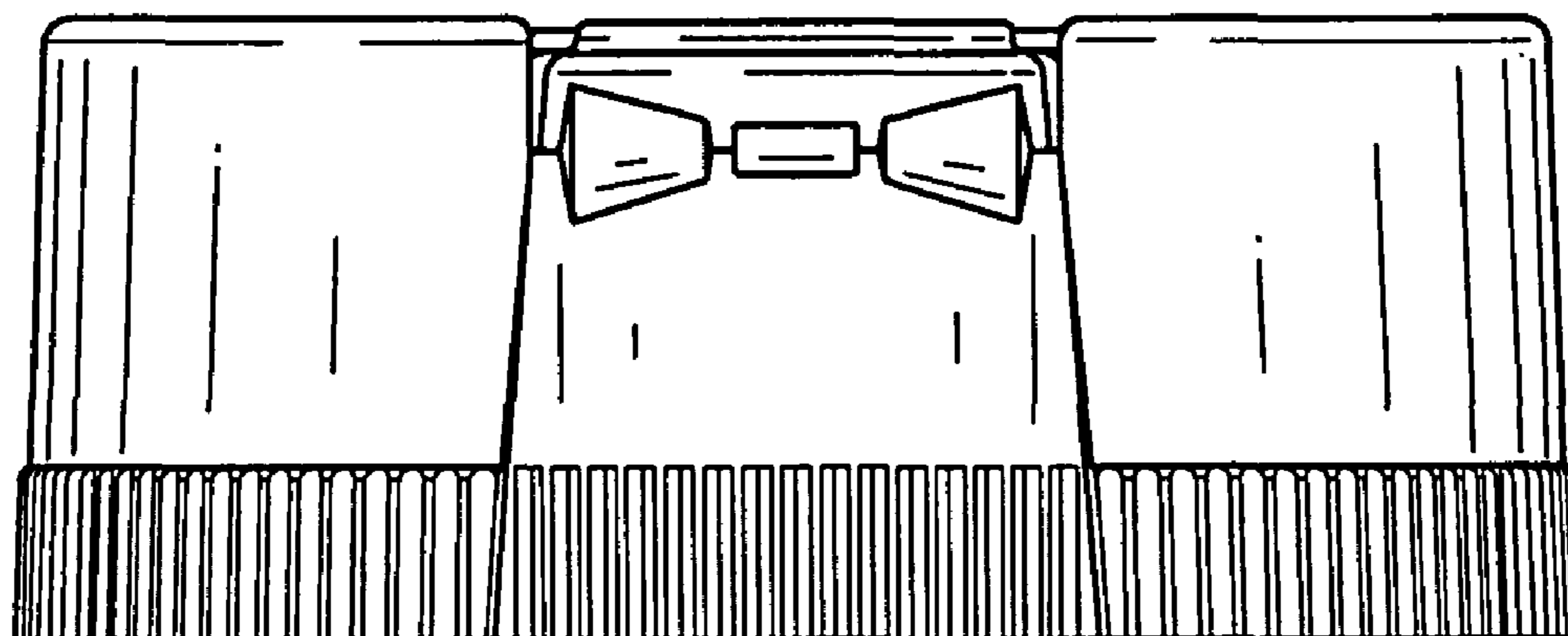


FIG. 6