



US00D627638S

(12) **United States Design Patent**
Bodet et al.

(10) **Patent No.:** **US D627,638 S**

(45) **Date of Patent:** **** Nov. 23, 2010**

(54) **AEROSOL DIFFUSER**

(75) Inventors: **Herve Bodet**, Verdun (FR); **Dominique Fournet**, Belleville sur Meuse (FR)

(73) Assignee: **Lindal France SAS**, Briey (FR)

(**) Term: **14 Years**

(21) Appl. No.: **29/345,785**

(22) Filed: **Oct. 22, 2009**

(30) **Foreign Application Priority Data**

Apr. 22, 2009 (EM) 001125264

(51) **LOC (9) Cl.** **09-07**

(52) **U.S. Cl.** **D9/448; D9/453**

(58) **Field of Classification Search** D9/456,
D9/455, 448, 447, 445, 438, 434, 763, 772;
D7/605, 387, 213; D3/211, 207; D23/226;
40/307; 239/333, 331; 222/635, 631, 566,
222/321.9, 321.8, 321.7, 320, 251; 220/915,
220/269, 268, 258.5

See application file for complete search history.

(56) **References Cited**

U.S. PATENT DOCUMENTS

D447,948 S * 9/2001 Pannozzo et al. D9/448

D462,009 S * 8/2002 Poisson et al. D9/448

D471,106 S * 3/2003 Pannozzo et al. D9/448

D478,285 S * 8/2003 Pannozzo et al. D9/448

2008/0164285 A1* 7/2008 Hygema 222/153.11

* cited by examiner

Primary Examiner—Susan Bennett Hattan

(74) *Attorney, Agent, or Firm*—Westerman, Hattori, Daniels & Adrian, LLP

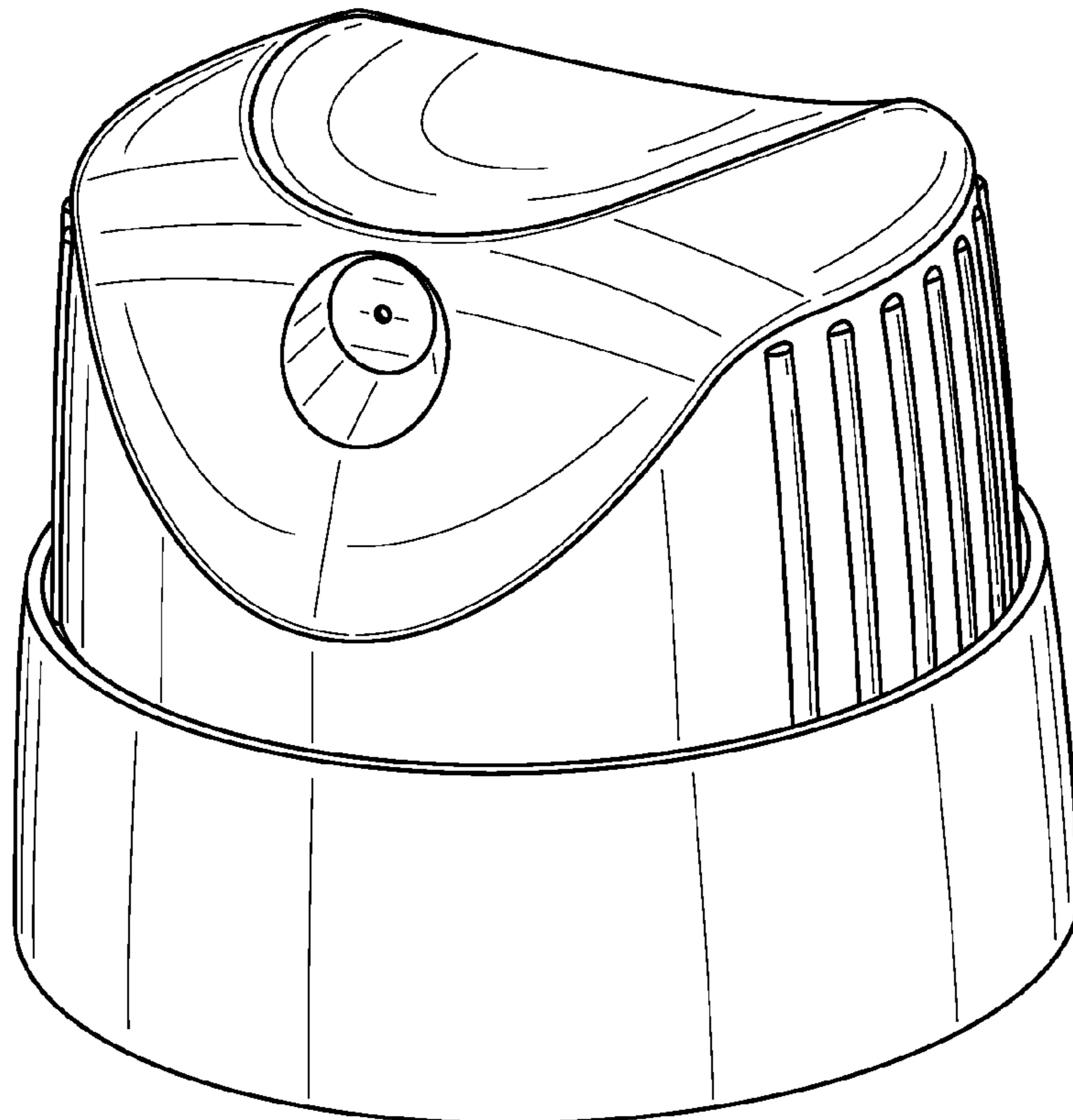
(57) **CLAIM**

The ornamental design for an aerosol diffuser, as shown and described.

DESCRIPTION

FIG. 1 is a front perspective view of an aerosol diffuser;
FIG. 2 is a back perspective view of the diffuser of FIG. 1;
FIG. 3 is a front view of the diffuser of FIG. 1;
FIG. 4 is a back view of the diffuser of FIG. 1;
FIG. 5 is a right side view of the diffuser of FIG. 1, the left side being a mirror image of the right side; and,
FIG. 6 is a top view of the diffuser of FIG. 1.

1 Claim, 6 Drawing Sheets



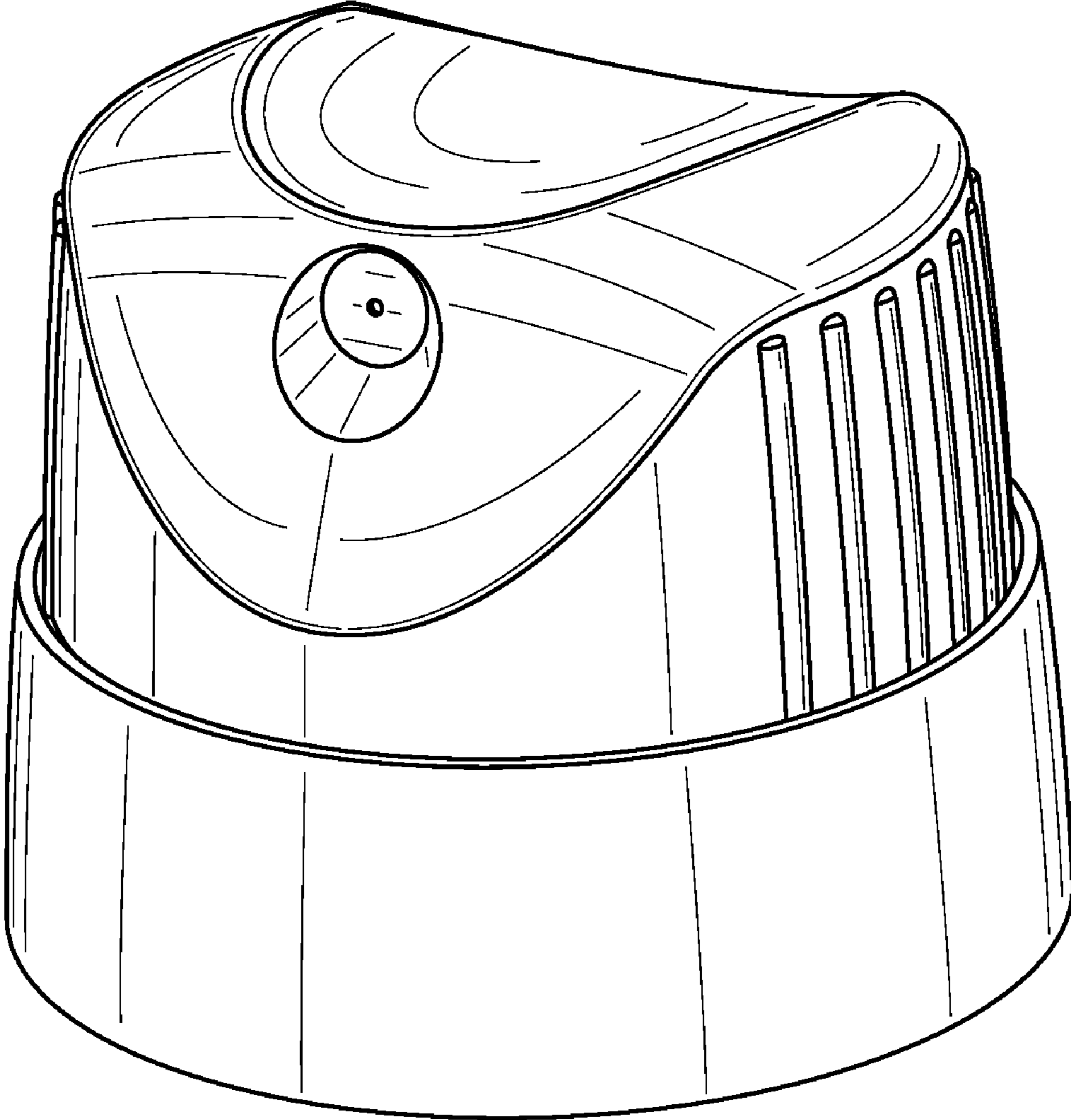


FIG. 1

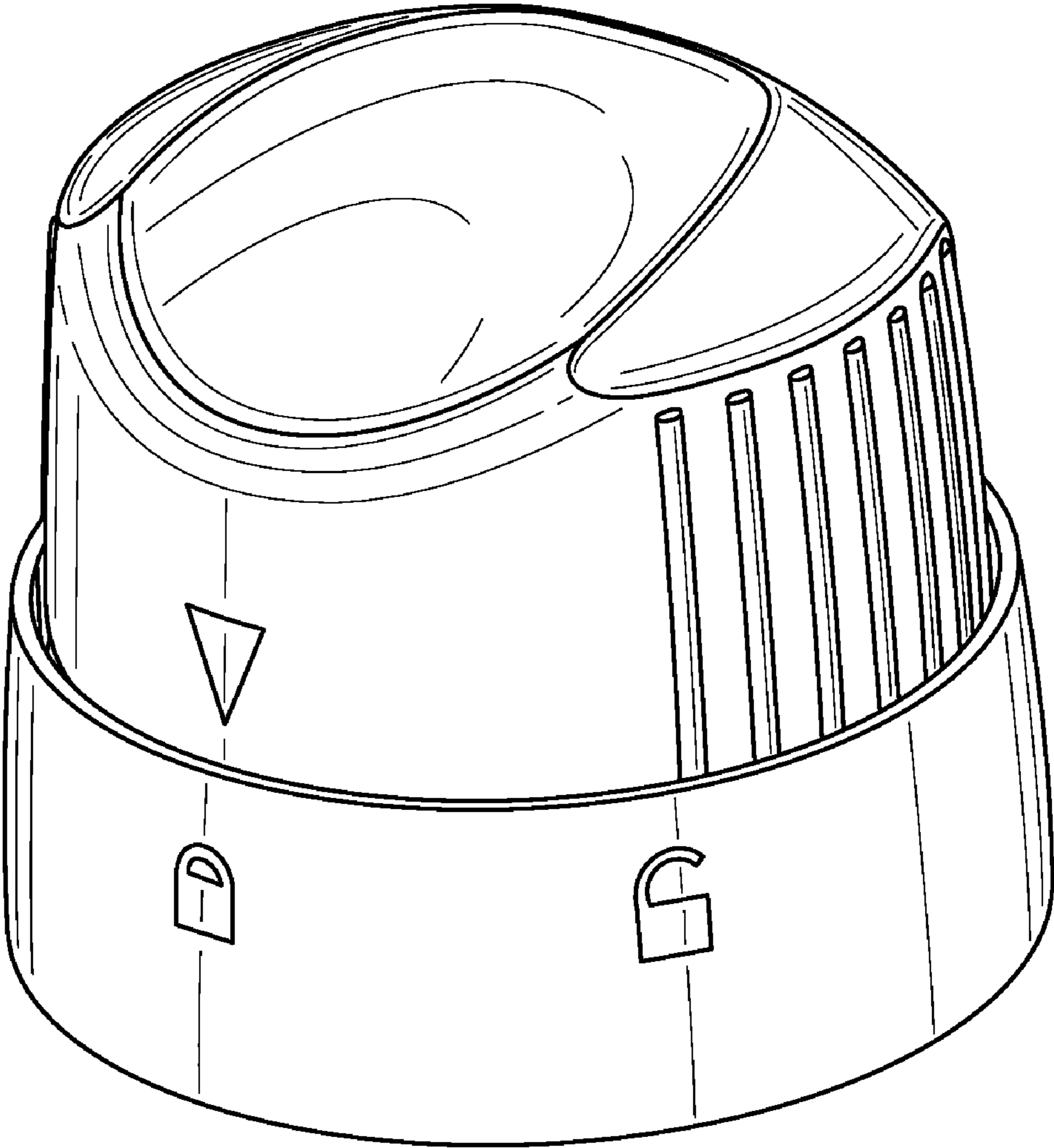


FIG. 2

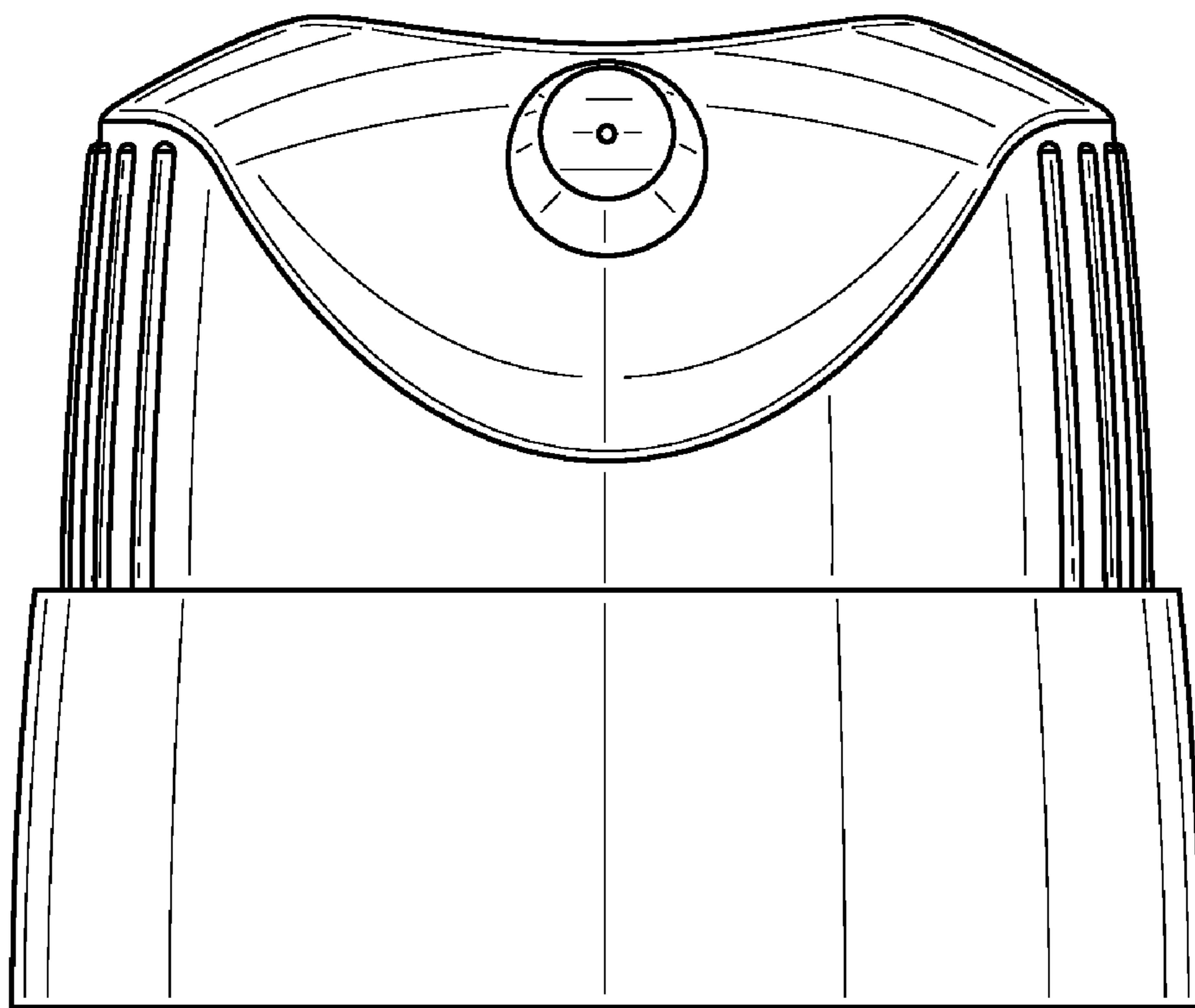


FIG. 3

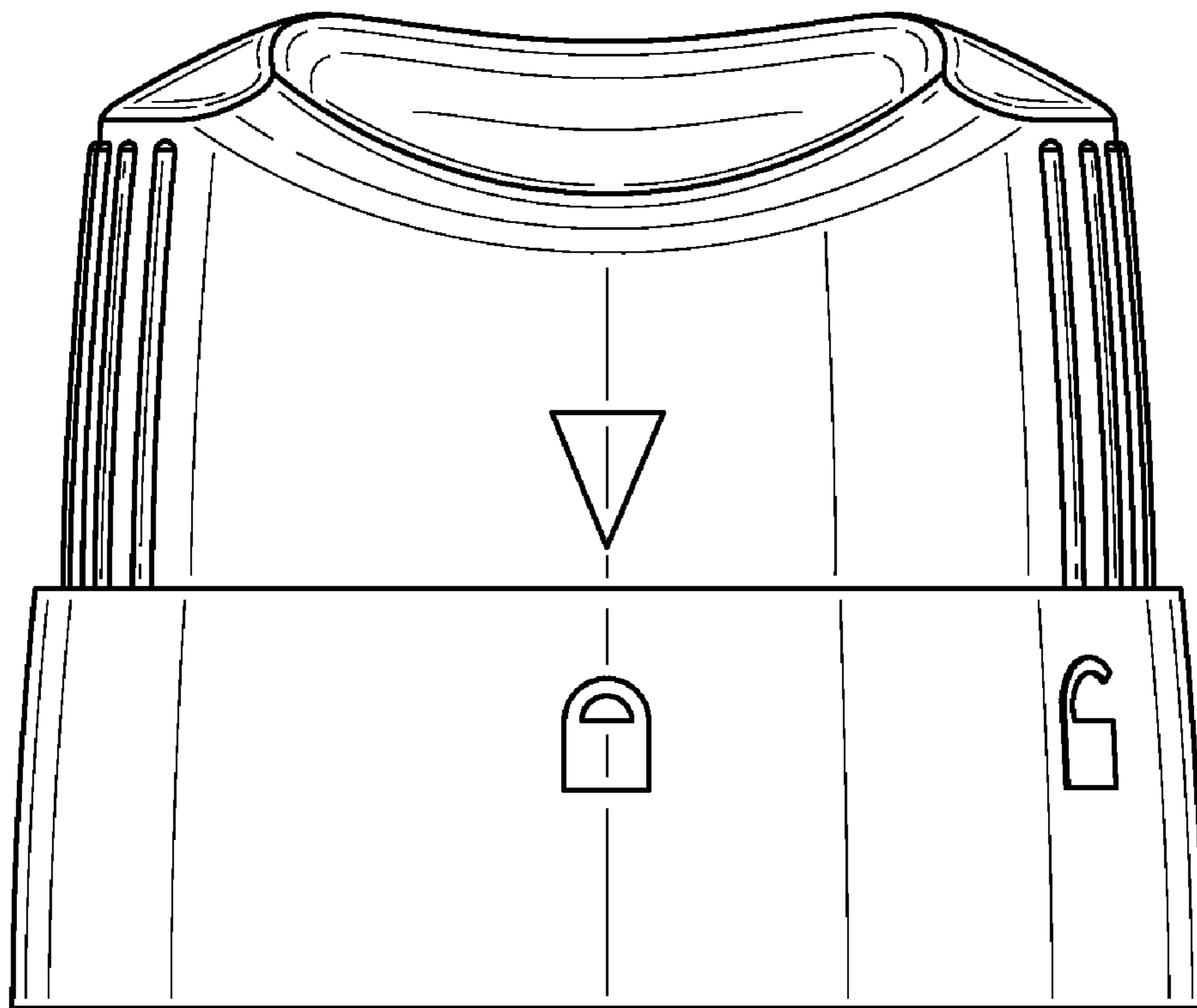


FIG. 4

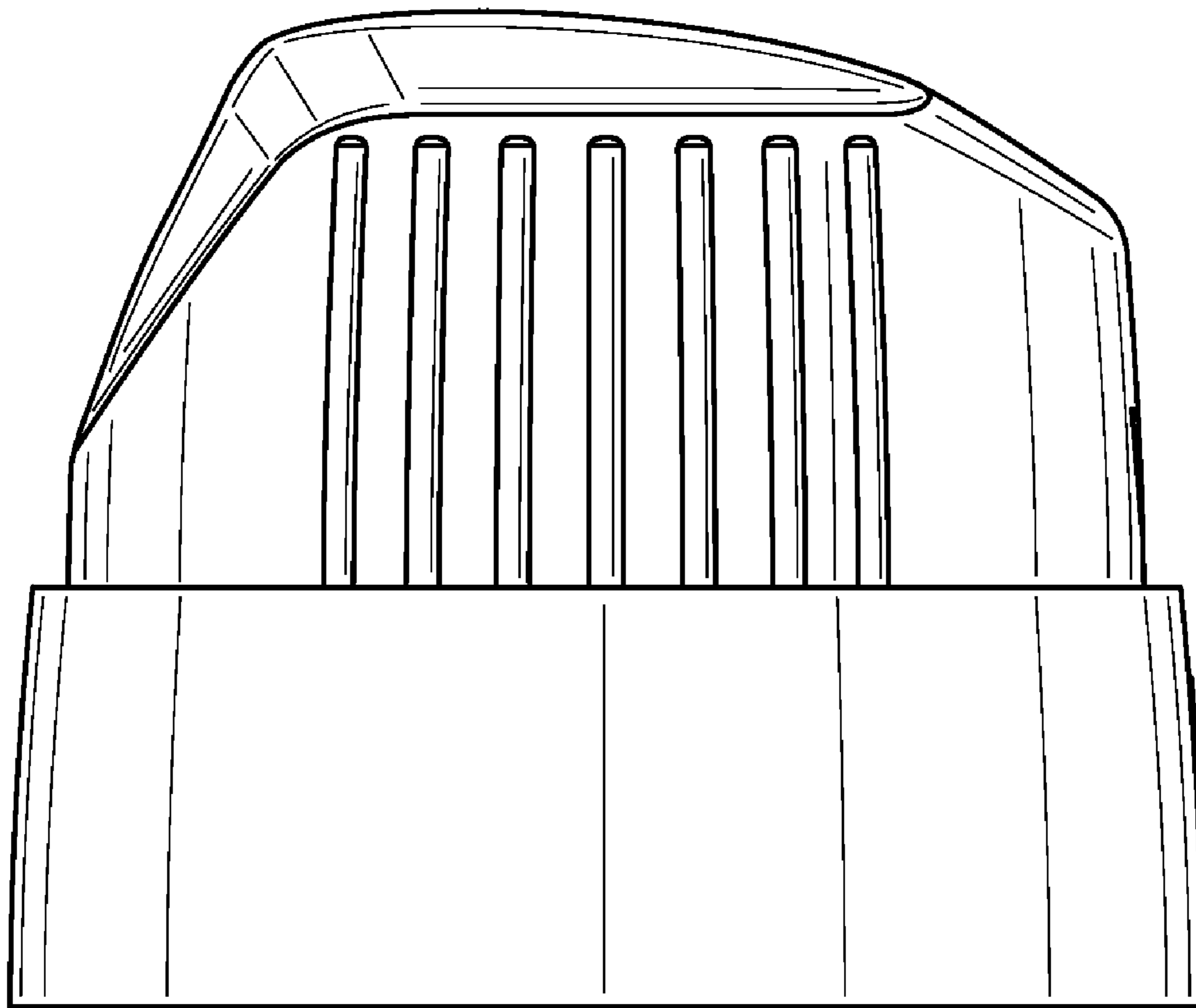


FIG. 5

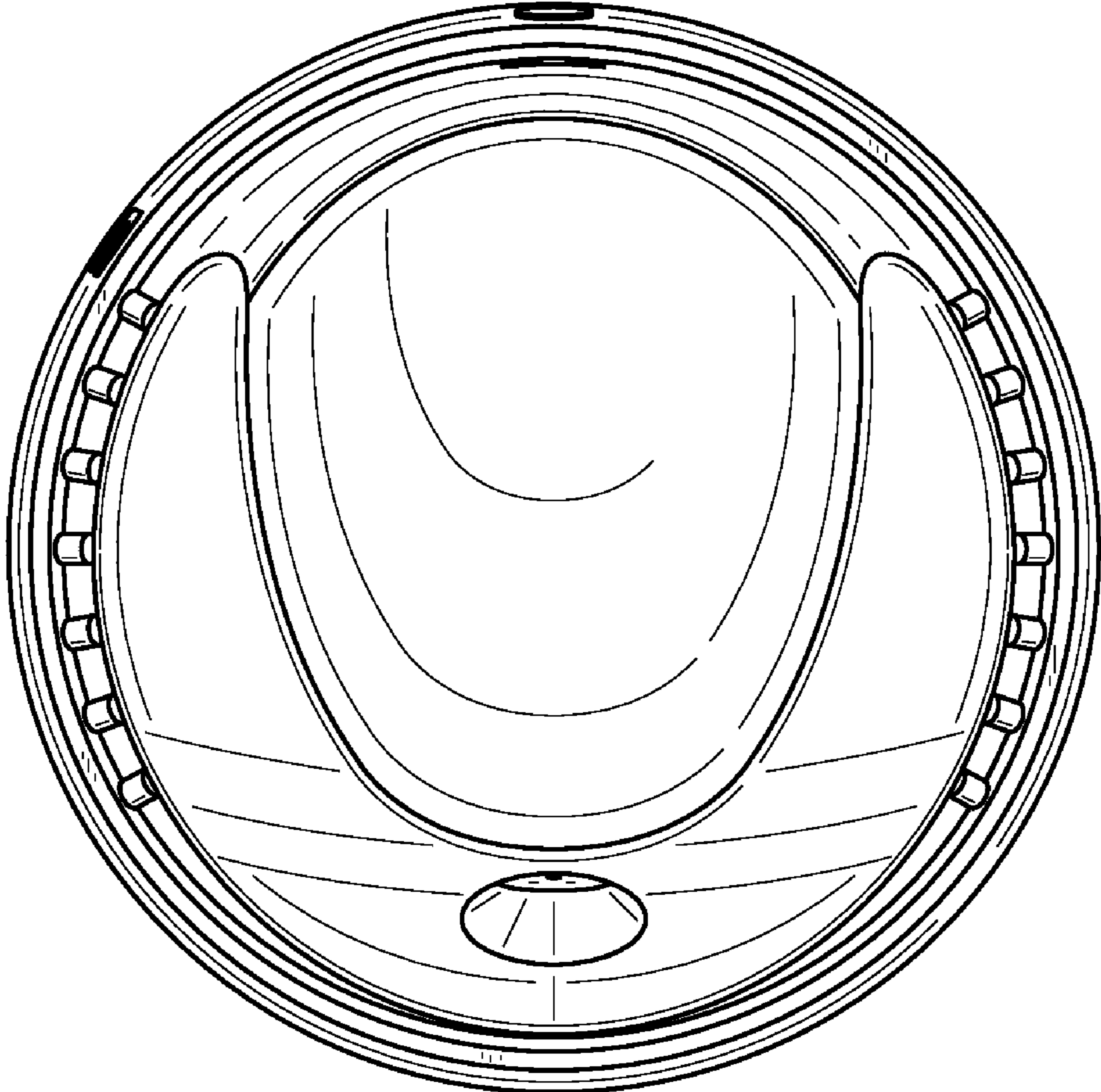


FIG. 6