



US00D627634S

(12) **United States Design Patent**  
**Chung et al.**

(10) **Patent No.:** **US D627,634 S**  
(45) **Date of Patent:** **\*\* Nov. 23, 2010**

(54) **CIGARETTE PACK**

(76) Inventors: **Won Shik Chung**, 801 S. 3rd Ave., Los Angeles, CA (US) 90005; **Soo Eun Ban**, 800 S. 5th Ave., Los Angeles, CA (US) 90005

(\*\*) Term: **14 Years**

(21) Appl. No.: **29/359,128**

(22) Filed: **Apr. 6, 2010**

(30) **Foreign Application Priority Data**

Oct. 9, 2009 (KR) ..... 30-2009-0044551  
Oct. 9, 2009 (KR) ..... 30-2009-0044554

(51) **LOC (9) Cl.** ..... **09-03**

(52) **U.S. Cl.** ..... **D9/423**

(58) **Field of Classification Search** ..... D9/420-423,  
D9/432, 433, 607; 206/236-241, 249-251,  
206/254, 255, 256-259, 261-275; 229/101,  
229/125.21, 125.37, 145, 212, 225, 160.1;  
D27/185-192

See application file for complete search history.

(56) **References Cited**

**U.S. PATENT DOCUMENTS**

3,583,625 A \* 6/1971 Gero ..... 206/264  
3,881,599 A \* 5/1975 Flaherty ..... 206/273  
D405,007 S \* 2/1999 Naas, Sr. .... D9/414  
D438,106 S \* 2/2001 Brown et al. .... D9/432

(Continued)

*Primary Examiner*—Stella M Reid

*Assistant Examiner*—Thomas J Johannes

(74) *Attorney, Agent, or Firm*—Law Office of Mark Wisnosky

(57) **CLAIM**

The ornamental design for cigarette pack, as shown and described.

**DESCRIPTION**

FIG. 1 is a perspective drawing of an embodiment of cigarette pack showing the front, left side and top view, showing my new design, the other side being a mirror image thereof.

FIG. 2 is a front view of the embodiment shown in FIG. 1.

FIG. 3 is a back view of the embodiment shown in FIG. 1.

FIG. 4 is a left side view of the embodiment shown in FIG. 1, the right side view being a mirror image thereof.

FIG. 5 is a top plan view of the embodiment shown in FIG. 1.

FIG. 6 is a bottom plan view of the embodiment shown in FIG. 1.

FIG. 7 is a perspective drawing of the embodiment of FIG. 1 showing the front, left side and top view of the pack in an open position, the other side being a mirror image thereof.

FIG. 8 is a perspective drawing of a second embodiment showing the front, left side and top view, showing my new design, the other side being a mirror image thereof.

FIG. 9 is a front view of the embodiment shown in FIG. 8.

FIG. 10 is a back view of the embodiment shown in FIG. 8.

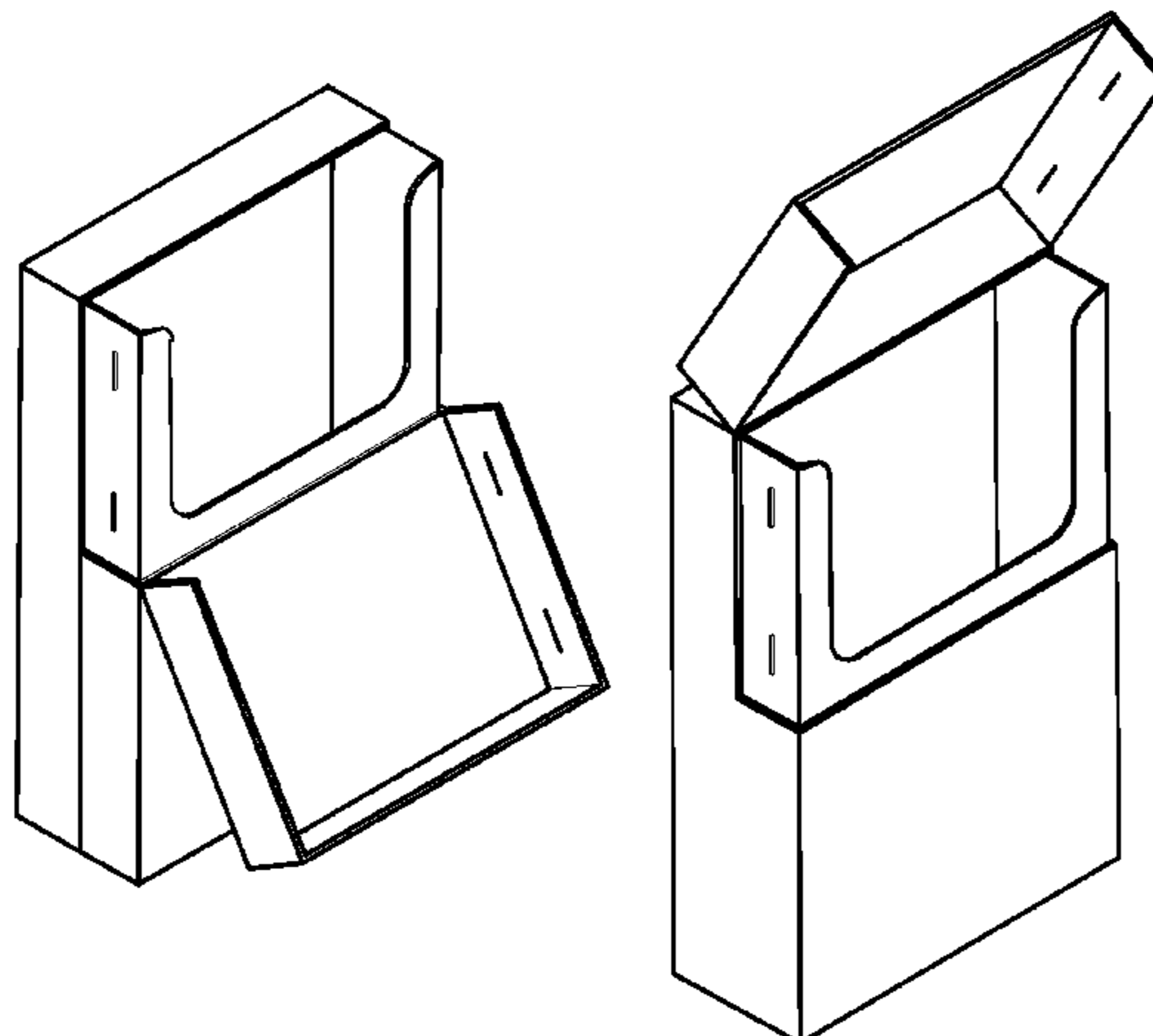
FIG. 11 is a left side view of the embodiment shown in FIG. 8, the right side view being a mirror image thereof.

FIG. 12 is a top plan view of the embodiment shown in FIG. 8.

FIG. 13 is a bottom plan view of the embodiment shown in FIG. 8; and,

FIG. 14 is a perspective drawing of the embodiment of FIG. 8 showing the front, left side and top view of the pack in an open position, the other side being a mirror image thereof.

**1 Claim, 8 Drawing Sheets**



# US D627,634 S

Page 2

---

## U.S. PATENT DOCUMENTS

D521,186 S *	5/2006	Shen .....	D27/189	D602,631 S	10/2009	Steinkamp	
7,048,115 B2 *	5/2006	Stringfield .....	206/268	D606,243 S	12/2009	Steinkamp	
D582,264 S *	12/2008	Snyder .....	D9/423	D606,244 S	12/2009	Steinkamp	
D586,502 S *	2/2009	Tearle .....	D27/189	D607,320 S *	1/2010	Tearle .....	D9/423
7,484,619 B2	2/2009	Boriani		D607,717 S *	1/2010	Hodges .....	D9/423
D590,249 S *	4/2009	Yanchev .....	D9/421	D618,090 S *	6/2010	Tearle .....	D9/423
D595,127 S *	6/2009	Gibson .....	D9/423	2007/0246383 A1 *	10/2007	He .....	206/268
D596,348 S	7/2009	Buse		2008/0230410 A1 *	9/2008	Steven Jones et al. ....	206/268

\* cited by examiner

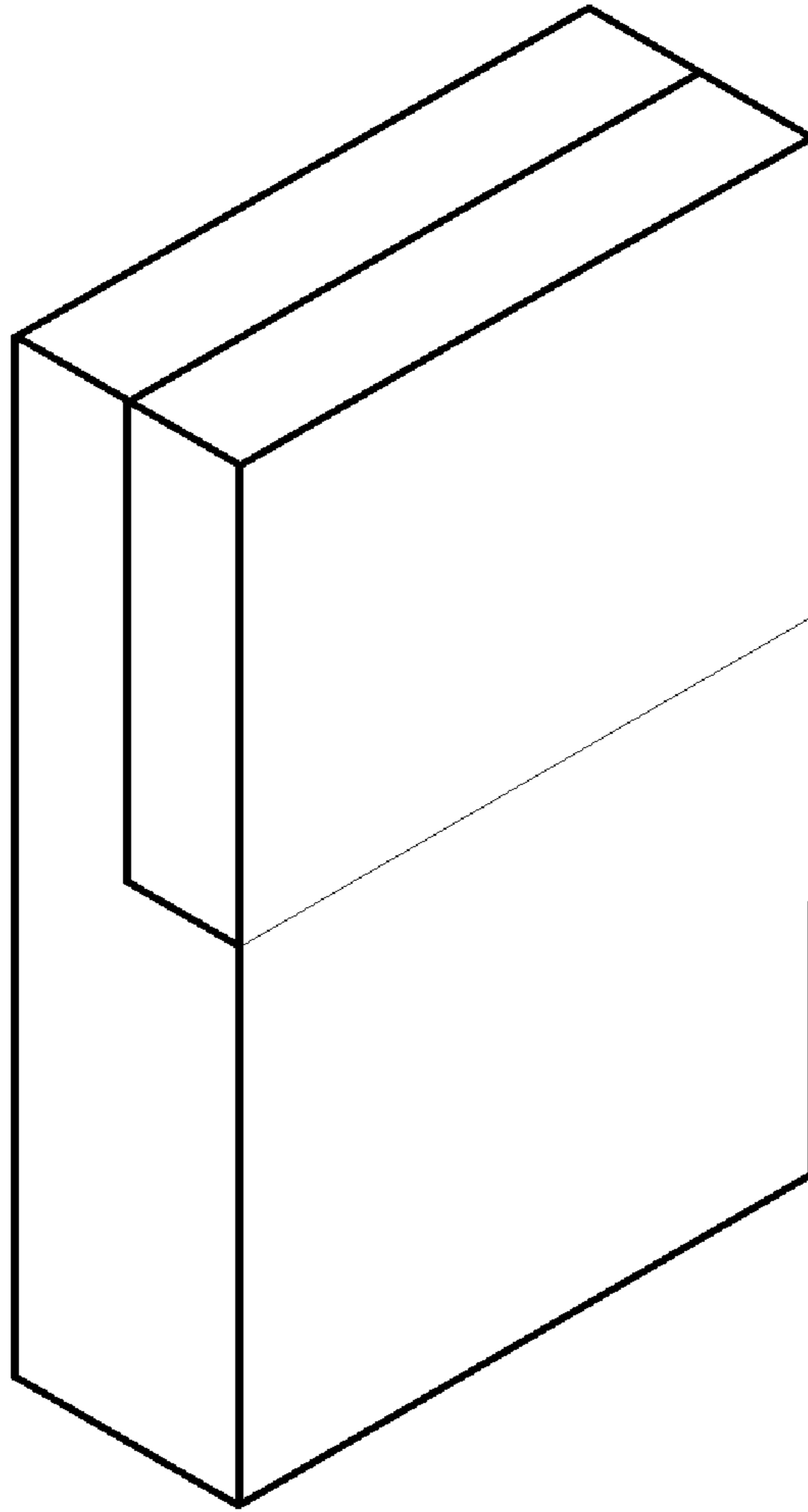


Figure 1

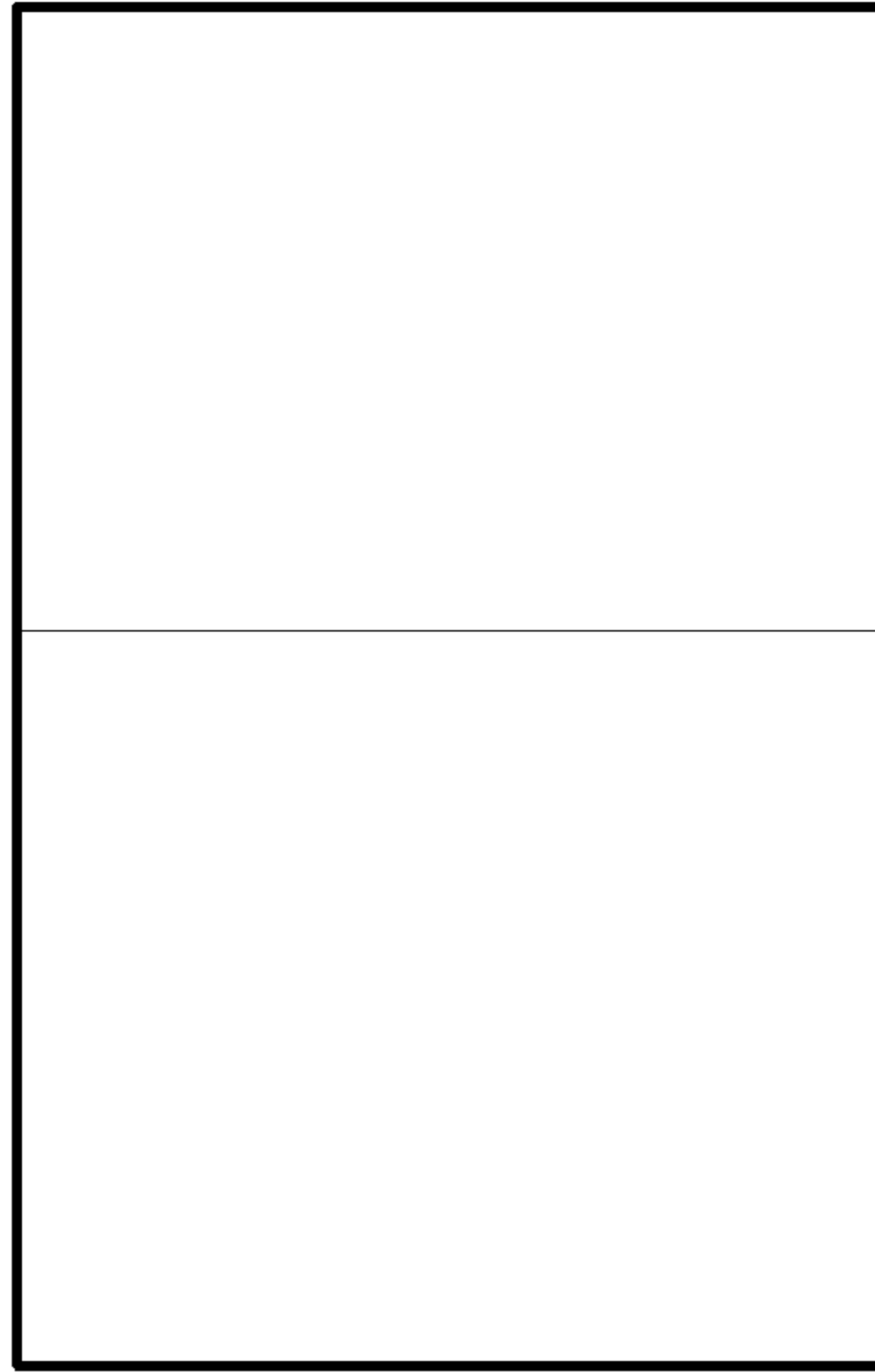


Figure 2



Figure 3

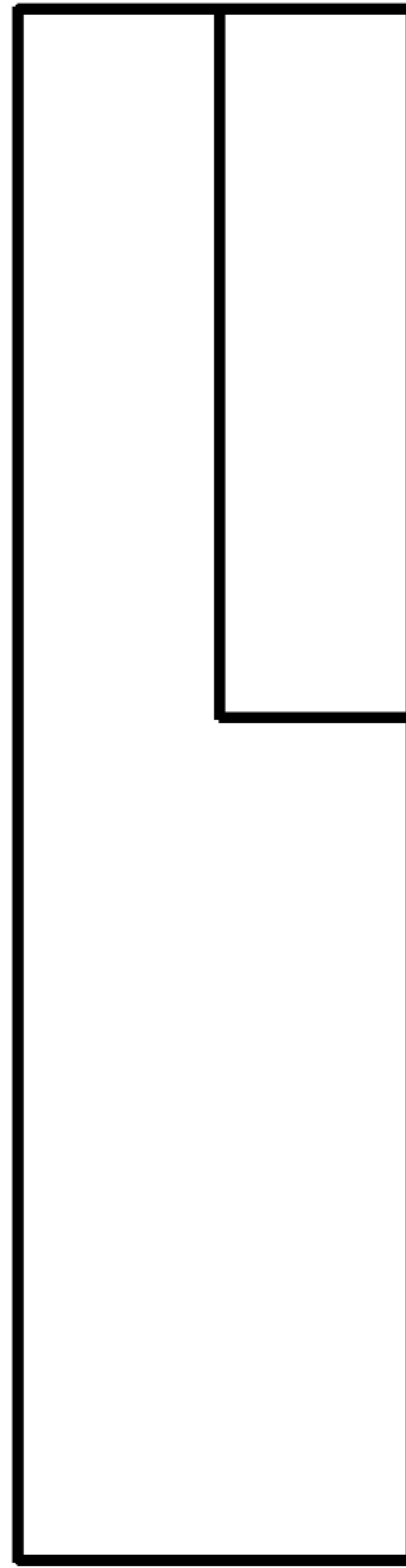


Figure 4

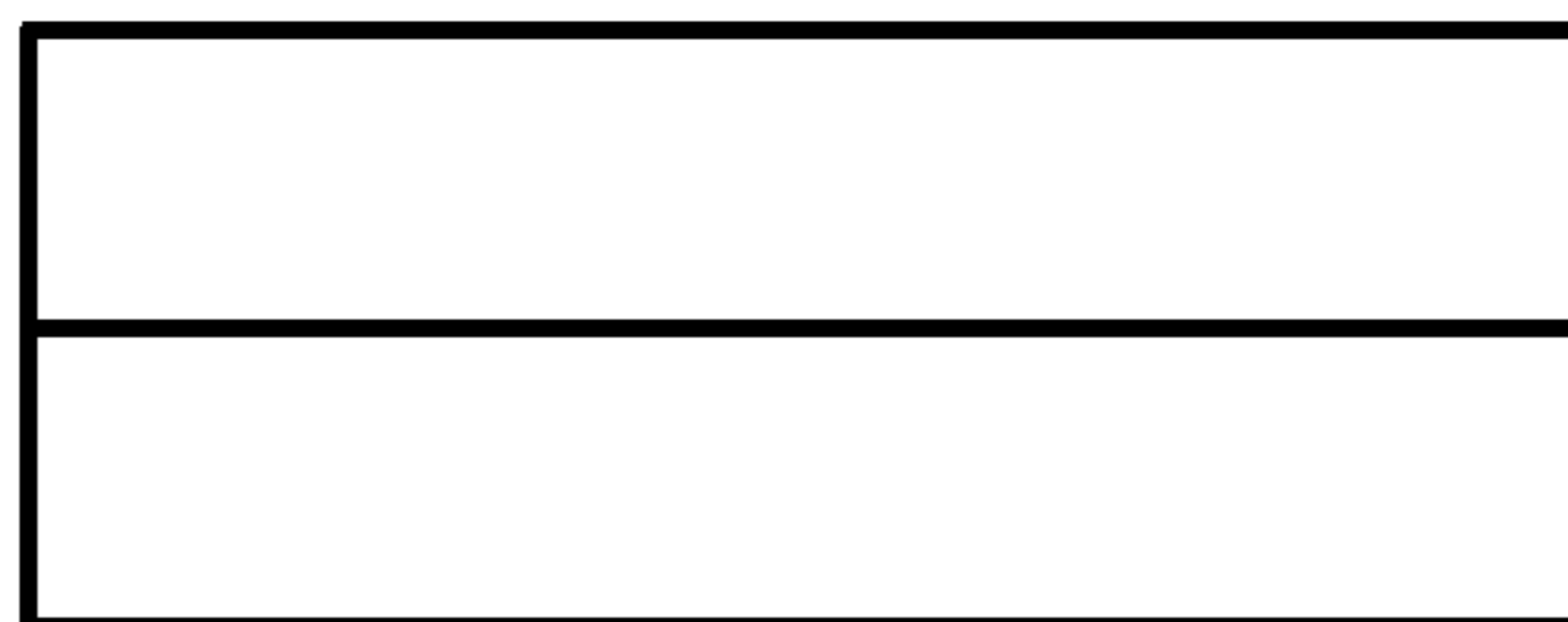


Figure 5



Figure 6

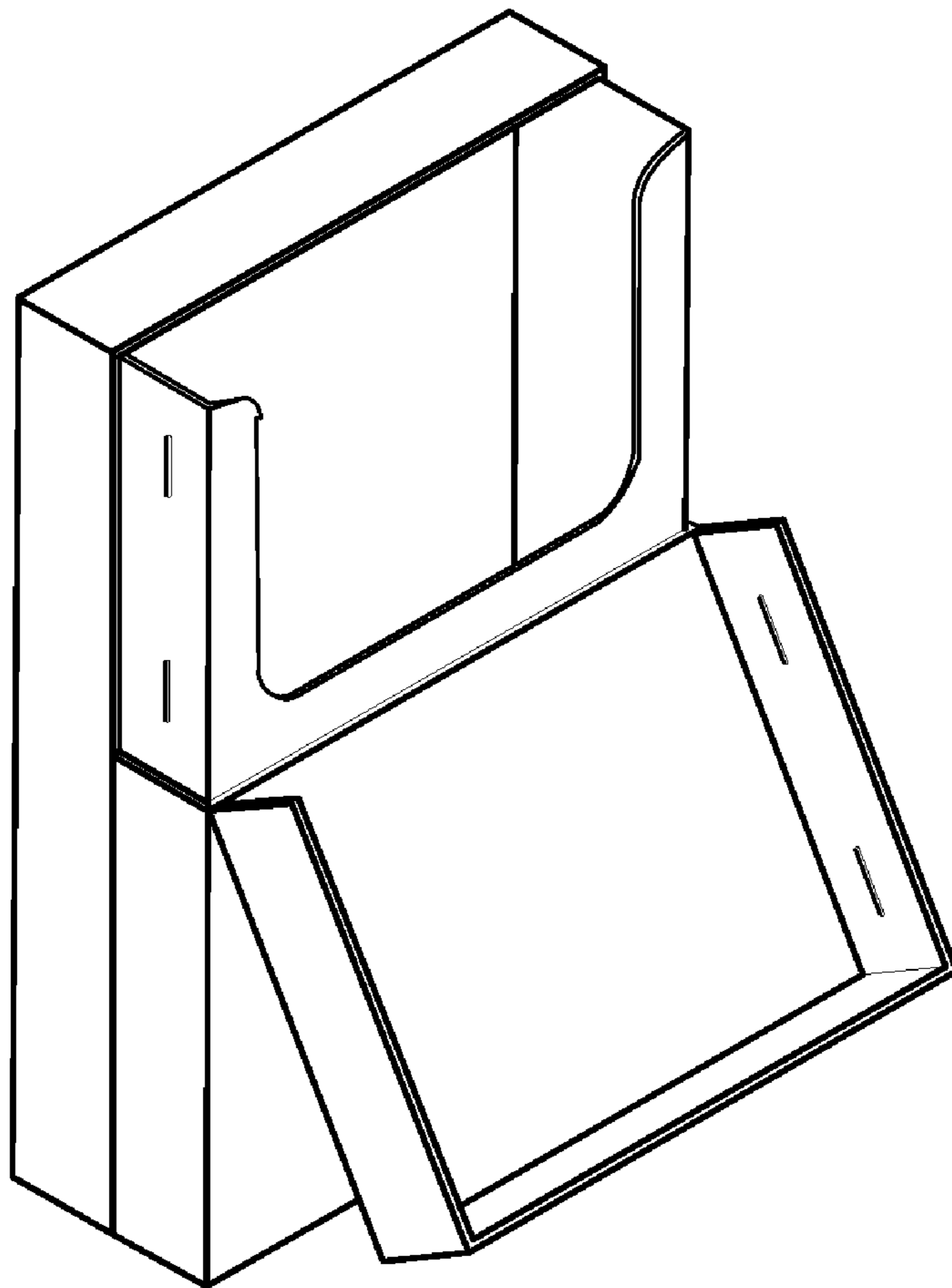


Figure 7

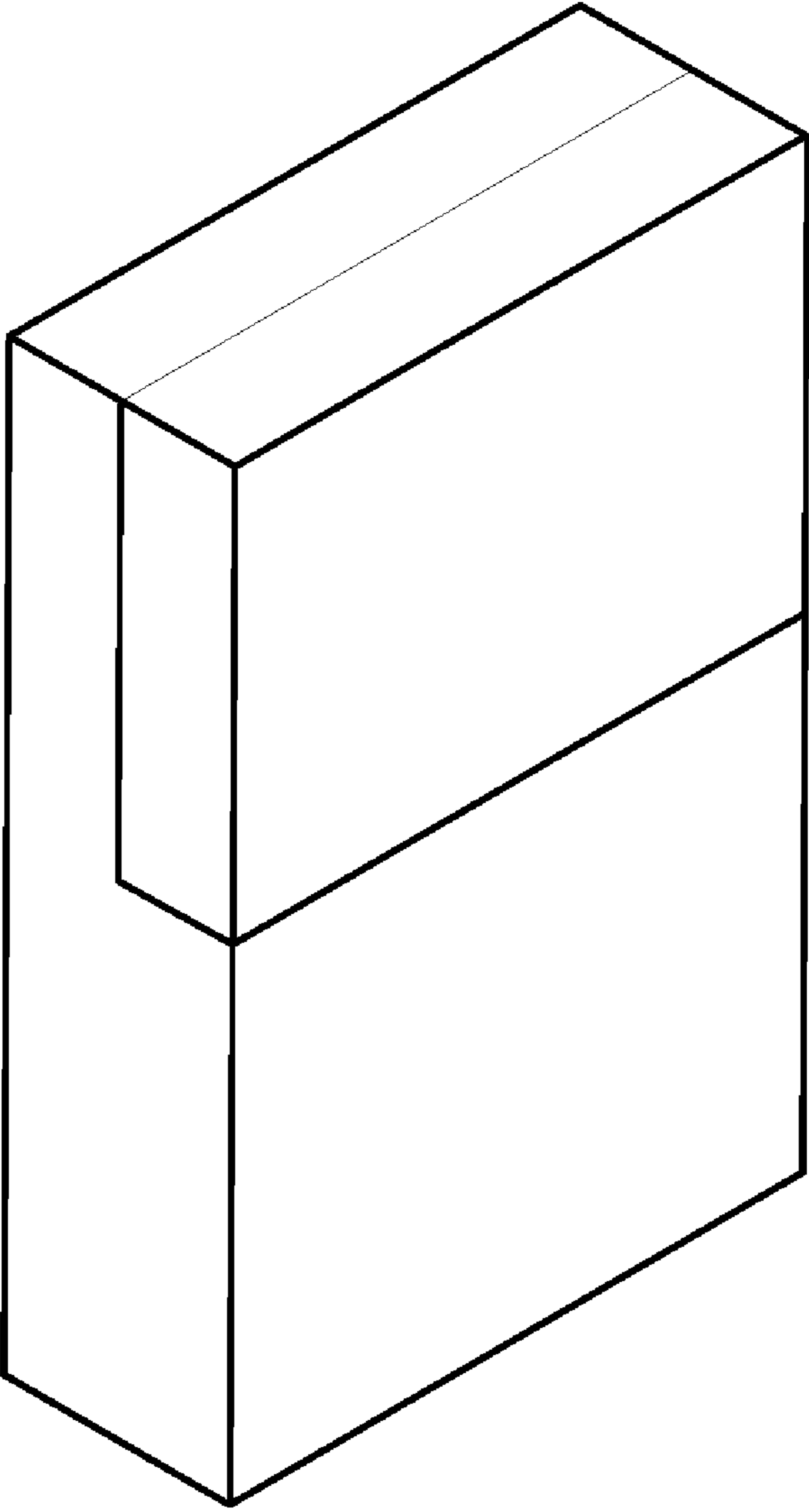


Figure 8

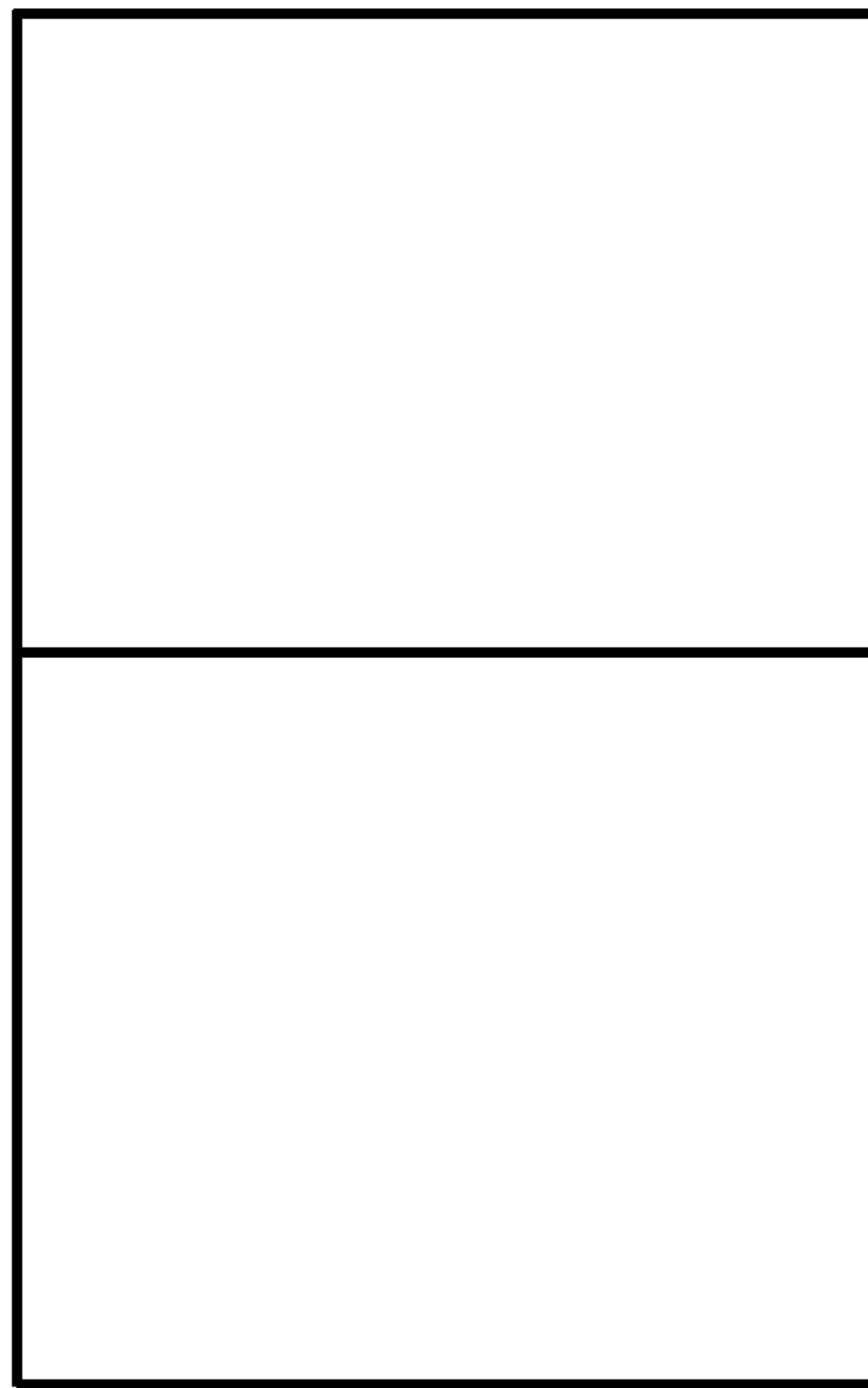


Figure 9

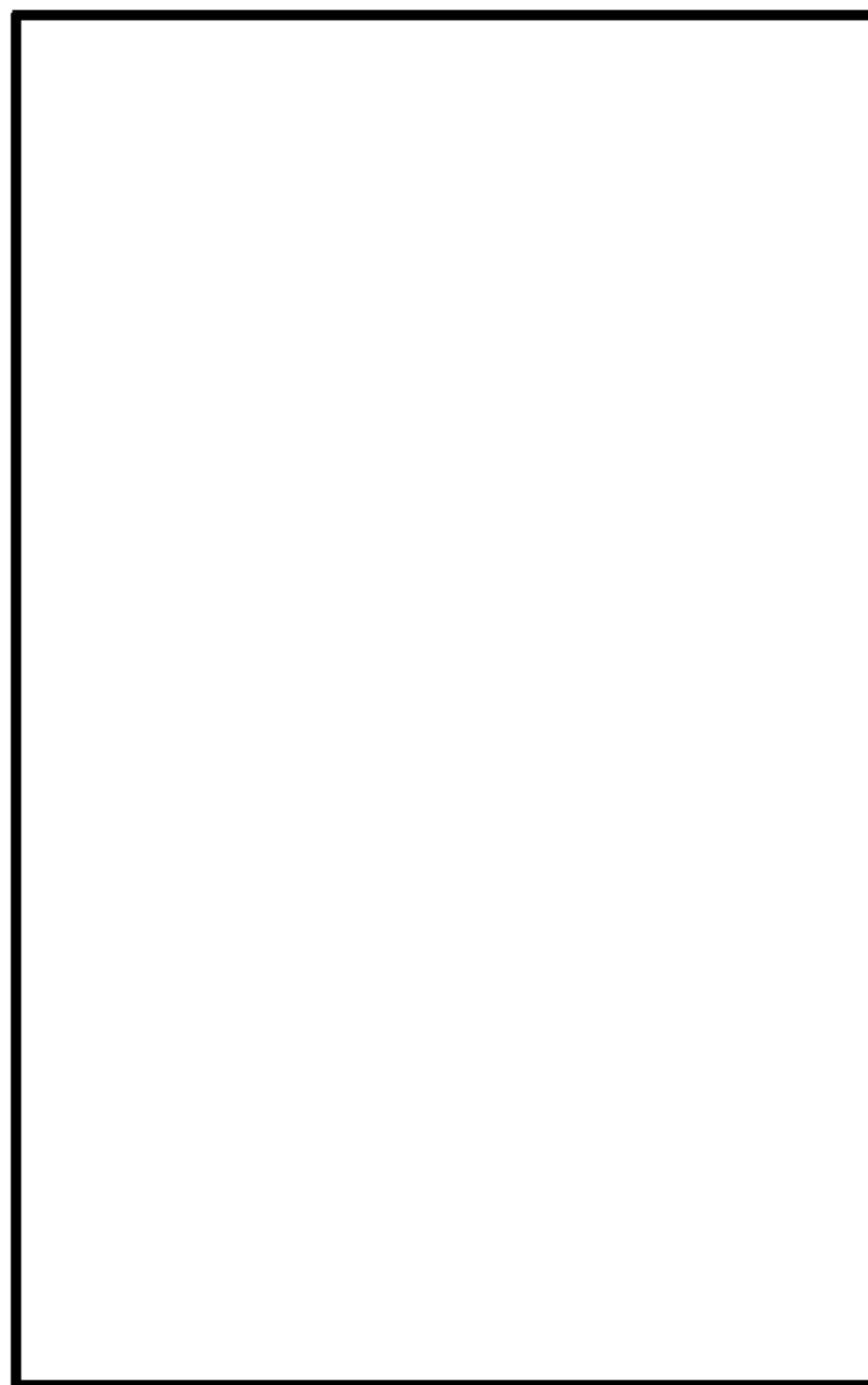


Figure 10



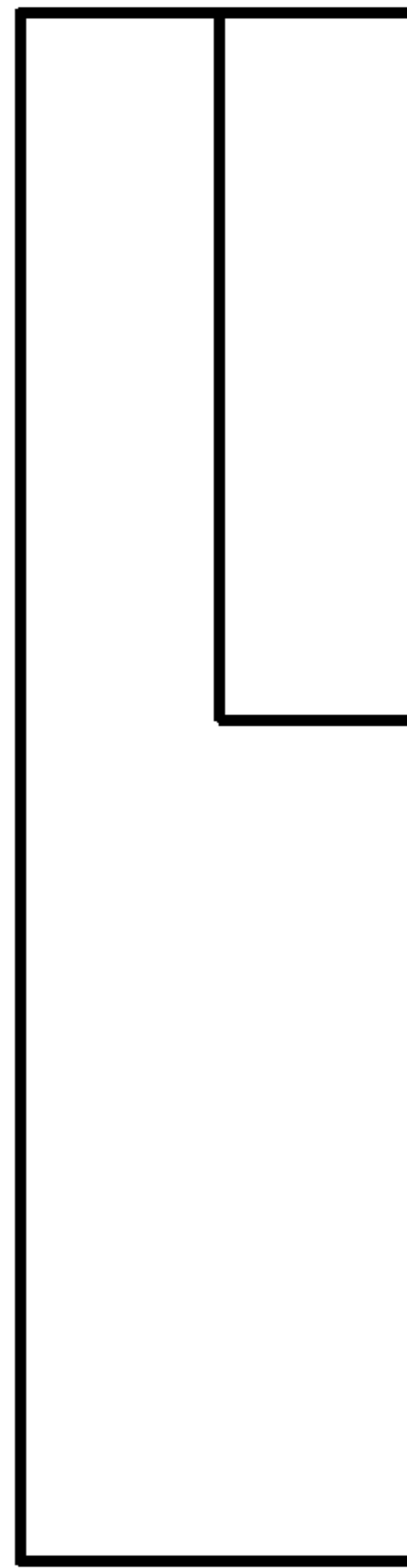


Figure 11

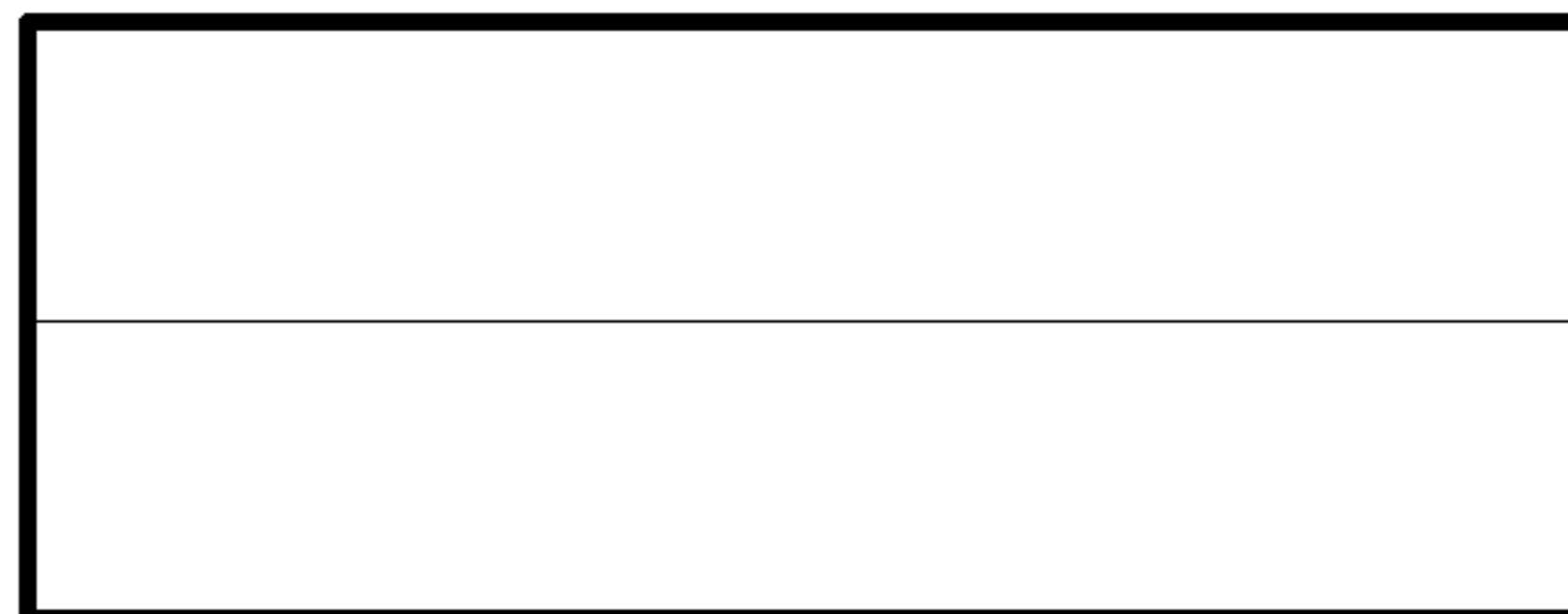


Figure 12



Figure 13

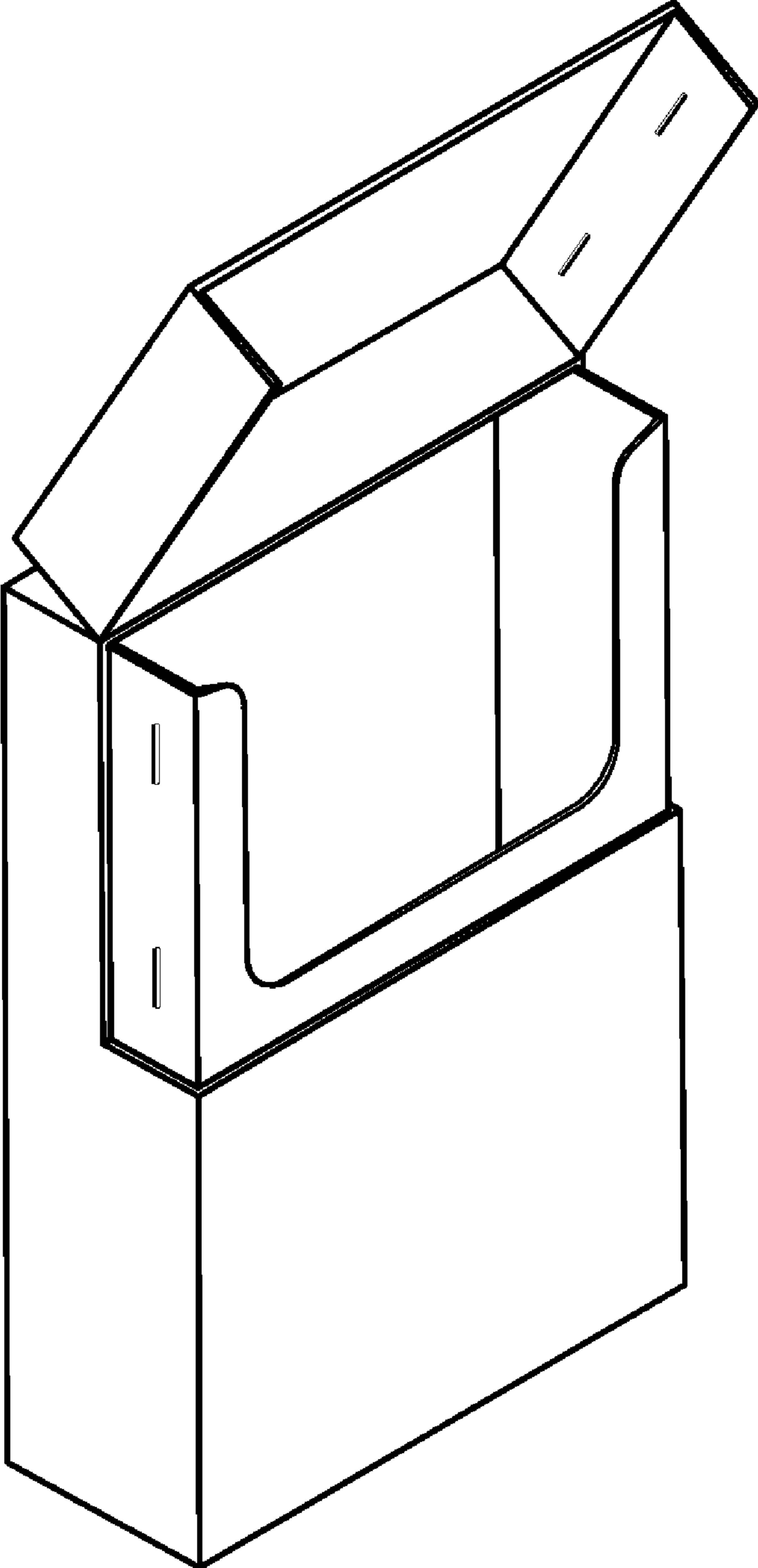


Figure 14

UNITED STATES PATENT AND TRADEMARK OFFICE  
**CERTIFICATE OF CORRECTION**

PATENT NO. : D627,634 S  
APPLICATION NO. : 29/359128  
DATED : November 23, 2010  
INVENTOR(S) : Chung et al.

Page 1 of 3

It is certified that error appears in the above-identified patent and that said Letters Patent is hereby corrected as shown below:

Title page, illustrative fig. 7 should be deleted and substitute therefore the attached title page consisting of illustrative fig. 7.

In the Drawings

In the drawings, Fig, 7 should be deleted and substitute therefore figure 7 as shown on the attached sheet 4 of 8.

Signed and Sealed this  
Twenty-fourth Day of January, 2012

A handwritten signature in black ink that reads "David J. Kappos". The signature is written in a cursive style with a large initial "D" and "K".

David J. Kappos  
*Director of the United States Patent and Trademark Office*

(12) **United States Design Patent** (10) **Patent No.:** **US D627,634 S**  
**Chung et al.** (45) **Date of Patent:** **\*\* Nov. 23, 2010**

(54) **CIGARETTE PACK**

(76) **Inventors:** **Wen Shik Chung**, 801 S. 3rd Ave., Los Angeles, CA (US) 90005; **Soo Eun Ban**, 800 S. 5th Ave., Los Angeles, CA (US) 90005

(\*\*) **Term:** **14 Years**

(21) **Appl. No.:** **29/359,128**

(22) **Filed:** **Apr. 6, 2010**

(30) **Foreign Application Priority Data**

Oct. 9, 2009 (KR) ..... 30-2009-0044551  
 Oct. 9, 2009 (KR) ..... 30-2009-0044554

(51) **LOC (9) Cl.** ..... **09-03**

(52) **U.S. Cl.** ..... **D9/423**

(58) **Field of Classification Search** ..... **D9/420-423, D9/432, 433, 607; 206/236-241, 249-251, 206/254, 255, 256-259, 261-275; 229/101, 229/125.21, 125.37, 145, 212, 225, 160.1; D27/185-192**

See application file for complete search history.

(56) **References Cited**

**U.S. PATENT DOCUMENTS**

3,583,625 A \* 6/1971 Gero ..... 206/264  
 3,881,599 A \* 5/1975 Flaherty ..... 206/273  
 D405,007 S \* 2/1999 Naas, Sr. .... D9/414  
 D438,106 S \* 2/2001 Brown et al. .... D9/432

(Continued)

*Primary Examiner*—Stella M Reid

*Assistant Examiner*—Thomas J Johannes

(74) *Attorney, Agent, or Firm*—Law Office of Mark Wisnosky

(57) **CLAIM**

The ornamental design for cigarette pack, as shown and described.

**DESCRIPTION**

FIG. 1 is a perspective drawing of an embodiment of cigarette pack showing the front, left side and top view, showing my new design, the other side being a mirror image thereof.

FIG. 2 is a front view of the embodiment shown in FIG. 1.

FIG. 3 is a back view of the embodiment shown in FIG. 1.

FIG. 4 is a left side view of the embodiment shown in FIG. 1, the right side view being a mirror image thereof.

FIG. 5 is a top plan view of the embodiment shown in FIG. 1.

FIG. 6 is a bottom plan view of the embodiment shown in FIG. 1.

FIG. 7 is a perspective drawing of the embodiment of FIG. 1 showing the front, left side and top view of the pack in an open position, the other side being a mirror image thereof.

FIG. 8 is a perspective drawing of a second embodiment showing the front, left side and top view, showing my new design, the other side being a mirror image thereof.

FIG. 9 is a front view of the embodiment shown in FIG. 8.

FIG. 10 is a back view of the embodiment shown in FIG. 8.

FIG. 11 is a left side view of the embodiment shown in FIG. 8, the right side view being a mirror image thereof.

FIG. 12 is a top plan view of the embodiment shown in FIG. 8.

FIG. 13 is a bottom plan view of the embodiment shown in FIG. 8; and,

FIG. 14 is a perspective drawing of the embodiment of FIG. 8 showing the front, left side and top view of the pack in an open position, the other side being a mirror image thereof.

**1 Claim, 8 Drawing Sheets**

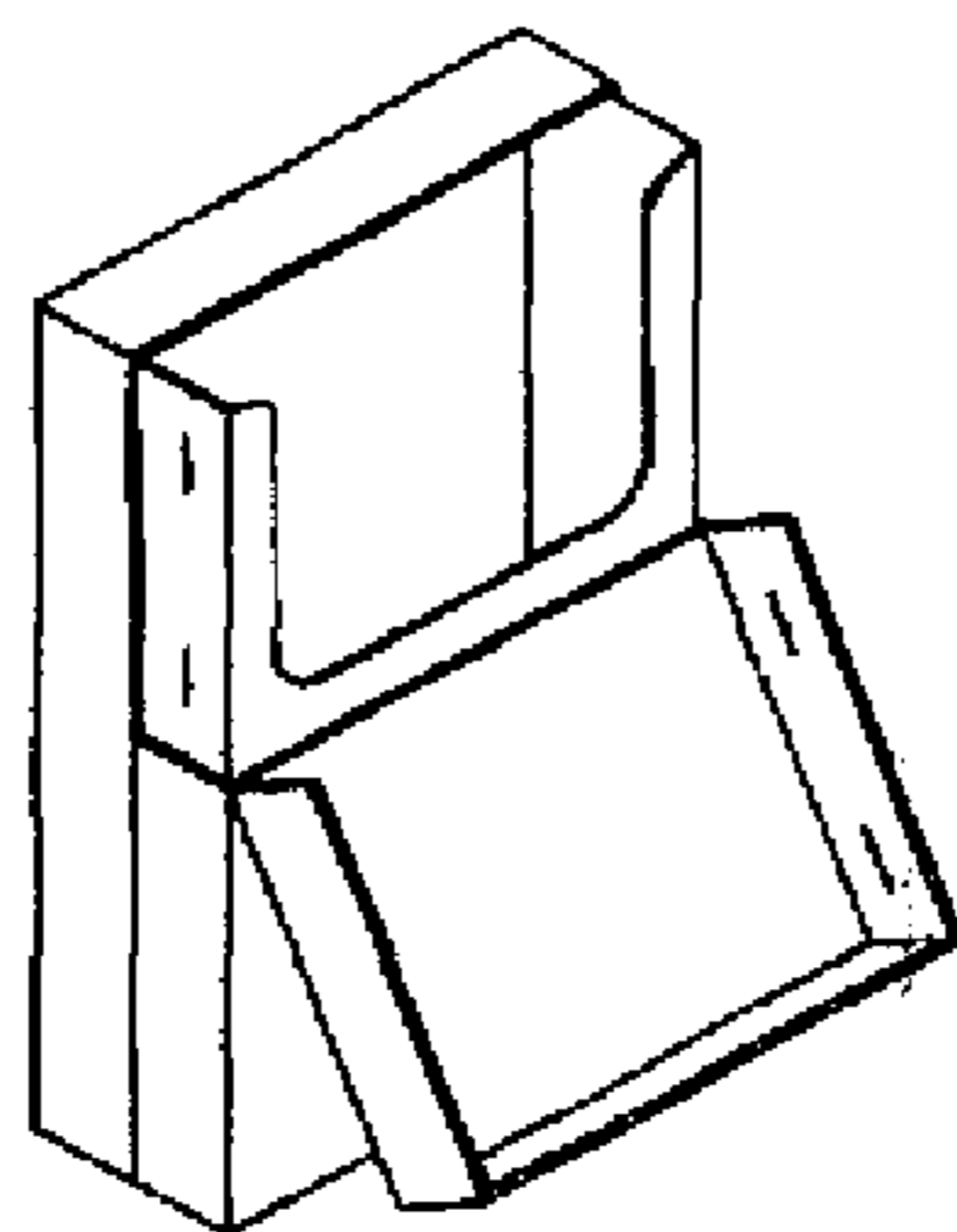


Figure 7

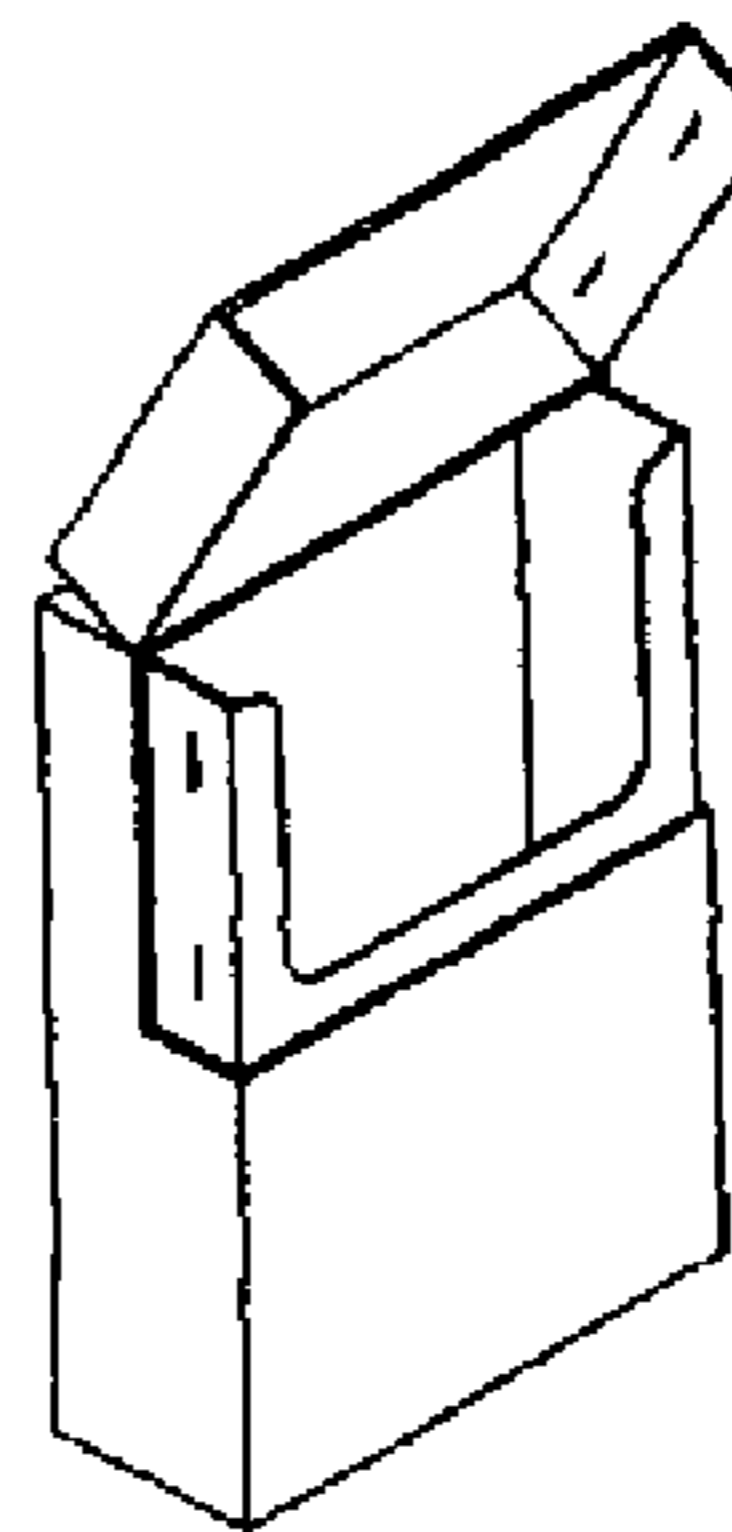


Figure 14

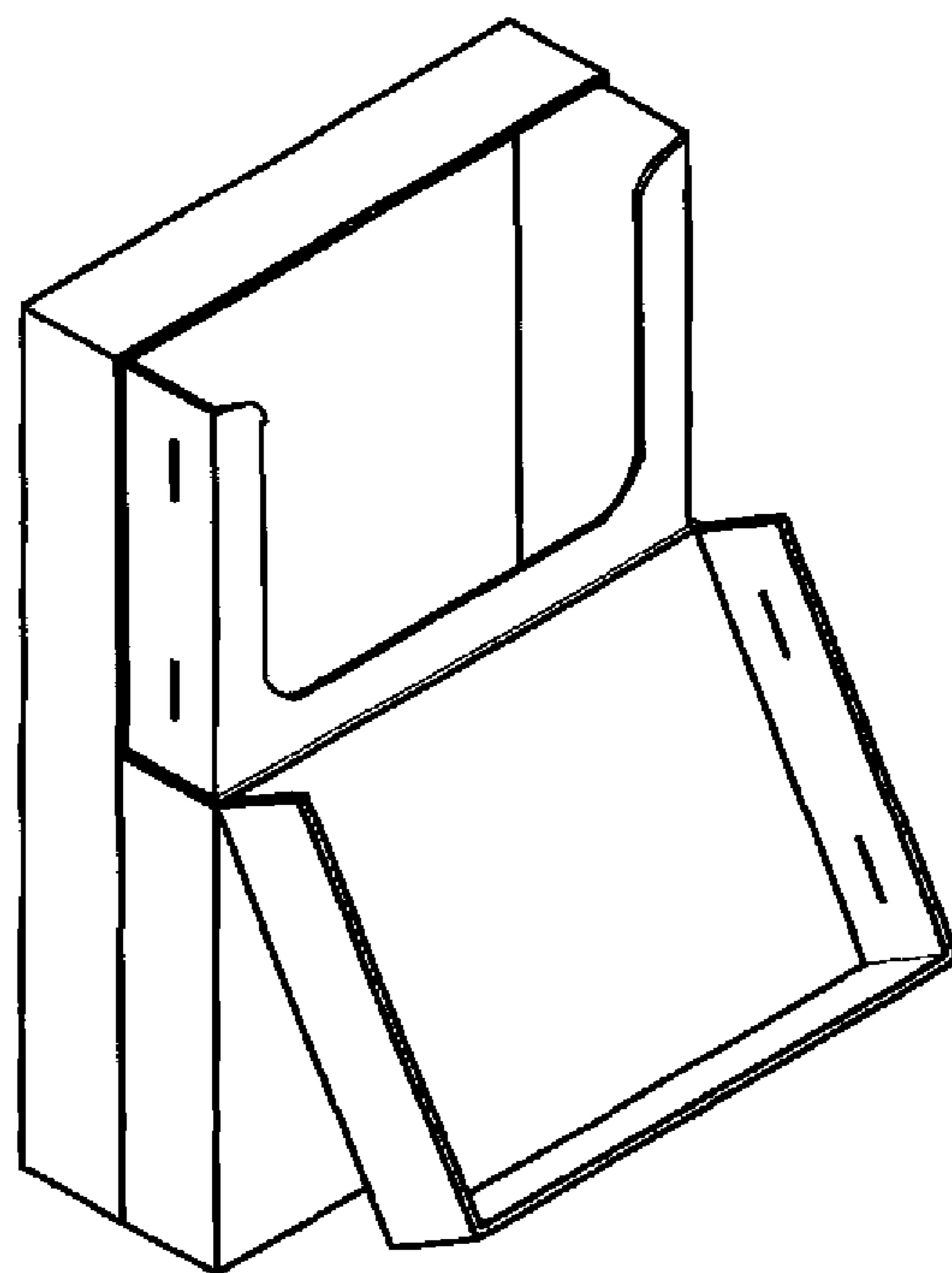


Figure 7