



US00D627630S

(12) **United States Design Patent**
Sandinge

(10) **Patent No.:** **US D627,630 S**

(45) **Date of Patent:** **** Nov. 23, 2010**

(54) **BEAM SUPPORT BRACKET**

D561,570 S * 2/2008 Kubota D8/381

(75) Inventor: **Fredrik Sandinge**, Mölndal (SE)

(73) Assignee: **FlexLink Components AB** (SE)

(**) Term: **14 Years**

(21) Appl. No.: **29/357,156**

(22) Filed: **Mar. 8, 2010**

(30) **Foreign Application Priority Data**

Sep. 11, 2009 (EM) 001163935-0006

(51) **LOC (9) Cl.** **08-05**

(52) **U.S. Cl.** **D8/380**

(58) **Field of Classification Search** D8/382,
D8/381, 380, 373, 360, 359, 358, 354, 349;
D3/24; D15/5, 199, 147, 138; 474/7, 66,
474/52, 47-53, 29, 198, 196, 161; 315/15;
248/638, 636, 250, 235, 200; 242/532.6,
242/530.3, 476.6, 118.6; 239/197; 160/315;
137/355.26, 355.2, 355.19, 355.16; 108/157.13,
108/147.12-147.17

See application file for complete search history.

(56) **References Cited**

U.S. PATENT DOCUMENTS

D376,529 S * 12/1996 Davies et al. D8/349

* cited by examiner

Primary Examiner—Susan Bennett Hattan

(74) *Attorney, Agent, or Firm*—Schwegman, Lundberg & Woessner, P.A.

(57) **CLAIM**

The ornamental design for a beam support bracket, as shown and described.

DESCRIPTION

FIG. 1 is a front/top side perspective view of the beam support bracket according to my design;

FIG. 2 is a left side view with the top side oriented up thereof;

FIG. 3 is a front view with the top side oriented down thereof;

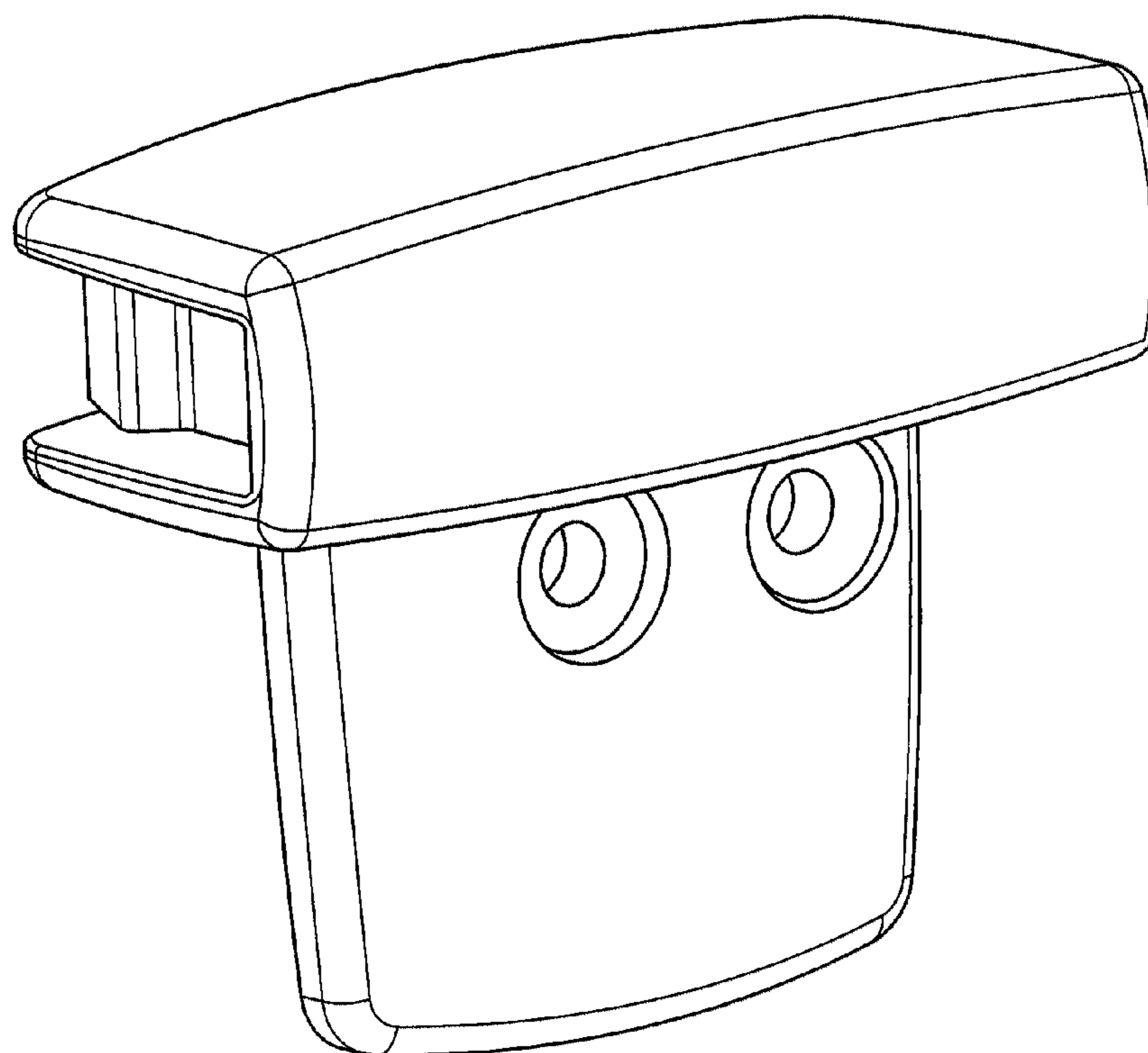
FIG. 4 is a right side view with the top side oriented to the right thereof;

FIG. 5 is a back side view with the back side oriented to the left thereof;

FIG. 6 is a bottom view thereof; and,

FIG. 7 is a top view thereof.

1 Claim, 6 Drawing Sheets



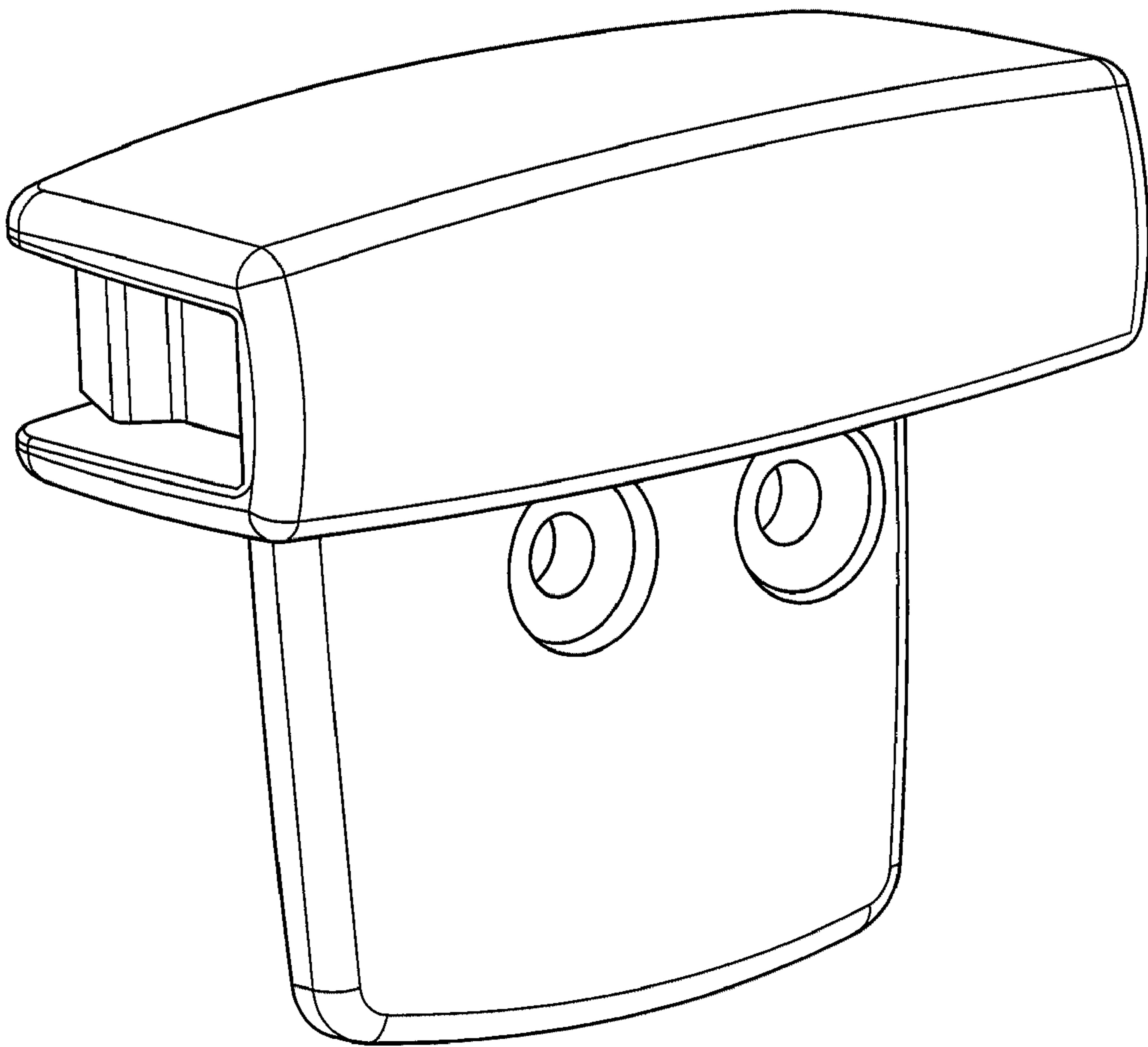


FIG. 1

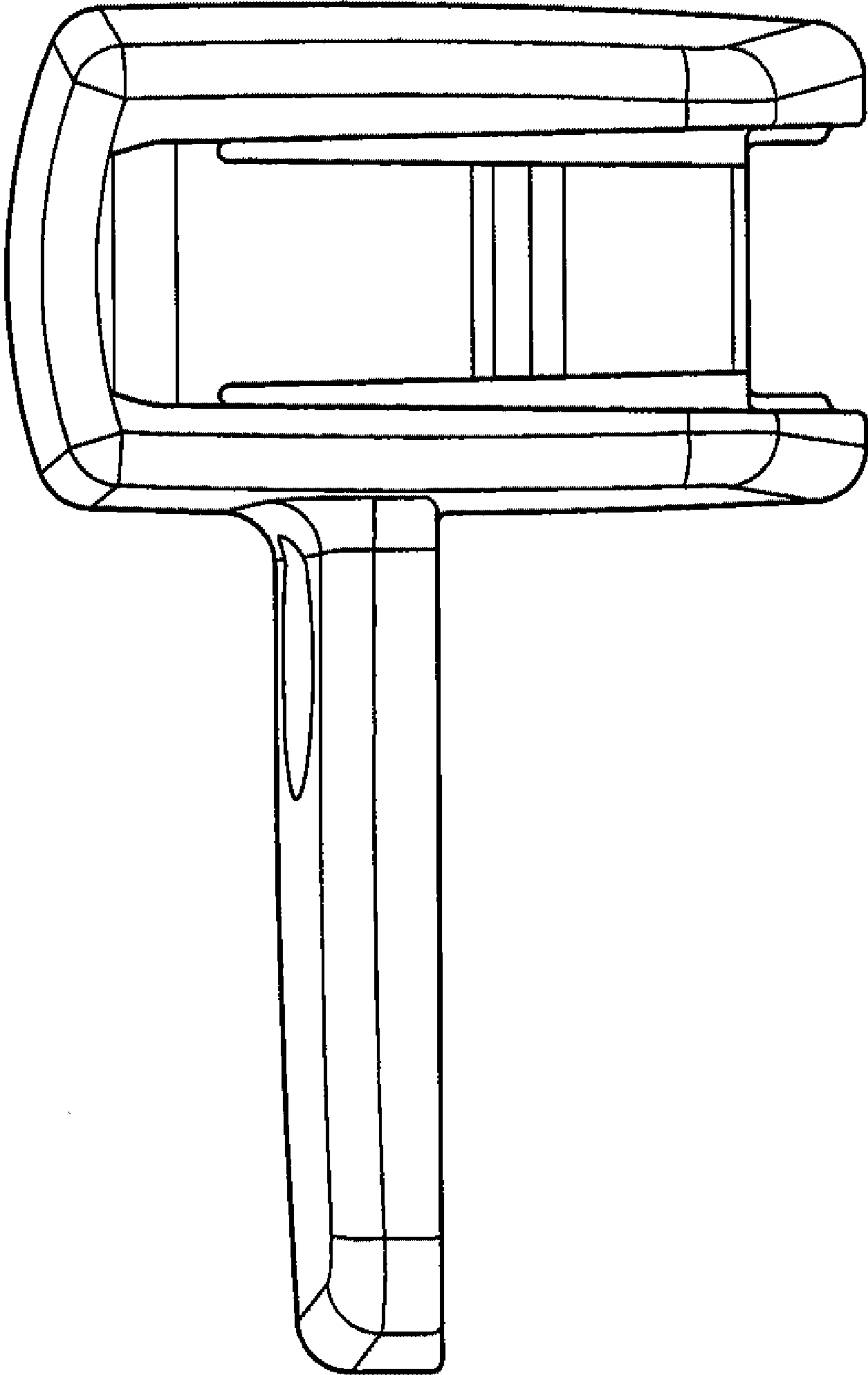


FIG. 2

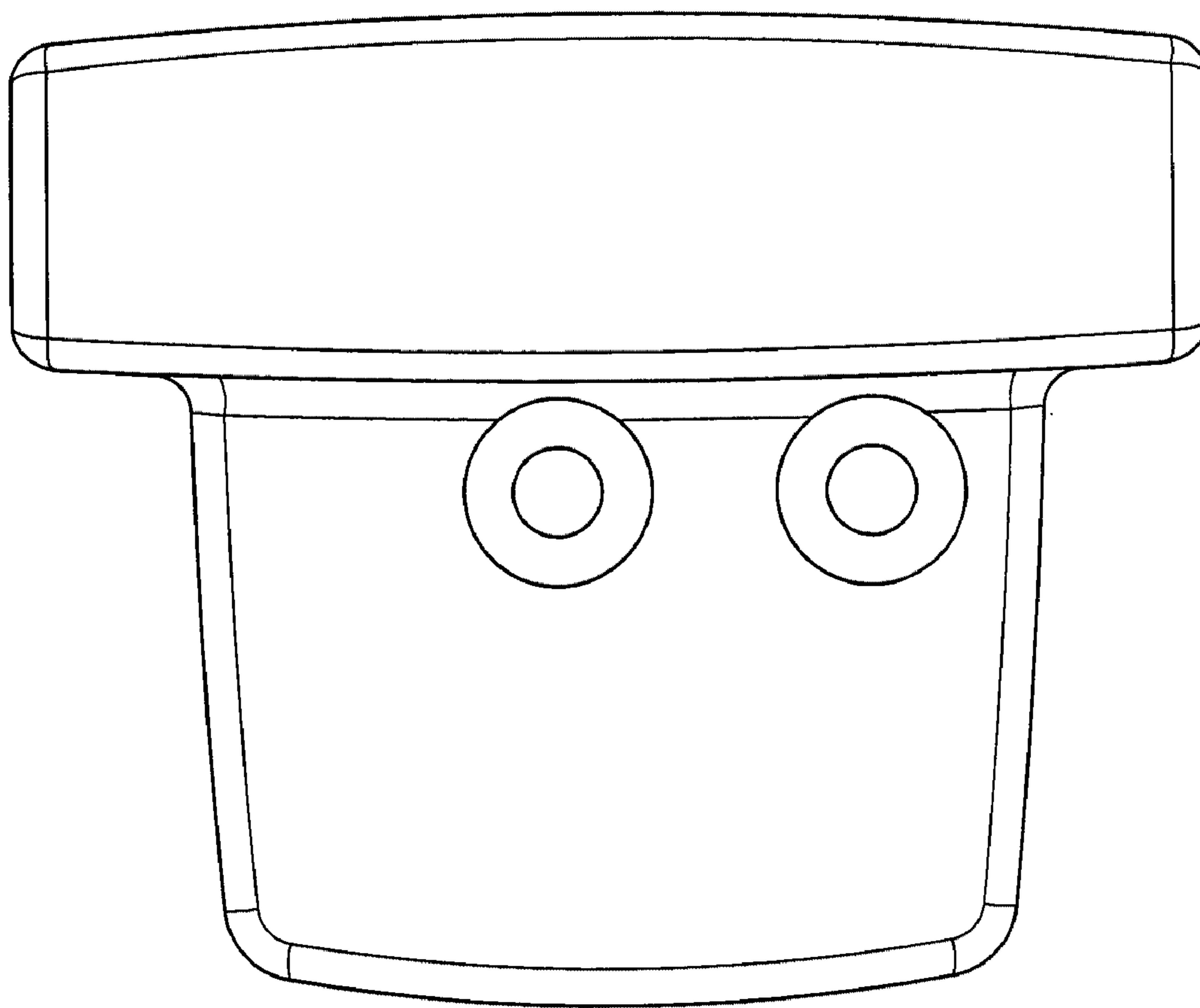


FIG. 3

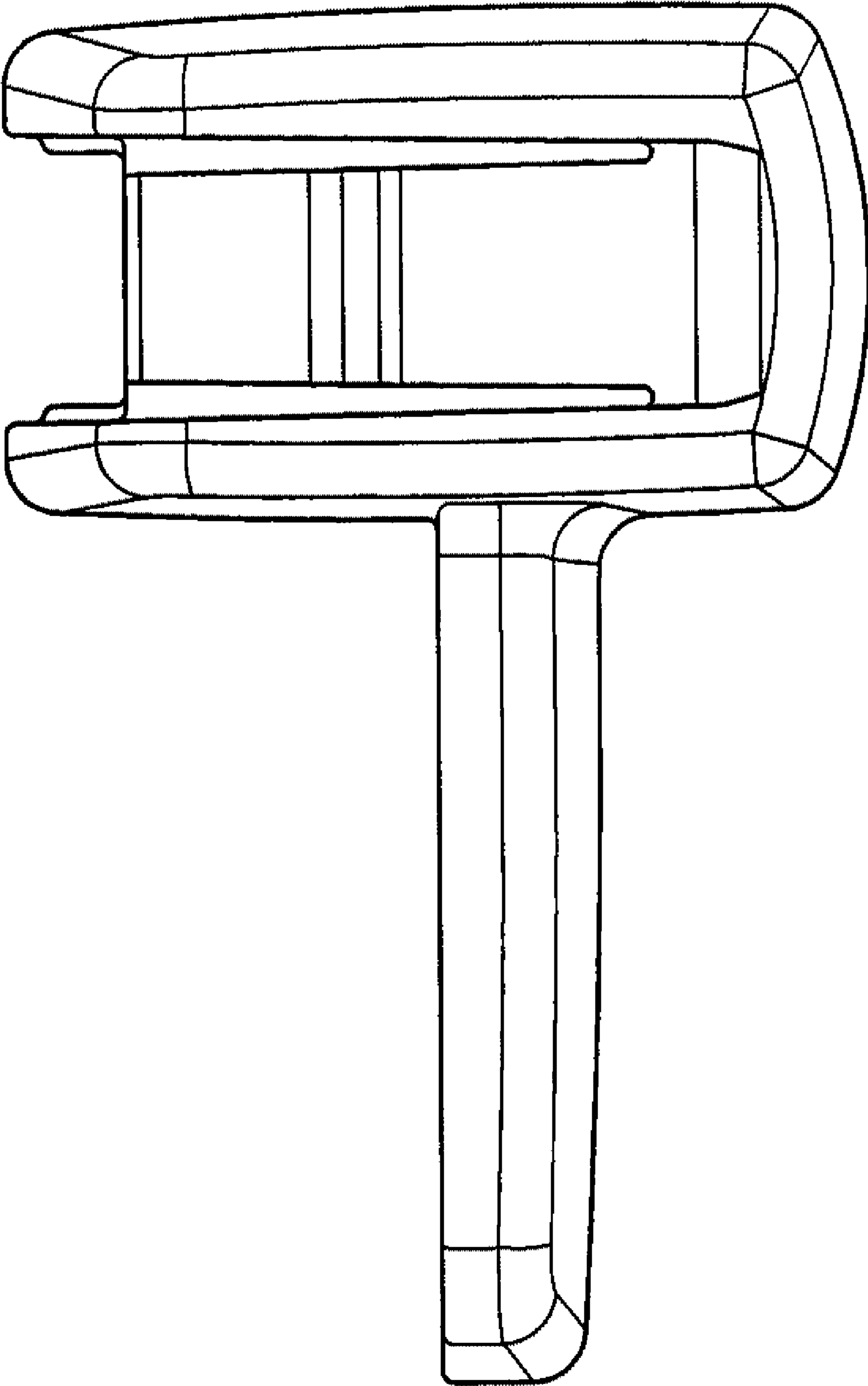


FIG. 4

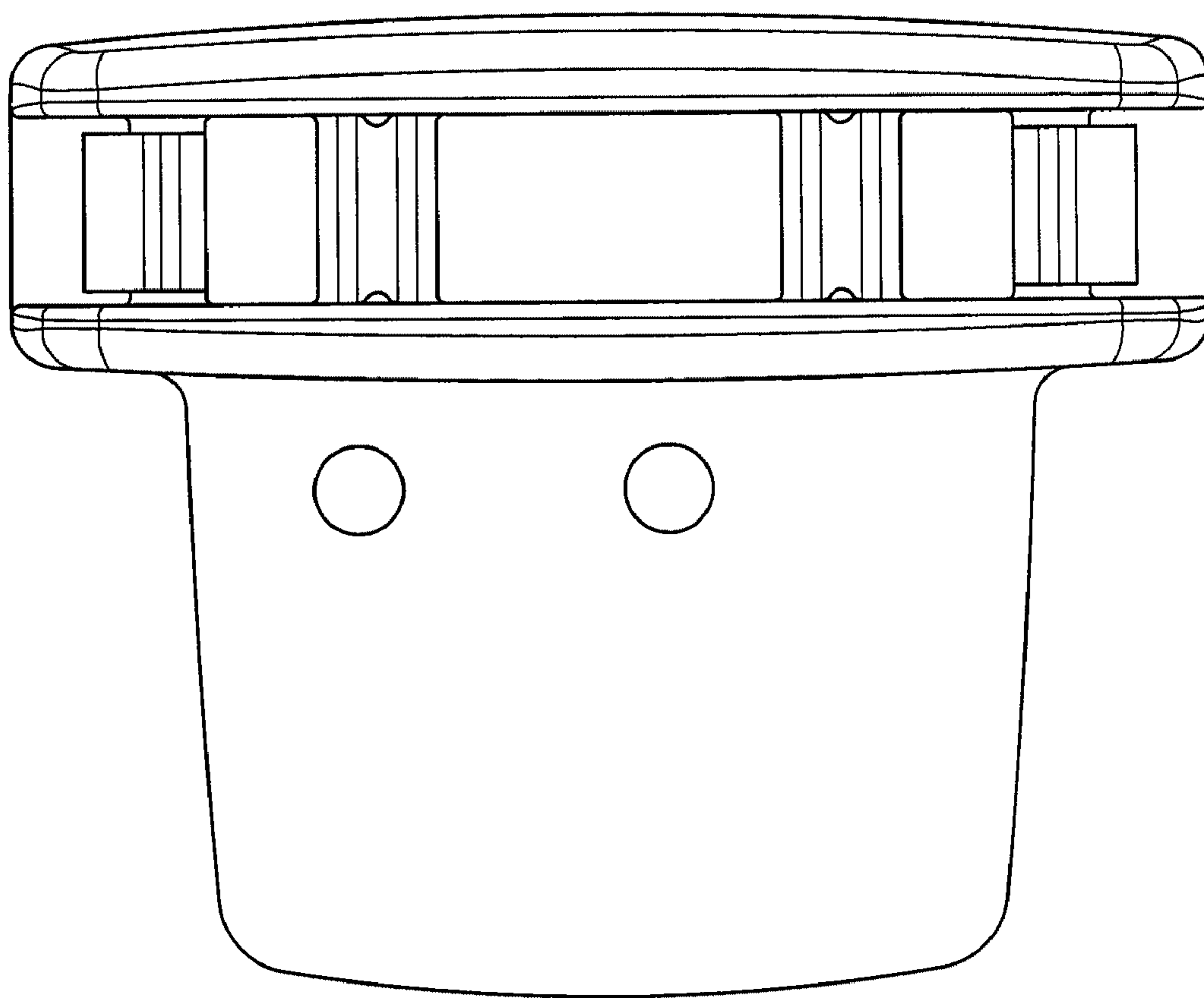


FIG. 5

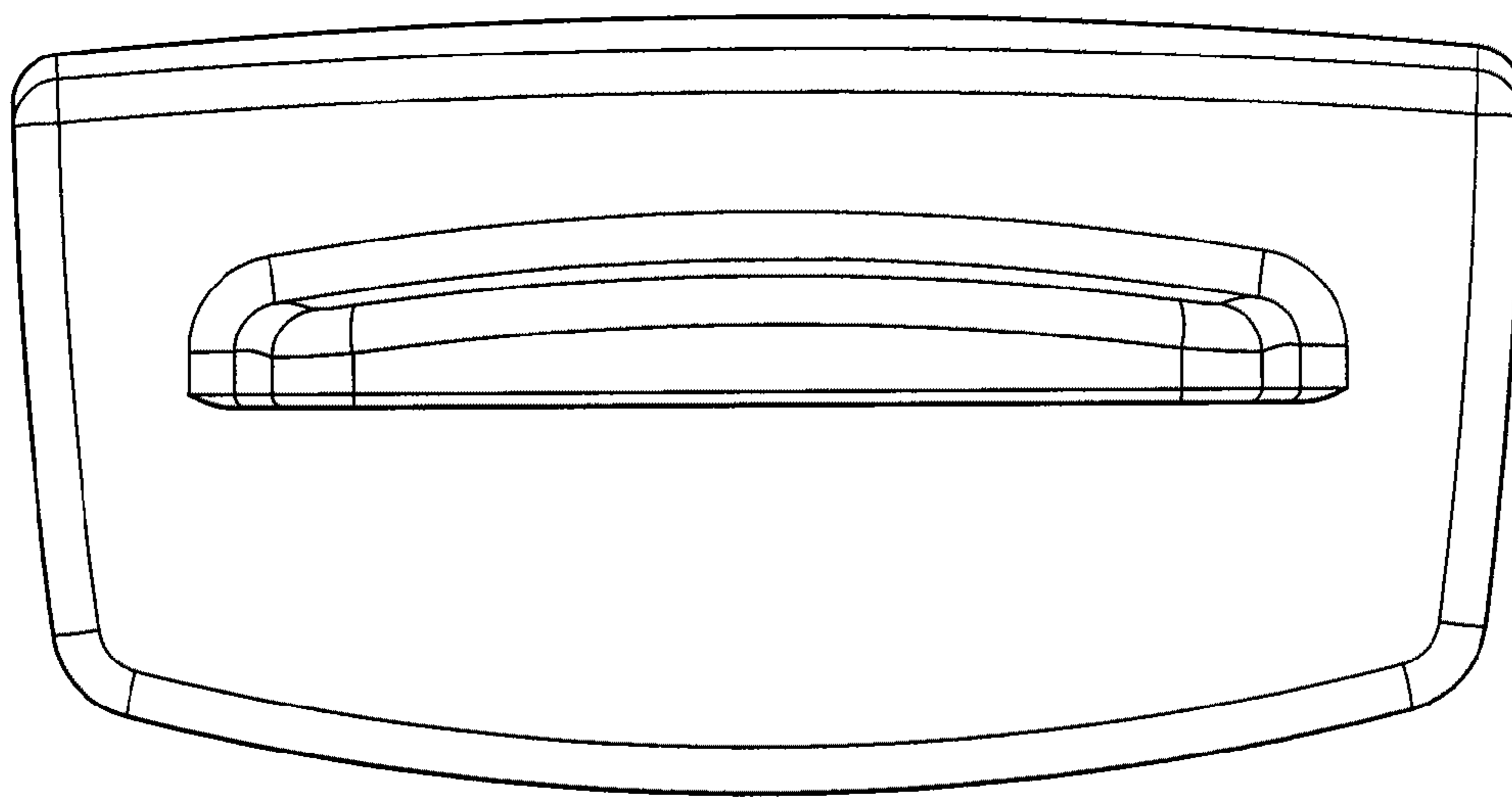


FIG. 6

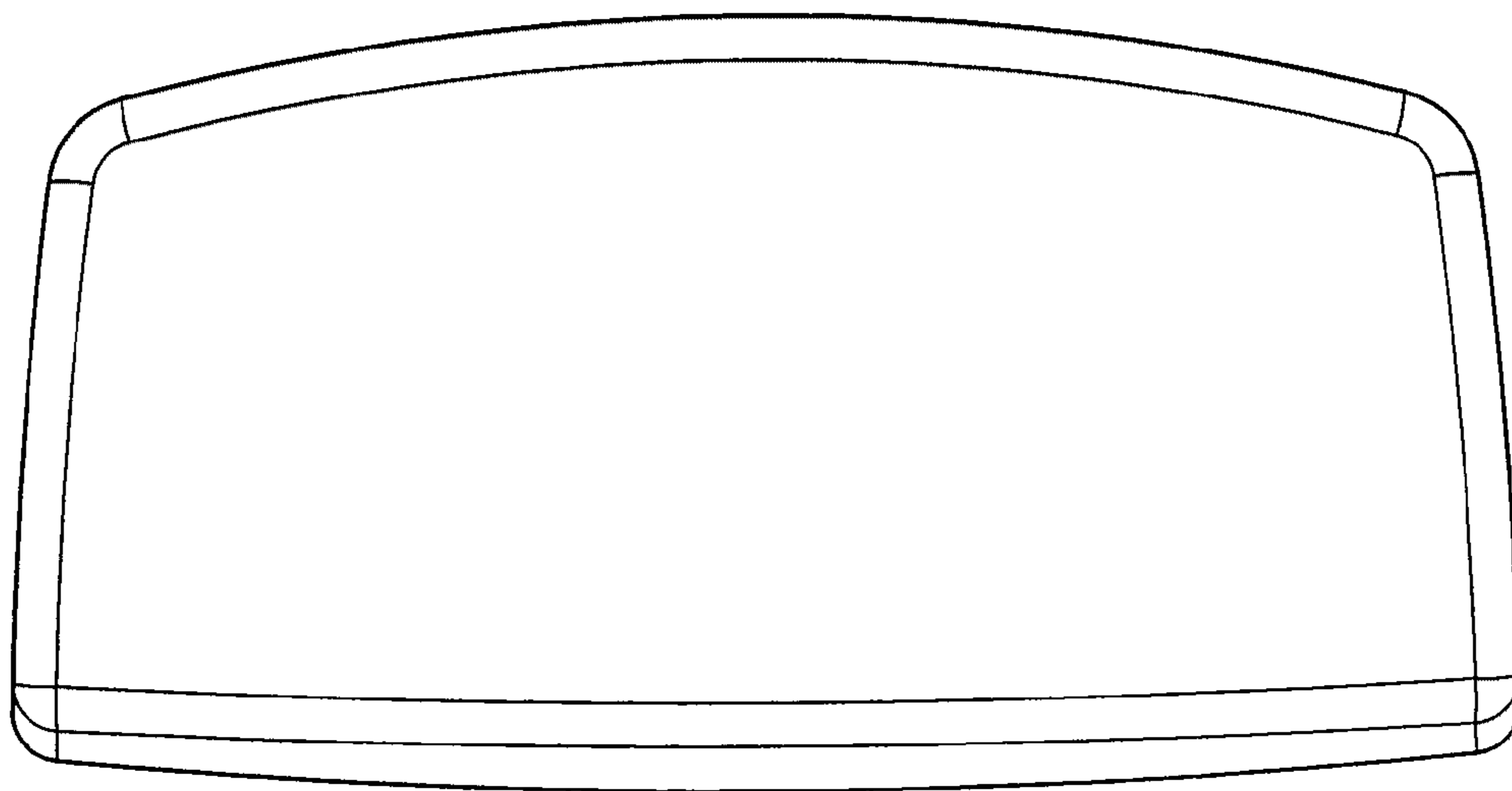


FIG. 7