



US00D627627S

(12) **United States Design Patent**  
**Sandinge**

(10) **Patent No.:** **US D627,627 S**

(45) **Date of Patent:** **\*\* Nov. 23, 2010**

(54) **BEAM SUPPORT BRACKET**

(75) Inventor: **Fredrik Sandinge**, Mölndal (SE)

(73) Assignee: **FlexLink Components AB** (SE)

(\*\*) Term: **14 Years**

(21) Appl. No.: **29/357,143**

(22) Filed: **Mar. 8, 2010**

(30) **Foreign Application Priority Data**

Sep. 11, 2009 (EM) ..... 001163935-0002

(51) **LOC (9) Cl.** ..... **08-05**

(52) **U.S. Cl.** ..... **D8/380**

(58) **Field of Classification Search** ..... D8/382,  
D8/381, 380, 373, 360, 359, 358, 354, 349;  
D3/24; D15/5, 199, 147, 138; 474/7, 66,  
474/47-53, 29, 198, 196, 161; 315/15; 248/638,  
248/636, 250, 235, 200; 242/532.6, 530.3,  
242/476.6, 118.6; 239/197; 160/315; 137/355.26,  
137/355.2, 355.19, 355.16; 108/157.13,  
108/147.12-147.17

See application file for complete search history.

(56) **References Cited**

**U.S. PATENT DOCUMENTS**

D249,765 S \* 10/1978 Wilson ..... D6/556

D296,760 S \* 7/1988 McGrath ..... D8/373

D322,927 S \* 1/1992 Schuster ..... D8/367

D362,175 S \* 9/1995 Grignon ..... D8/367

D376,529 S \* 12/1996 Davies et al. .... D8/349

D556,029 S \* 11/2007 Kubota ..... D8/380

D606,385 S \* 12/2009 Hansson et al. .... D8/380

D615,852 S \* 5/2010 Sullivan ..... D8/380

D616,290 S \* 5/2010 Sullivan ..... D8/380

\* cited by examiner

*Primary Examiner*—Susan Bennett Hattan

(74) *Attorney, Agent, or Firm*—Schwegman, Lundberg & Woessner, P.A.

(57) **CLAIM**

The ornamental design for a beam support bracket, as shown and described.

**DESCRIPTION**

FIG. 1 is a front/top side perspective view of the beam support bracket according to my design;

FIG. 2 is a left side view with the top side oriented up thereof;

FIG. 3 is a front view with the top side oriented down thereof;

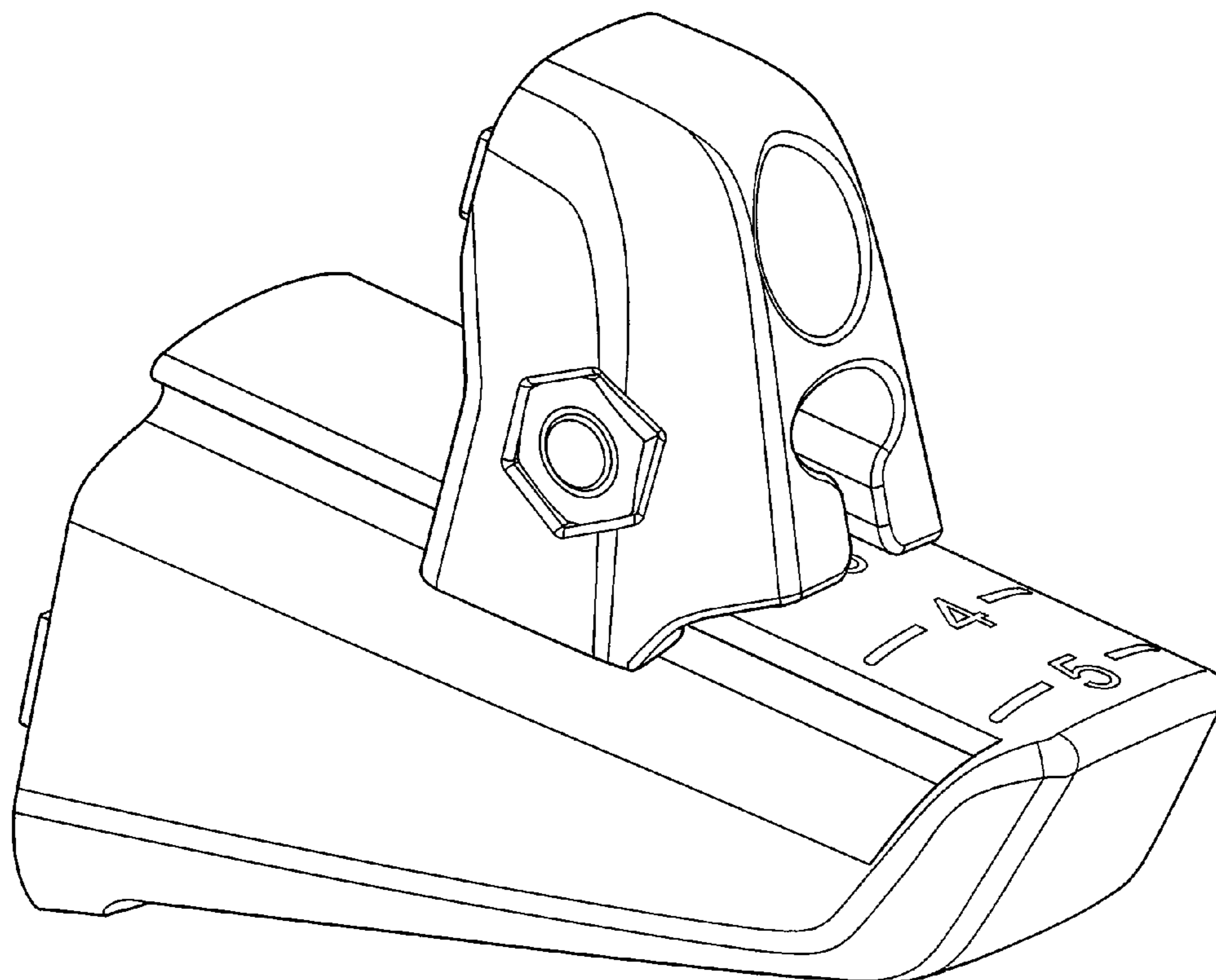
FIG. 4 is a right side view with the top side oriented to the right thereof;

FIG. 5 is a back side view with the back side oriented to the left thereof;

FIG. 6 is a bottom view thereof; and,

FIG. 7 is a top view thereof.

**1 Claim, 7 Drawing Sheets**



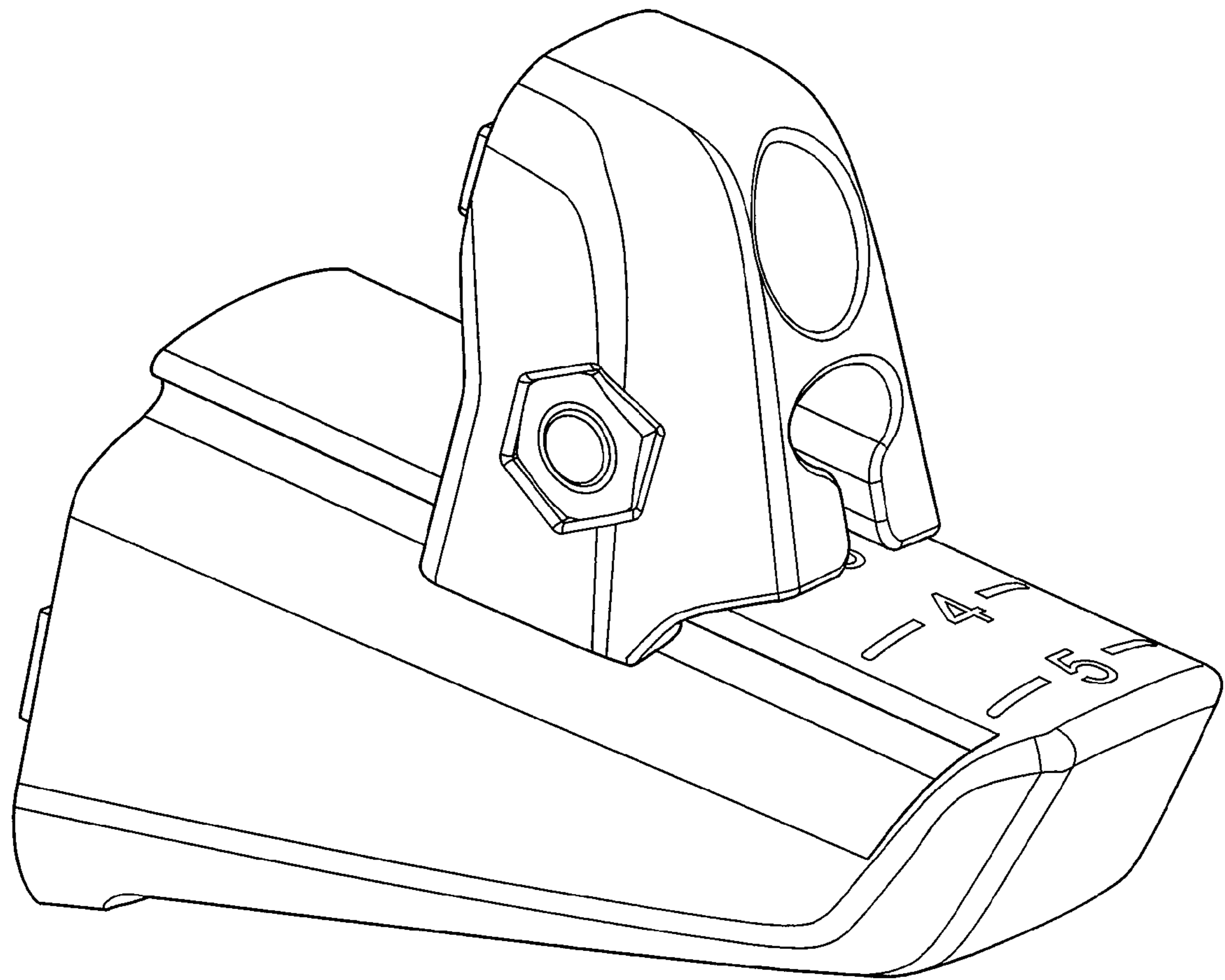


FIG. 1

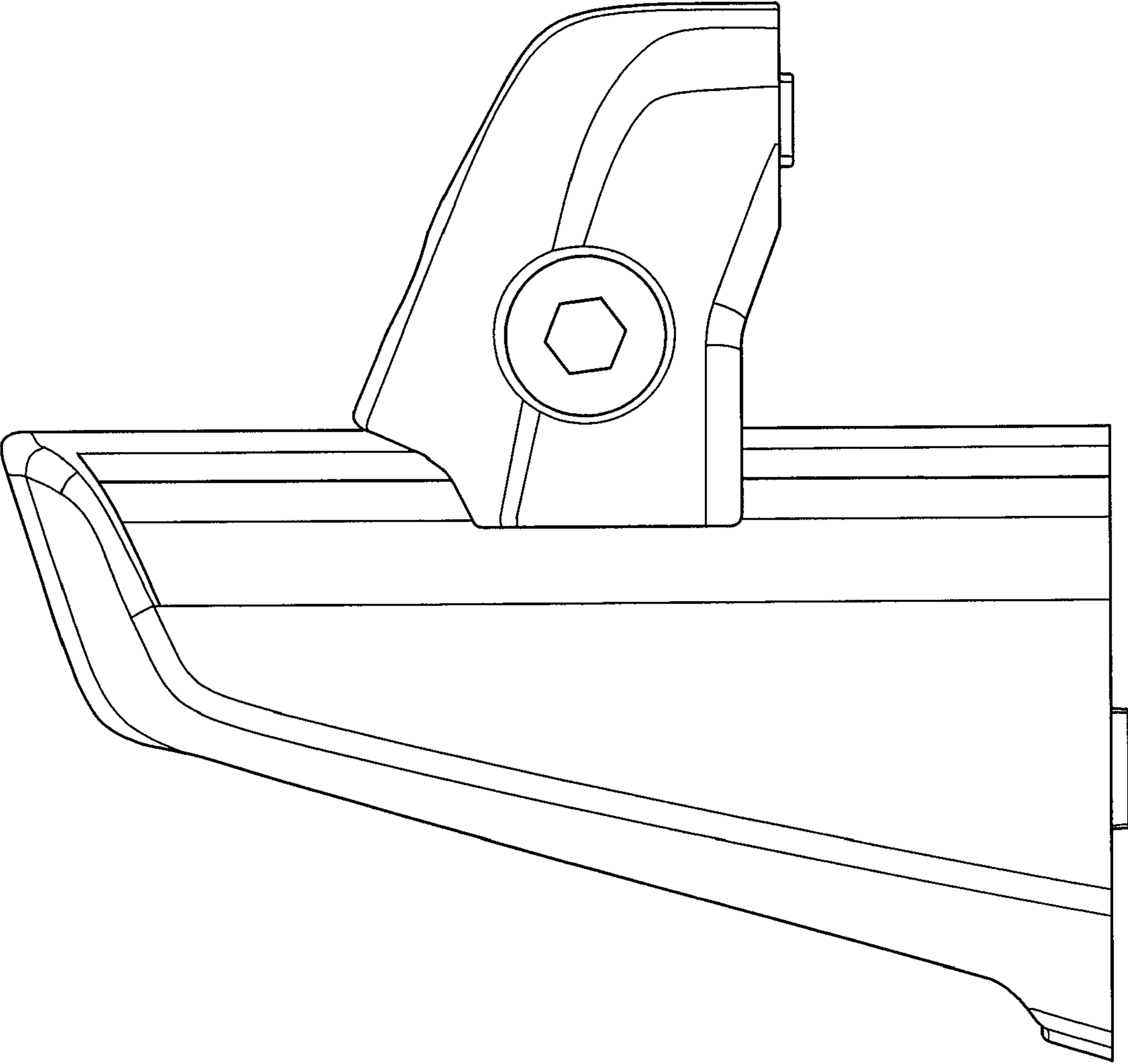


FIG. 2

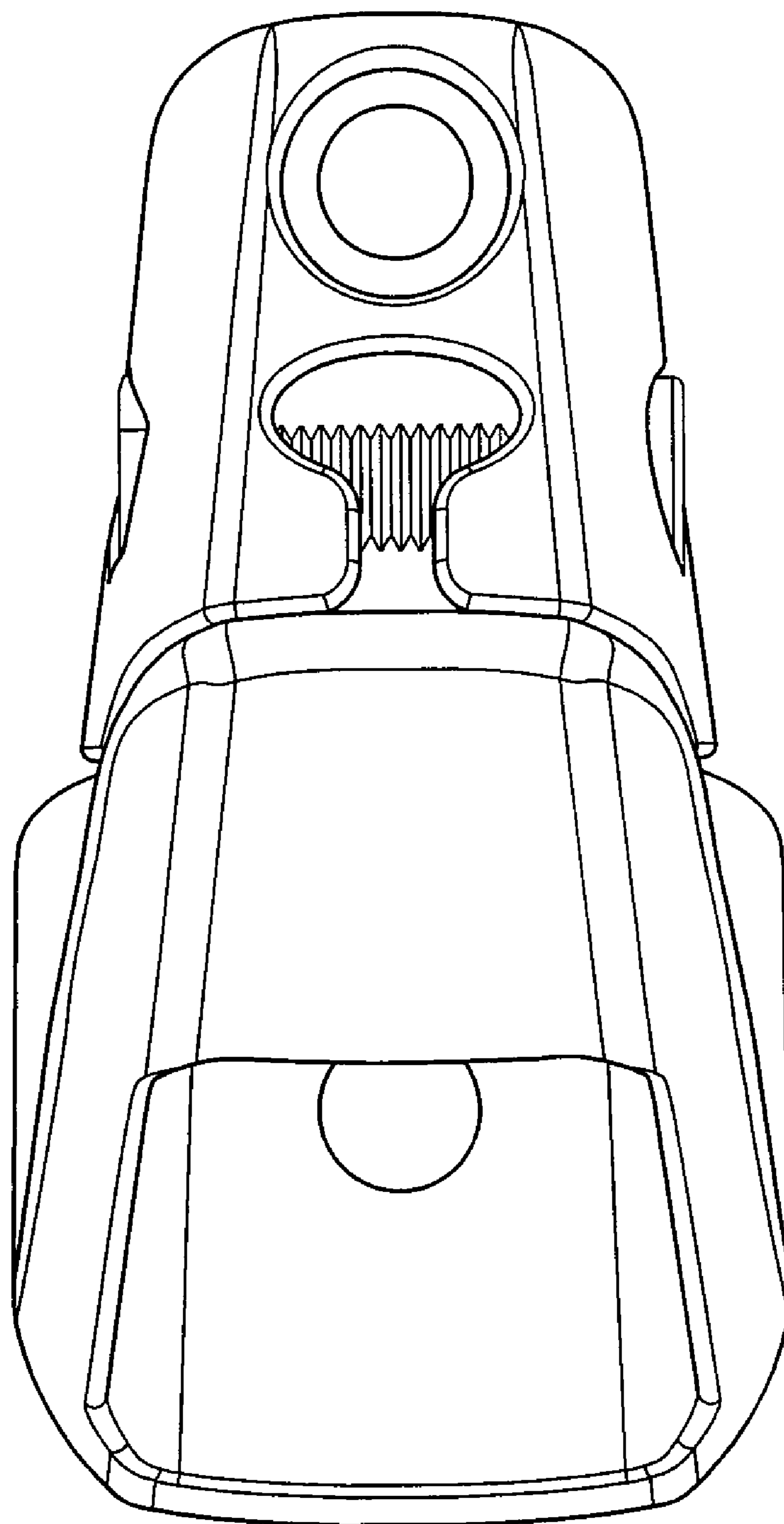


FIG. 3

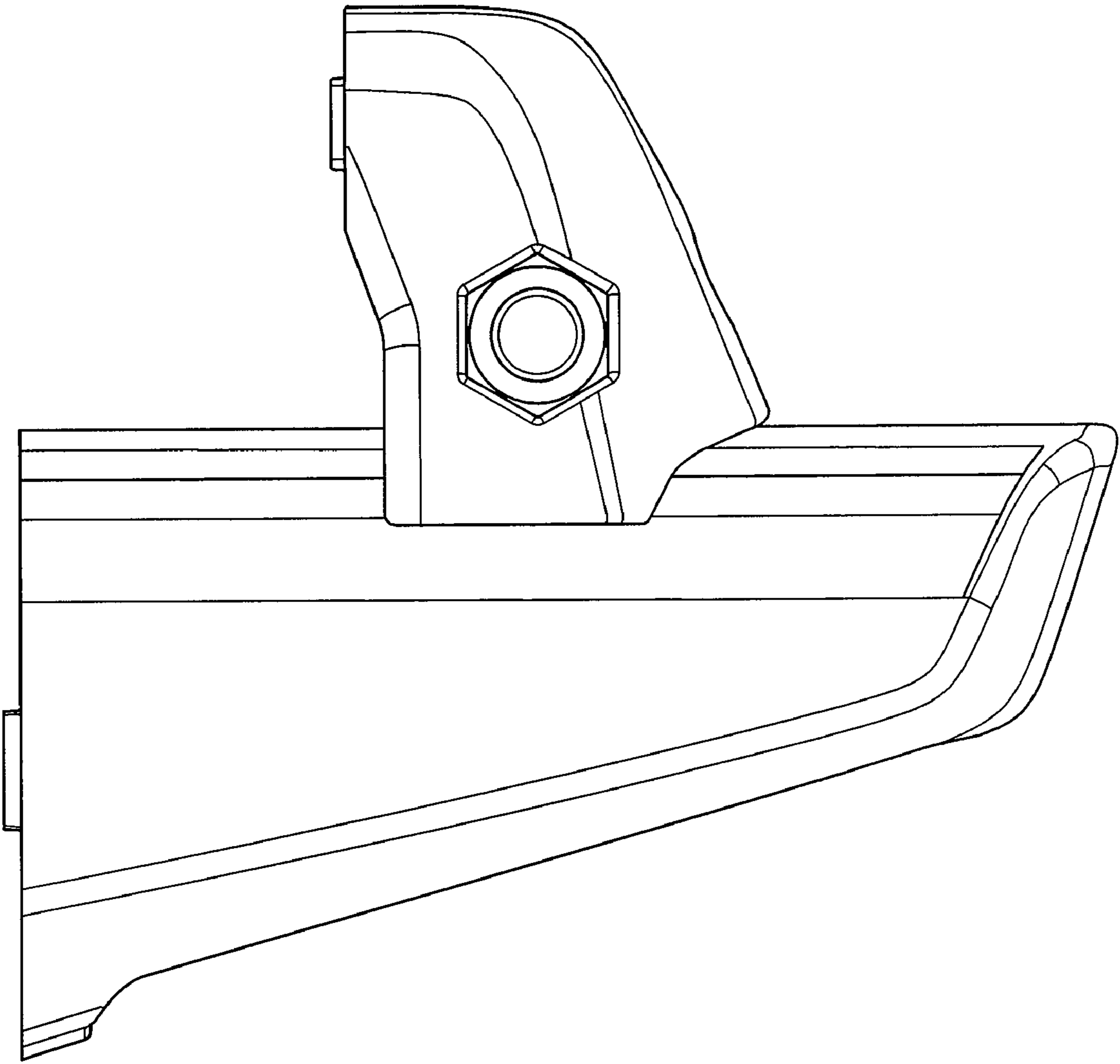


FIG. 4

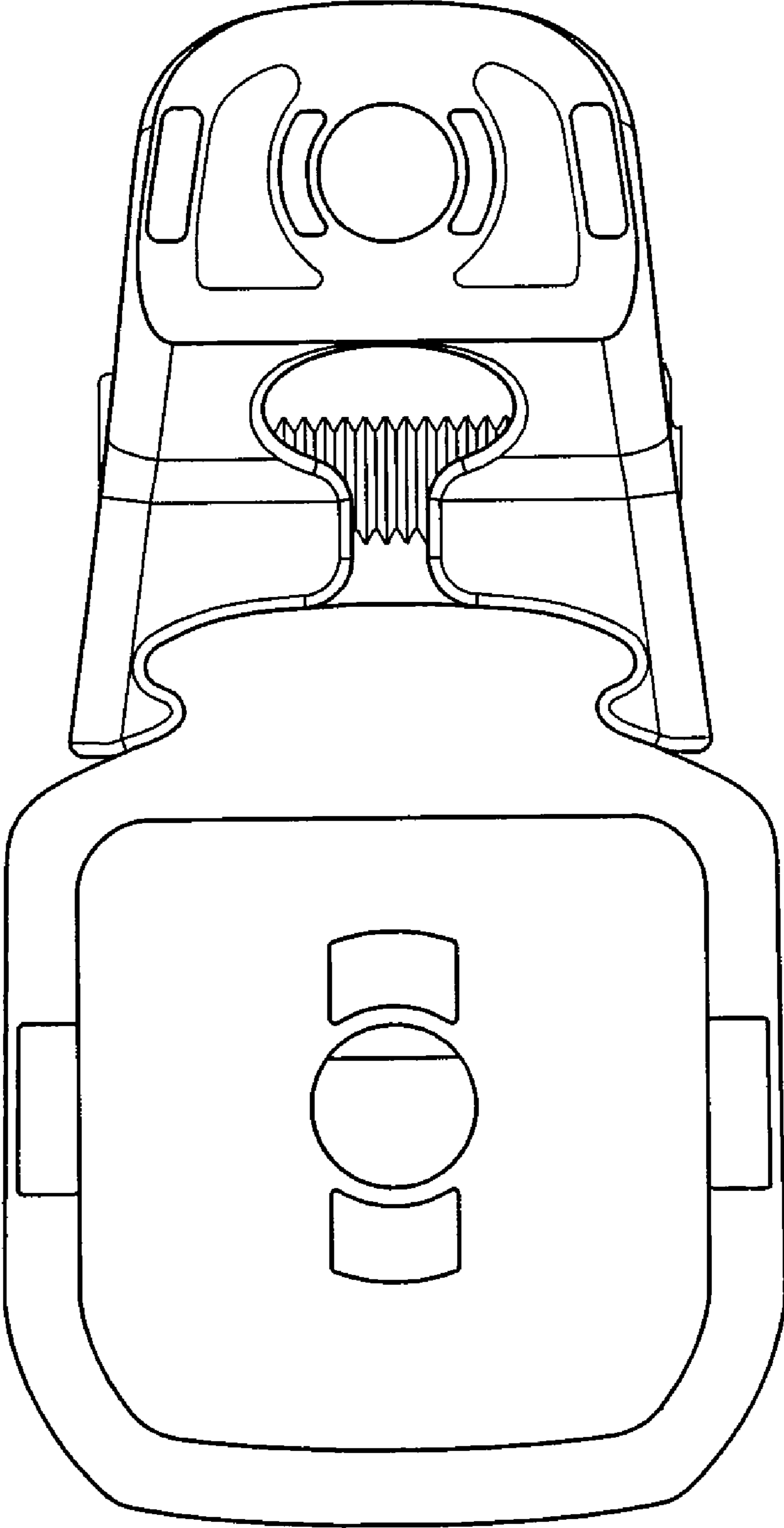


FIG. 5

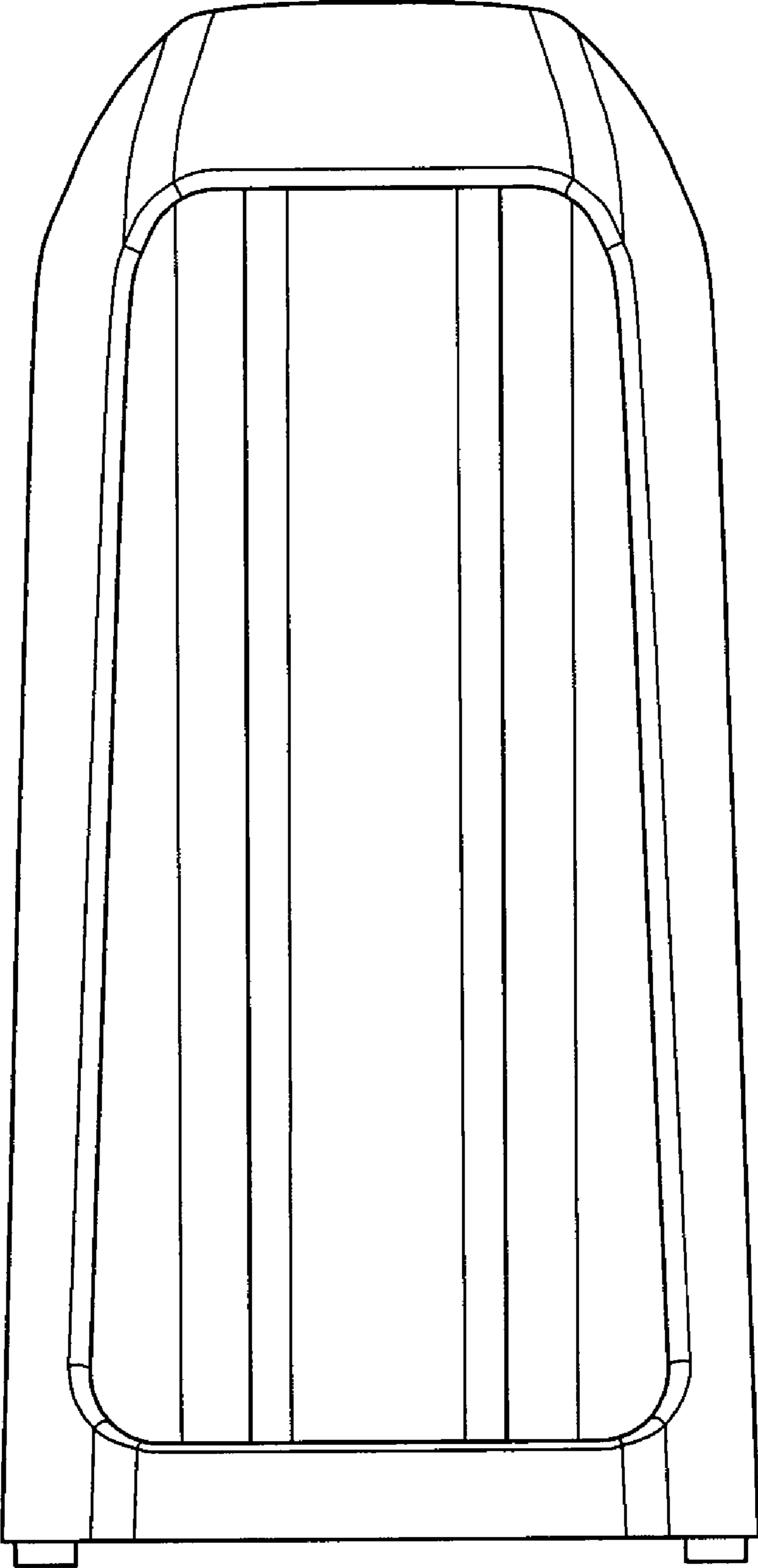


FIG. 6



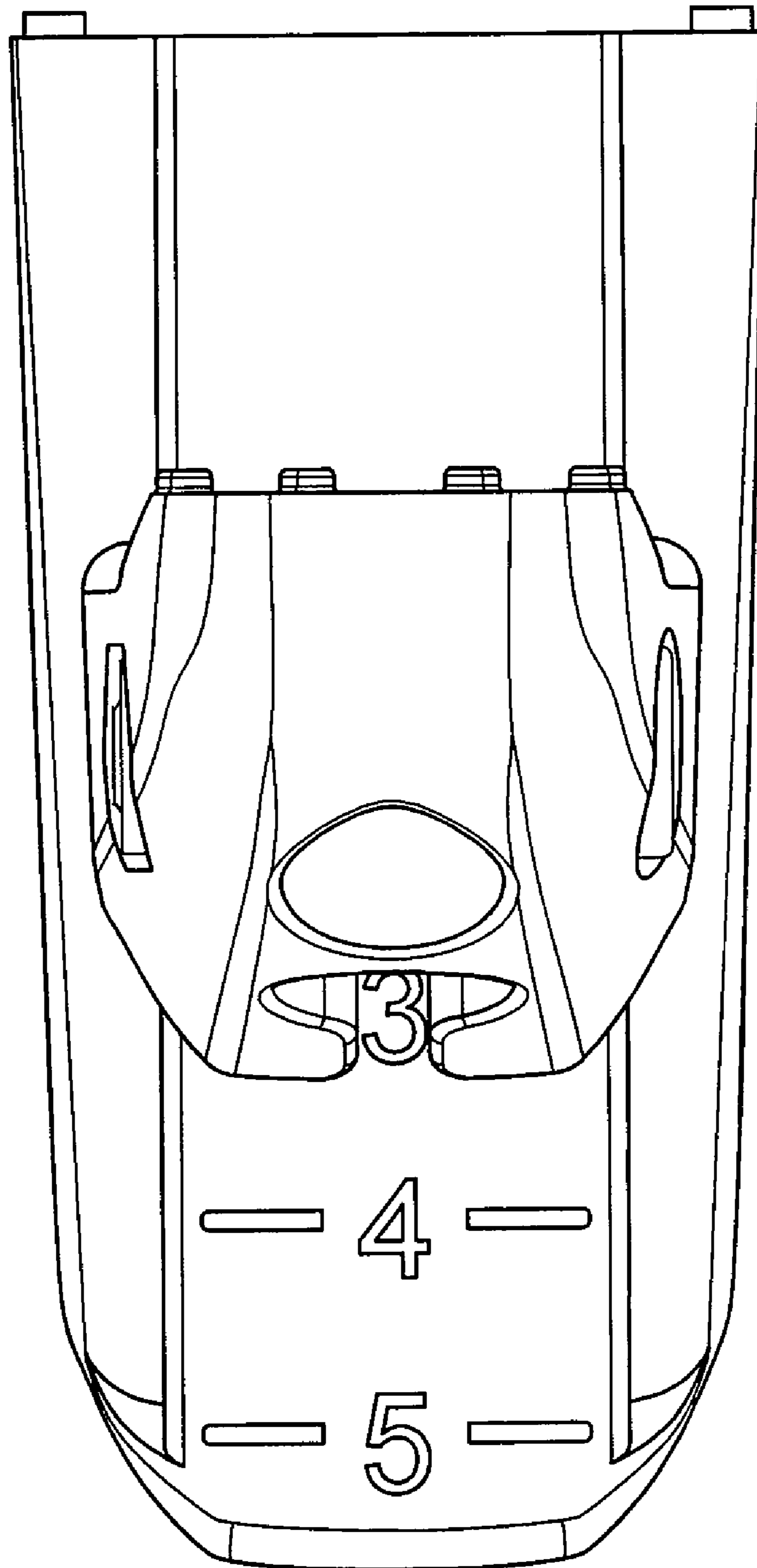


FIG. 7