



US00D627626S

(12) **United States Design Patent**
Claproth et al.

(10) **Patent No.:** **US D627,626 S**

(45) **Date of Patent:** **** Nov. 23, 2010**

(54) **OFFICE CUBICLE WALL HANGER**

(76) Inventors: **Jeff Claproth**, 5820 E. Bottlebrush Dr.,
Orange, CA (US) 92869; **Frank**
Claproth, 5122 Glen Verde Dr., Bonita,
CA (US) 91902

(**) Term: **14 Years**

(21) Appl. No.: **29/334,982**

(22) Filed: **Apr. 6, 2009**

(51) **LOC (9) Cl.** **08-05**

(52) **U.S. Cl.** **D8/373; D8/370**

(58) **Field of Classification Search** D6/566,
D6/574; D8/356, 363, 367, 368, 369, 370,
D8/373; 211/85.31; 241/245; 248/41, 99,
248/215, 220, 302-303; 279/5; 294/93

See application file for complete search history.

(56) **References Cited**

U.S. PATENT DOCUMENTS

379,759	A *	3/1888	Bradley	248/218.3
453,126	A *	5/1891	McGill	24/360
1,220,717	A *	3/1917	Bennett	248/227.2
1,252,862	A *	1/1918	Thompson	40/669
2,767,450	A *	10/1956	Overbaugh	24/67 R
3,014,597	A *	12/1961	McWherter	211/175
D197,188	S *	12/1963	Anderson	D8/390
D257,946	S *	1/1981	Fischer	D8/370
4,277,042	A *	7/1981	Ash, Sr.	248/447.1
4,809,941	A *	3/1989	Sheridan	248/249
D300,804	S *	4/1989	Myers	D8/373
4,901,962	A *	2/1990	Greer	248/218.3
D317,742	S *	6/1991	Miller	D12/406
5,029,788	A *	7/1991	Hoskinson et al.	248/218.1
D322,388	S *	12/1991	Hoskinson et al.	D8/370
D327,641	S *	7/1992	Hoskinson et al.	D8/370
D367,000	S *	2/1996	Martin	D8/370
5,507,459	A *	4/1996	Kiera	248/218.2

D396,405	S *	7/1998	Zaccardelli	D8/373
5,996,953	A *	12/1999	Mejia et al.	248/216.1
6,371,427	B1 *	4/2002	Johnson	248/303
6,561,472	B2 *	5/2003	Mongaras	248/218.2
6,641,106	B2 *	11/2003	Beaty et al.	248/475.1
D531,676	S *	11/2006	Tabert	D21/302
D554,980	S *	11/2007	Mihelis	D8/356
D555,462	S *	11/2007	Moffitt et al.	D8/370
D596,480	S *	7/2009	Murphy	D8/356
D600,079	S *	9/2009	Wolf	D8/1
D600,537	S *	9/2009	Bushey	D8/370
D614,020	S *	4/2010	Biagi et al.	D8/367
2004/0232288	A1 *	11/2004	Kung	248/99
2006/0016943	A1 *	1/2006	Thompson	248/175
2009/0224118	A1 *	9/2009	Meyers	248/215

* cited by examiner

Primary Examiner—Patricia Palasik

(57) **CLAIM**

The ornamental design for an office cubicle wall hanger, as shown and described.

DESCRIPTION

FIG. 1 is a top view of my design of office cubicle wall hanger.

FIG. 2 is a perspective view thereof.

FIG. 3 is a side view thereof (The left and right side views are mirror images.)

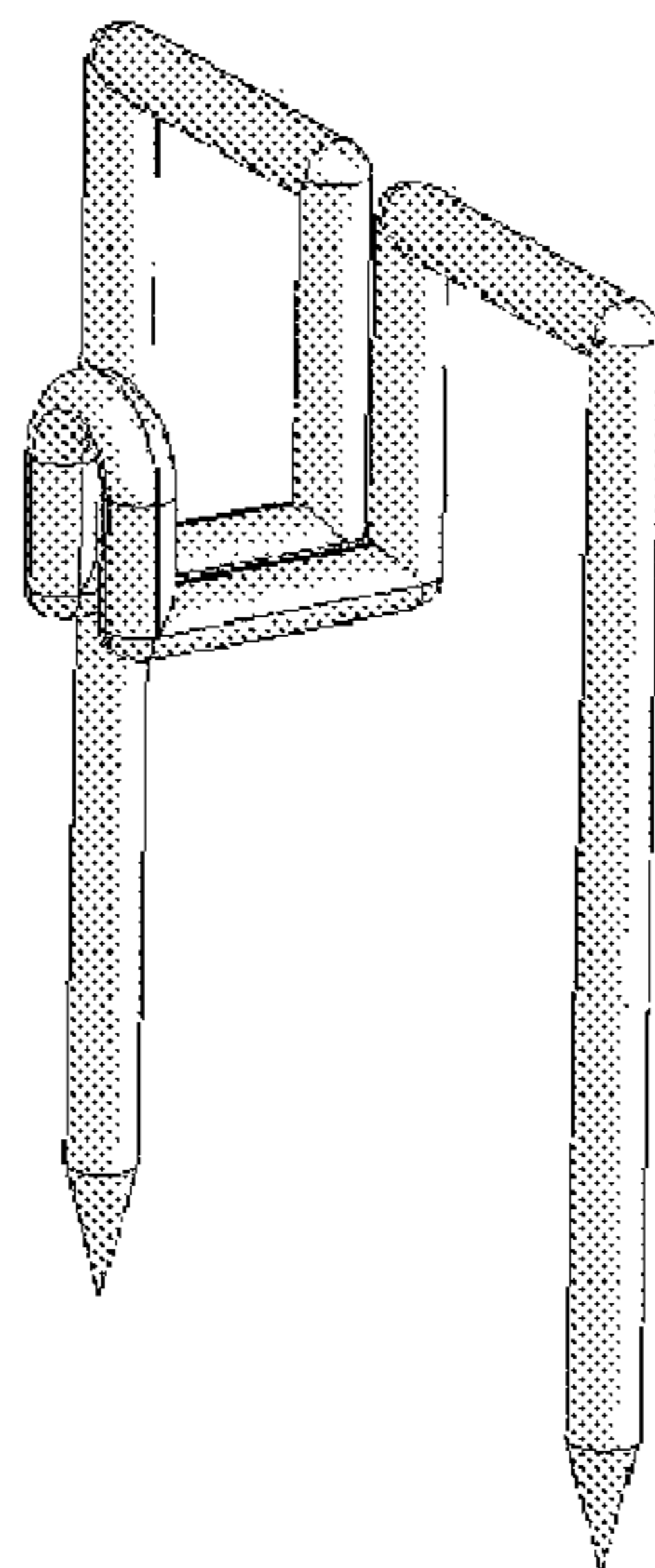
FIG. 4 is a front view thereof; and,

FIG. 5 is a bottom view thereof.

The office cubicle wall hanger is a two-pronged hanger that fastens onto the typical fabric covered office cubicle wall, and includes a hook onto which the user can hang a picture, clock, or other items.

The main characteristics of the design for the office cubicle wall hanger is a rectangular shape with a protruding hook, and two sharp pointed prongs.

1 Claim, 1 Drawing Sheet



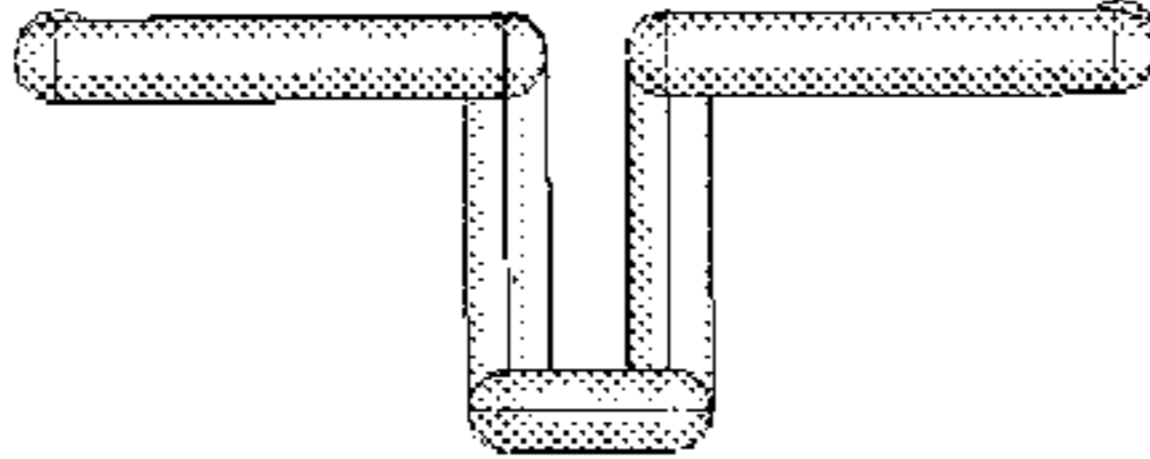


FIG. 1

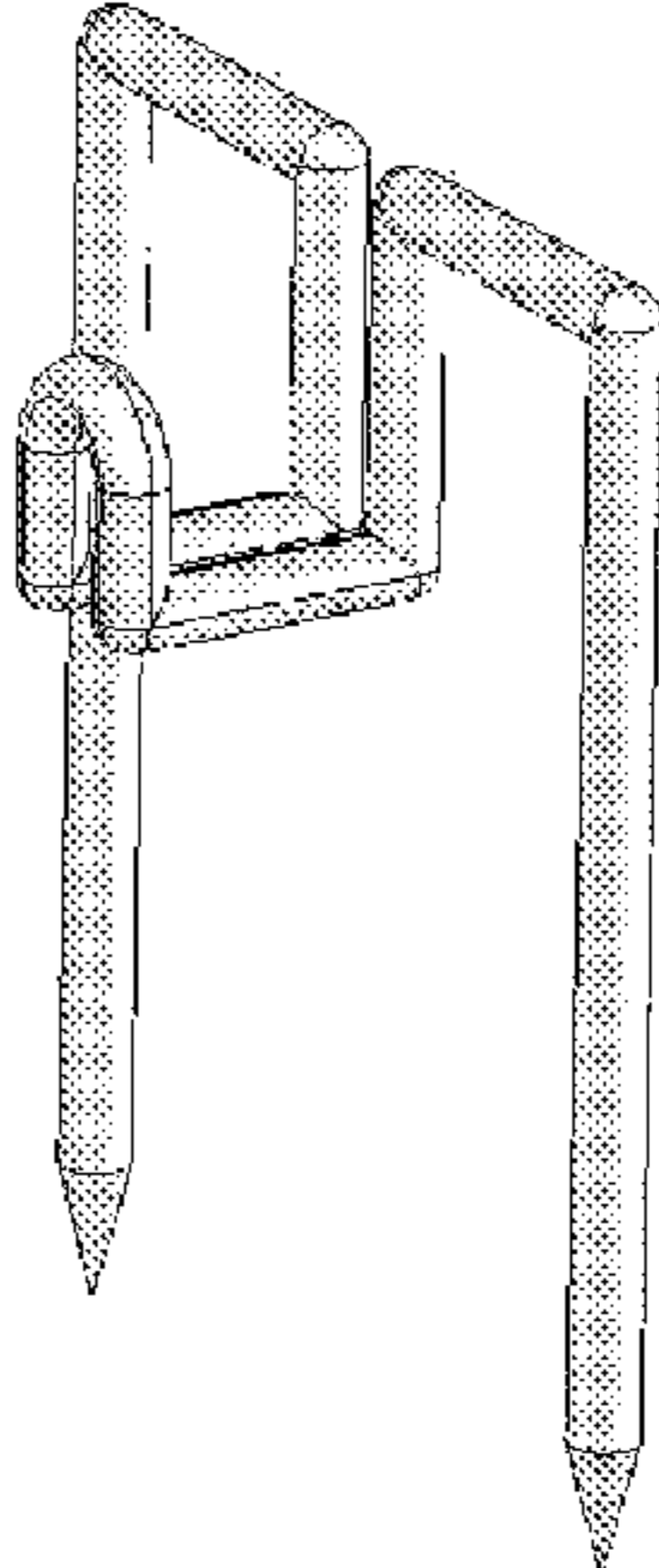


FIG. 2

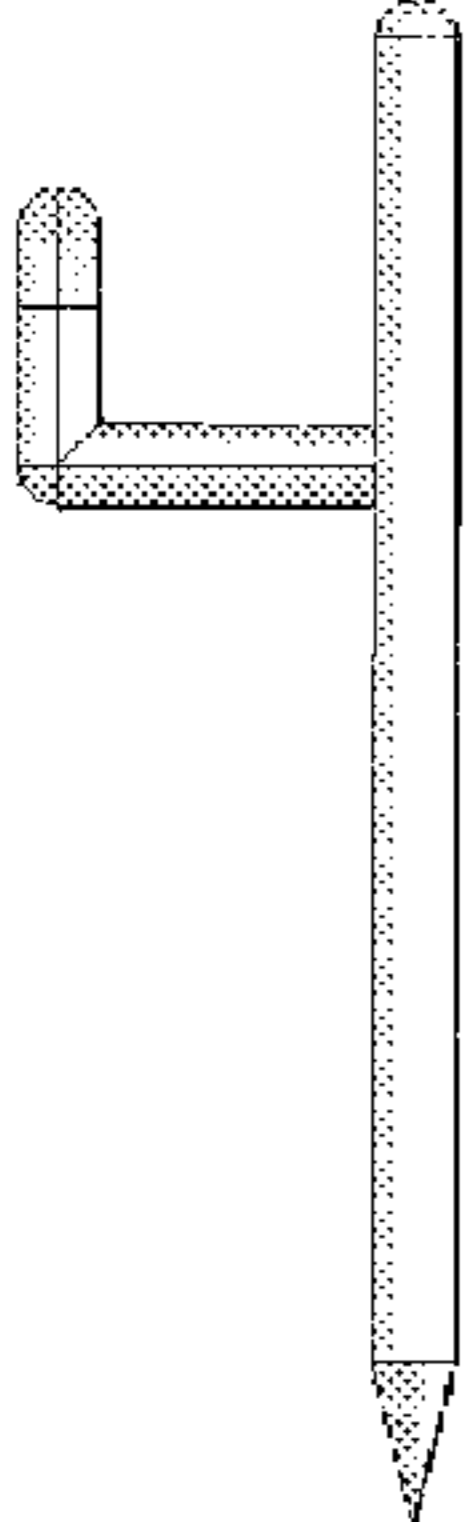


FIG. 3

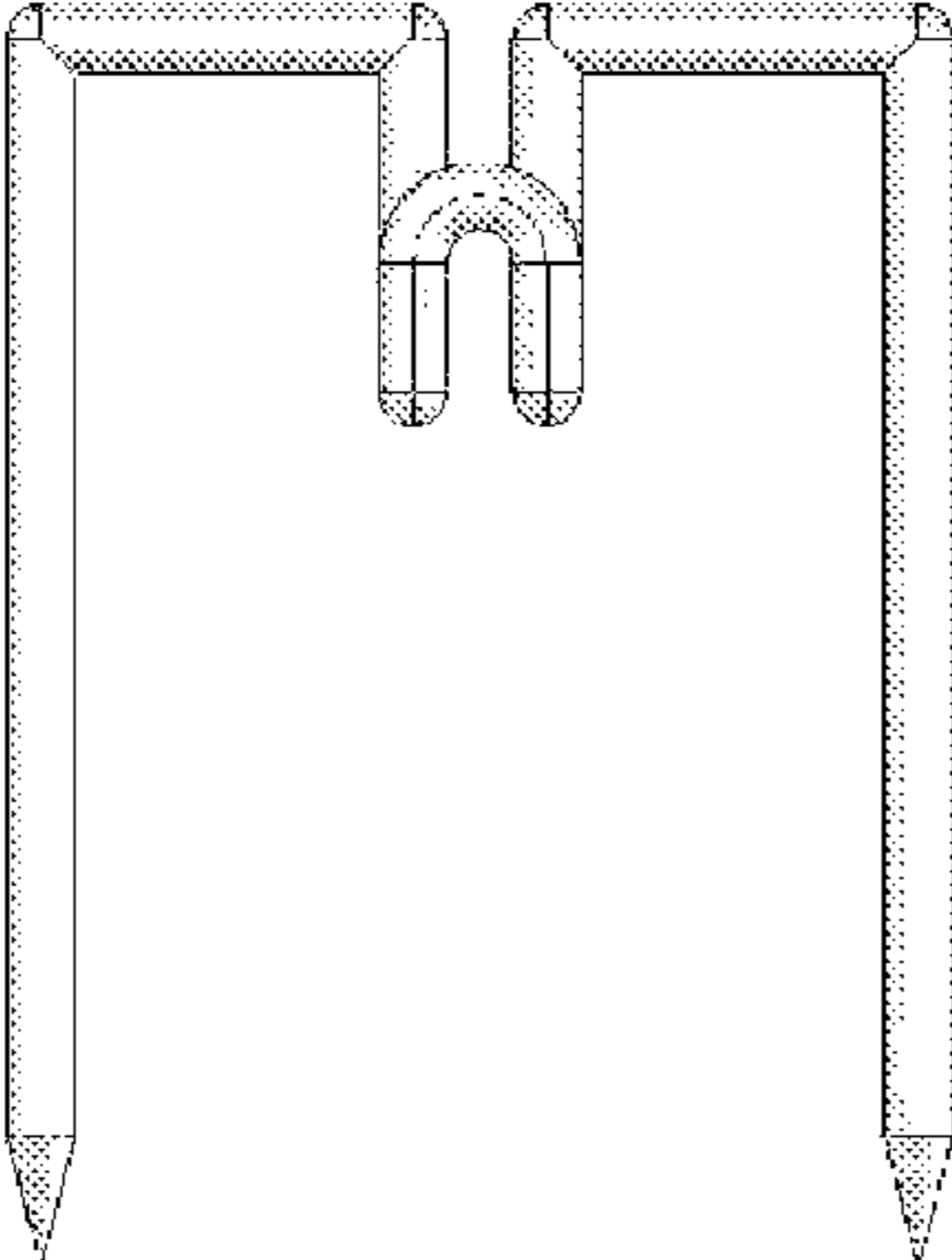


FIG. 4

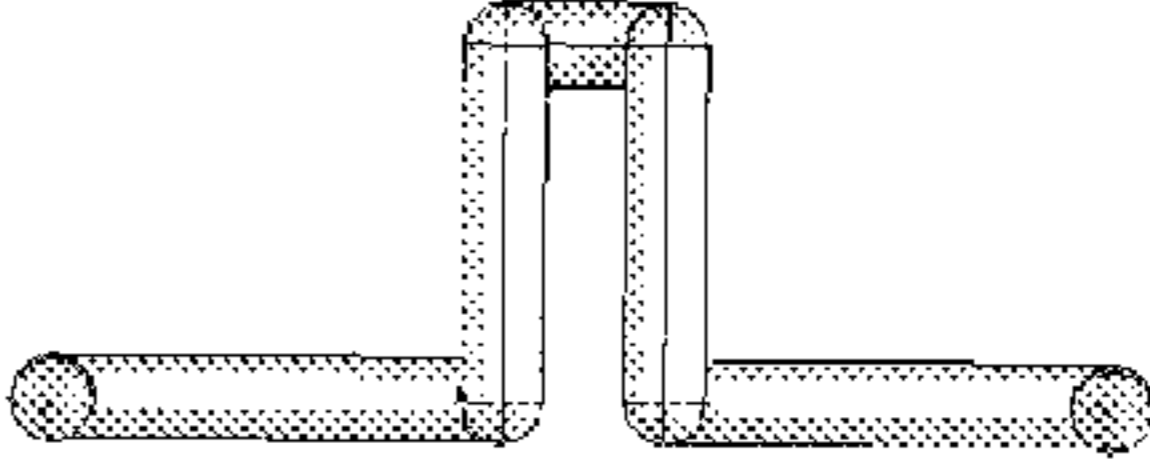


FIG. 5