



US00D627625S

(12) **United States Design Patent**
Anwar et al.

(10) **Patent No.:** **US D627,625 S**

(45) **Date of Patent:** **** Nov. 23, 2010**

(54) **SHADOW FRAME SUPPORT**

(75) Inventors: **Suhail Anwar**, San Jose, CA (US); **John M. White**, Hayward, CA (US); **Jeffrey A. Kho**, Union City, CA (US); **Robin L. Tiner**, Santa Cruz, CA (US)

(73) Assignee: **Applied Materials, Inc.**, Santa Clara, CA (US)

(**) Term: **14 Years**

(21) Appl. No.: **29/353,472**

(22) Filed: **Jan. 8, 2010**

(51) **LOC (9) Cl.** **08-05**

(52) **U.S. Cl.** **D8/363**

(58) **Field of Classification Search** D8/363,
D8/380-381; 248/235, 237, 245, 247
See application file for complete search history.

(56) **References Cited**

U.S. PATENT DOCUMENTS

D253,748 S * 12/1979 Kovacs D8/363
D352,198 S * 11/1994 Wright et al. D6/574

* cited by examiner

Primary Examiner—Holly H Baynham

(74) *Attorney, Agent, or Firm*—Patterson & Sheridan, LLP

(57) **CLAIM**

The ornamental design for a shadow frame support, as shown and described.

DESCRIPTION

FIG. 1 is a front, top perspective view of a shadow frame support;

FIG. 2 is a back top perspective view of the shadow frame support of FIG. 1.

FIG. 3 is an opposite side front, top perspective view of the shadow frame support of FIG. 1.

FIG. 4 is a front view of the shadow frame support of FIG. 1.

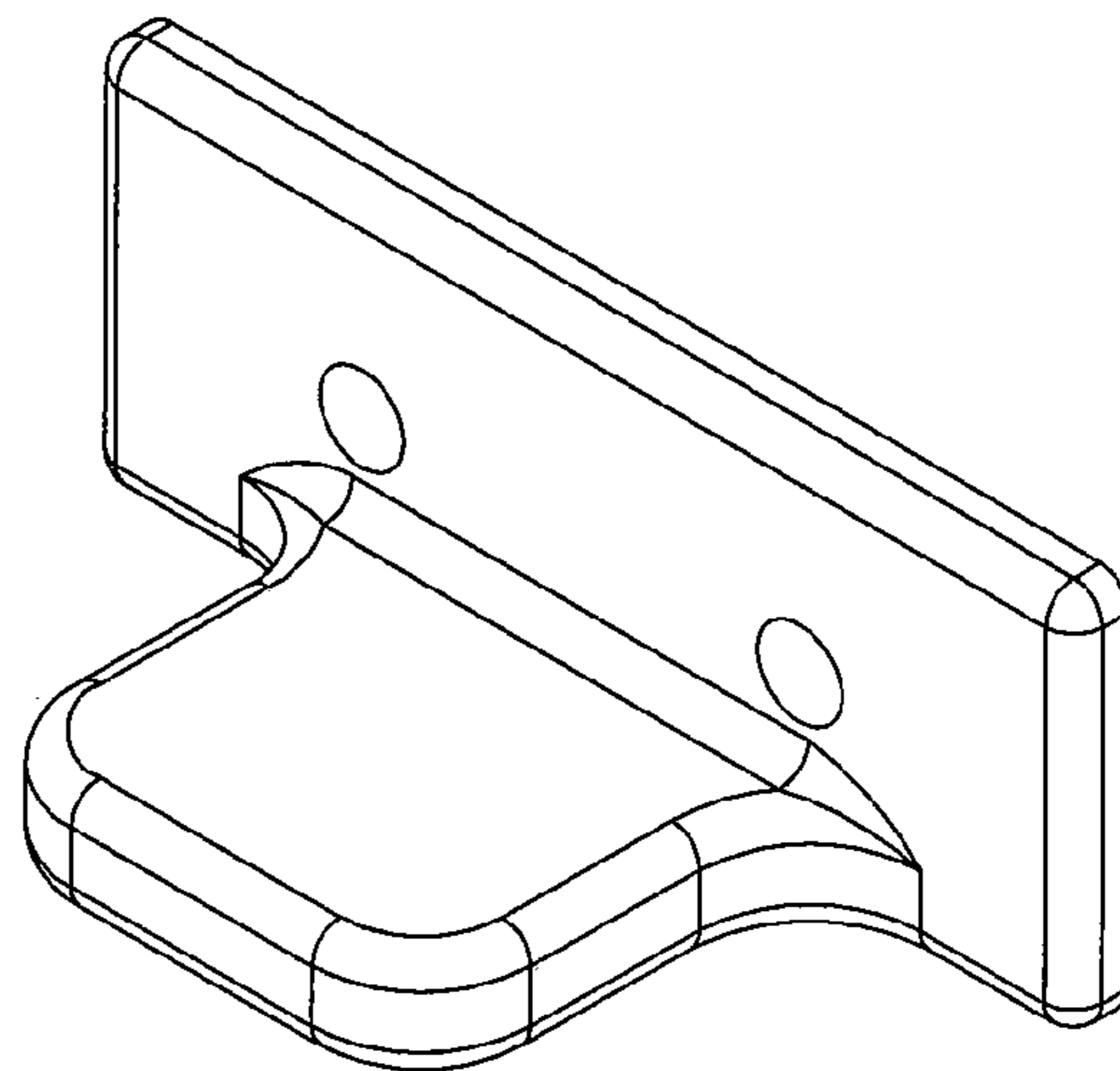
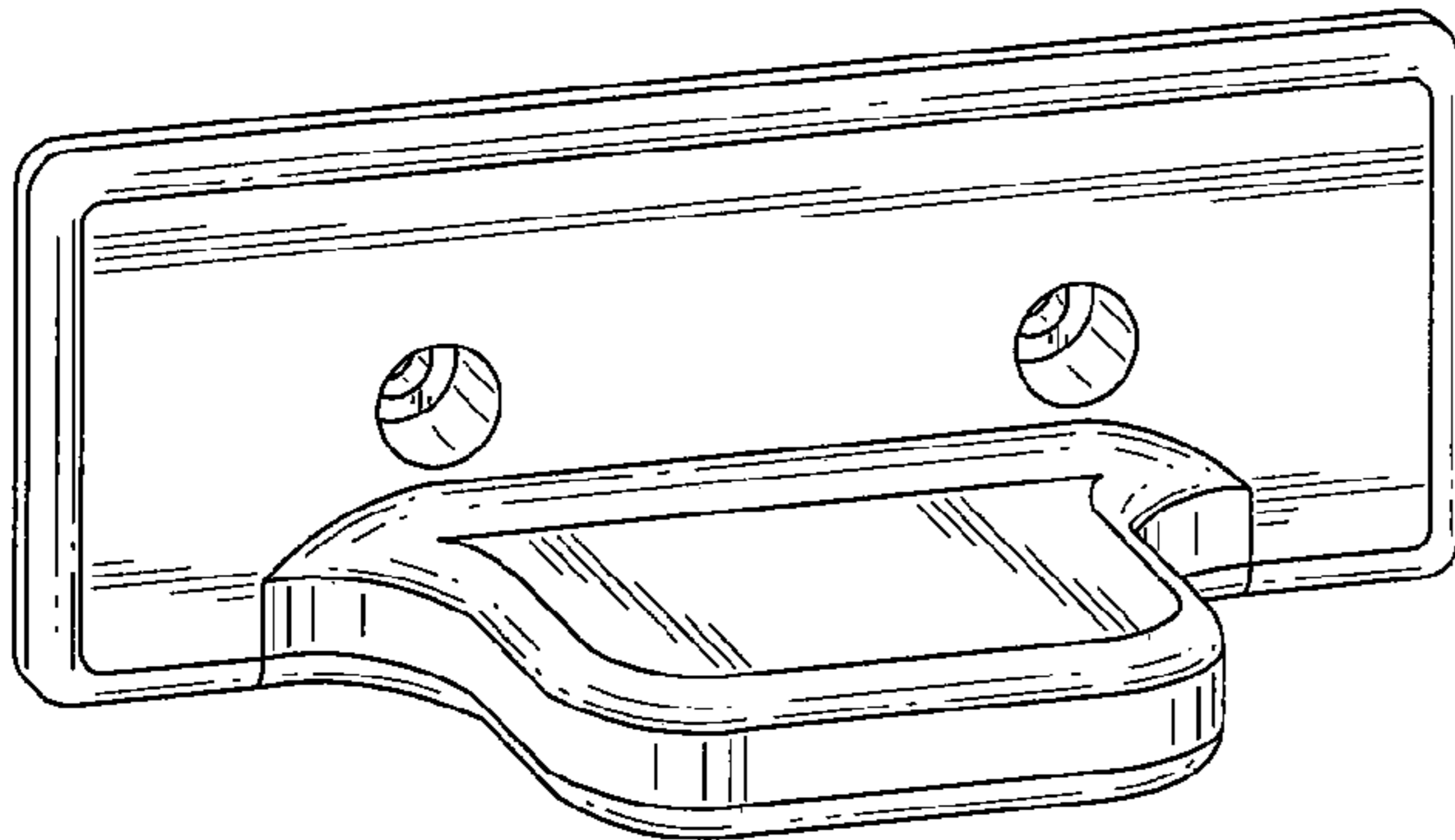
FIG. 5 is a bottom view of the shadow frame support of FIG. 1.

FIG. 6 is a back view of the shadow frame support of FIG. 1.

FIG. 7 is a top plan view of the shadow frame support of FIG. 1; and,

FIG. 8 is a side view of the vacuum frame support of FIG. 1, the opposite side being a mirror image thereof.

1 Claim, 3 Drawing Sheets



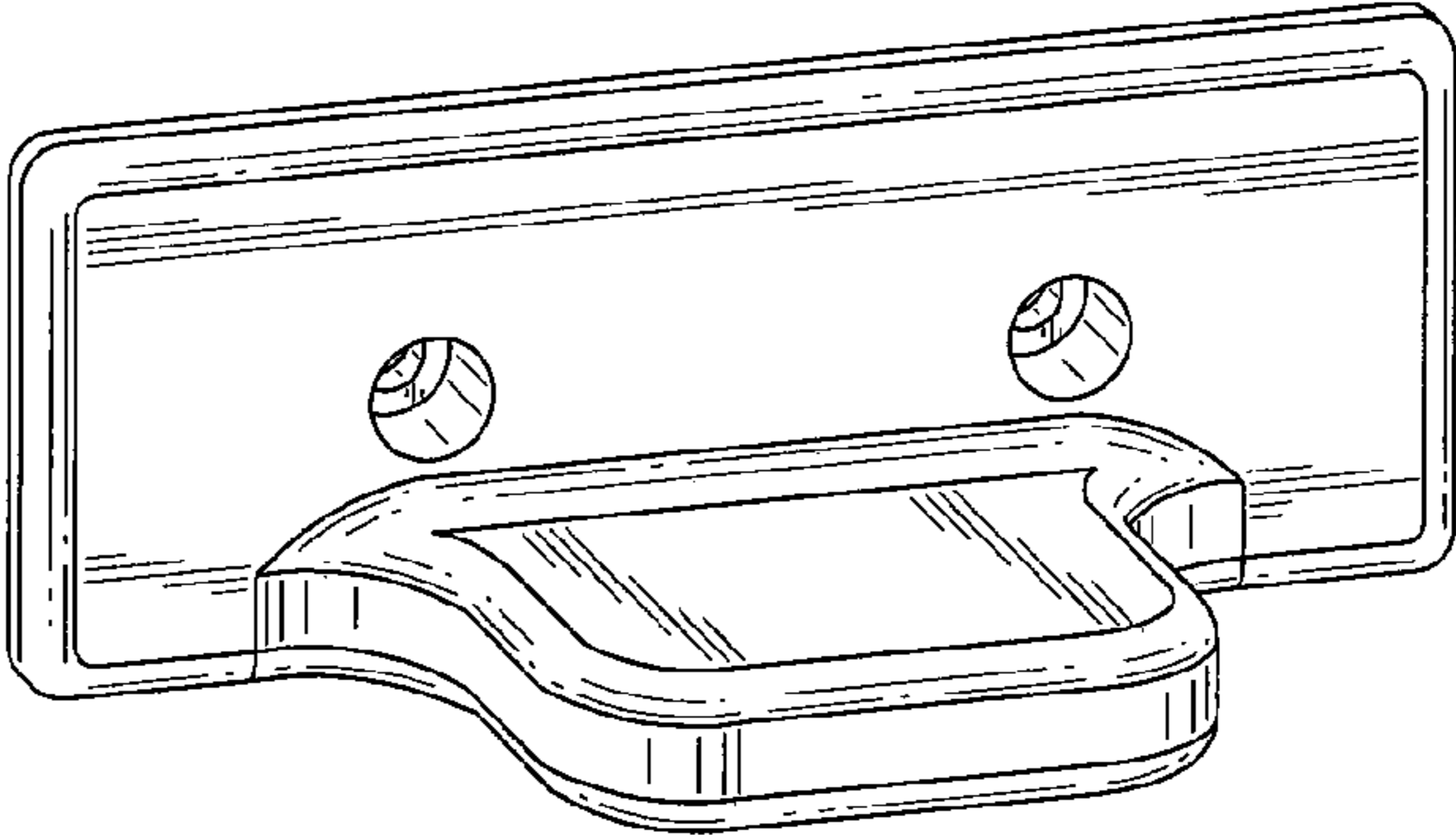


FIG. 1

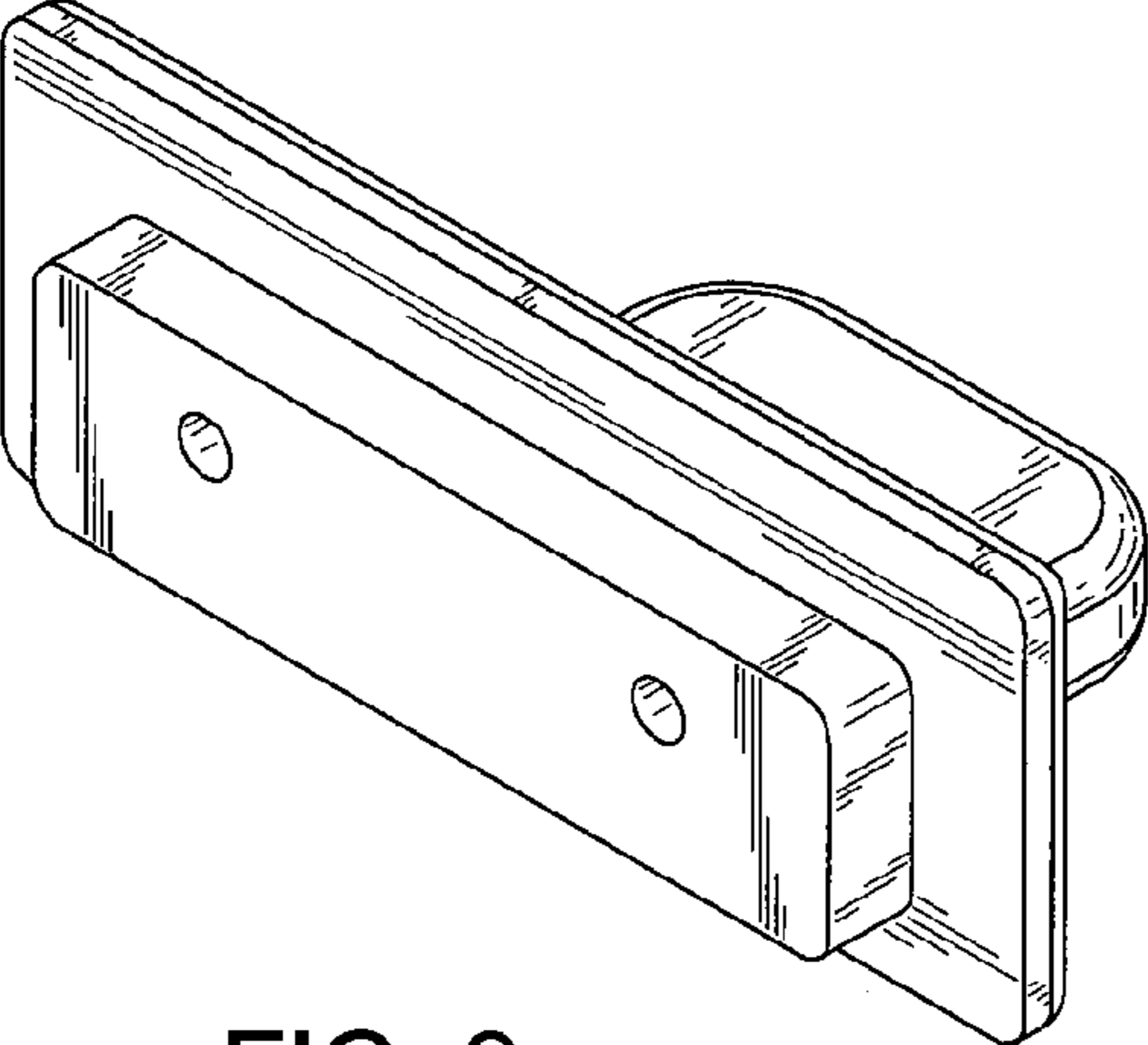


FIG. 2

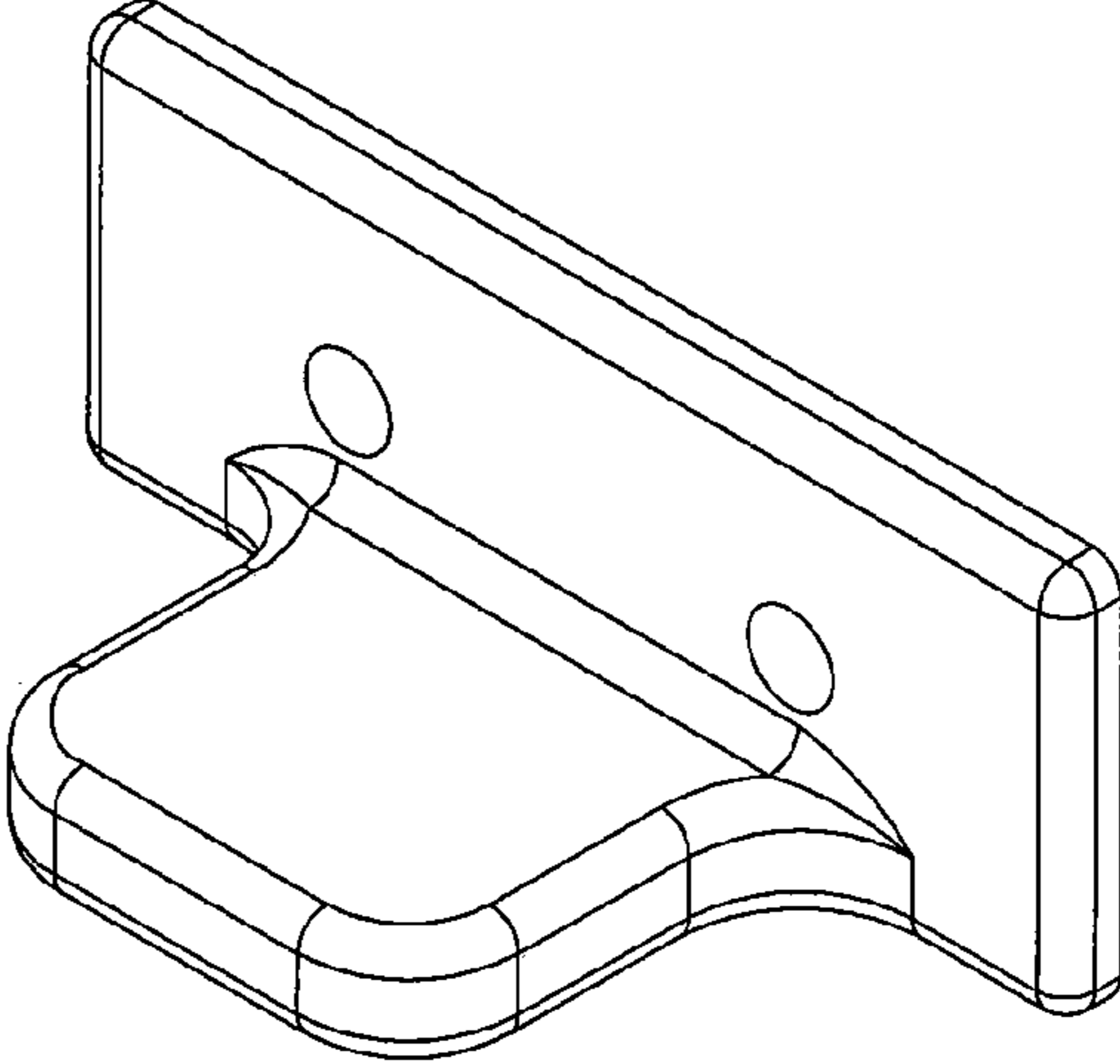


FIG. 3

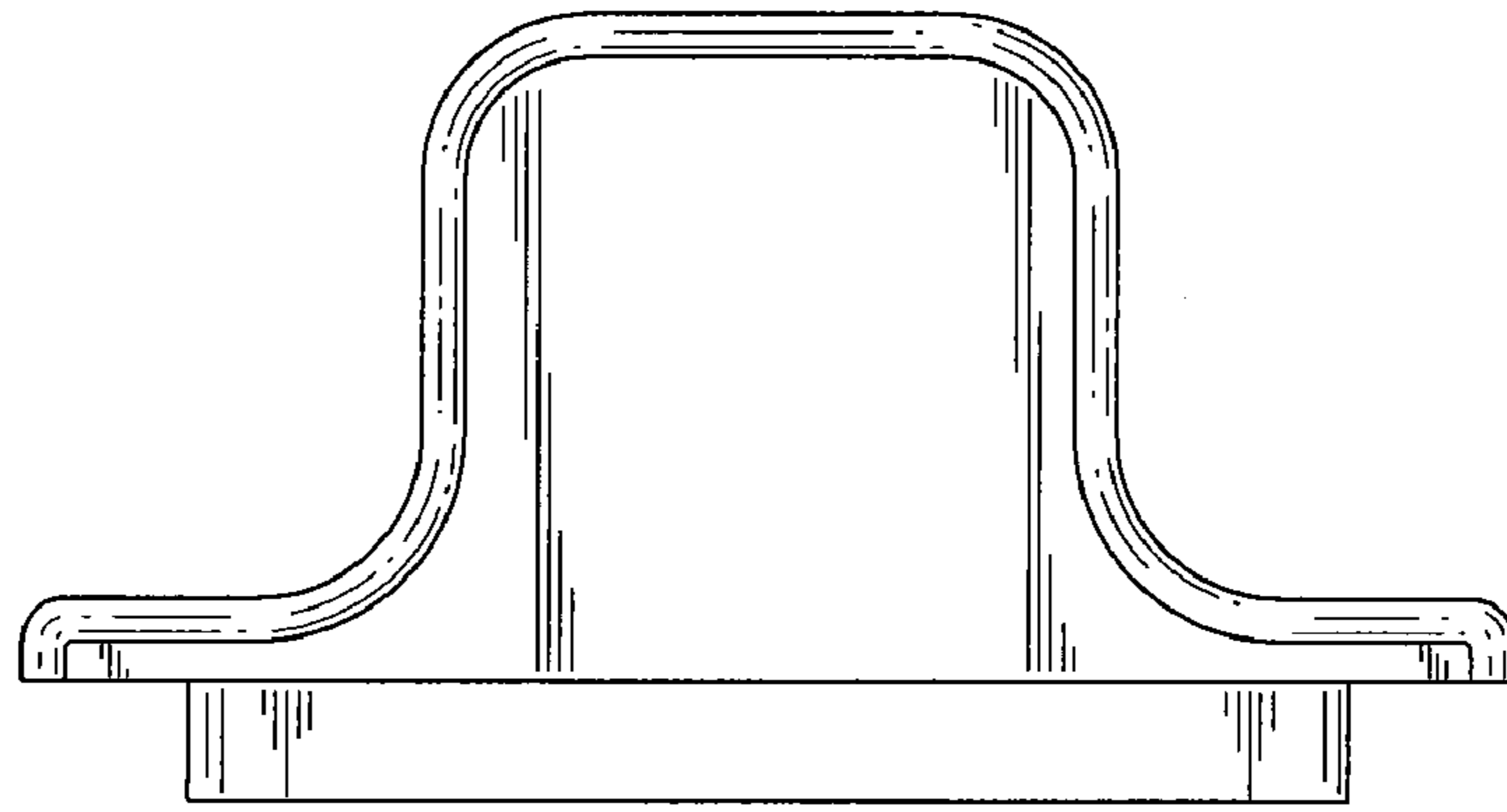


FIG. 5

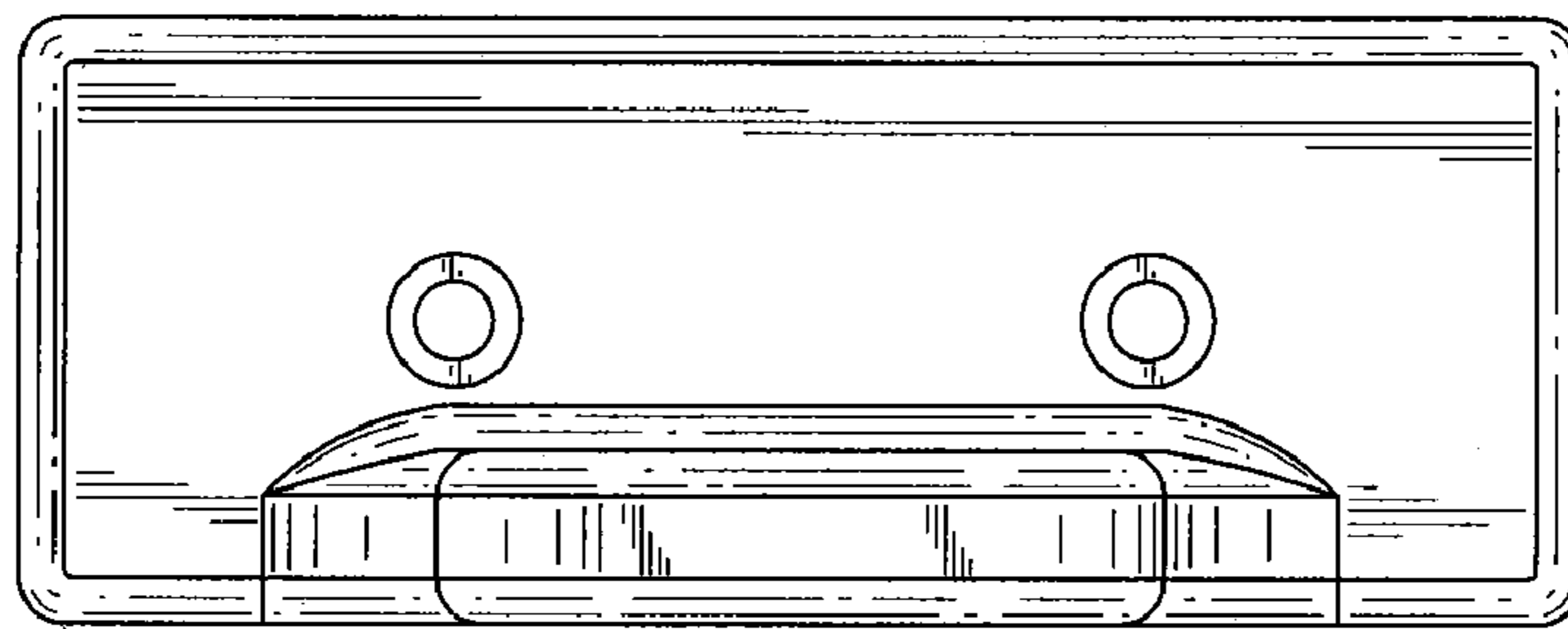


FIG. 4

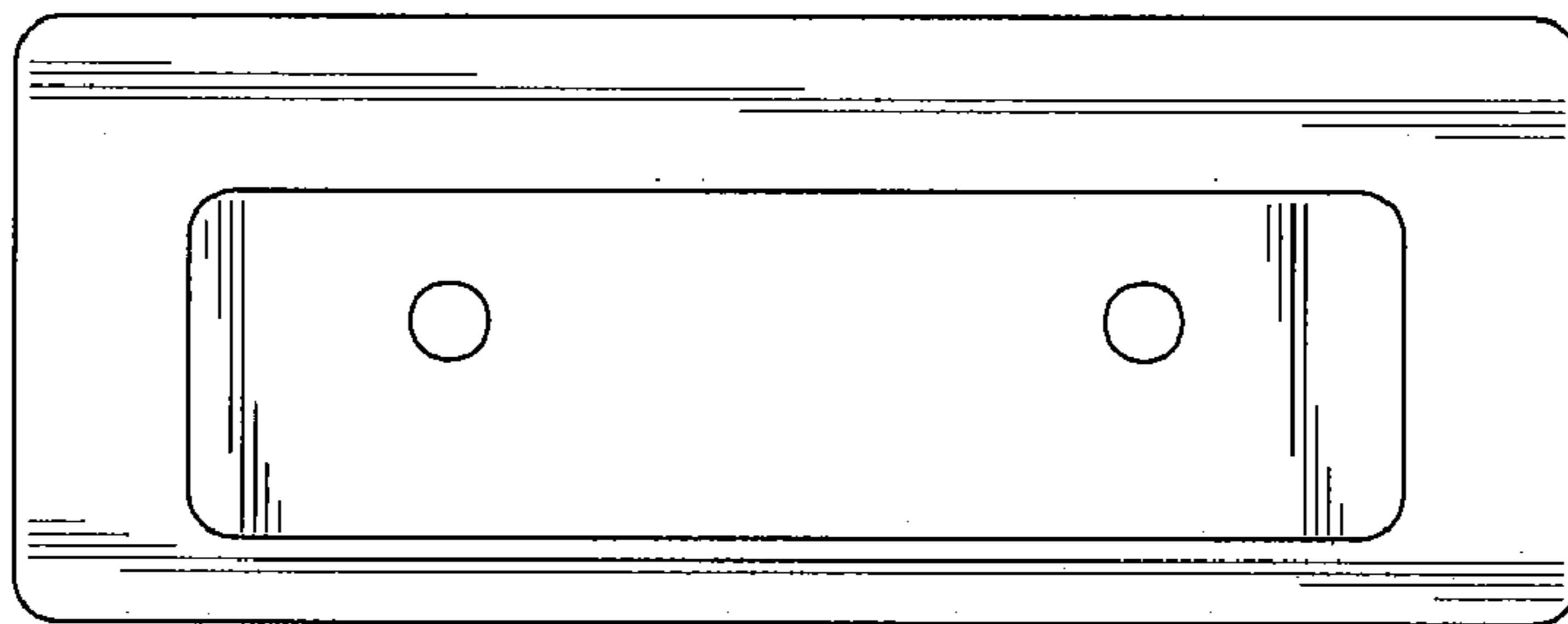


FIG. 6

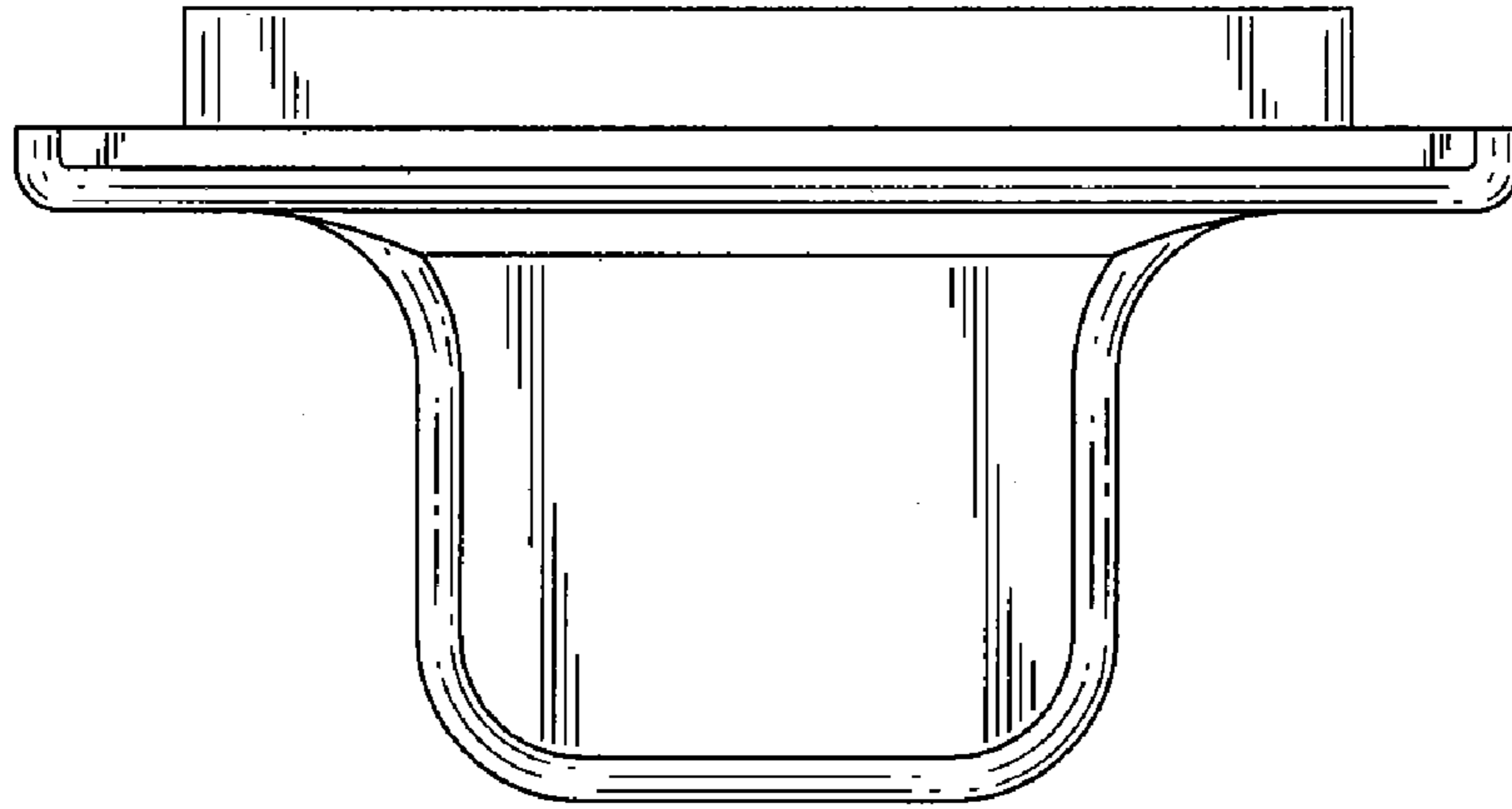


FIG. 7

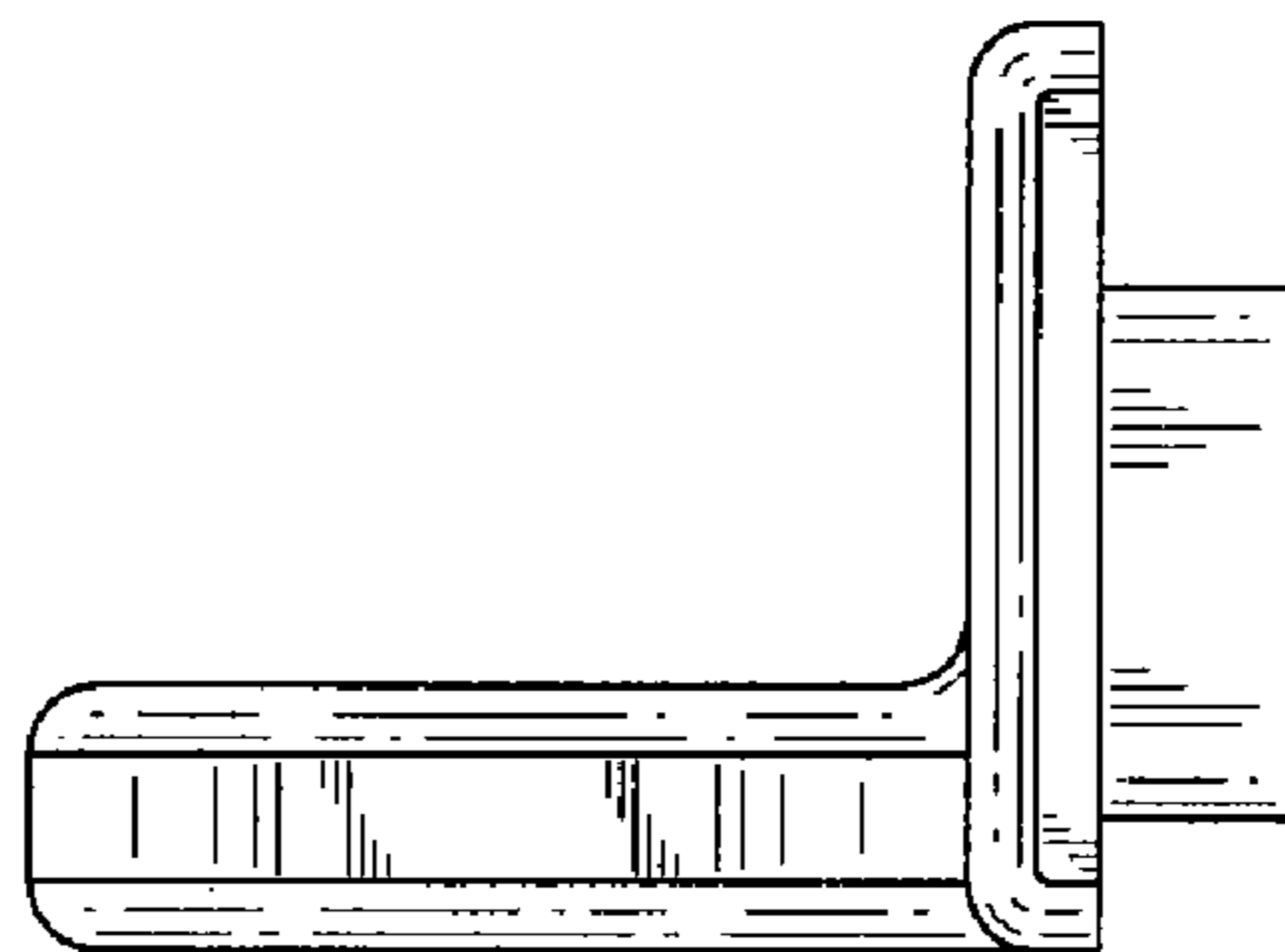


FIG. 8