



US00D627623S

(12) **United States Design Patent**  
**Densmore**

(10) **Patent No.:** **US D627,623 S**

(45) **Date of Patent:** **\*\* Nov. 23, 2010**

(54) **MESH SPACER FOR REINFORCED CONCRETE**

(75) Inventor: **David S. Densmore**, Englewood, CO (US)

(73) Assignee: **Rocky Mountain Prestress, LLC**, Denver, CO (US)

(\*\*) Term: **14 Years**

(21) Appl. No.: **29/357,367**

(22) Filed: **Mar. 11, 2010**

(51) **LOC (9) Cl.** ..... **08-05**

(52) **U.S. Cl.** ..... **D8/354**

(58) **Field of Classification Search** ..... D8/349, D8/354-357, 366, 373, 380, 382; D25/199, D25/685; 52/414, 426, 677, 685, 687, 740.1; 249/187.1, 188, 193, 205, 207, 216  
See application file for complete search history.

(56) **References Cited**

**U.S. PATENT DOCUMENTS**

1,835,806	A	12/1931	Olmsten et al.	
3,444,663	A	5/1969	Hehn	
4,060,954	A	12/1977	Liuzza	
4,854,106	A	8/1989	Bogar	
5,421,136	A	6/1995	Van De Peer	
5,822,946	A	10/1998	Rasmussen	
5,832,690	A	11/1998	Kaines	
6,089,522	A	7/2000	Haslem et al.	
6,354,054	B1	3/2002	Verelli et al.	
6,732,484	B1	5/2004	Sotelo et al.	
6,735,918	B2	5/2004	Haslem et al.	
6,883,289	B2	4/2005	Juedes et al.	
D548,053	S *	8/2007	Erickson et al.	D8/354
D548,055	S *	8/2007	Erickson et al.	D8/354

D569,228	S *	5/2008	Terada et al.	D8/349
7,458,192	B2	12/2008	Lowery	
7,506,482	B2 *	3/2009	Sorkin	52/685
D608,182	S *	1/2010	Banks	D8/354
D621,239	S *	8/2010	Sorkin	D8/354
2003/0009979	A1	1/2003	Haslem et al.	
2007/0193189	A1	8/2007	Bennett et al.	
2008/0028718	A1	2/2008	Erickson et al.	
2009/0044481	A1	2/2009	Turek	
2009/0100784	A1	4/2009	Garza et al.	
2009/0120030	A1	5/2009	Garza	

**FOREIGN PATENT DOCUMENTS**

GB	2077319	A	12/1981
JP	1210554	A	8/1989
WO	9001600	A1	2/1990

\* cited by examiner

*Primary Examiner*—Melody N Brown

(74) *Attorney, Agent, or Firm*—Dorr, Carson & Birney, P.C.

(57) **CLAIM**

The ornamental design for a mesh spacer for reinforced concrete, as shown and described.

**DESCRIPTION**

FIG. 1 is a front perspective view of a mesh spacer for reinforced concrete showing my new design.

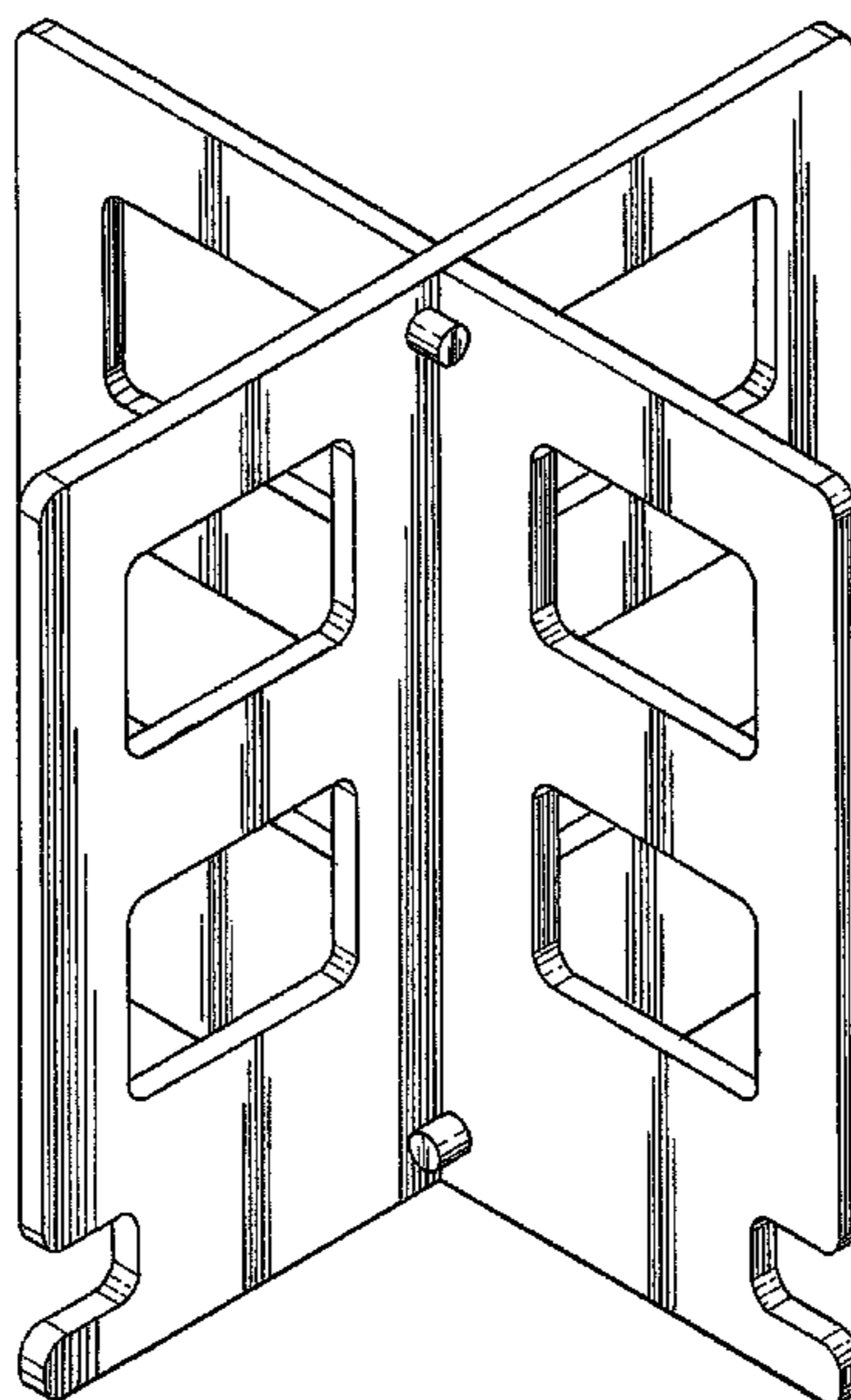
FIG. 2 is a front elevational view thereof, with the rear elevational view being the same as FIG. 2.

FIG. 3 is a left side elevational view thereof, with the right side elevational view being the same as FIG. 3.

FIG. 4 is a bottom plan view thereof; and,

FIG. 5 is a top plan view thereof.

**1 Claim, 5 Drawing Sheets**



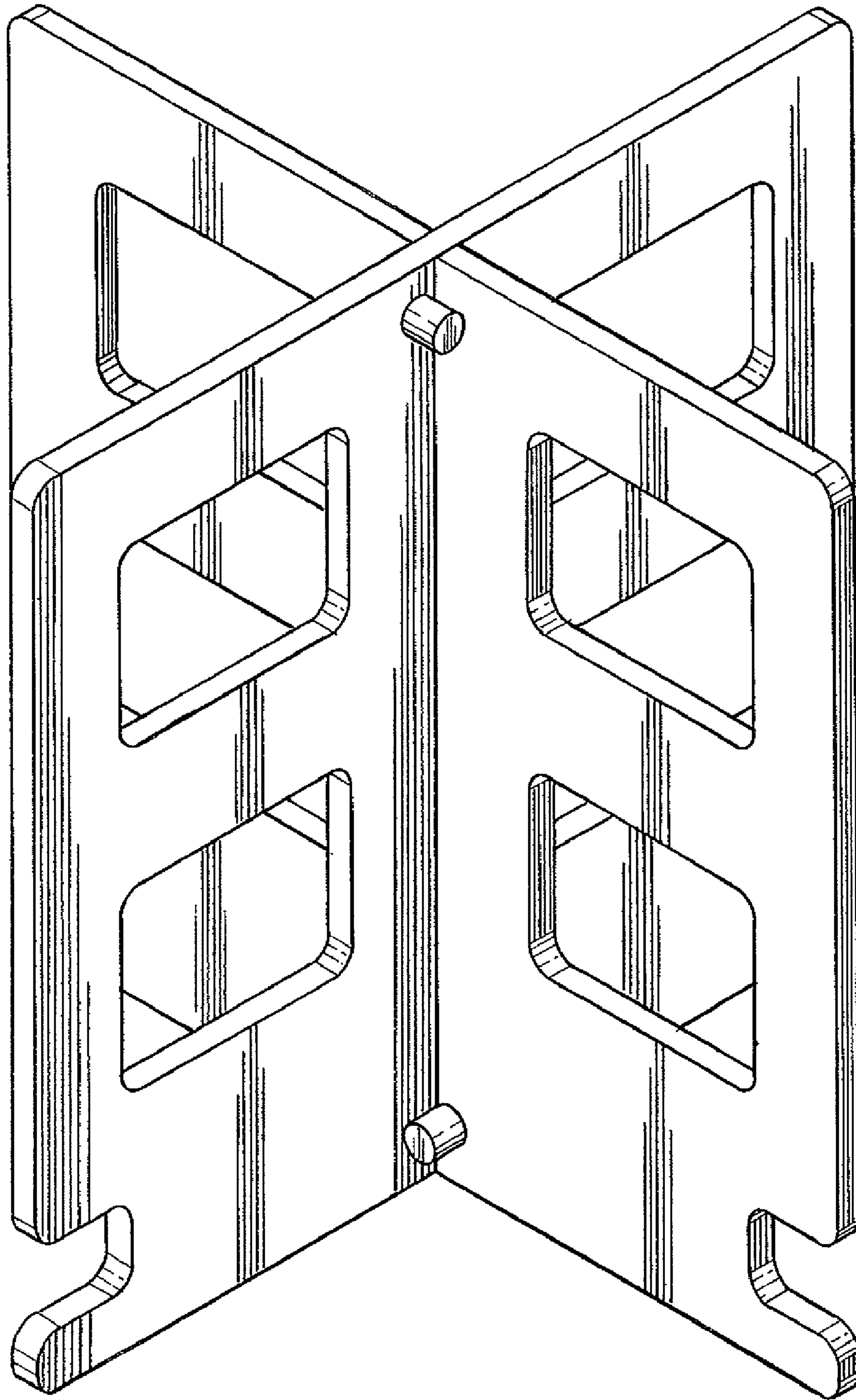


Fig. 1

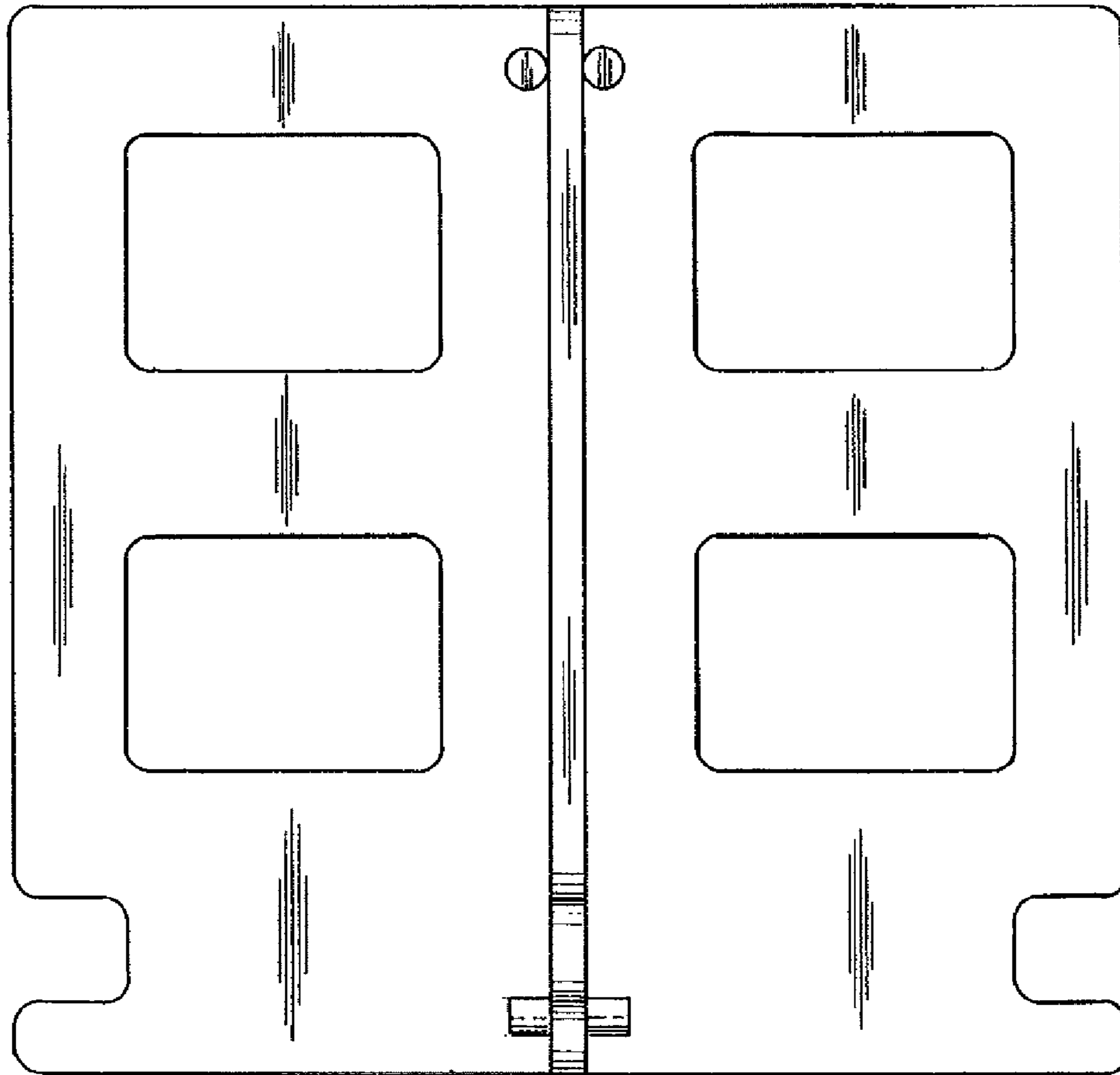


Fig. 2

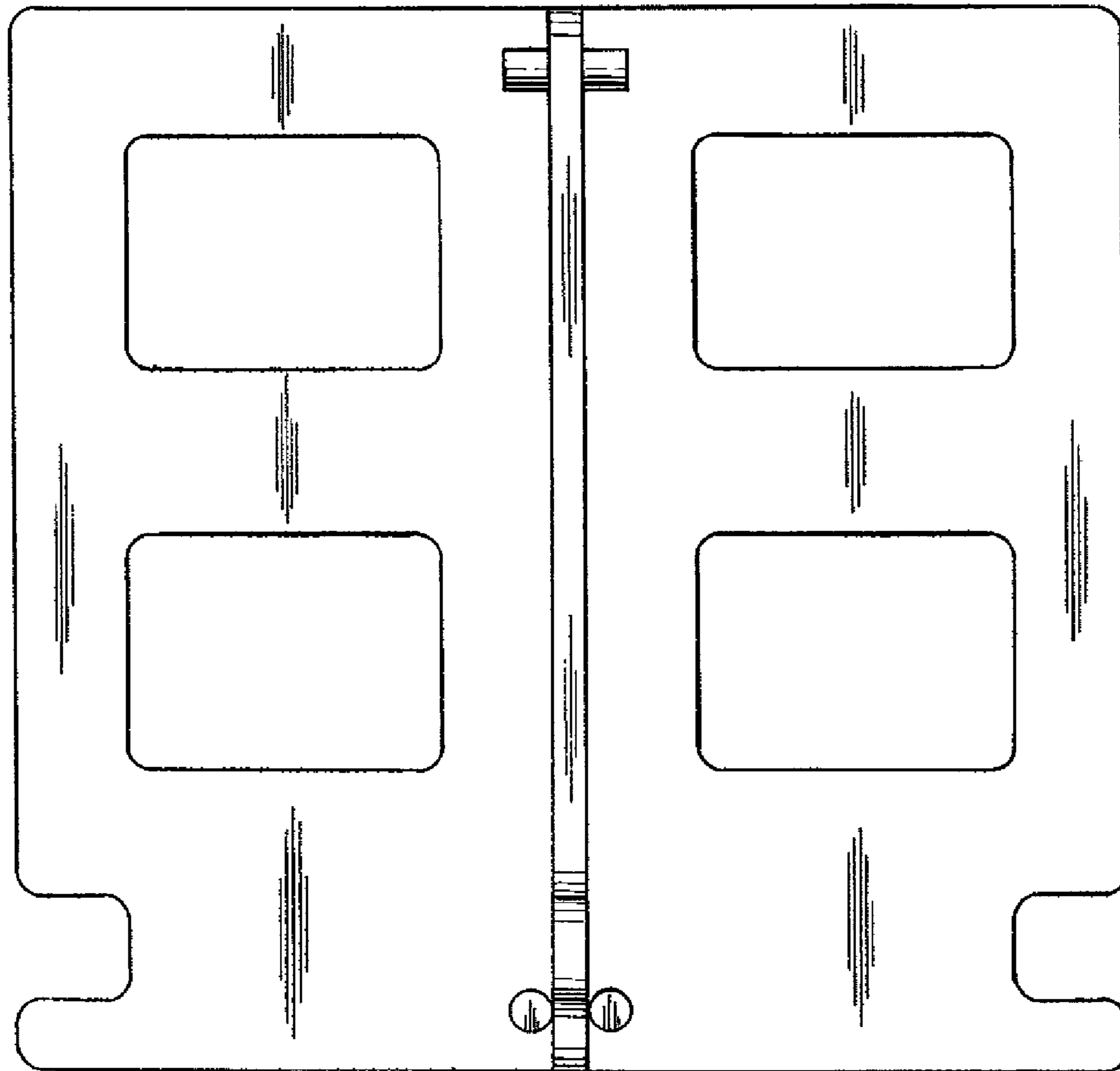


Fig. 3

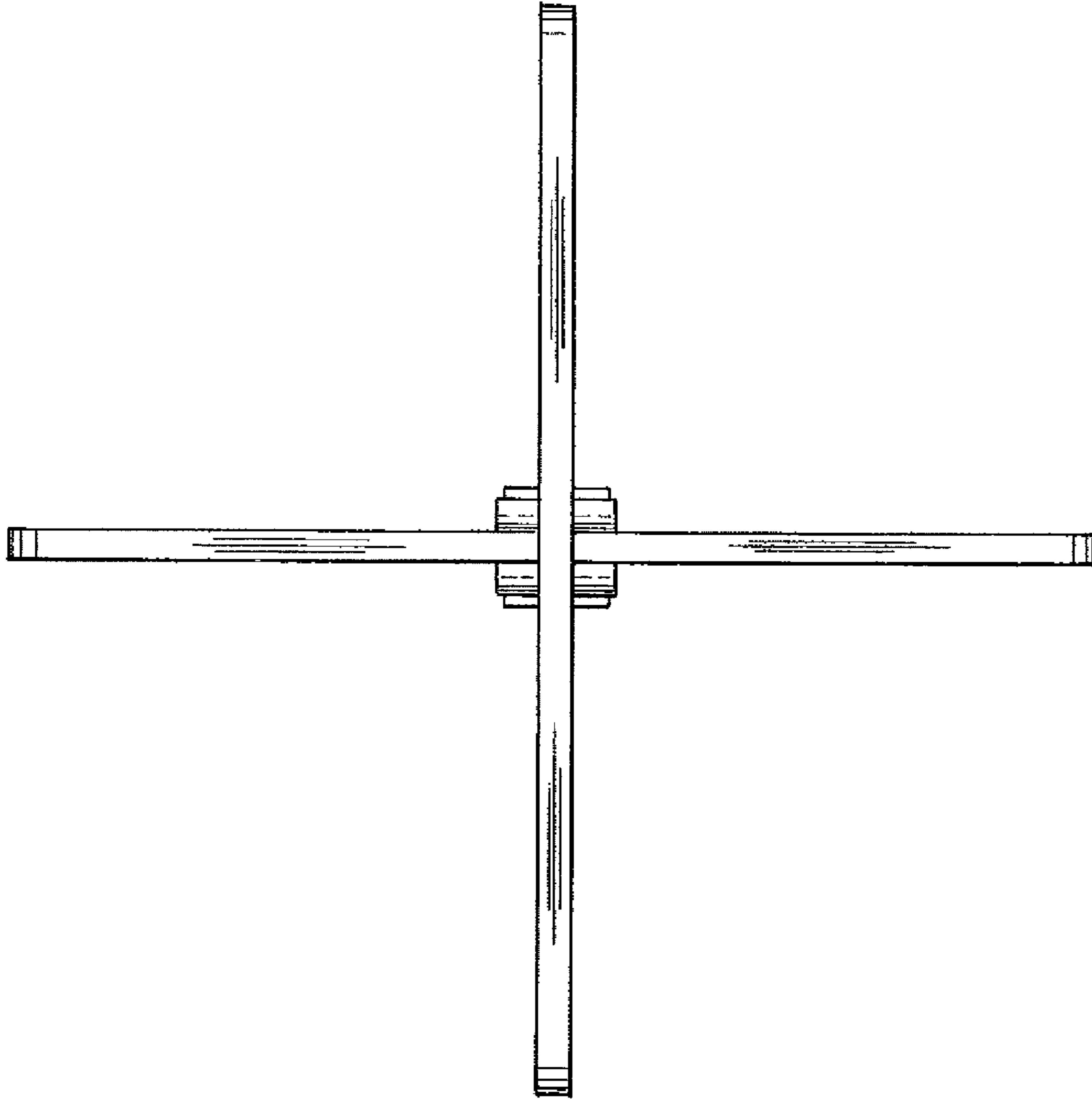


Fig. 4

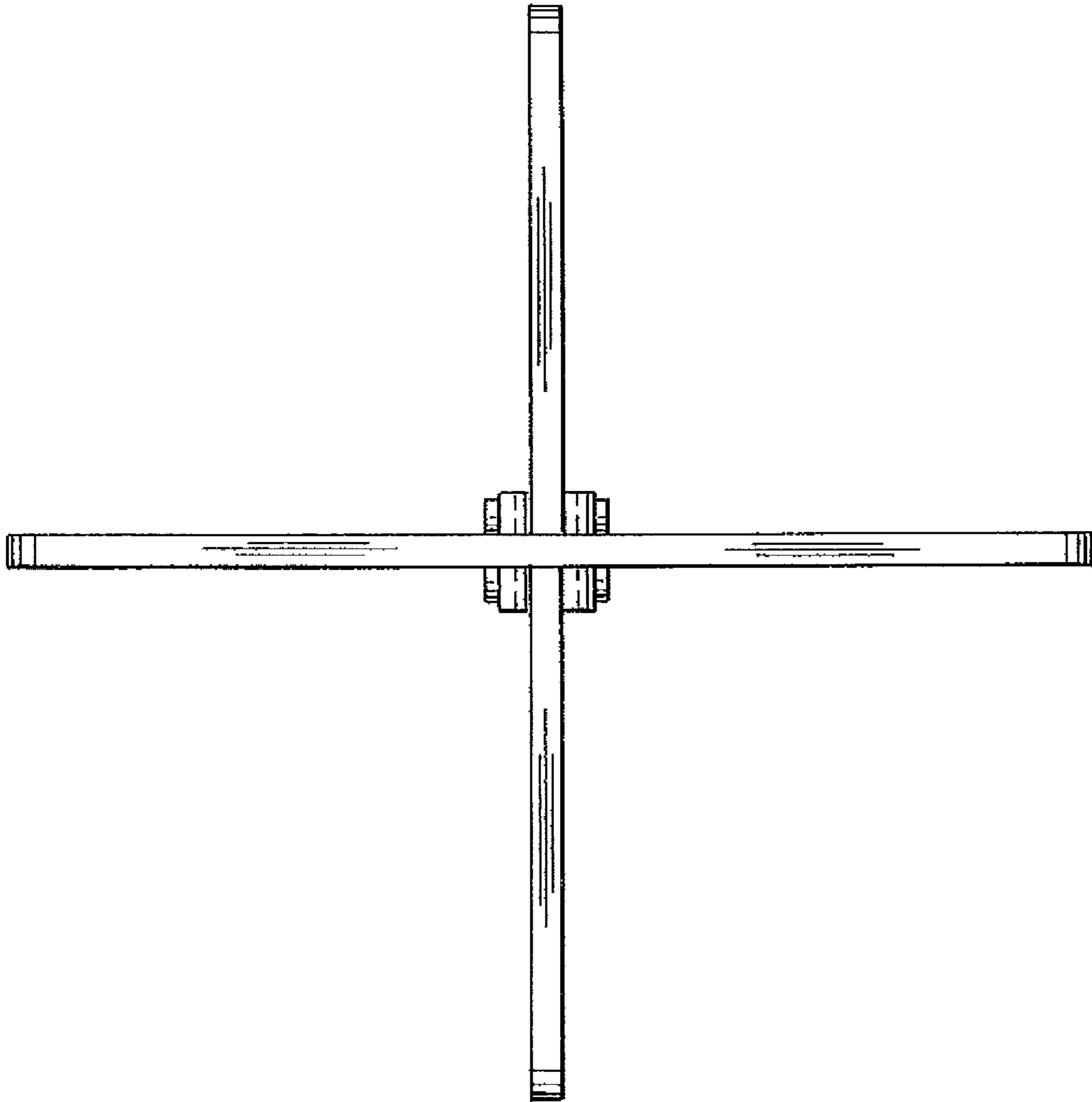


Fig. 5