



US00D627622S

(12) **United States Design Patent**
Cosby et al.

(10) **Patent No.:** **US D627,622 S**

(45) **Date of Patent:** **** Nov. 23, 2010**

(54) **LOCKABLE PULL BOLT**

D605,493 S * 12/2009 Tejszerski D8/331

(75) Inventors: **Scott Anthony Cosby**, North Curl Curl (AU); **Anthony John Clark**, Cremorne (AU)

* cited by examiner

Primary Examiner—Prabhakar Deshmukh

(74) *Attorney, Agent, or Firm*—Fulwider Patton LLP

(73) Assignee: **D&D Group Pty Ltd**, French Forest, NSW (AU)

(57) **CLAIM**

The ornamental design for a lockable pull bolt, as shown and described.

(**) Term: **14 Years**

(21) Appl. No.: **29/355,640**

DESCRIPTION

(22) Filed: **Feb. 11, 2010**

FIG. 1 is a perspective view of a lockable pull bolt showing our new design;

(51) **LOC (9) Cl.** **08-07**

FIG. 2 is a top plan view thereof;

(52) **U.S. Cl.** **D8/331; D8/339**

FIG. 3 is a front elevational view thereof;

(58) **Field of Classification Search** D8/330, D8/331, 343, 339, 349, 341; 70/107–111, 70/114, 118, 141, 488, 162; 292/2, 32, 63, 292/137, 174

FIG. 4 is a bottom plan view thereof;

FIG. 5 is a rear elevational view thereof;

See application file for complete search history.

FIG. 6 is a left side elevational view thereof;

FIG. 7 is a rights side elevational view thereof;

(56) **References Cited**

FIG. 8 is a perspective view of a second embodiment of a lockable pull bolt;

U.S. PATENT DOCUMENTS

FIG. 9 is a top plan view of FIG. 8;

2,942,907 A * 6/1960 Nagel et al. 292/251.5

FIG. 10 is a front elevational view of FIG. 8;

3,591,219 A * 7/1971 Graziosi 292/207

FIG. 11 is a rear elevational view of FIG. 8;

D371,503 S * 7/1996 Nakano D8/331

FIG. 12 is a left side elevational view of FIG. 8; and,

D457,113 S * 5/2002 Zapushek et al. D12/162

FIG. 13 is a right side elevational view of FIG. 8.

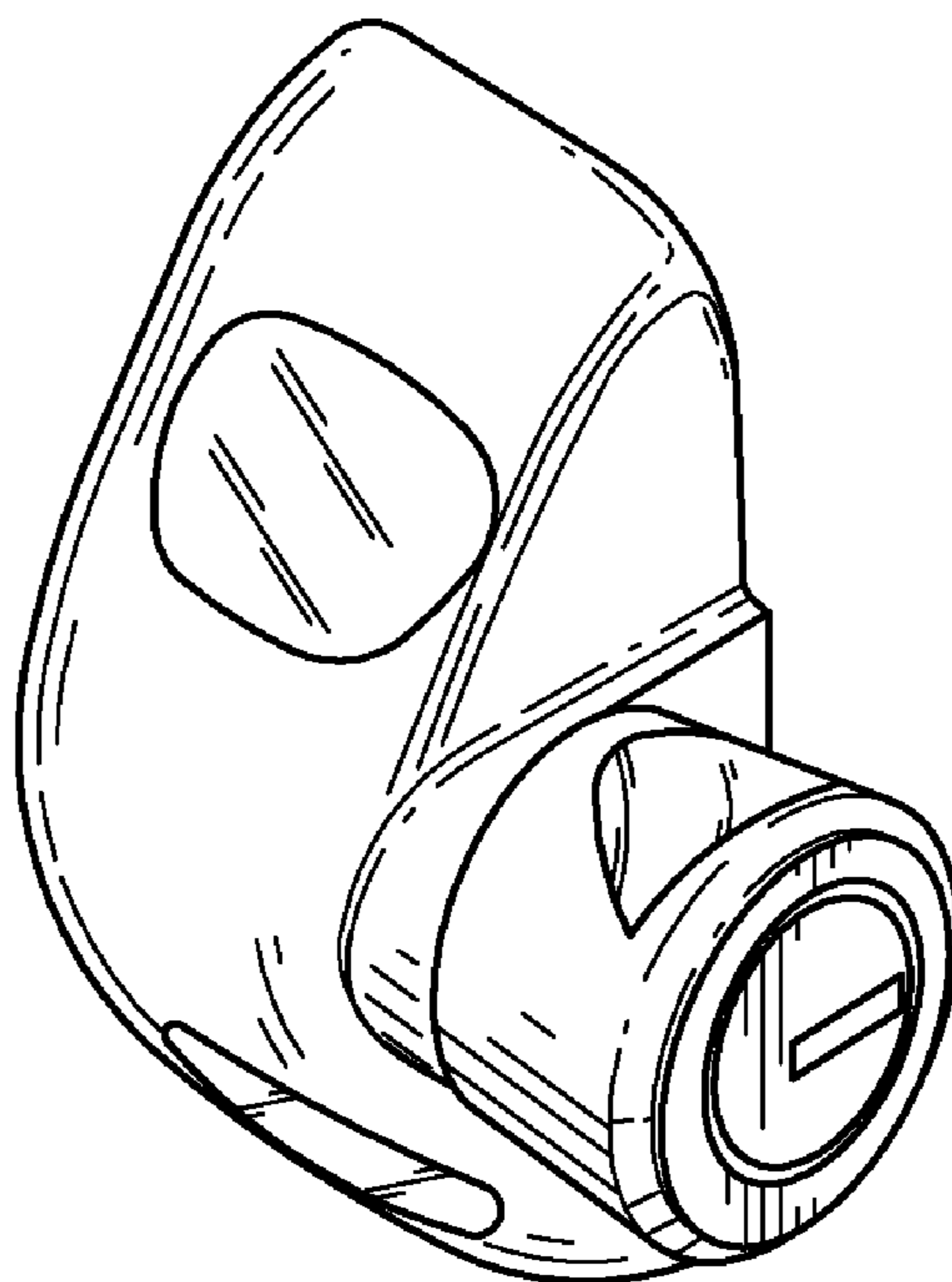
D484,389 S * 12/2003 Evans D8/331

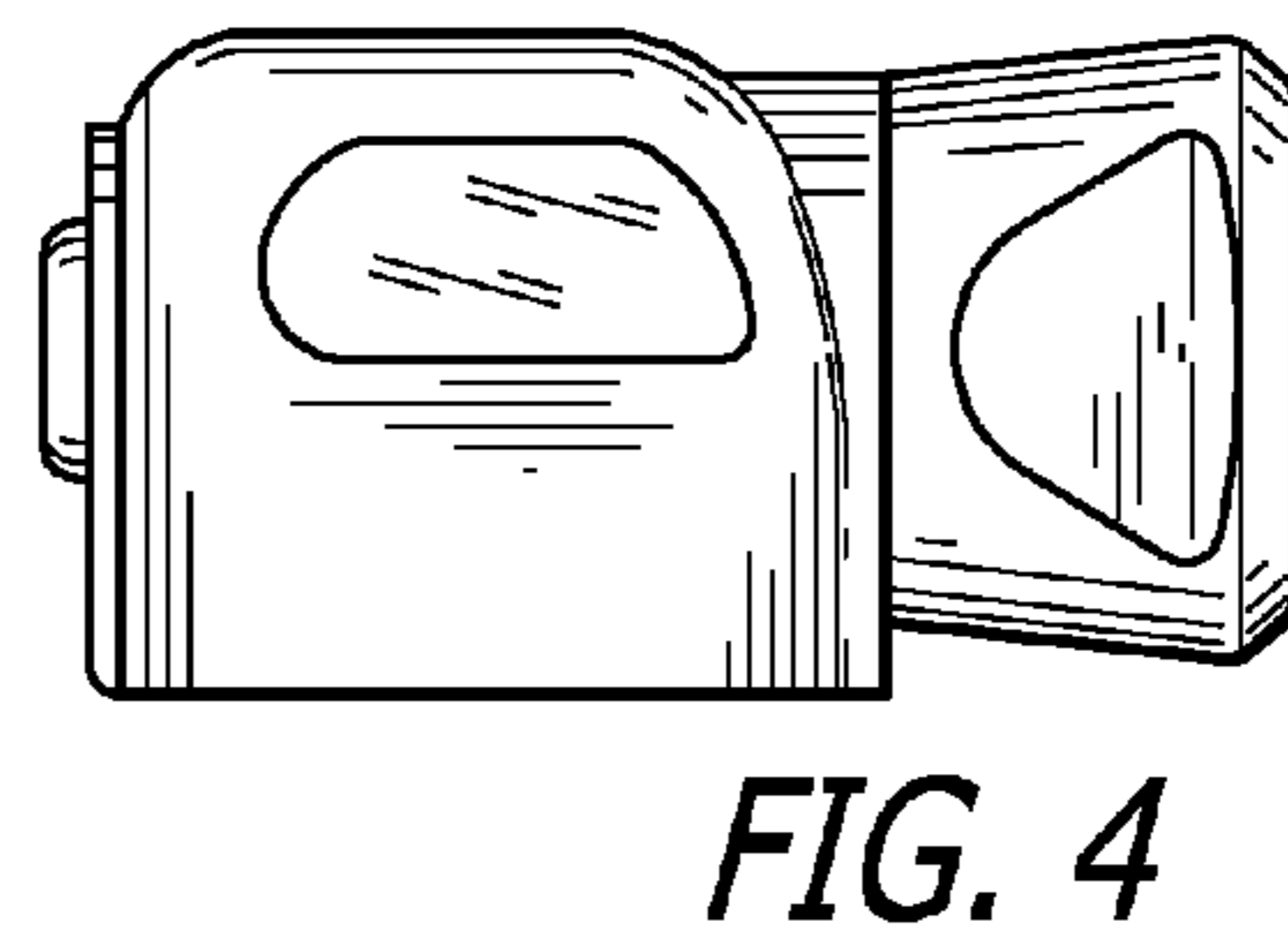
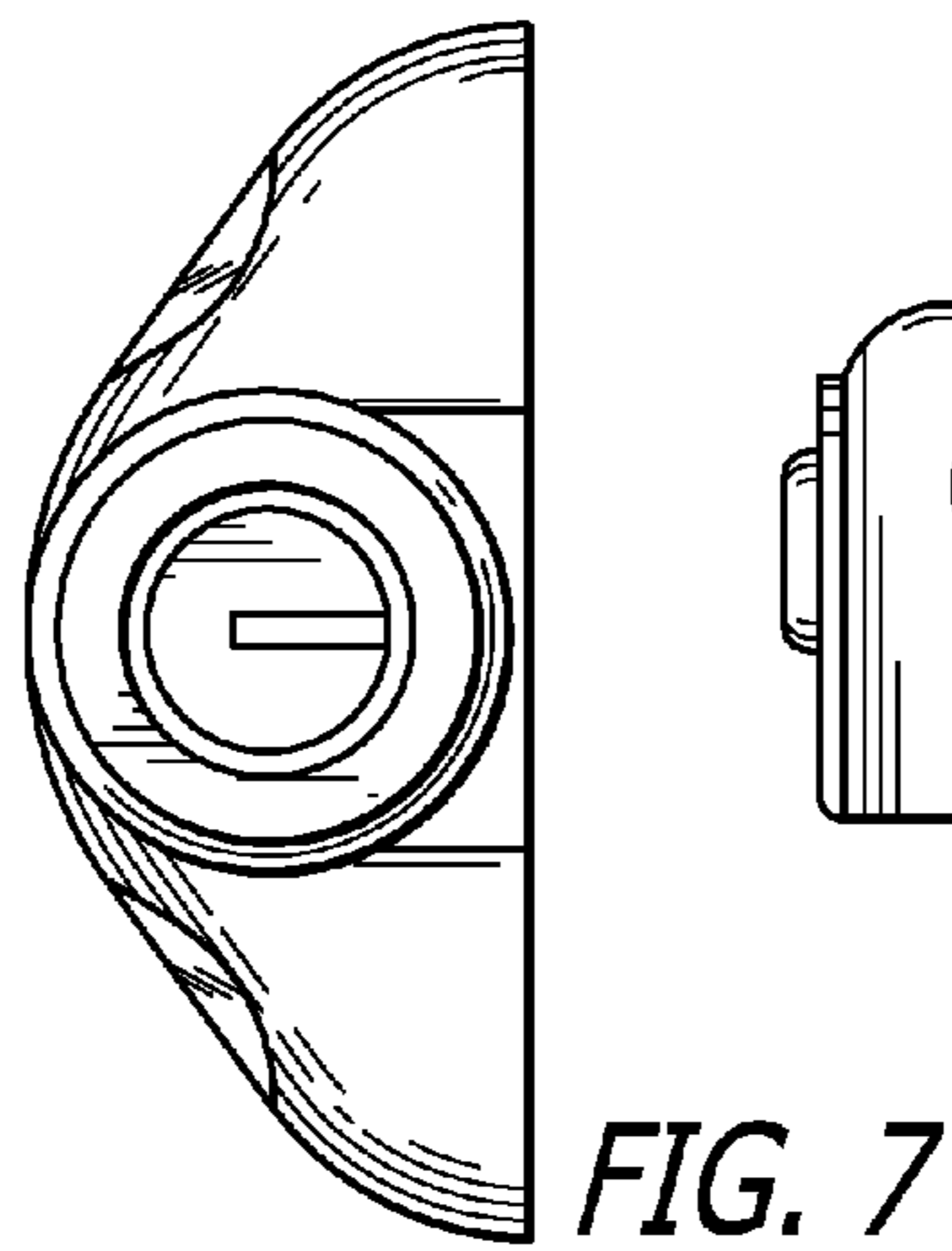
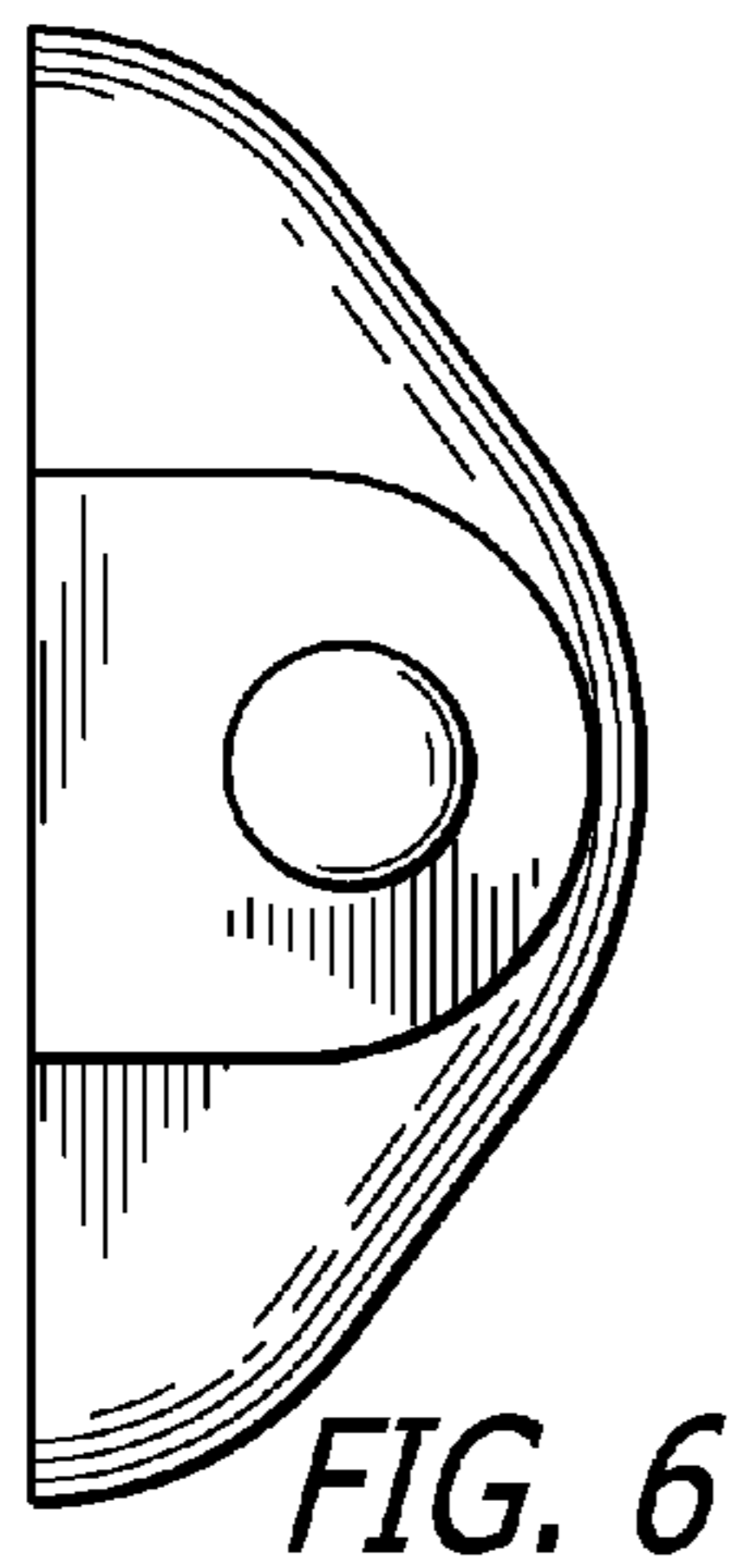
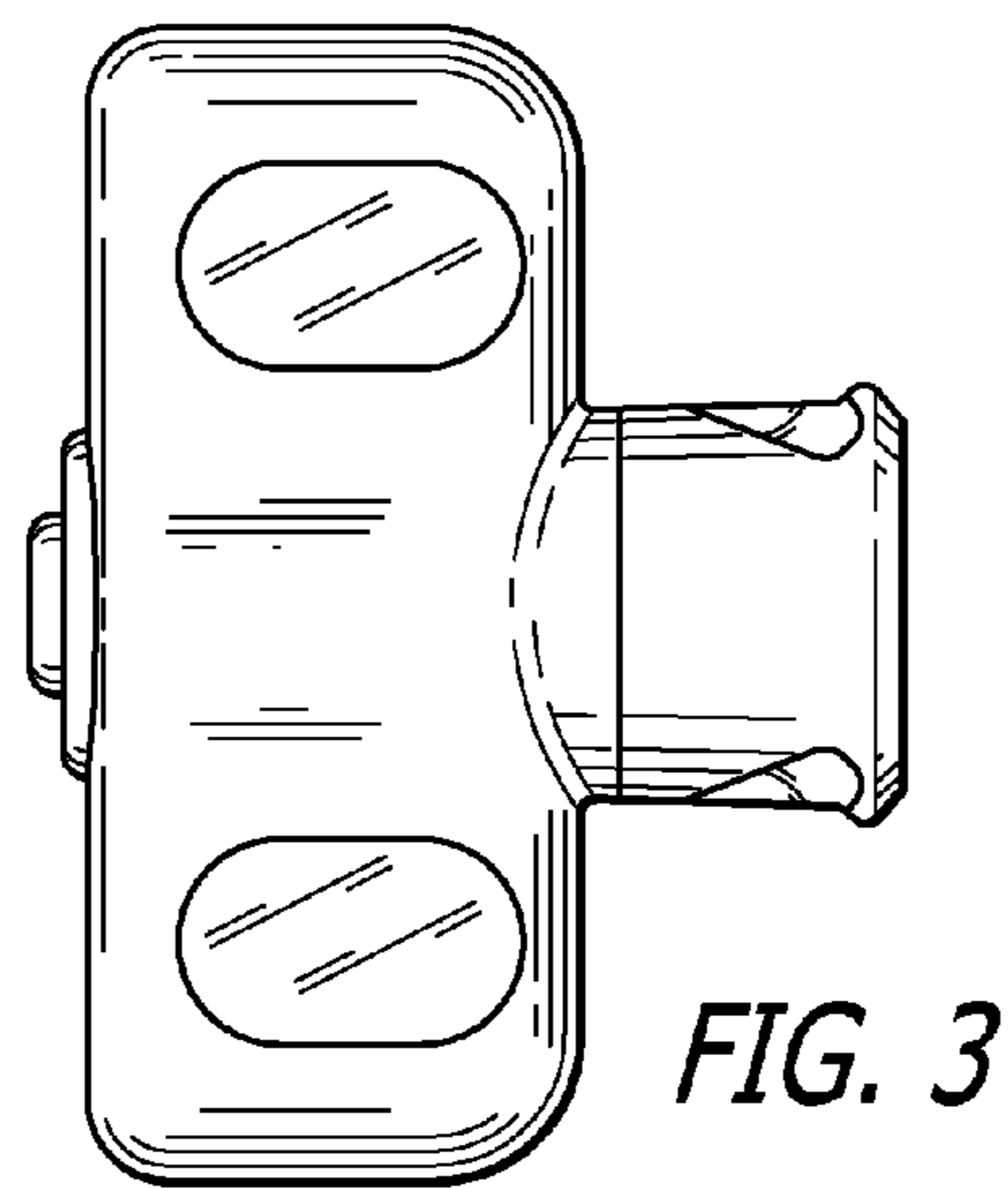
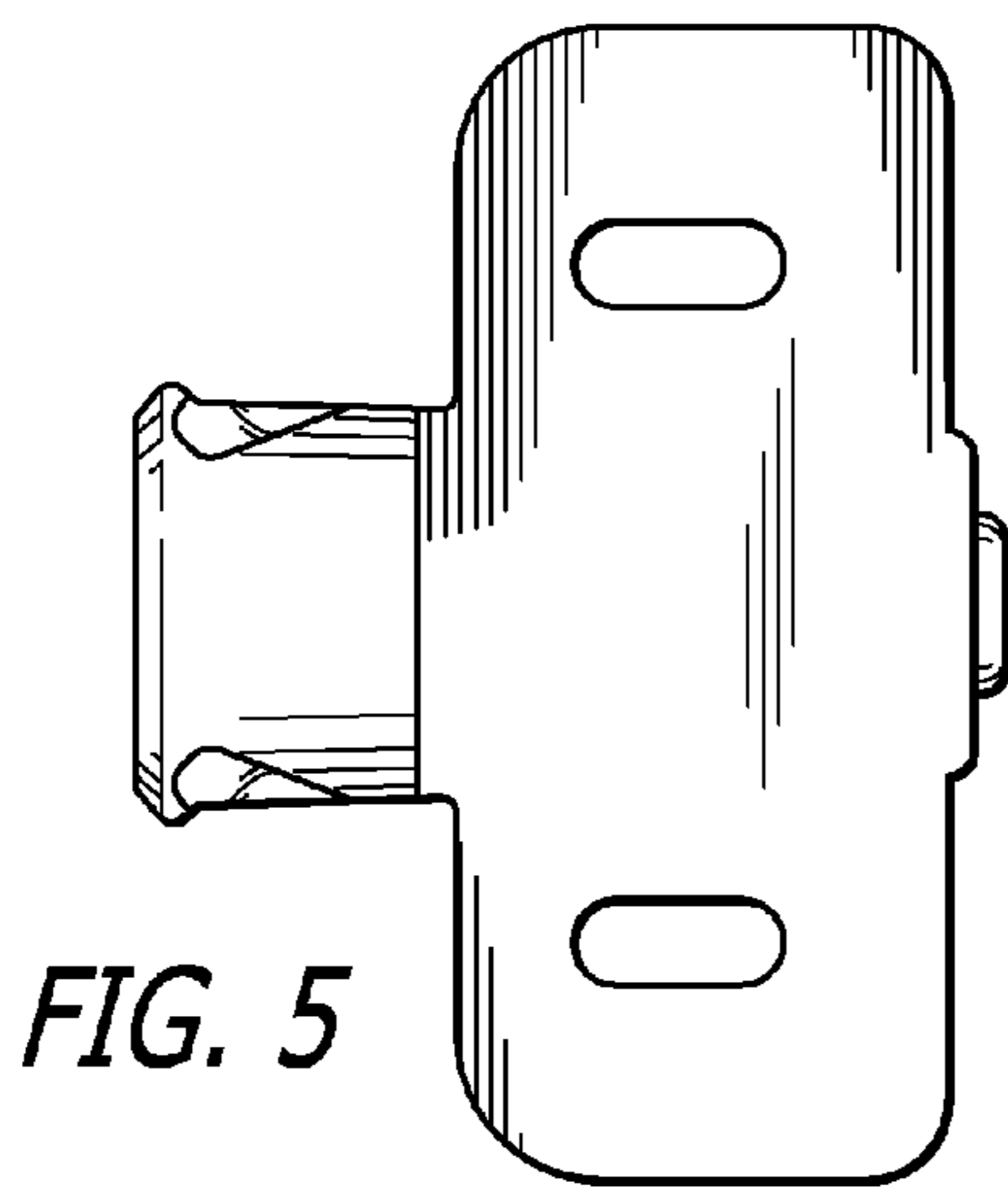
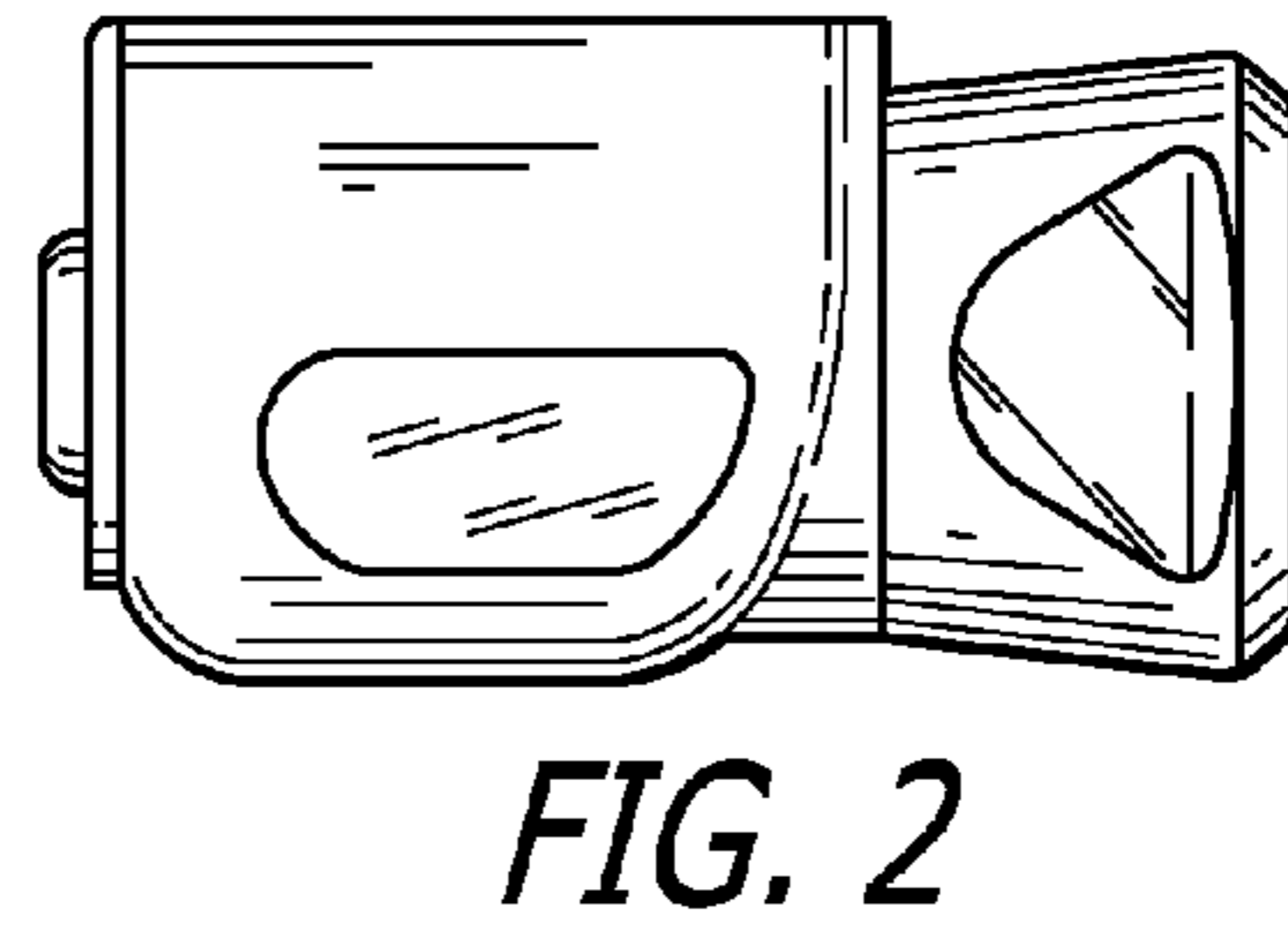
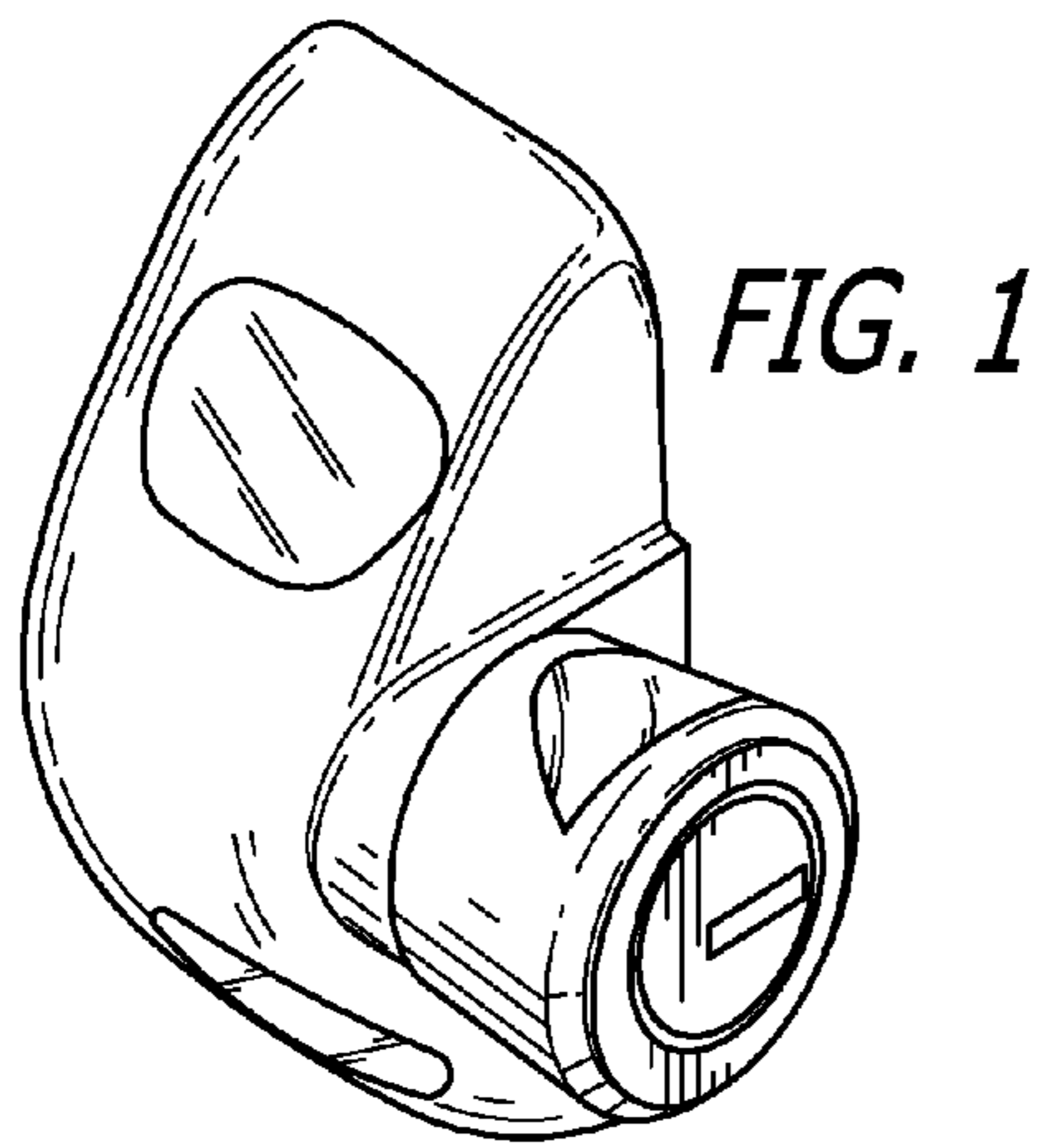
D495,235 S * 8/2004 Burrows D8/341

D502,859 S * 3/2005 Peng et al. D8/331

D601,403 S * 10/2009 Cosby et al. D8/331

1 Claim, 2 Drawing Sheets





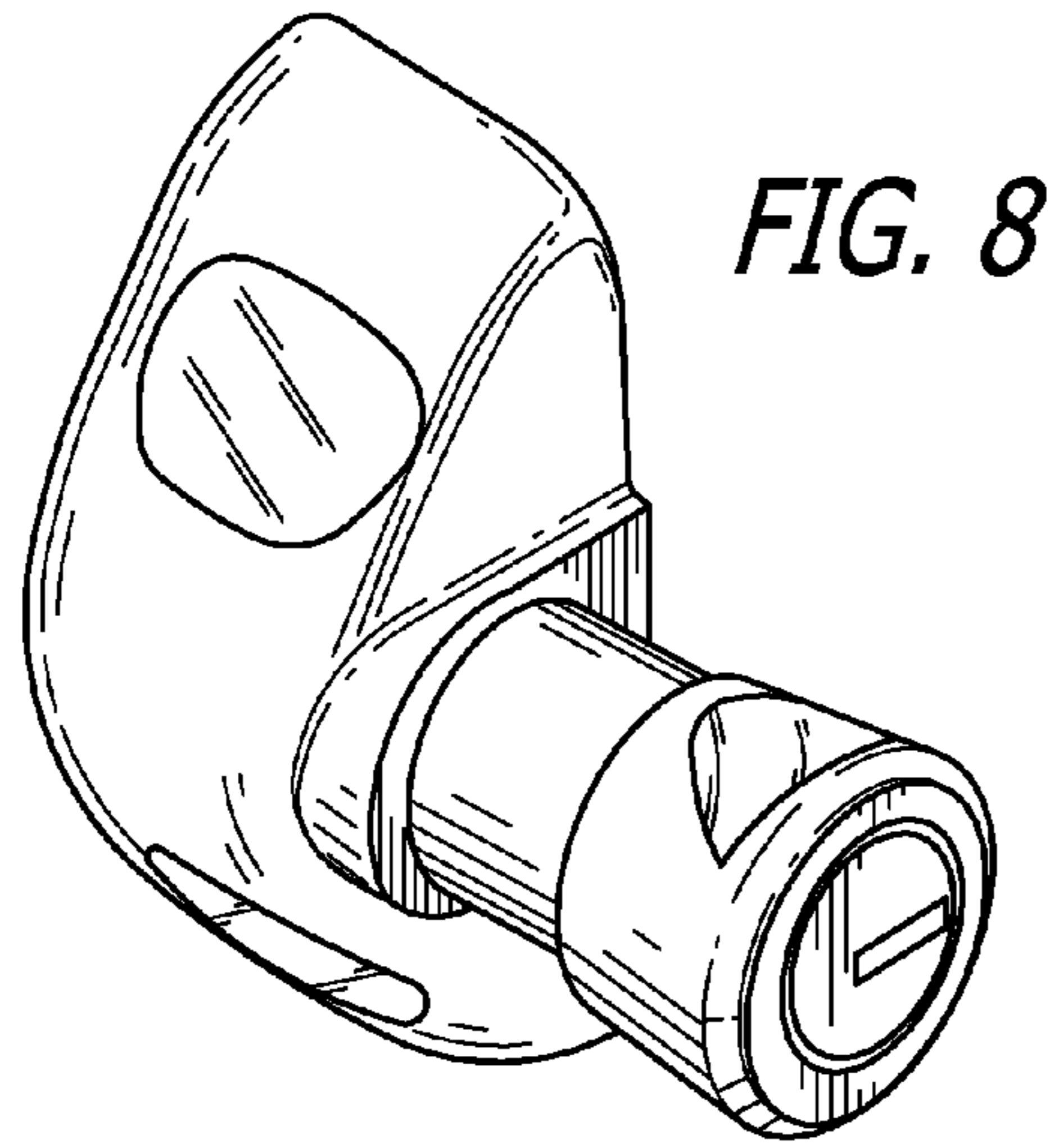


FIG. 8

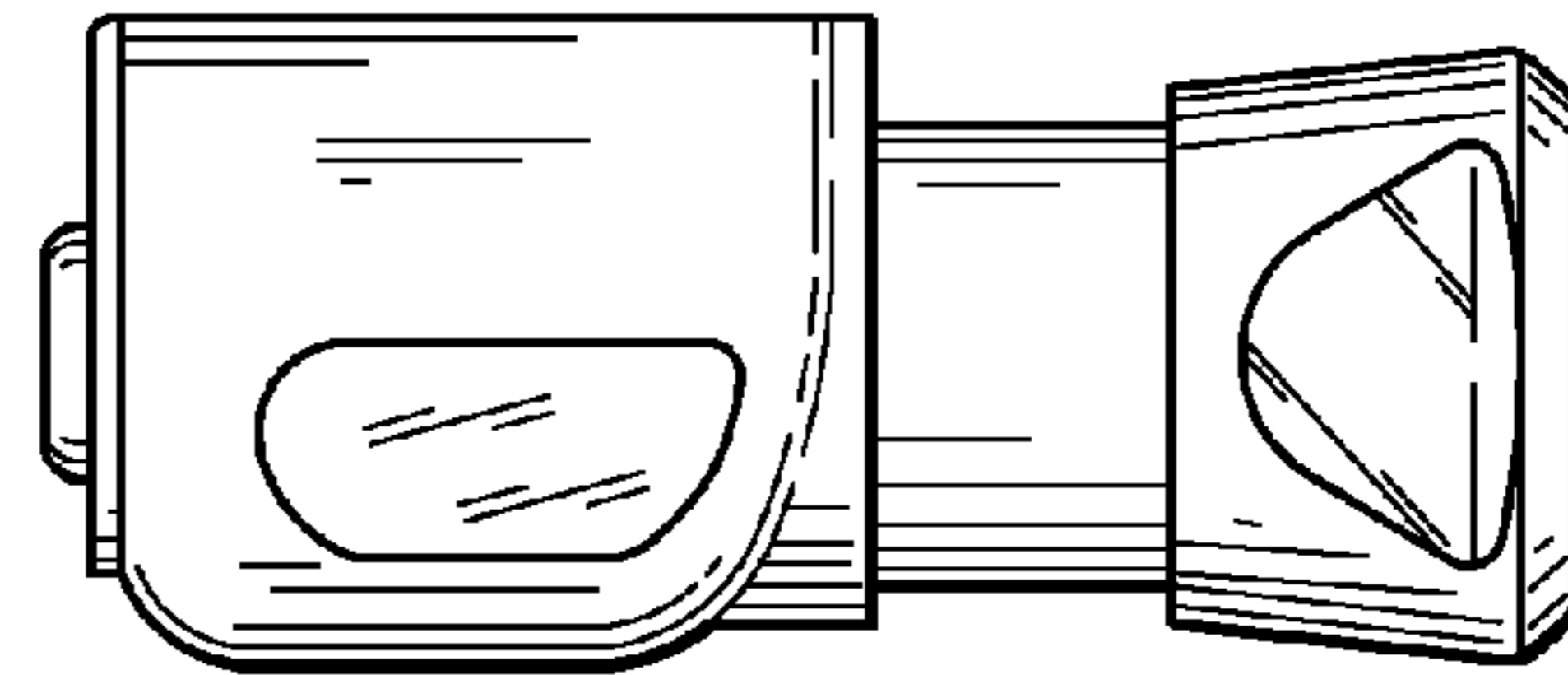


FIG. 9

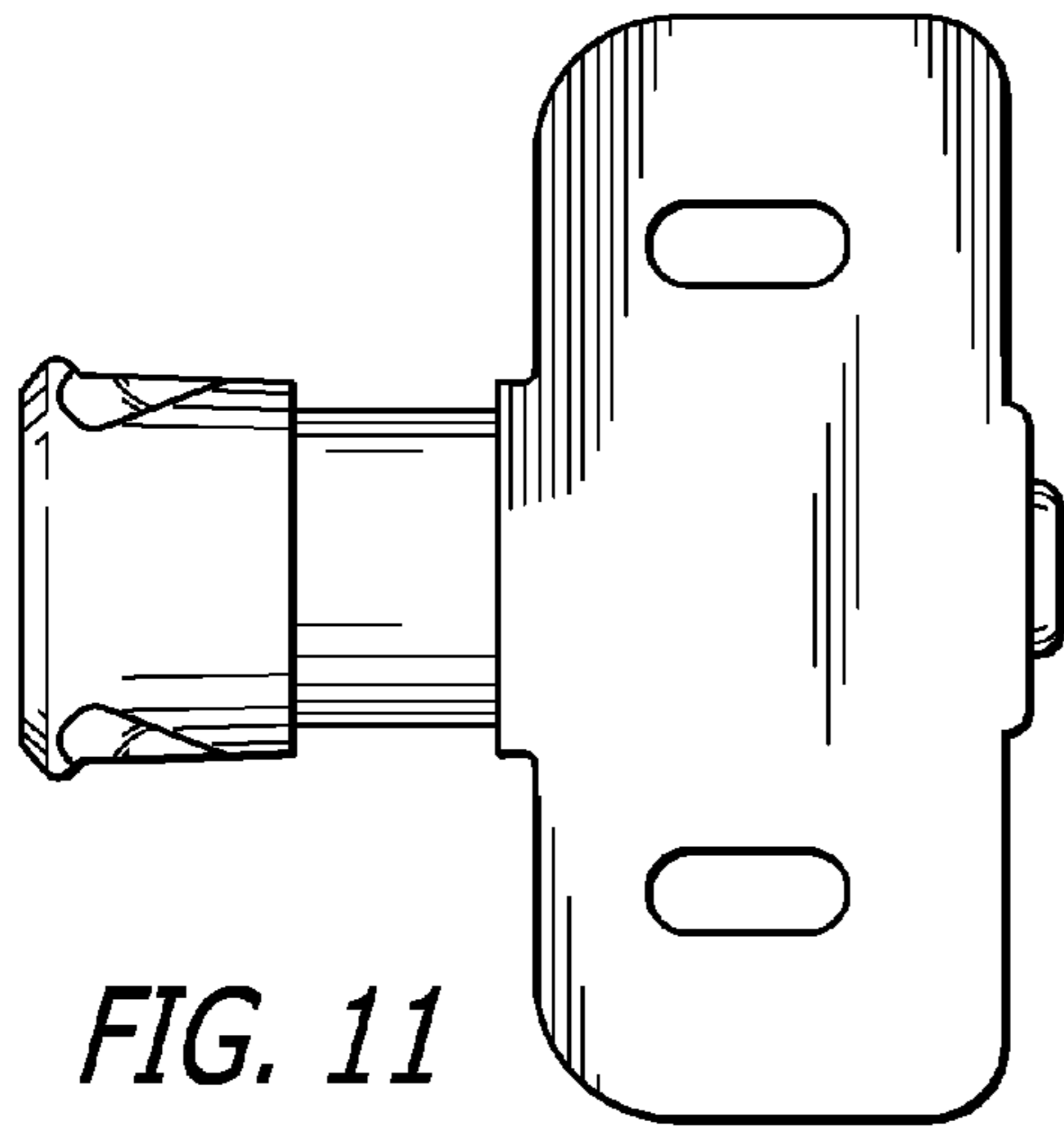


FIG. 11

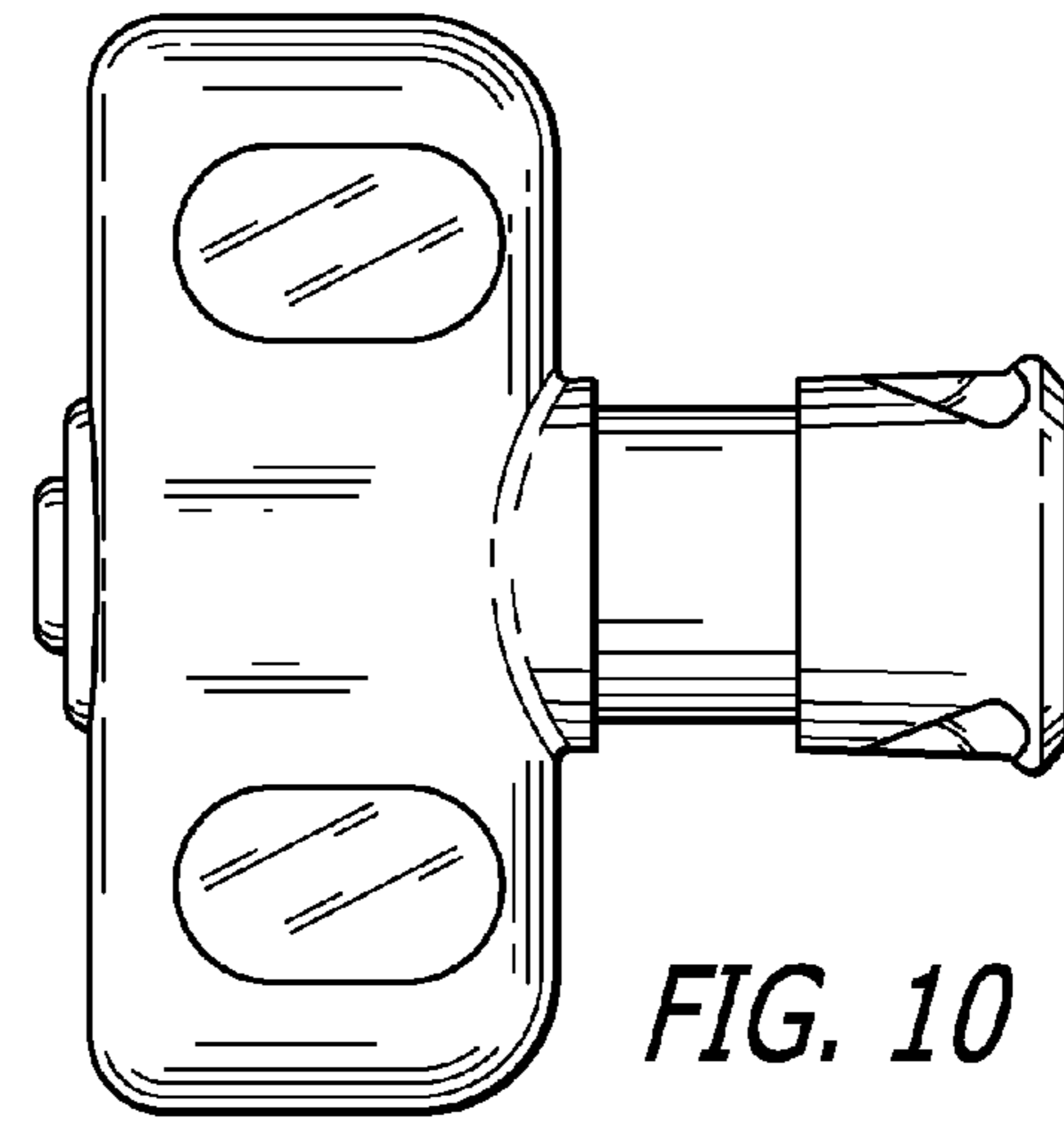


FIG. 10

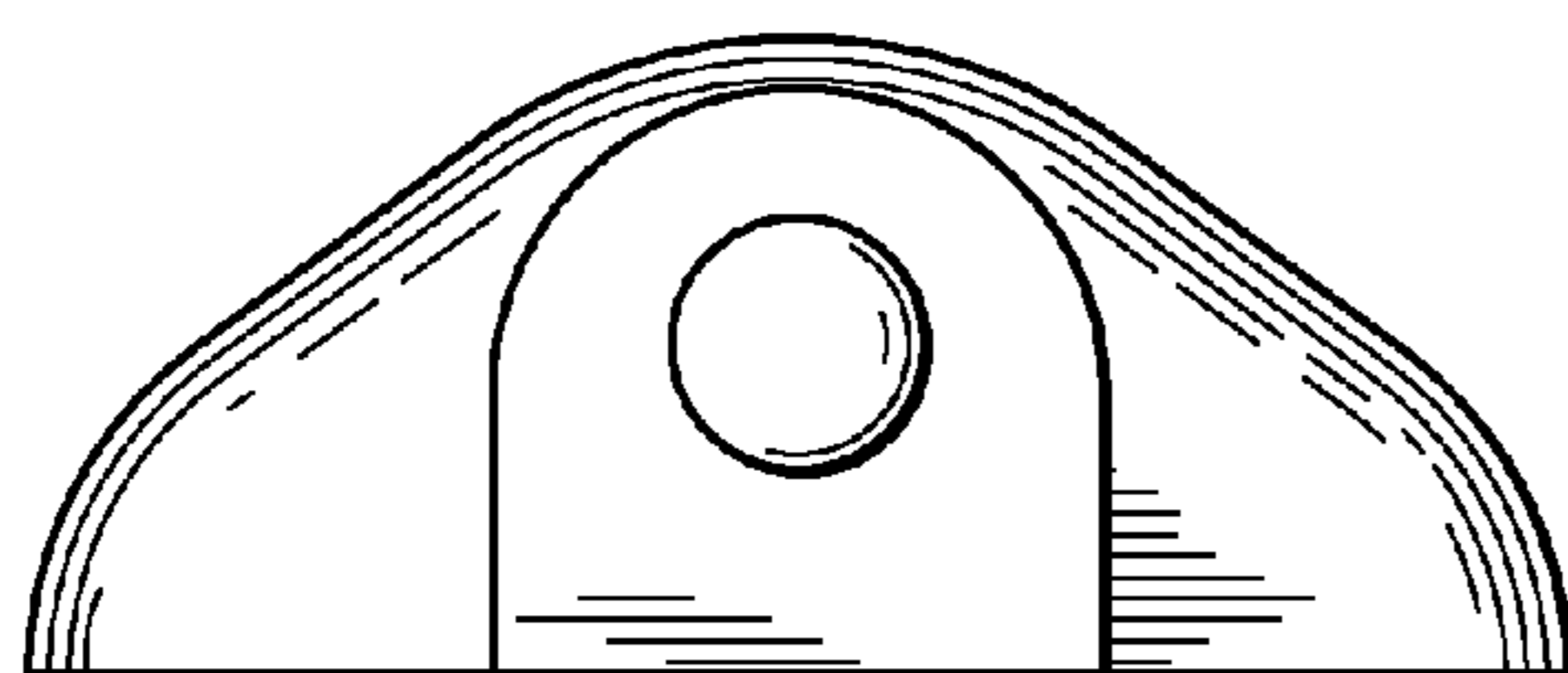


FIG. 12

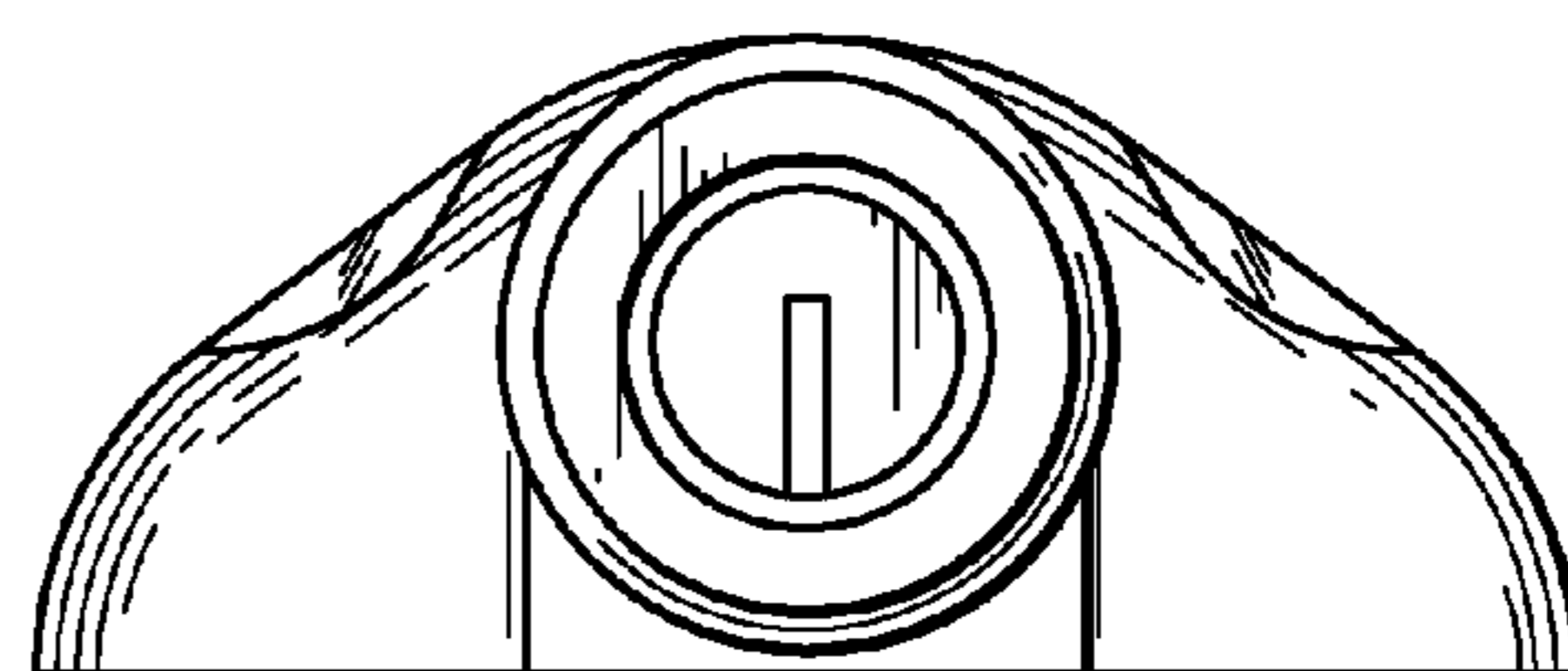


FIG. 13