



US00D627621S

(12) **United States Design Patent**
Liljeqvist et al.

(10) **Patent No.:** **US D627,621 S**

(45) **Date of Patent:** **** Nov. 23, 2010**

- (54) **LOCKING DEVICE**
- (75) Inventors: **Per Liljeqvist**, Anderstorp (SE); **Tommy Johansen**, Värnamo (SE)
- (73) Assignee: **Axelent AB**, Hillerstorp (SE)
- (**) Term: **14 Years**
- (21) Appl. No.: **29/357,516**
- (22) Filed: **Mar. 12, 2010**

6,173,592 B1 * 1/2001 Yu 70/69
 D440,238 S 4/2001 Alvring et al.
 D452,998 S 1/2002 Speed
 D492,183 S 6/2004 Becker
 D495,582 S 9/2004 Richardson et al.
 D519,824 S 5/2006 Collings et al.
 D521,358 S 5/2006 Liao
 D523,732 S 6/2006 Farrar et al.

* cited by examiner

Primary Examiner—Prabhakar Deshmukh
Assistant Examiner—Derrick Holland
 (74) *Attorney, Agent, or Firm*—Birch, Stewart, Kolasch & Birch, LLP

Related U.S. Application Data

- (62) Division of application No. 29/326,956, filed on Oct. 28, 2008, now Pat. No. Des. 620,340.

Foreign Application Priority Data

- (30) Apr. 28, 2008 (EM) 000925391

- (51) **LOC (9) Cl.** **08-07**
- (52) **U.S. Cl.** **D8/330**
- (58) **Field of Classification Search** D8/330,
 D8/331, 333, 337, 341, 342, 343, 344, 346,
 D8/349, 352, 354, 382, 383; 70/14, 51, 57.1,
 70/69, 77, 141, 164, 202, 207, 431, 466;
 292/307 R, 317, 318; 294/82.17
 See application file for complete search history.

References Cited

U.S. PATENT DOCUMENTS

- 3,955,842 A 5/1976 Edwards
- 4,527,310 A * 7/1985 Vandebult 70/57.1
- D344,669 S * 3/1994 Hansen D8/331
- D401,136 S * 11/1998 Derman D8/341
- D412,099 S 7/1999 Korhonen

(57) **CLAIM**

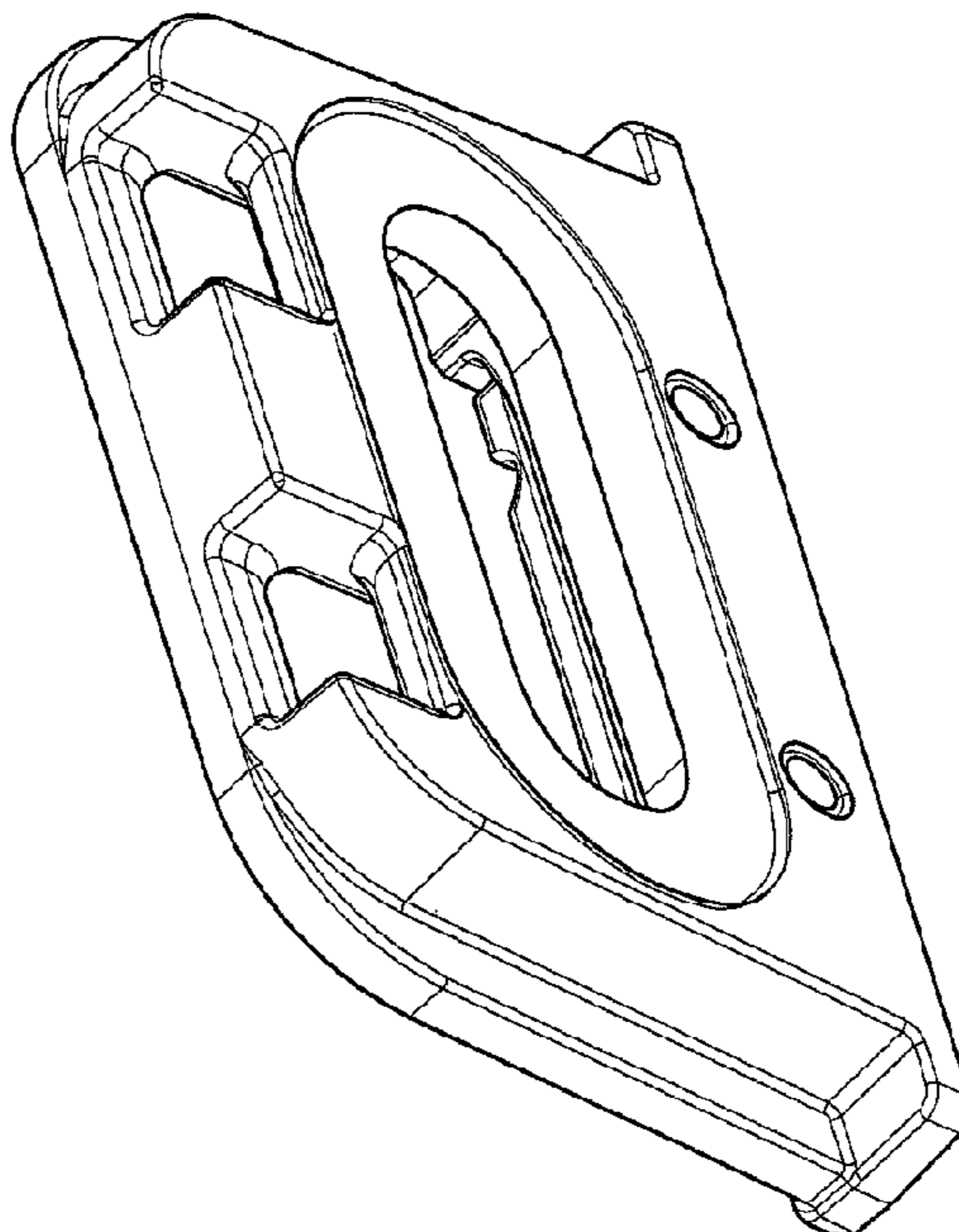
The ornamental design for a locking device, as shown and described.

DESCRIPTION

FIG. 1 is a front perspective view of a locking device showing our new design;
 FIG. 2 is a rear perspective view thereof;
 FIG. 3 is a right side elevational view thereof;
 FIG. 4 is a front elevational view thereof;
 FIG. 5 is a top plan view thereof;
 FIG. 6 is a rear elevational view thereof;
 FIG. 7 is a left side elevational view thereof; and,
 FIG. 8 is a bottom plan view thereof.

The broken lines shown are for illustrative purposes only and form no part of the claimed design.

1 Claim, 3 Drawing Sheets



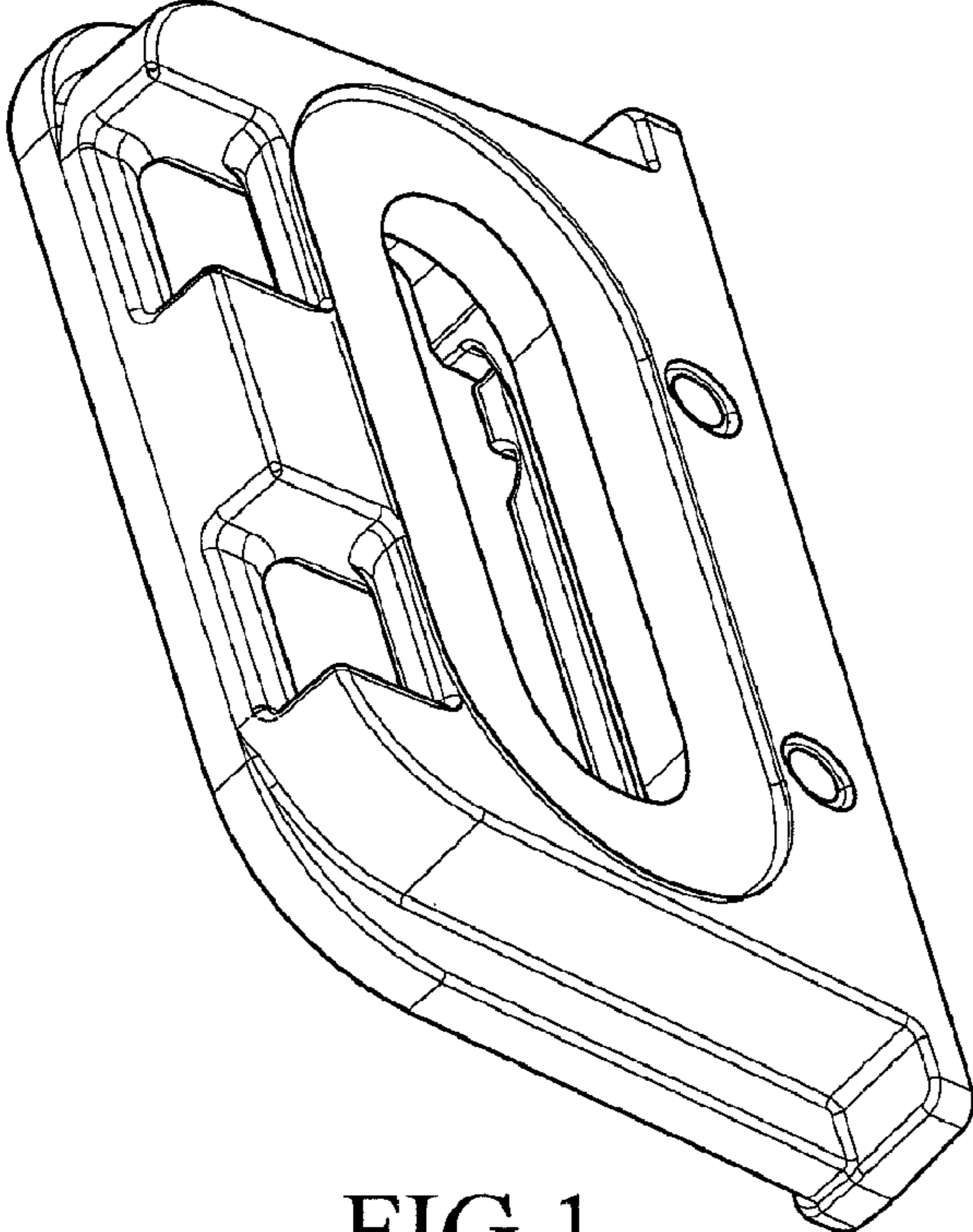


FIG.1

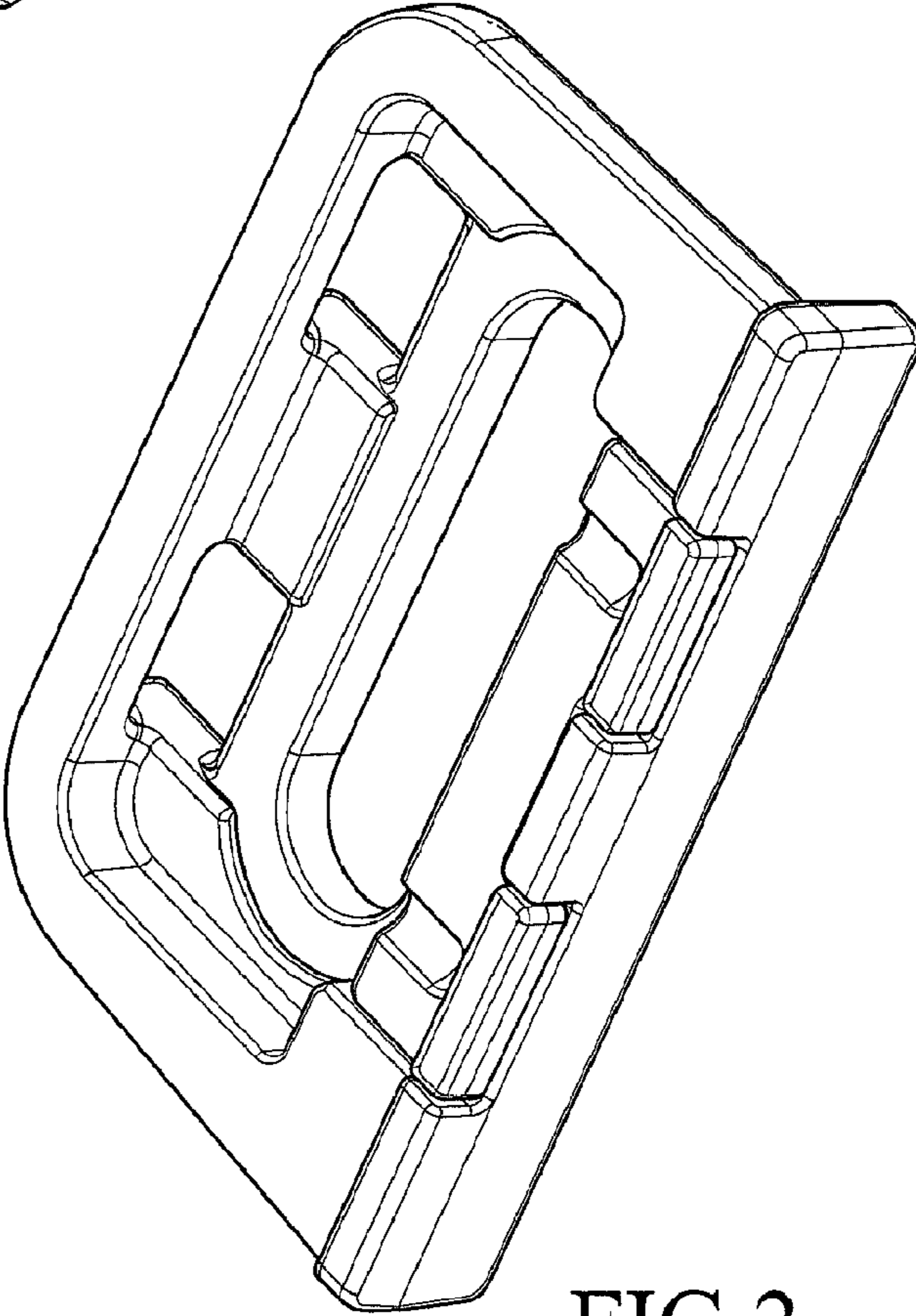


FIG.2

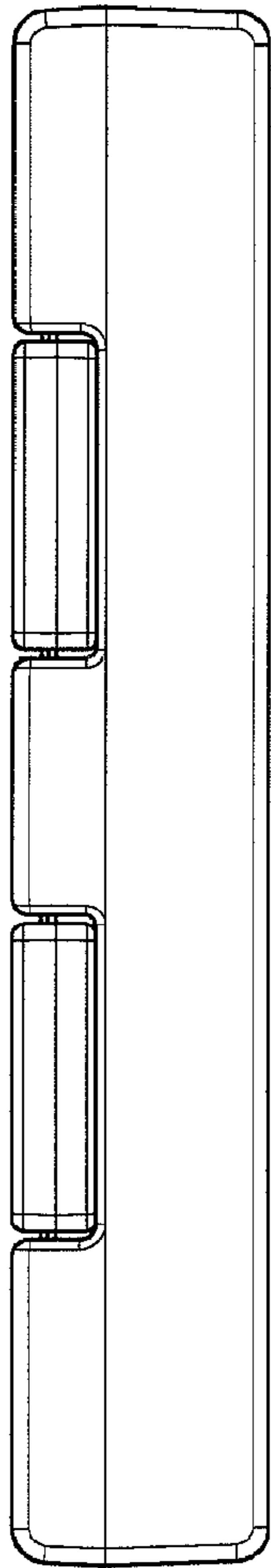


FIG.3

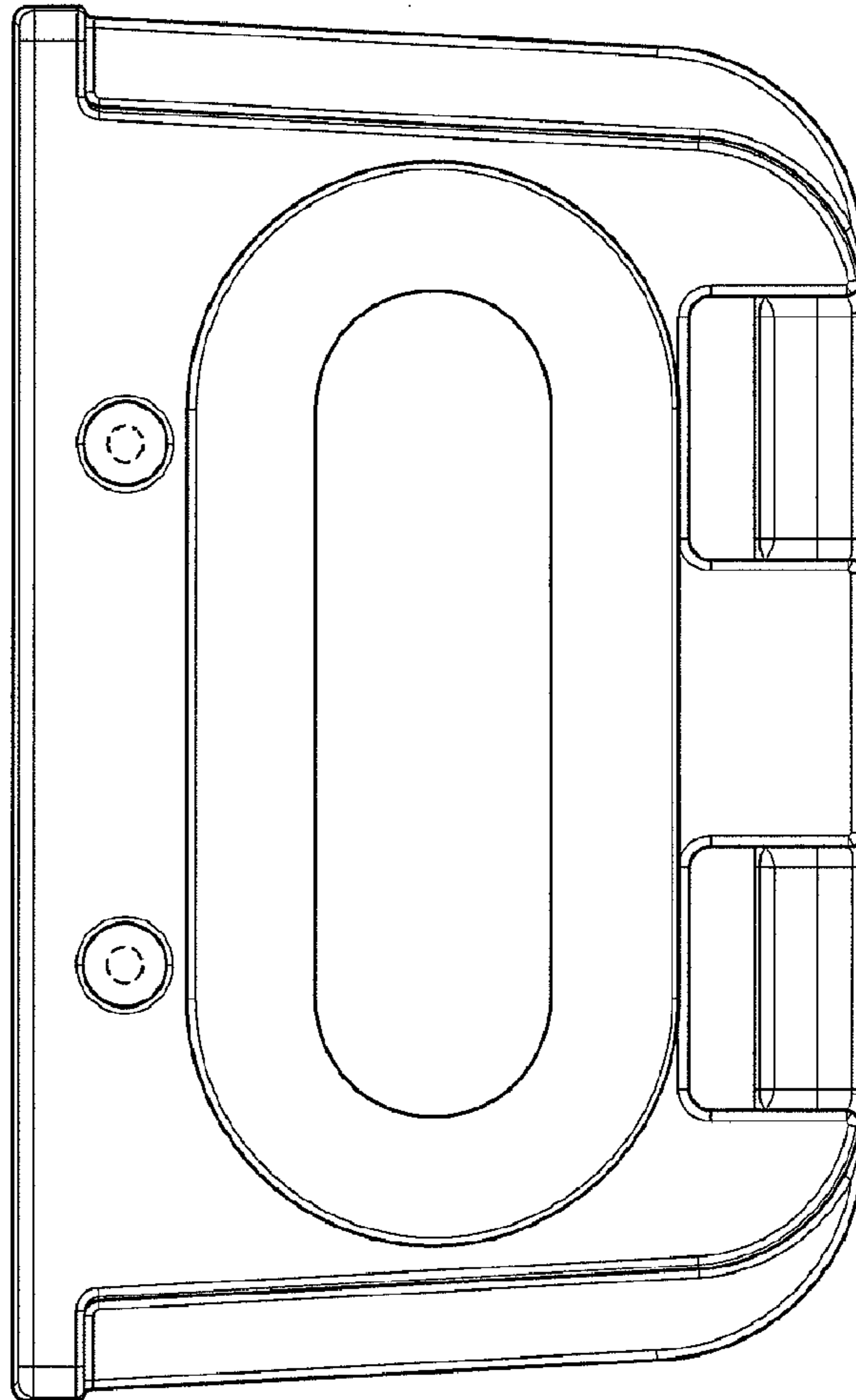


FIG.4

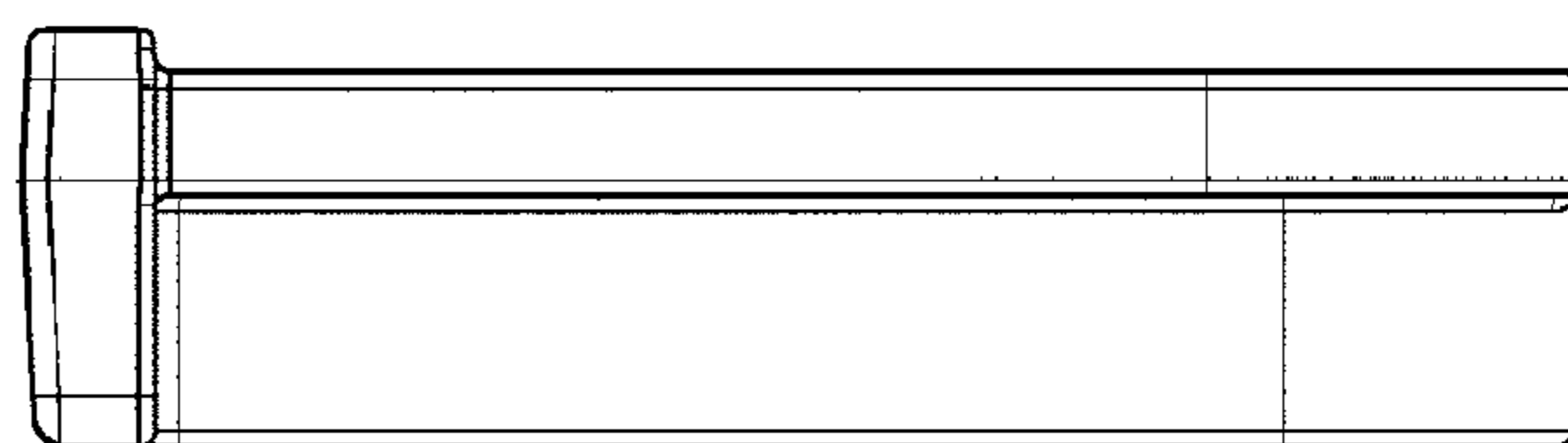


FIG.5

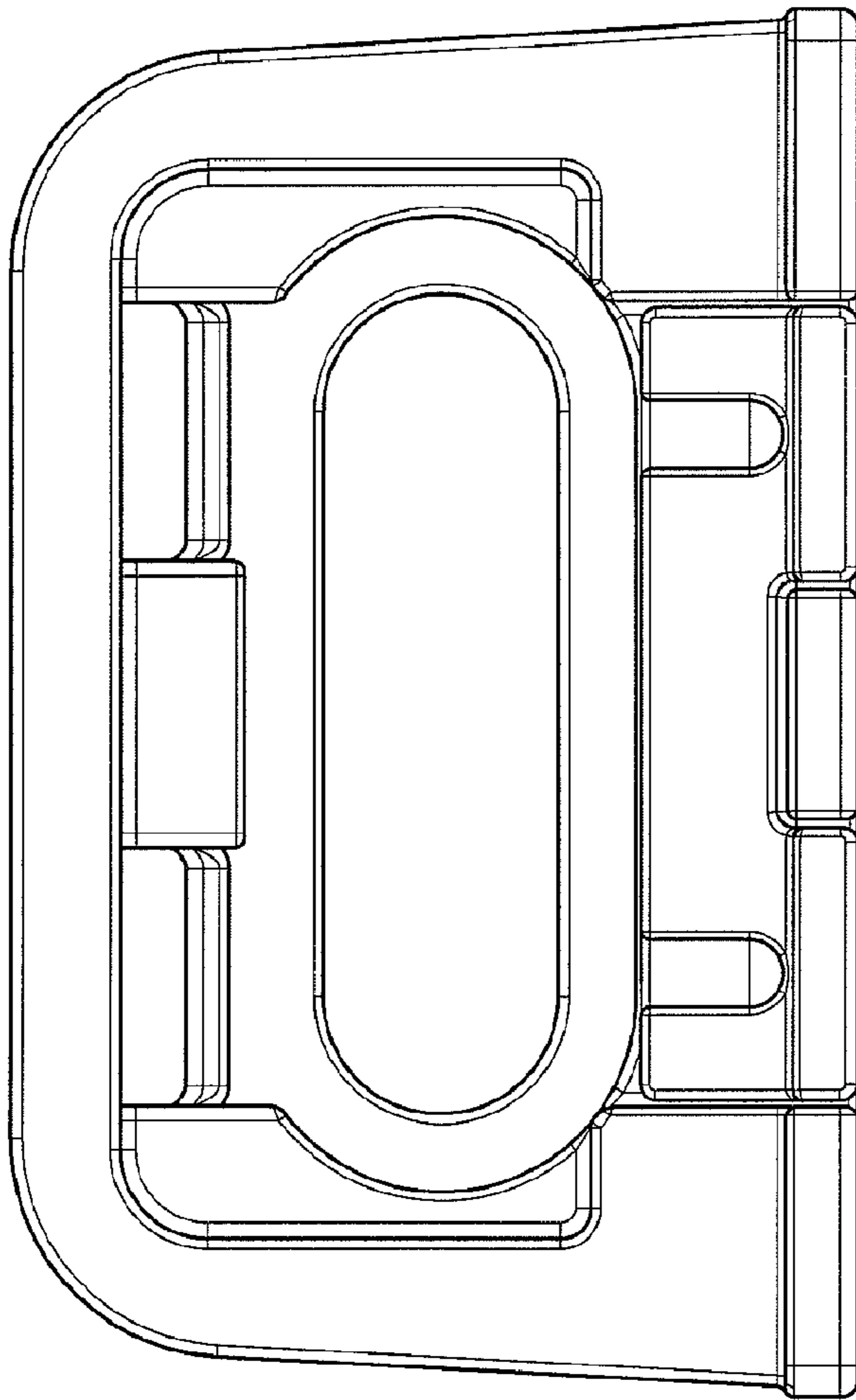


FIG. 6

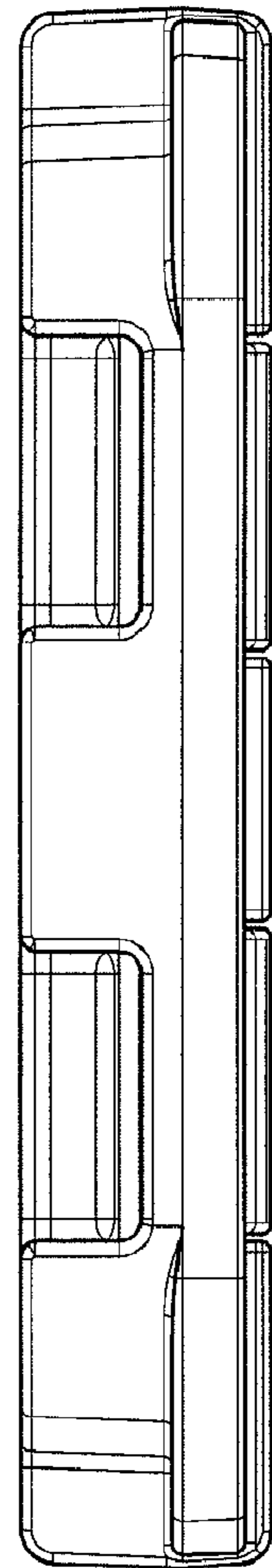


FIG. 7

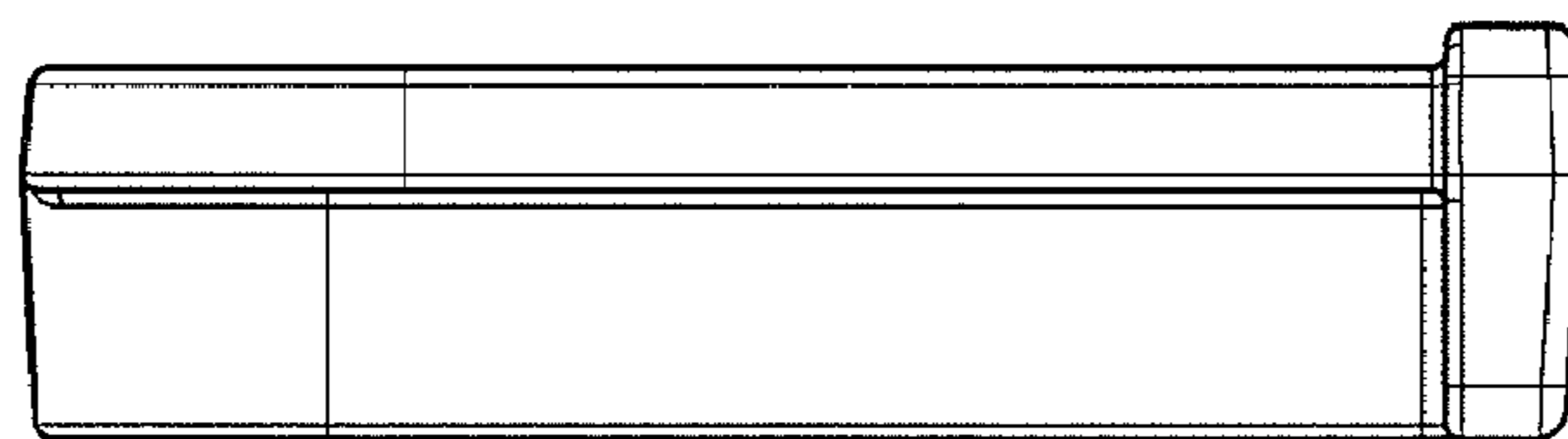


FIG. 8