



US00D627619S

(12) **United States Design Patent**
Demers et al.

(10) **Patent No.:** **US D627,619 S**
(45) **Date of Patent:** **** Nov. 23, 2010**

(54) **TOOL HANDLE**

(75) Inventors: **Brian Joseph Demers**, Huntersville, NC (US); **Joseph Allen Berlepsch**, Mooresville, NC (US)

(73) Assignee: **Lowe's Companies, Inc.**, Mooresville, NC (US)

(**) Term: **14 Years**

(21) Appl. No.: **29/357,506**

(22) Filed: **Mar. 12, 2010**

Related U.S. Application Data

(62) Division of application No. 29/318,755, filed on May 27, 2008, now Pat. No. Des. 615,381, and a division of application No. 29/249,389, filed on Oct. 4, 2006, now Pat. No. Des. 572,558.

(51) **LOC (9) Cl.** **08-05**

(52) **U.S. Cl.** **D8/107; D10/72**

(58) **Field of Classification Search** D8/20-29, D8/55, 61, 93, 98-100, 102-107, 300, 301, D8/303, 307, 310, 312, 319-320, 376-378, D8/400-499; D4/132-138; D7/393, 395, D7/401.1, 401.2, 649, 695; D22/104, 118, D22/207; D24/207; D6/524; D26/154; D9/443; 15/143.1, 159.1, 160, 168, 175, 15/194.1, 192; 81/177.1-177.9, 489, 3.2, 81/436, 439-440, 60-63.2, 477, 479, 52; 16/427, 422, 436, 110.1, 421, 430-431, 429, 16/441, 124.6, 414, 417, DIG. 12, DIG. 18, 16/DIG. 19; 73/862.23; 30/164.5, 151-162; 211/87.01; 428/28; D10/72

See application file for complete search history.

(56) **References Cited**

U.S. PATENT DOCUMENTS

D41,494 S 6/1911 Seeley

D151,860 S 11/1948 Stoyer
D152,155 S 12/1948 Jacoff
D218,009 S 7/1970 Bosack

(Continued)

FOREIGN PATENT DOCUMENTS

EM 000702089-000002 6/2007

(Continued)

Primary Examiner—Cathron C Brooks

Assistant Examiner—Barbara Fox

(74) *Attorney, Agent, or Firm*—Moore & Van Allen PLLC; W. Kevin Ransom

(57) **CLAIM**

The ornamental design for a tool handle, as shown and described.

DESCRIPTION

FIG. 1 is a perspective view of the tool handle according to the present invention;

FIG. 2 is an elevational view of the right side of the tool handle of FIG. 1;

FIG. 3 is an elevational view of the left side of the tool handle of FIG. 1;

FIG. 4 is an elevational view of the rear side of the tool handle of FIG. 1;

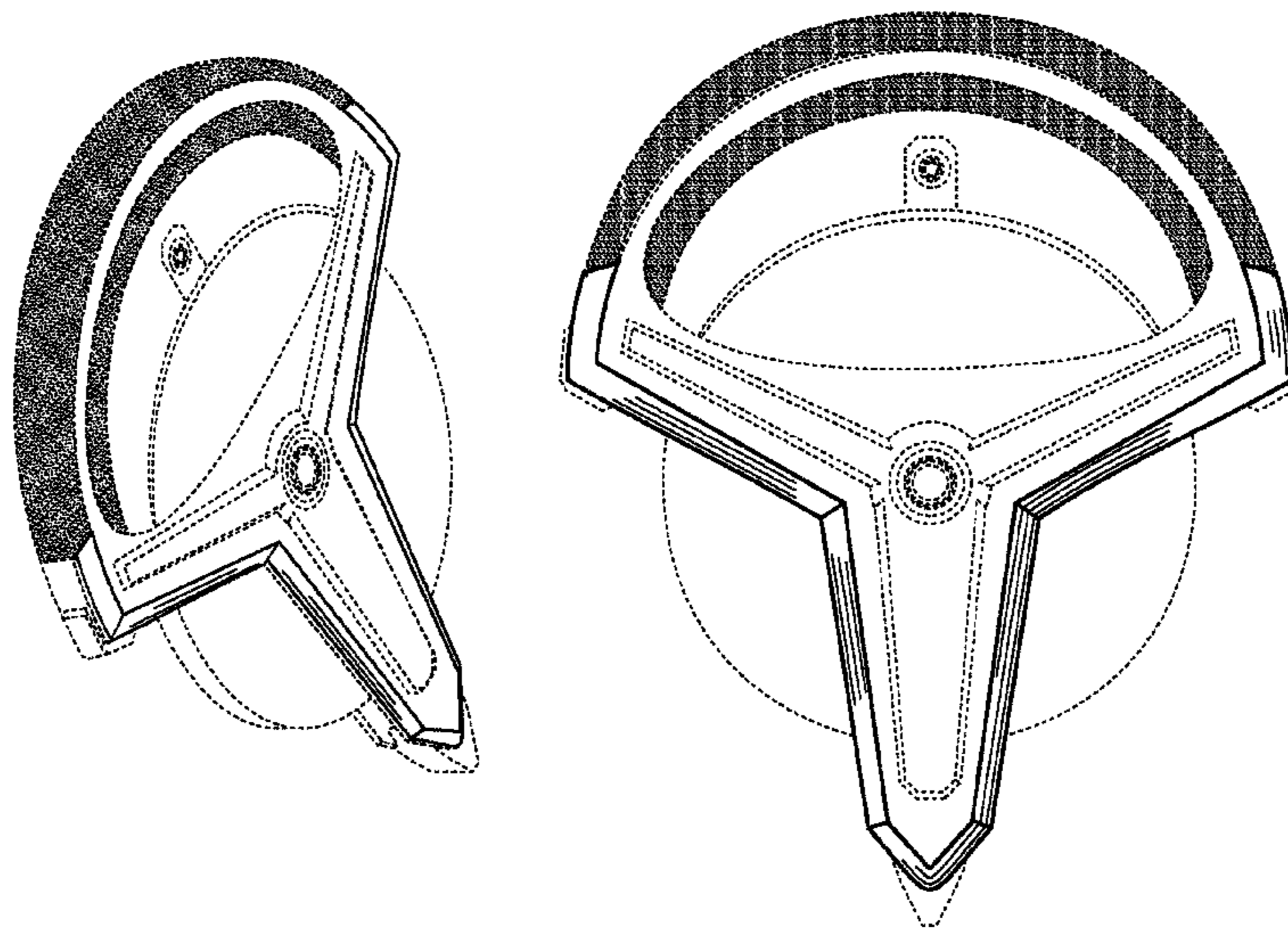
FIG. 5 is a plan view of the top side of the tool handle of FIG. 1;

FIG. 6 is an elevational view of the front side of the tool handle of FIG. 1; and,

FIG. 7 is a plan view of the bottom side of the tool handle of FIG. 1.

The broken lines shown in the drawings are for the purpose of illustrating unclaimed portions of the tool handle and form no part of the claimed design.

1 Claim, 7 Drawing Sheets



US D627,619 S

U.S. PATENT DOCUMENTS

D233,507 S 11/1974 Stevens
 D246,691 S 12/1977 Takahashi
 D271,843 S 12/1983 Ferdinand et al.
 D282,236 S 1/1986 Shohoji et al.
 D288,769 S 3/1987 Doman
 D288,770 S 3/1987 Doman
 D301,967 S 7/1989 Sakamoto et al.
 D310,043 S * 8/1990 Kang D10/72
 D311,697 S * 10/1990 Kang D10/72
 D316,020 S 4/1991 Fushiya et al.
 D322,943 S * 1/1992 Sun D10/72
 D324,346 S * 3/1992 Ogasawara D10/72
 D324,411 S 3/1992 Jolibois
 D325,506 S 4/1992 Michas et al.
 D328,559 S 8/1992 Wilson
 D329,590 S 9/1992 Chapman
 D365,742 S 1/1996 Decursu et al.
 D365,769 S * 1/1996 Kang D10/72
 5,528,834 A 6/1996 Seber et al.
 D377,911 S * 2/1997 Ogasawara D10/72
 D387,734 S 12/1997 Hawkins et al.
 D389,394 S 1/1998 Taylor
 D398,507 S 9/1998 Thompson et al.
 D399,113 S 10/1998 Balolia
 D410,859 S * 6/1999 Hioki D10/72
 D412,273 S 7/1999 Chung
 D416,179 S 11/1999 Staton et al.
 D418,731 S 1/2000 Rowlay et al.
 D422,481 S 4/2000 Bertani
 D424,401 S 5/2000 Ziemer
 D432,381 S 10/2000 Khachatoorian
 6,128,808 A 10/2000 Jansson et al.
 D433,344 S 11/2000 Hsu
 D434,298 S 11/2000 Izumisawa
 D440,848 S 4/2001 Izumisawa
 D441,269 S 5/2001 Tsai
 D441,671 S * 5/2001 Hsu D10/72
 D442,053 S 5/2001 Jimenez
 D446,942 S 8/2001 Kim
 D449,546 S 10/2001 Lee
 6,363,579 B1 4/2002 King, Jr.
 D457,003 S 5/2002 Newman et al.
 D457,448 S * 5/2002 Olson D10/72
 D466,423 S * 12/2002 Kram D10/72
 D468,607 S 1/2003 Price et al.
 D471,784 S 3/2003 Garvis et al.
 D471,976 S 3/2003 Pavlu et al.
 D474,528 S 5/2003 Huang
 D475,269 S 6/2003 Matern
 D475,598 S 6/2003 Hung
 D476,244 S * 6/2003 Lee D10/72
 D478,292 S * 8/2003 Hsu D10/72
 D482,203 S 11/2003 Goulet
 D482,259 S 11/2003 Chen
 D483,634 S 12/2003 Jansson et al.
 D486,050 S 2/2004 Rampen
 D486,716 S 2/2004 Levine et al.
 D487,875 S * 3/2004 Wang D10/72
 D490,680 S 6/2004 Levine et al.
 D491,083 S * 6/2004 Lin D10/72
 6,745,883 B2 6/2004 Eto et al.
 D492,559 S 7/2004 Itano
 D495,226 S 8/2004 Grant et al.
 D503,351 S 3/2005 Chen

D507,195 S 7/2005 Kondo et al.
 D510,247 S 10/2005 White
 D515,389 S 2/2006 Hsu
 D517,888 S 3/2006 DeBoer et al.
 D517,889 S 3/2006 Hsieh
 D519,017 S 4/2006 Hsieh
 D520,856 S 5/2006 Osiecki et al.
 D520,859 S 5/2006 Osiecki et al.
 7,051,626 B1 5/2006 Chen et al.
 D523,234 S 6/2006 DeBoer et al.
 D524,666 S * 7/2006 Huang D10/72
 D527,236 S 8/2006 Wu
 D528,910 S 9/2006 Kingsley
 D529,357 S 10/2006 Qiu
 D530,200 S 10/2006 Kingsley
 D533,455 S 12/2006 Leck et al.
 D536,908 S 2/2007 Eros
 D536,944 S 2/2007 Tsai et al.
 D537,308 S 2/2007 Wang
 D537,676 S 3/2007 Kingsley
 D537,697 S 3/2007 Jimenez
 D538,129 S 3/2007 Jansson
 D543,085 S 5/2007 Aglassinger
 D543,812 S 6/2007 Burry et al.
 D543,828 S 6/2007 Strutin-Belinoff et al.
 D544,770 S 6/2007 Yang
 D547,624 S 7/2007 Strahorn
 7,237,763 B2 * 7/2007 Brown 254/134.7
 D550,058 S 9/2007 Aglassinger
 D556,536 S 12/2007 Aglassinger
 D560,127 S * 1/2008 Elam D10/72
 D562,398 S 2/2008 Qui et al.
 D568,715 S 5/2008 Gustafson et al.
 D571,679 S * 6/2008 McEwan et al. D10/72
 D572,559 S 7/2008 Demers et al.
 D572,561 S 7/2008 Demers et al.
 D572,613 S * 7/2008 Levick et al. D10/72
 D572,614 S 7/2008 McEwan et al.
 D576,853 S 9/2008 Aglassinger
 D578,852 S 10/2008 Enriquez
 D584,116 S 1/2009 Jackson
 D590,225 S 4/2009 Sell
 D591,570 S 5/2009 Lee et al.
 D597,811 S 8/2009 Yu
 2004/0246735 A1 12/2004 Huang
 2006/0090265 A1 5/2006 Fisher et al.
 2007/0040156 A1 * 2/2007 Brown 254/134.3 FT

FOREIGN PATENT DOCUMENTS

JP D1253453 10/2005
 TW 144783 10/1990
 TW 251211 7/1995
 TW 443904 6/1999
 TW 390769 5/2000
 TW 403527 8/2000
 TW 433951 5/2001
 TW 440312 6/2001
 TW 440384 6/2001
 TW 478775 3/2002
 TW 539445 6/2003
 TW 542548 7/2003
 TW D106099 8/2005
 TW D110289 4/2006

* cited by examiner

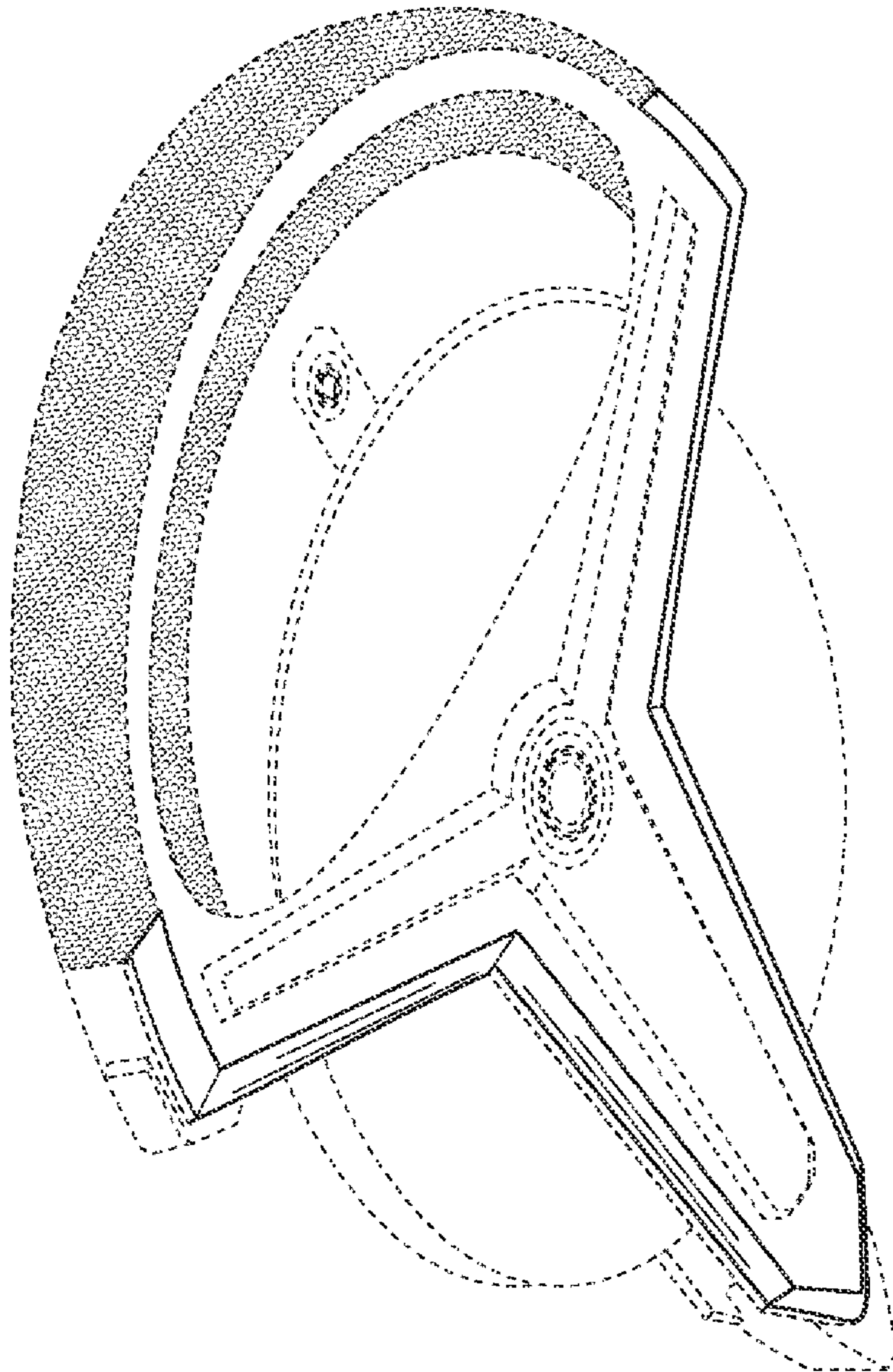


FIG. 1

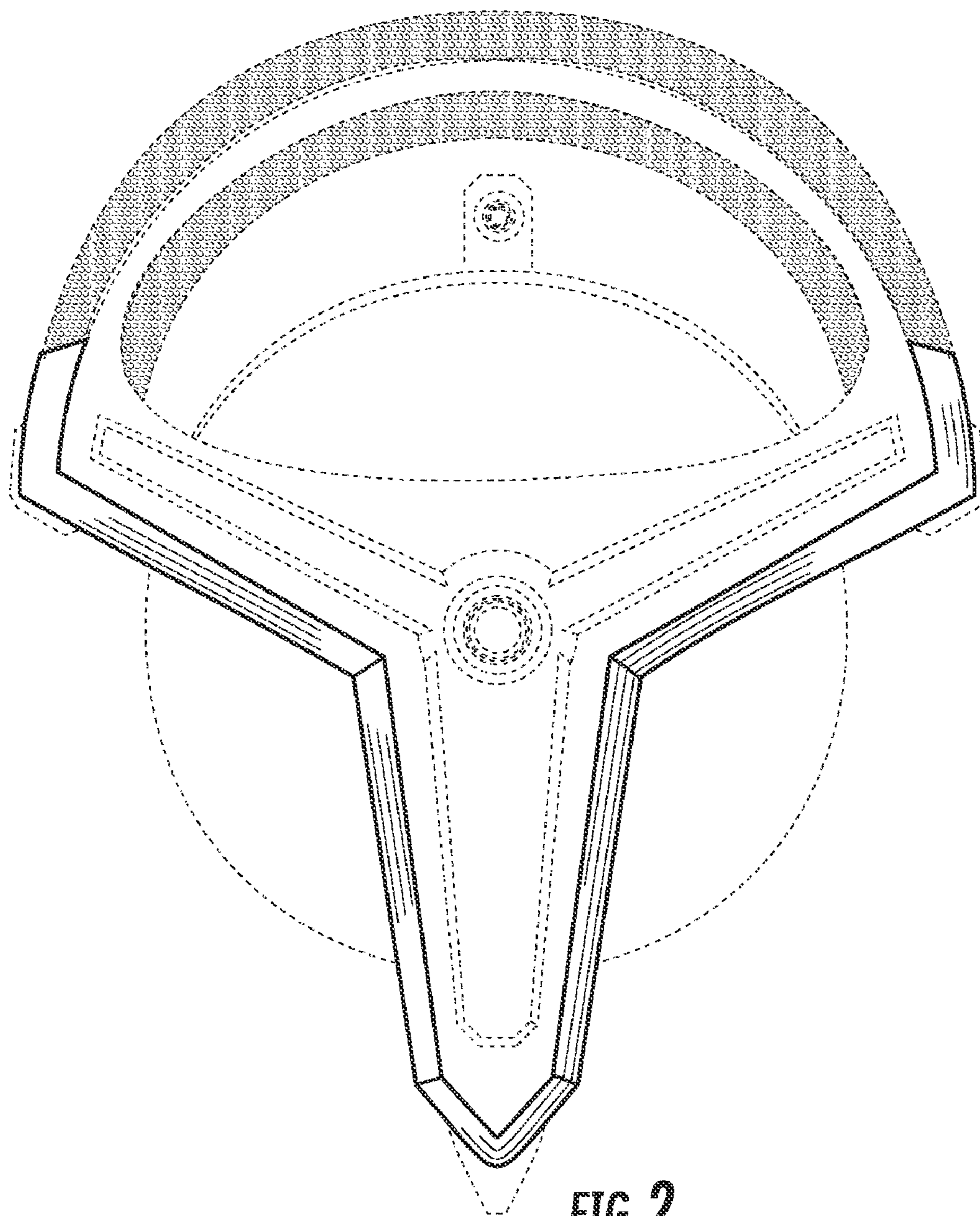


FIG. 2

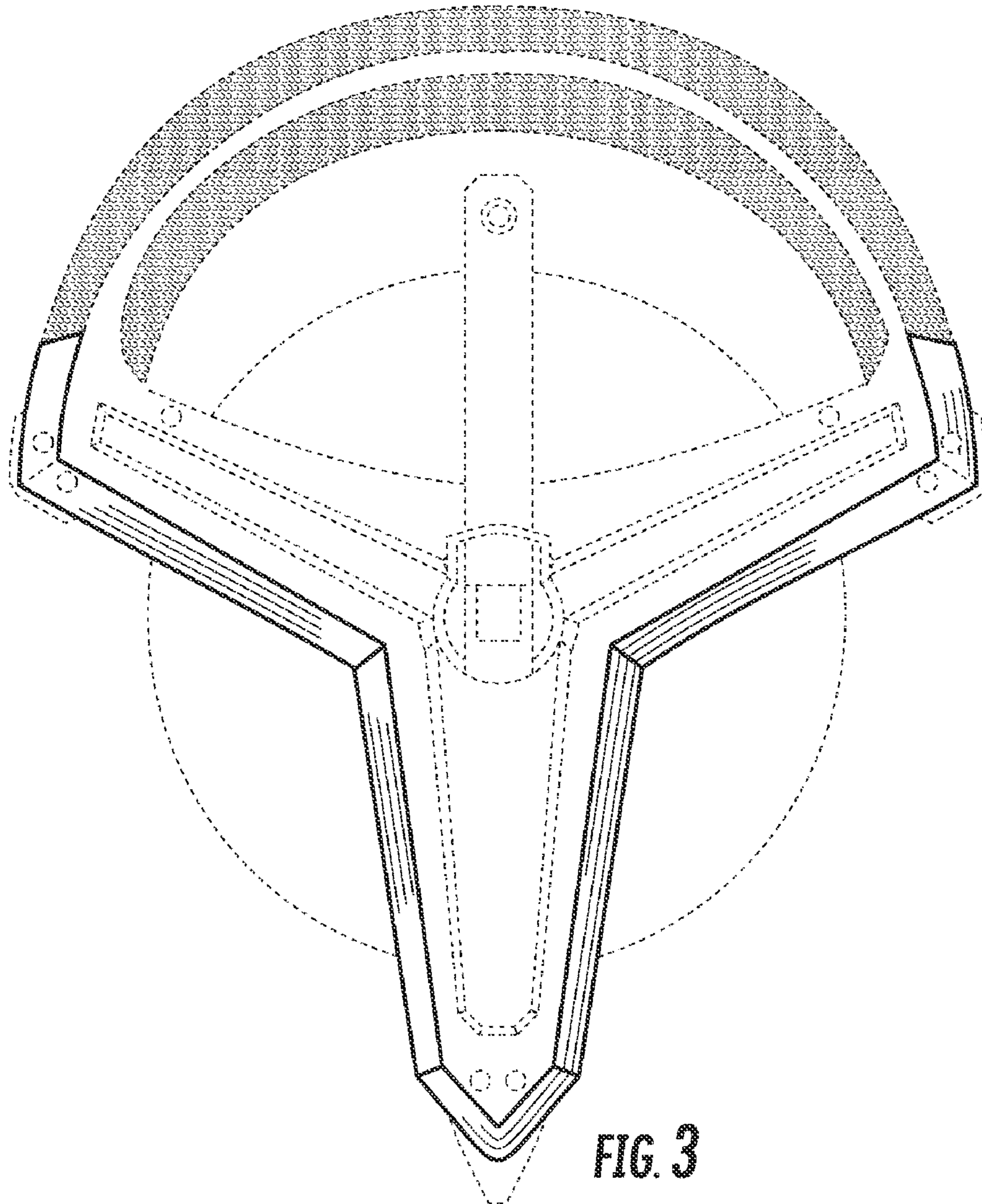


FIG. 3

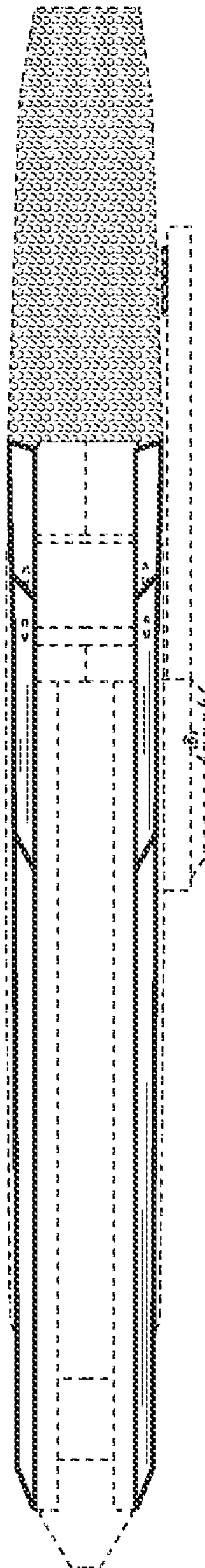


FIG. 4

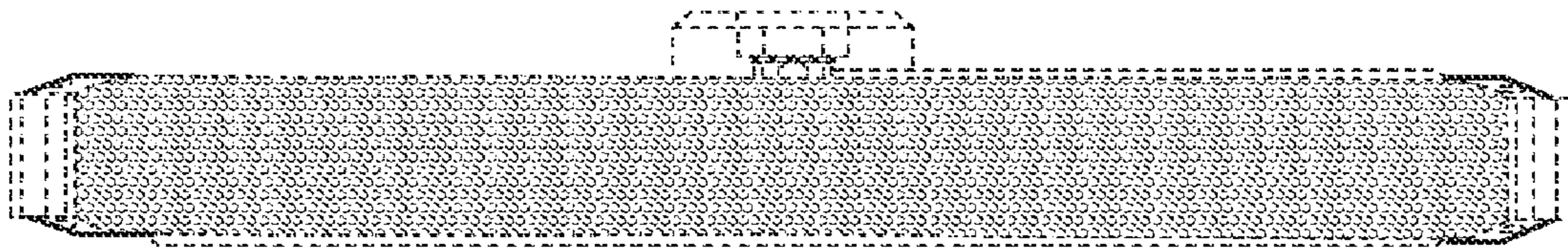


FIG. 5

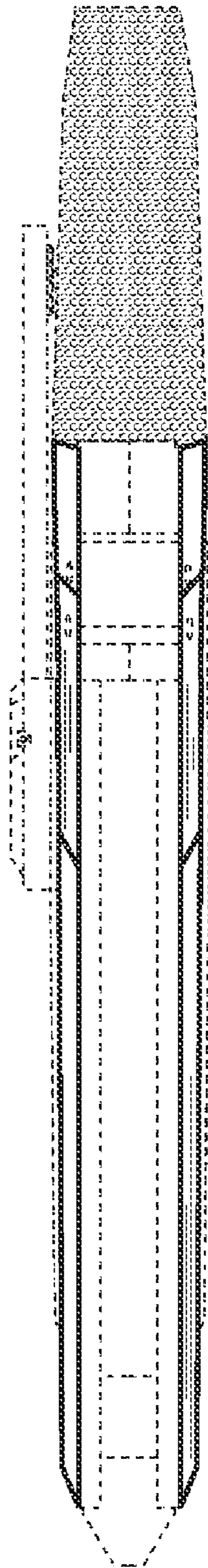


FIG. 6

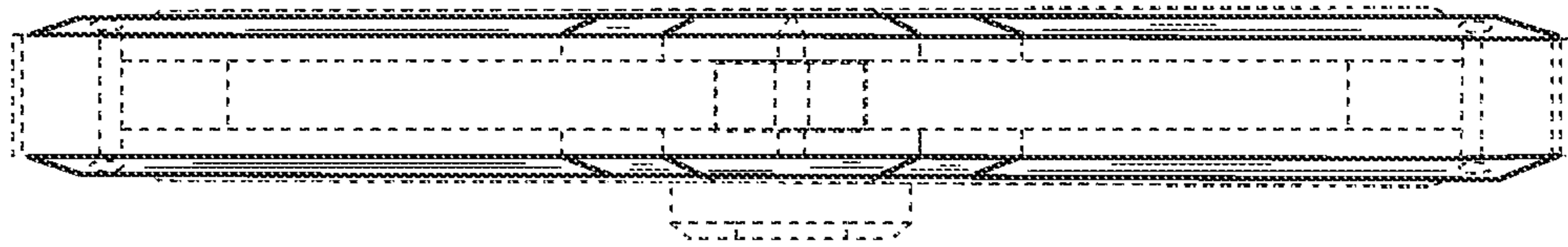


FIG. 7