



US00D627618S

(12) **United States Design Patent**  
**MacNair et al.**

(10) **Patent No.:** **US D627,618 S**

(45) **Date of Patent:** **\*\* Nov. 23, 2010**

(54) **KNIFE HANDLE**

(75) Inventors: **James MacNair**, Post Falls, ID (US);  
**Eric P. Linn**, Post Falls, ID (US)

(73) Assignee: **Buck Knives, Inc.**, Post Falls, ID (US)

(\*\*) Term: **14 Years**

(21) Appl. No.: **29/337,839**

(22) Filed: **May 29, 2009**

(51) **LOC (9) Cl.** ..... **08-05**

(52) **U.S. Cl.** ..... **D8/107**

(58) **Field of Classification Search** ..... D8/95-99,  
D8/107, 303; D7/652, 649, 401.2; D22/117-120;  
30/151, 155, 161, 295, 340, 342-345  
See application file for complete search history.

(56) **References Cited**

**U.S. PATENT DOCUMENTS**

D230,562 S *	3/1974	Fellows	.....	D8/99
D272,513 S *	2/1984	Kagebayashi	.....	D8/99
D310,014 S *	8/1990	Inman	.....	D8/99
D402,524 S *	12/1998	Glesser	.....	D8/99
D407,004 S *	3/1999	Hull et al.	.....	D8/99
D527,243 S *	8/2006	Holby	.....	D8/107
D594,309 S *	6/2009	Sugiura et al.	.....	D8/99
D600,992 S *	9/2009	MacNair et al.	.....	D8/99
D610,896 S *	3/2010	Linn	.....	D8/107

D613,145 S *	4/2010	Yang-Fu	.....	D8/99
D613,575 S *	4/2010	Linn	.....	D8/107
2008/0083118 A1 *	4/2008	Steigerwalt et al.	.....	30/160

\* cited by examiner

*Primary Examiner*—Cathron C Brooks

*Assistant Examiner*—Barbara Fox

(74) *Attorney, Agent, or Firm*—Townsend and Townsend and Crew LLP

(57) **CLAIM**

The ornamental design for knife handle, as shown and described.

**DESCRIPTION**

FIG. 1 is a left side perspective view of a knife handle showing my new design;

FIG. 2 is a left side elevational view thereof.

FIG. 3 is a right side elevational view thereof;

FIG. 4 is a bottom plan view thereof;

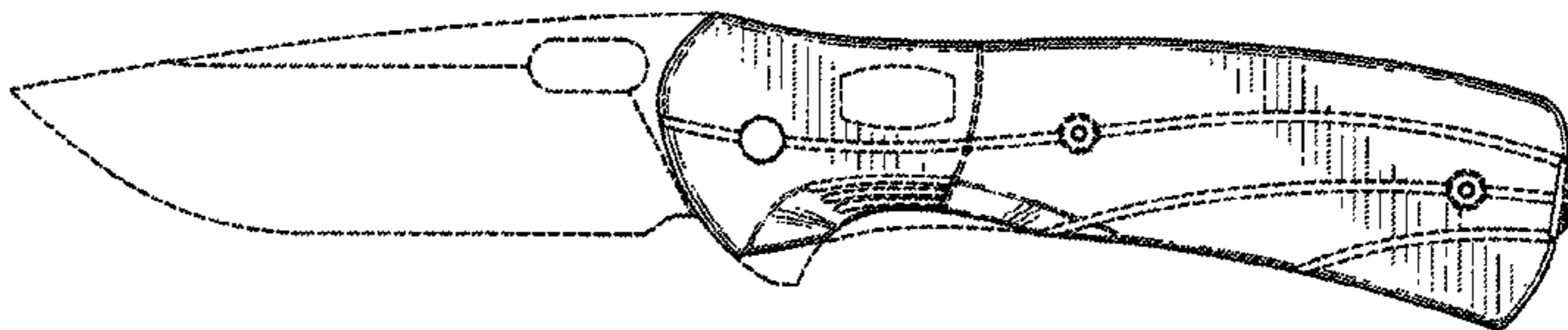
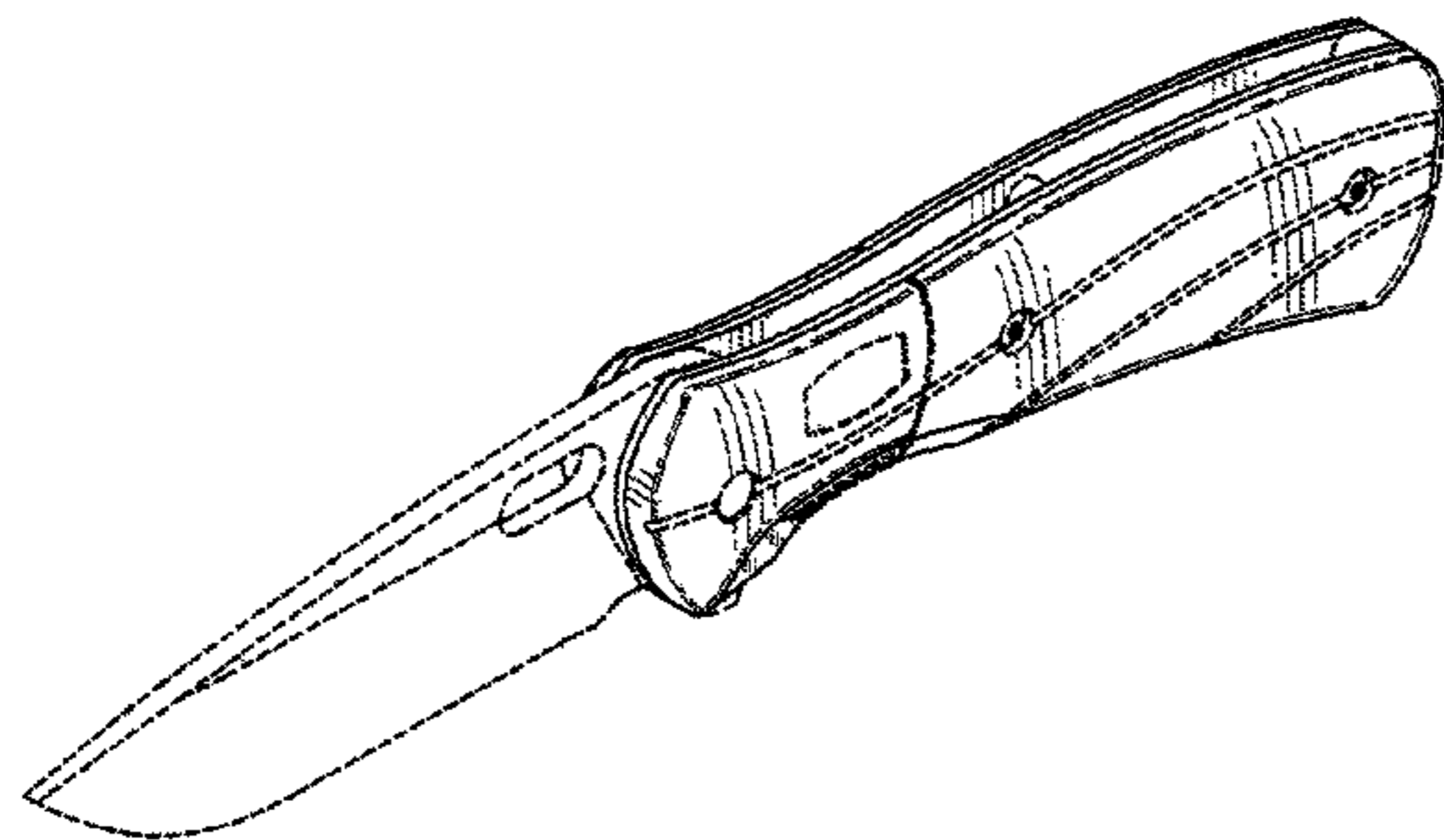
FIG. 5 is a top plan view thereof;

FIG. 6 is a front elevational view thereof; and,

FIG. 7 is a rear elevational view thereof.

The broken lines shown in the drawings represent unclaimed portions of the design and environmental structure and form no part of the claimed design.

**1 Claim, 4 Drawing Sheets**



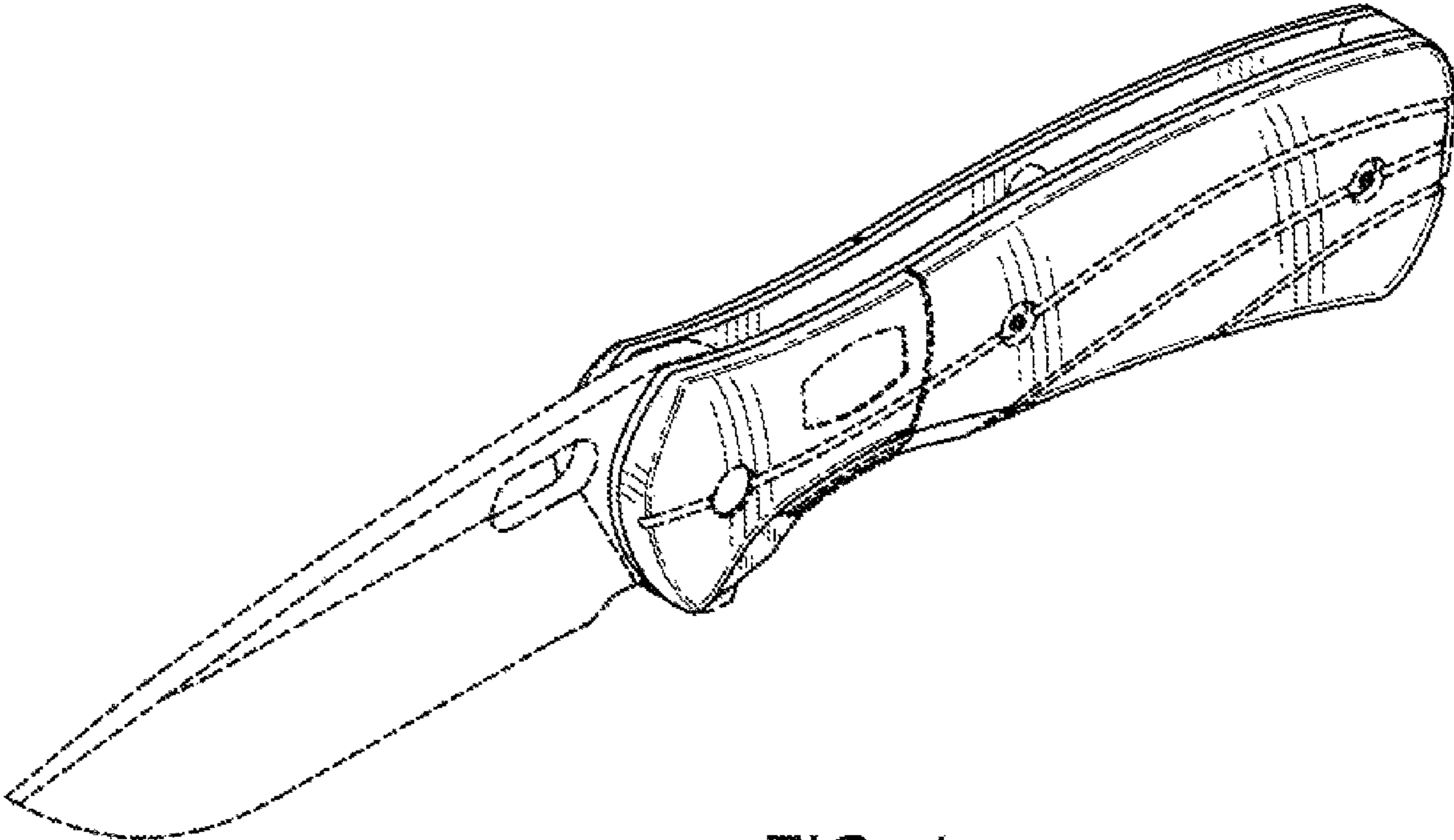


FIG. 1

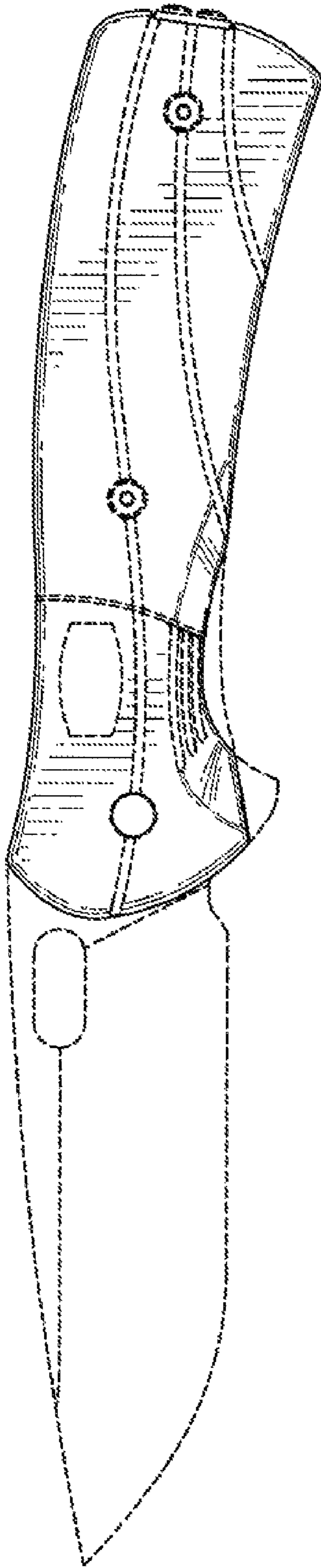


FIG. 2

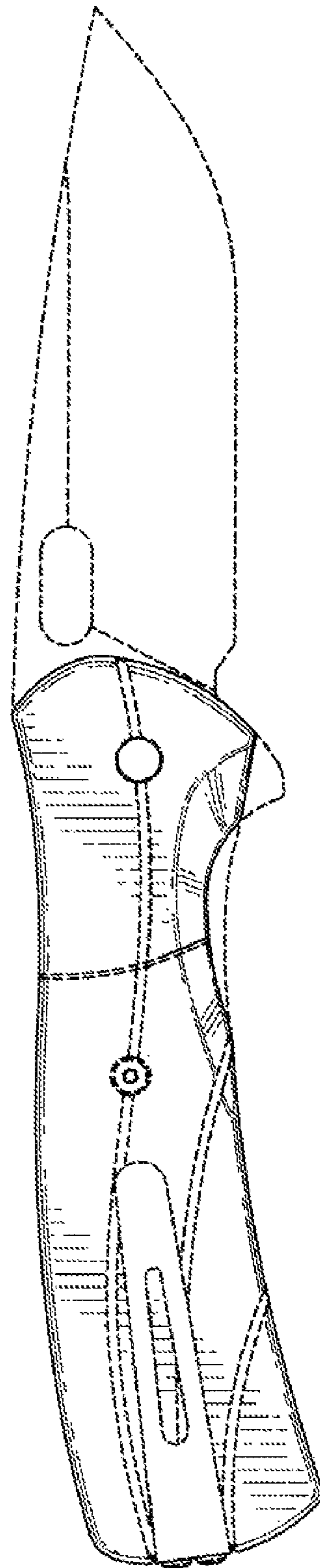


FIG. 3

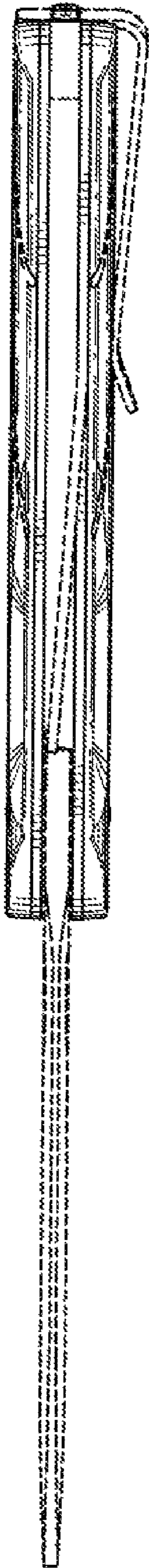


FIG. 4

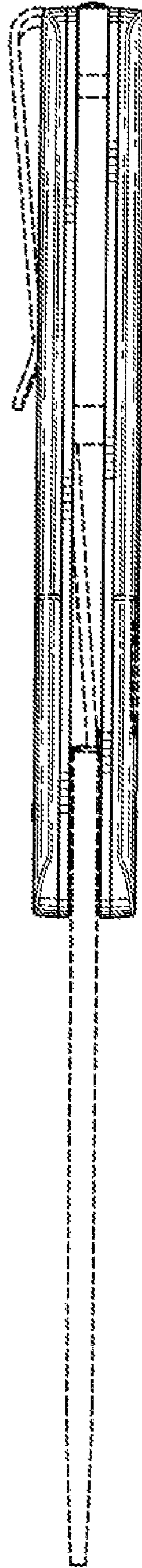


FIG. 5

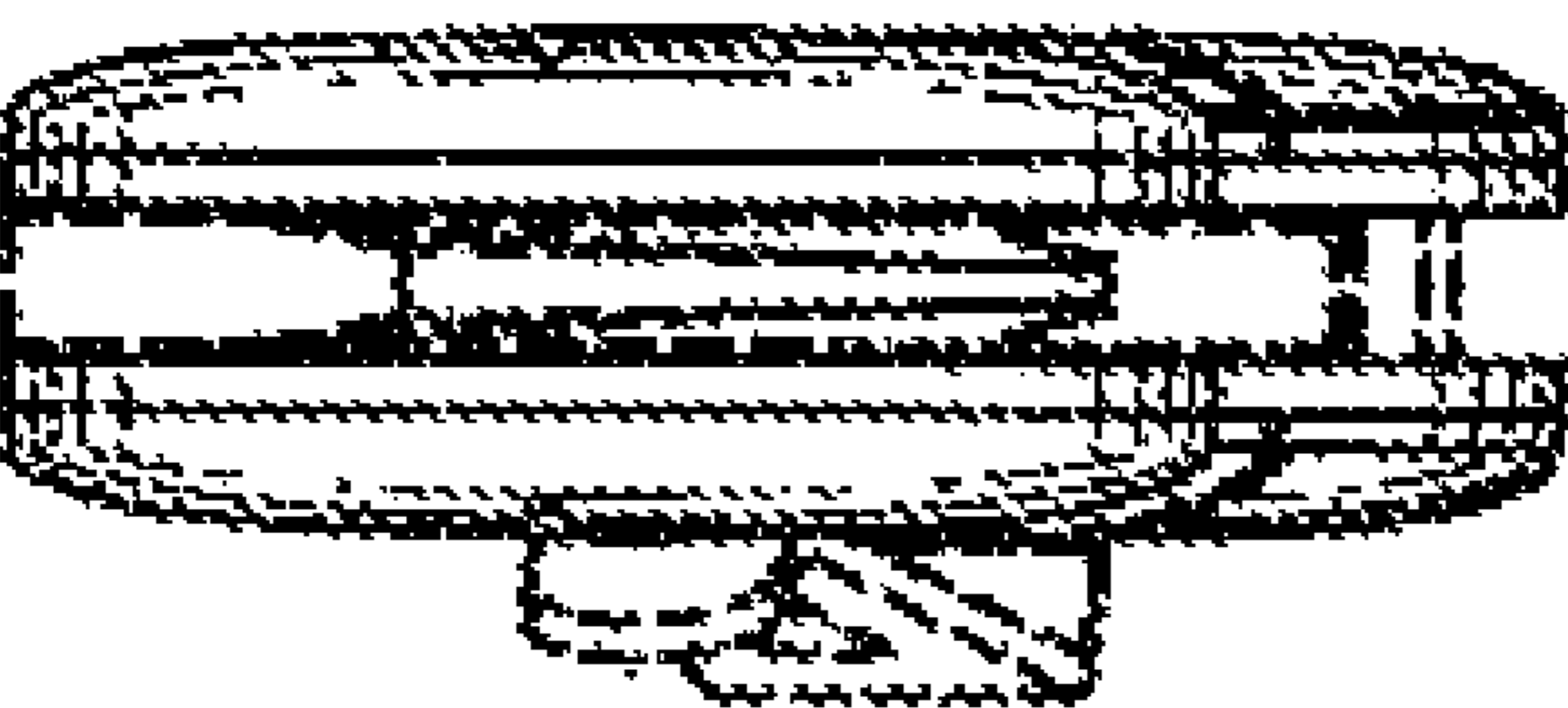
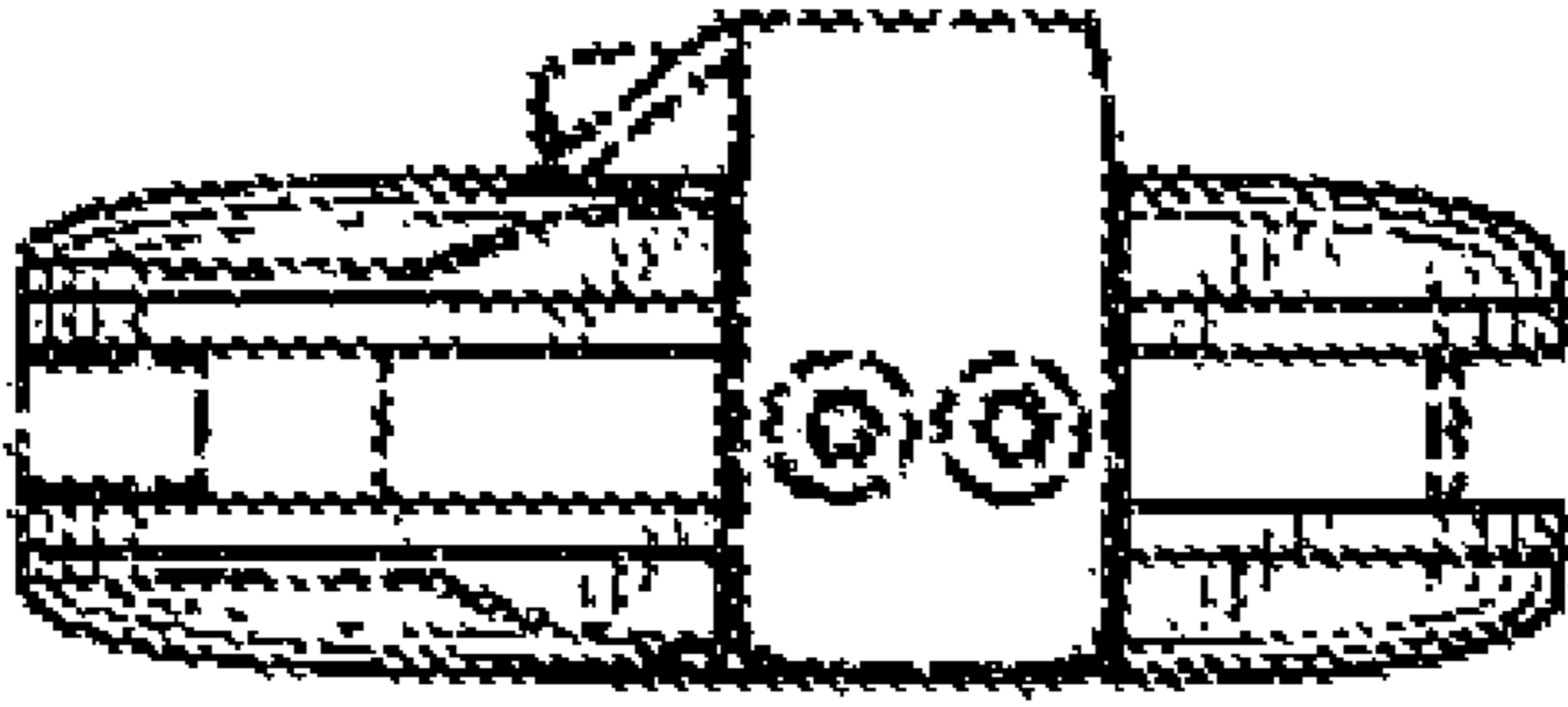


FIG. 7

FIG. 6