



US00D627617S

(12) **United States Design Patent
Chambers**

(10) **Patent No.:** **US D627,617 S**

(45) **Date of Patent:** **** Nov. 23, 2010**

(54) **COMBINATION HAND TOOL BAR**

(75) Inventor: **Daniel Chambers**, Bushnell, IL (US)

(73) Assignee: **Vaughan & Bushnell Manufacturing Company**, Hebron, IL (US)

(**) Term: **14 Years**

(21) Appl. No.: **29/362,509**

(22) Filed: **May 26, 2010**

(51) **LOC (9) Cl.** **08-05**

(52) **U.S. Cl.** **D8/89**

(58) **Field of Classification Search** D8/16,
D8/26, 81, 88-89, 105; 7/146-147, 166;
254/18-19, 21-22, 25, 121, 131

See application file for complete search history.

(56) **References Cited**

U.S. PATENT DOCUMENTS

D47,263	S	*	4/1915	Ladd	D8/89
1,221,323	A		4/1917	Hill		
1,445,263	A		2/1923	Asper		
1,486,820	A		3/1924	Wilder		
1,613,729	A	*	1/1927	Shearwood	7/147
1,890,273	A		12/1932	Wells		
2,525,226	A	*	10/1950	Lawellin	254/25
2,896,910	A		7/1959	Cooper et al.		
D197,205	S	*	12/1963	Estwing	D8/89
3,134,574	A	*	5/1964	Reuterfors	254/25
3,680,834	A		8/1972	Holloway		
D386,057	S	*	11/1997	Hreha	D8/89
5,695,172	A	*	12/1997	Hreha	254/25
D444,690	S	*	7/2001	Bond	D8/89
6,629,684	B2		10/2003	Youngren		
D493,086	S	*	7/2004	Taylor et al.	D8/89
7,185,879	B1	*	3/2007	Lejuez	254/25
D591,134	S	*	4/2009	Darbinyan	D8/89
D593,836	S	*	6/2009	Lindskog	D8/89
D596,913	S	*	7/2009	Anderson et al.	D8/89

2005/0062026	A1	*	3/2005	Holcomb	254/25
2007/0114501	A1		5/2007	Eby et al.		
2008/0217592	A1		9/2008	Chambers		

OTHER PUBLICATIONS

AJC Mighty Bar. Downloaded at www.ajctools.com Jul. 15, 2010.*
Hook Bar. Downloaded at http://directory.constructiondistribution.com/product/10145558/Vaughan_Bushnell_Mfg_Co_Hoo... on Jul. 13, 2010.*

* cited by examiner

Primary Examiner—Philip S Hyder
Assistant Examiner—Roselyne Cody

(74) *Attorney, Agent, or Firm*—Lackenbach Siegel, LLP;
Andrew F. Young

(57) **CLAIM**

The ornamental design for a combination hand tool bar, as shown and described.

DESCRIPTION

This application relates to and claims priority from U.S. application Ser. No. 12/042,598 filed Mar. 5, 2008, the entire contents of which are herein fully incorporated by reference.

FIG. 1 is a front perspective view of a combination hand tool bar of the present invention.

FIG. 2 is a front side elevation view of a combination hand tool bar of the present invention.

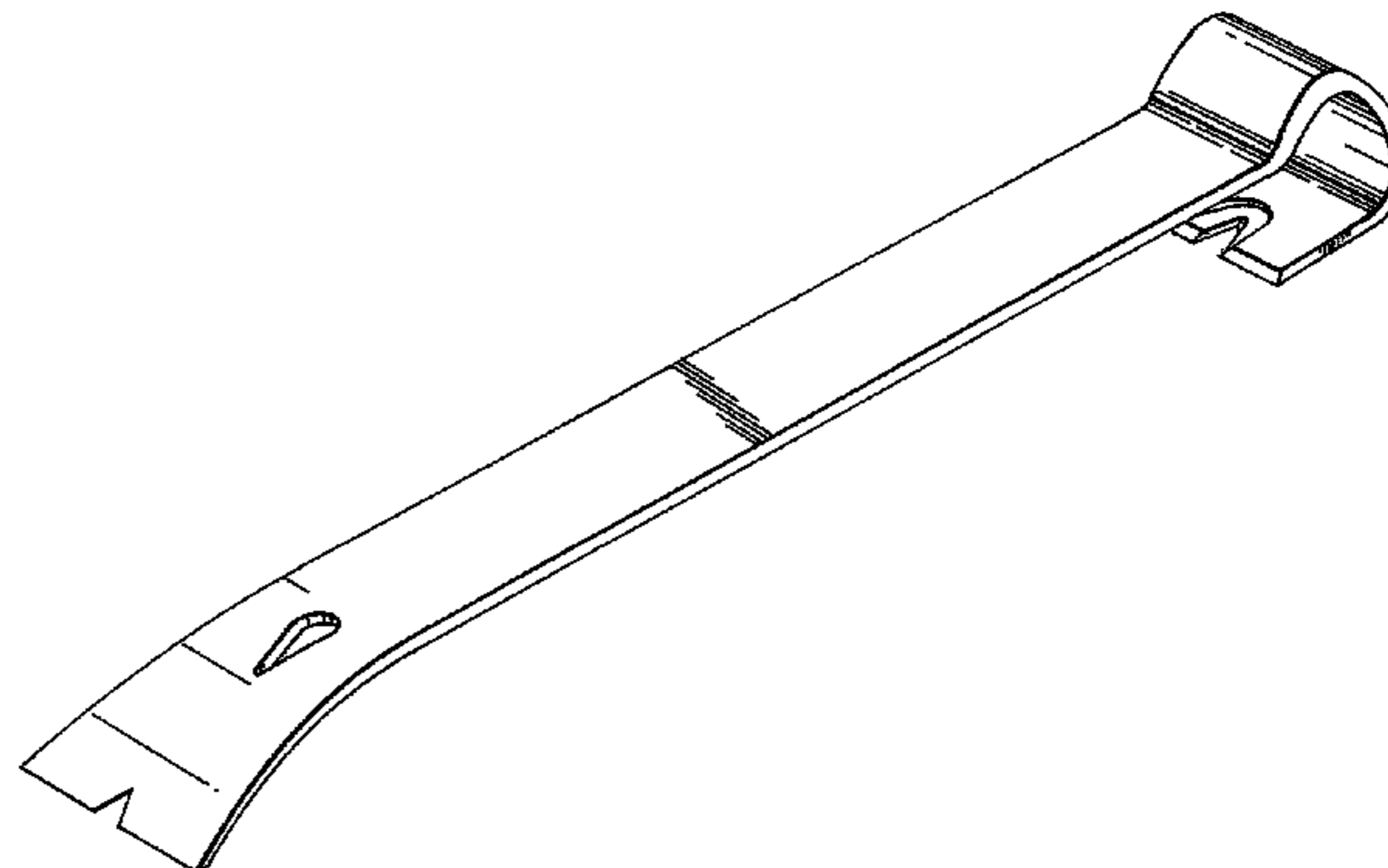
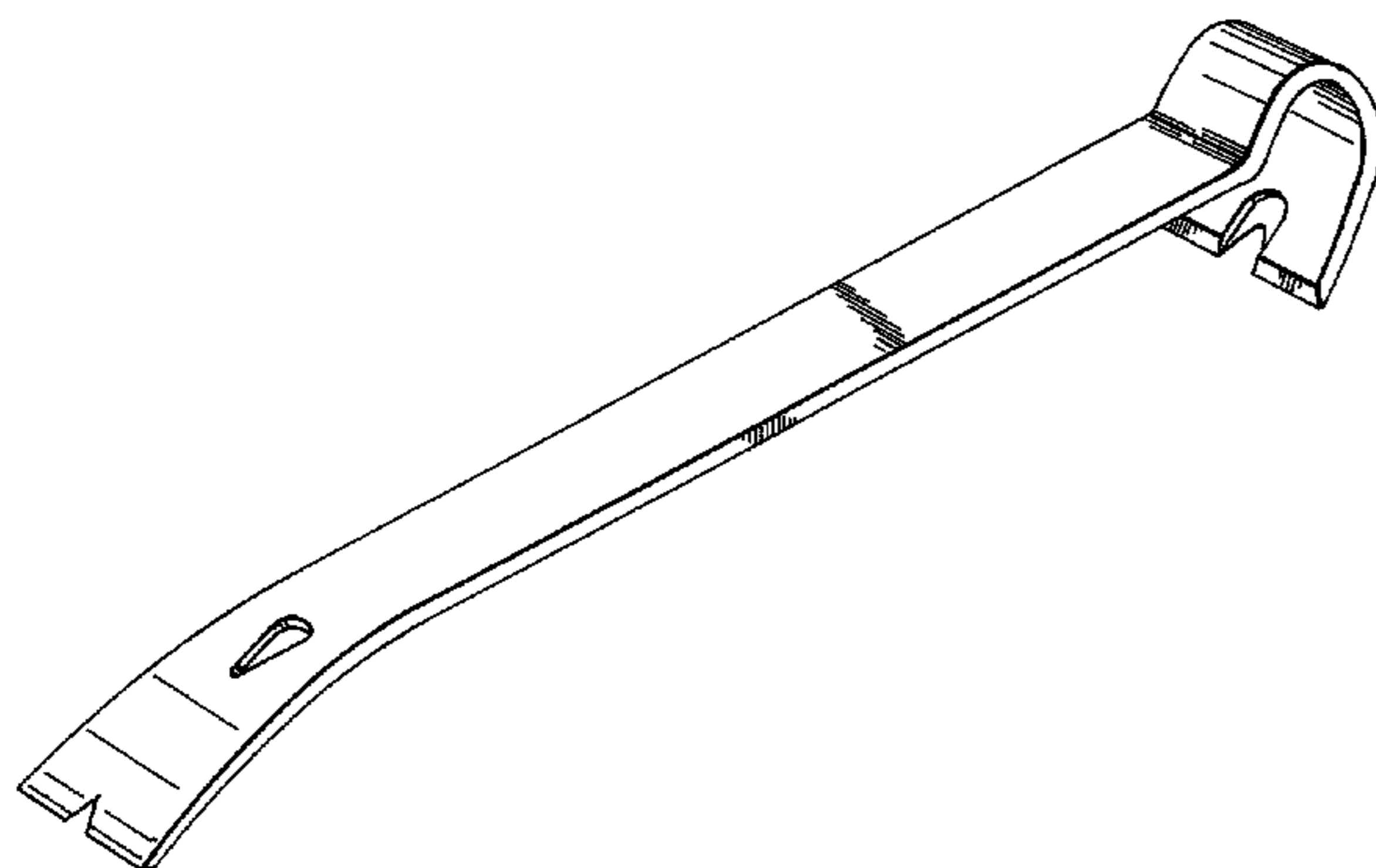
FIG. 3 is a rear side elevation view of a combination hand tool bar in FIG. 2

FIG. 4 is a front perspective view of a combination hand tool bar of the present invention in a related embodiment.

FIG. 5 is a front side elevation view of a combination hand tool bar of the present invention; and,

FIG. 6 is a rear side elevation view of a combination hand tool bar in FIG. 5.

1 Claim, 4 Drawing Sheets



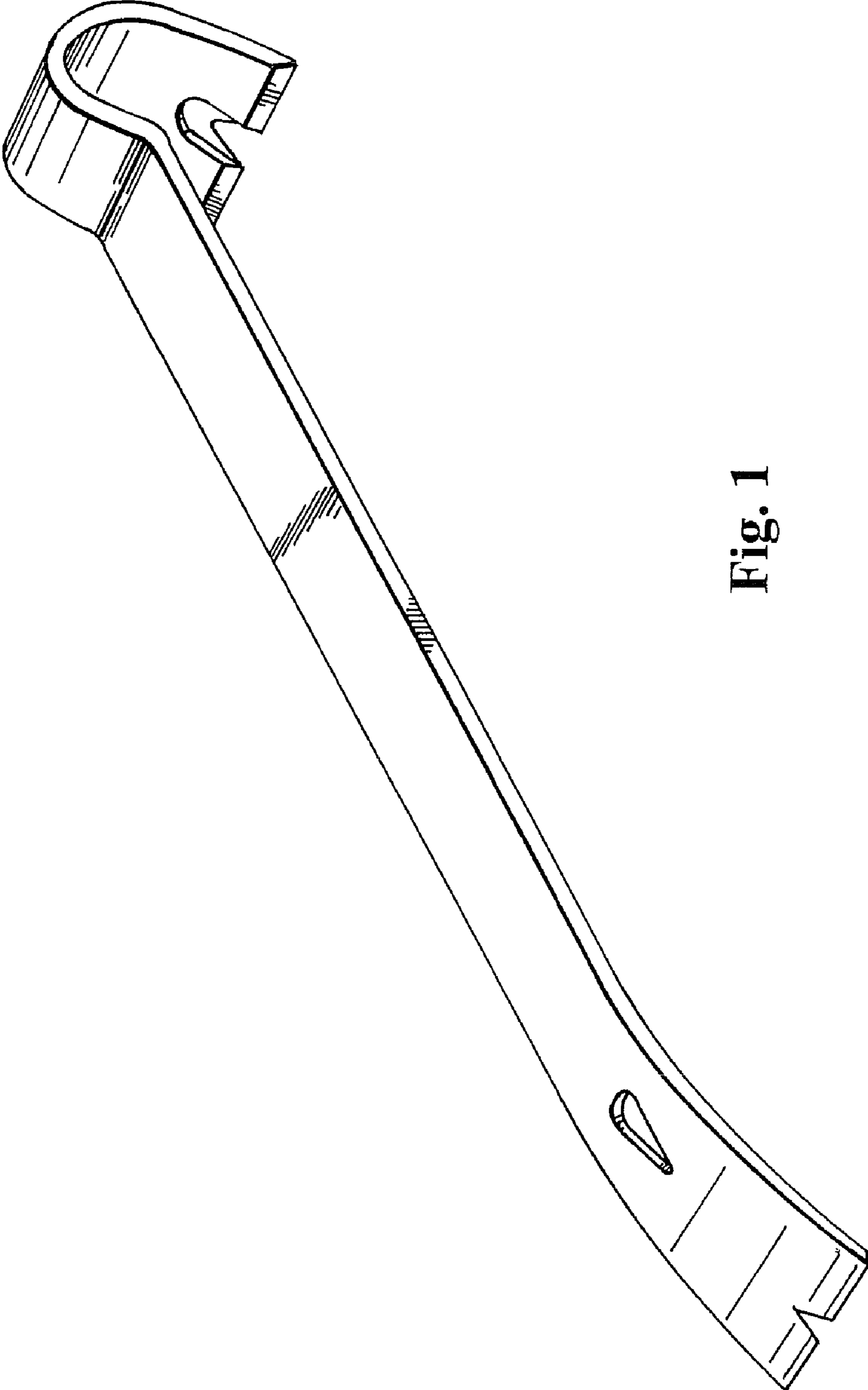


Fig. 1

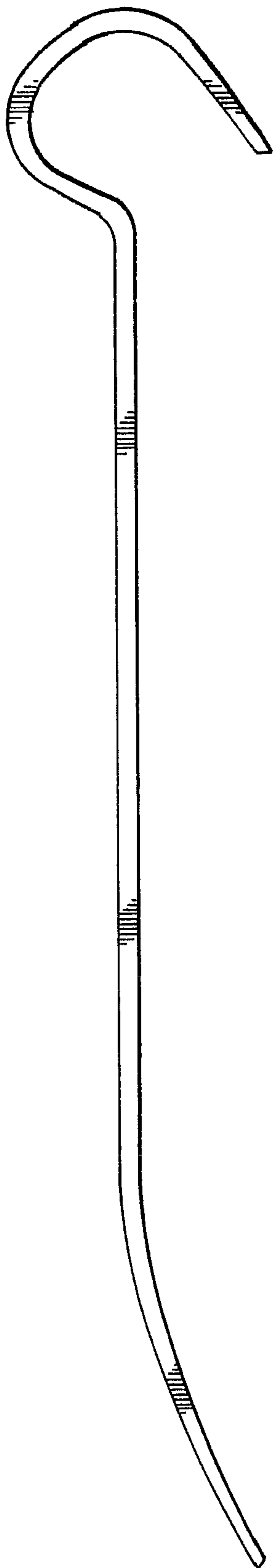


Fig. 2

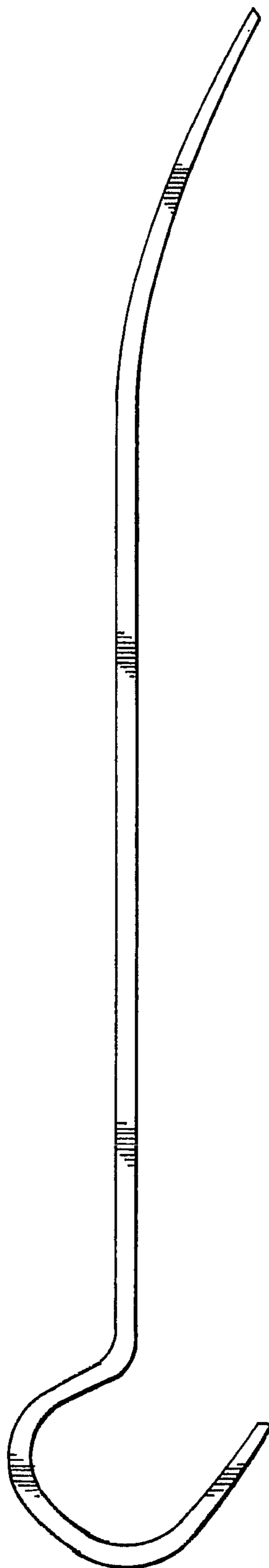


Fig. 3

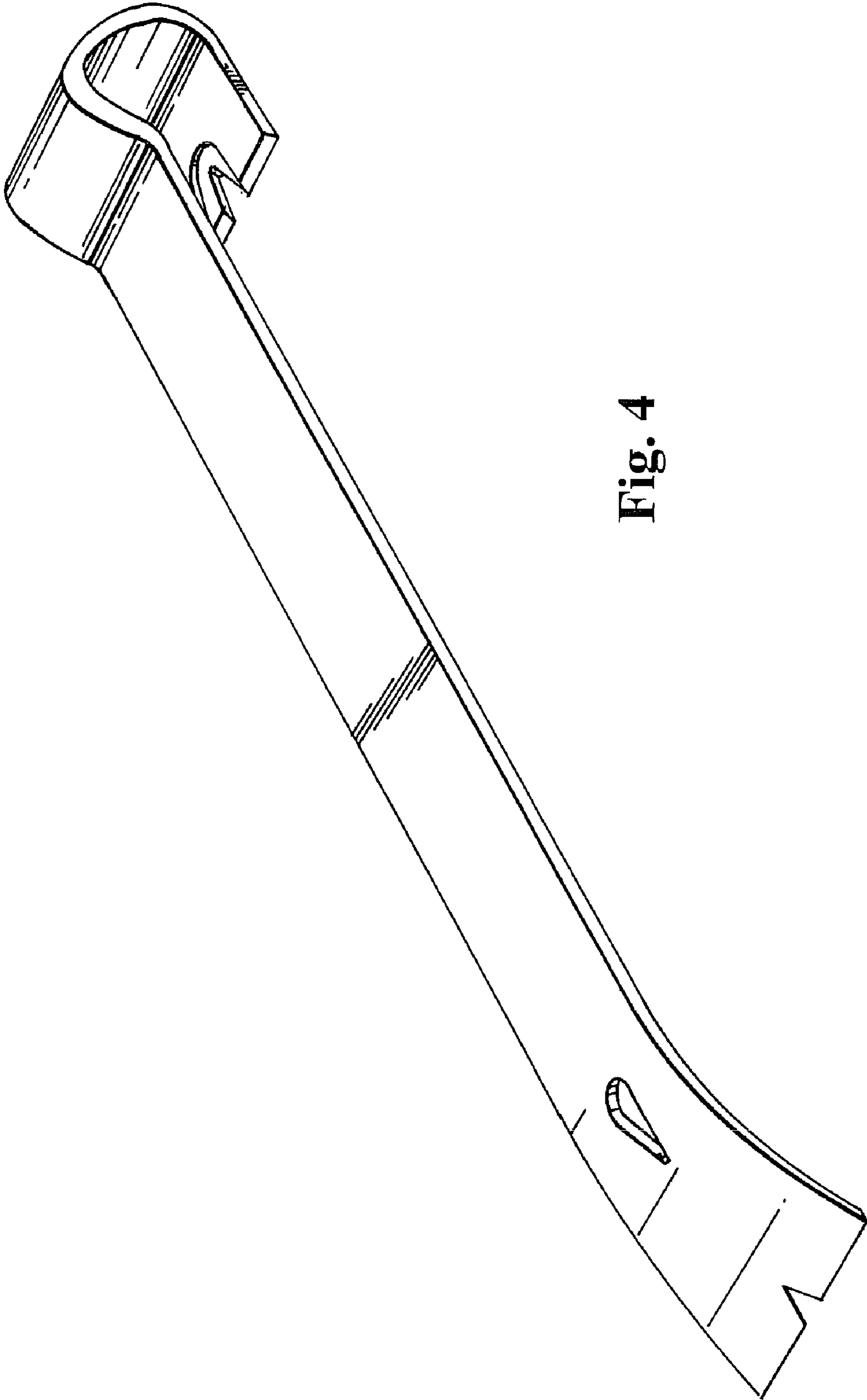


Fig. 4

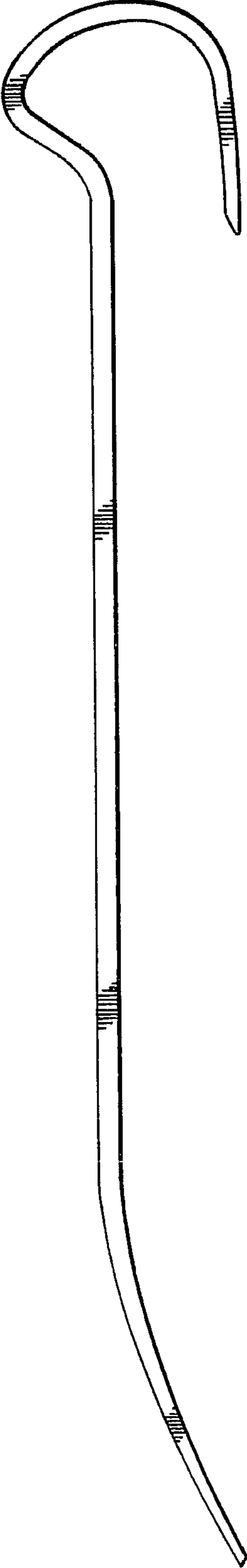


Fig. 5

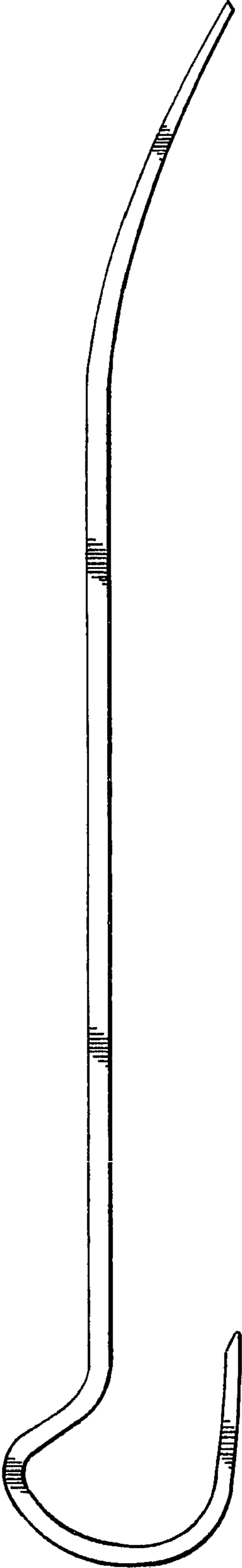


Fig. 6