



US00D627615S

(12) **United States Design Patent**
Kushner et al.

(10) **Patent No.:** **US D627,615 S**

(45) **Date of Patent:** **** Nov. 23, 2010**

(54) **GEAR CORKSCREW**

(75) Inventors: **Robert Gerald Kushner**, Flat G, Block G, Merry Terrace, 4 Seymour Road, Mid-Levels (HK); **Oliver Breit**, Mid Levels Central (HK); **Mak Shek Fung**, Mongkok (HK)

(73) Assignee: **Robert Gerald Kushner**, Wan Chai (HK)

(**) Term: **14 Years**

(21) Appl. No.: **29/314,513**

(22) Filed: **Apr. 7, 2009**

(51) **LOC (9) Cl.** **07-06**

(52) **U.S. Cl.** **D8/42**

(58) **Field of Classification Search** D8/14,
D8/18, 33-43; 7/151-156; 81/3.07, 3.09,
81/3.2, 3.27, 3.29, 3.35, 3.37, 3.4, 3.45, 3.48,
81/3.49, 3.55

See application file for complete search history.

(56) **References Cited**

U.S. PATENT DOCUMENTS

D288,521 S *	3/1987	Van Asten	D8/42
D404,987 S *	2/1999	Larimer	D8/38
D421,701 S *	3/2000	Hollinger	D8/42
D503,876 S *	4/2005	Lin	D8/42
D521,828 S *	5/2006	Overthun et al.	D8/42
D558,545 S *	1/2008	Chan et al.	D8/42

D558,546 S *	1/2008	Chan et al.	D8/42
D582,231 S *	12/2008	Caroca	D8/42
2004/0231465 A1 *	11/2004	Yu	81/3.29

* cited by examiner

Primary Examiner—Garth Rademaker

(74) *Attorney, Agent, or Firm*—Stuart Whittington, Esq

(57) **CLAIM**

The ornamental design for a gear corkscrew, as shown and described.

DESCRIPTION

FIG. 1 is a front, side and top view of a gear corkscrew showing our new design;

FIG. 2 is a front view thereof;

FIG. 3 is a back view thereof, shown in a second position of use;

FIG. 4 is a back view thereof, shown in a third position of use;

FIG. 5 is a back view thereof, shown in the same position as in FIG. 1;

FIG. 6 is a right side view thereof;

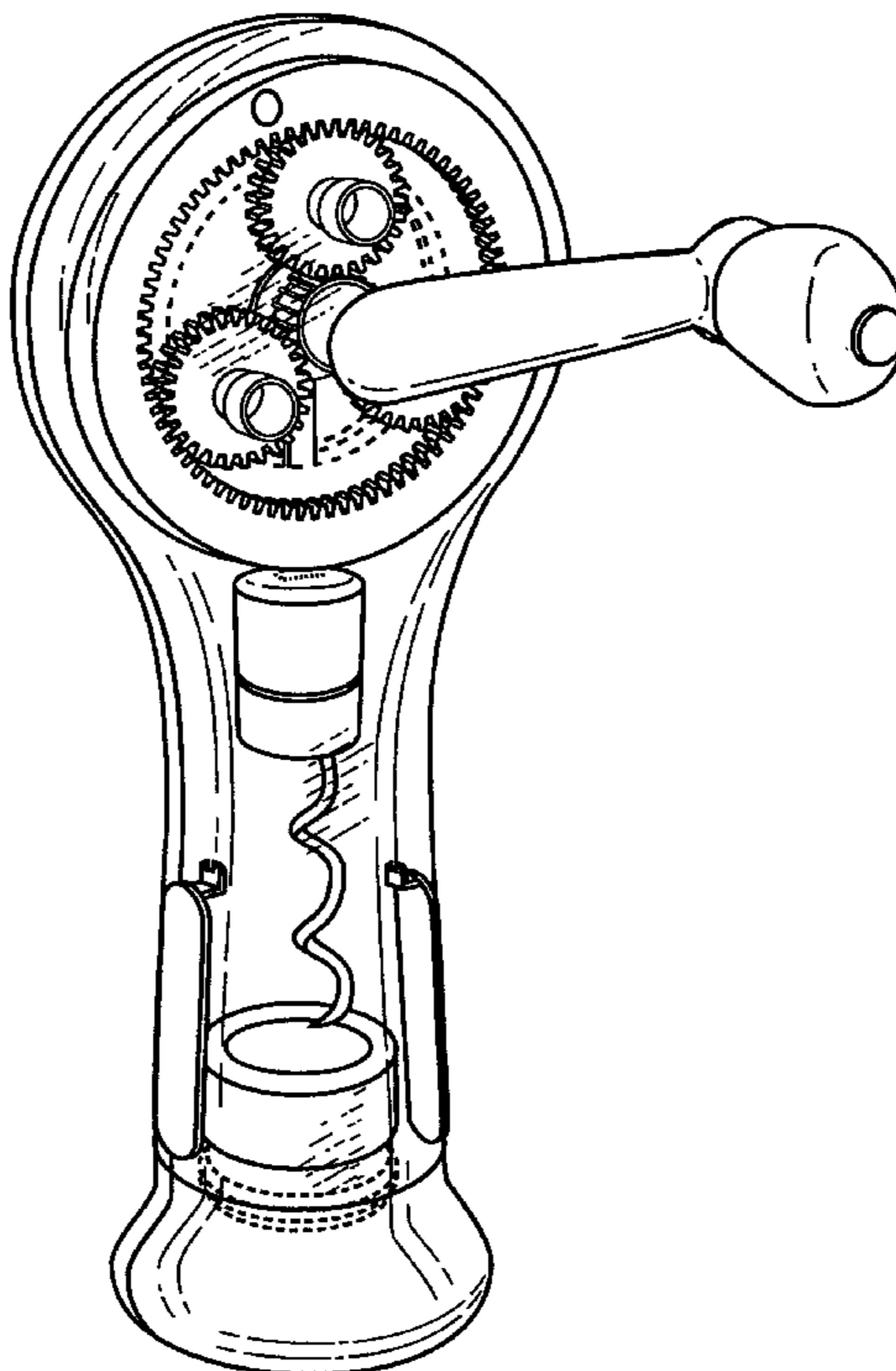
FIG. 7 is a left side view thereof;

FIG. 8 is a bottom view thereof; and,

FIG. 9 is a top view thereof.

The broken lines throughout the views form no part of the claimed design.

1 Claim, 6 Drawing Sheets



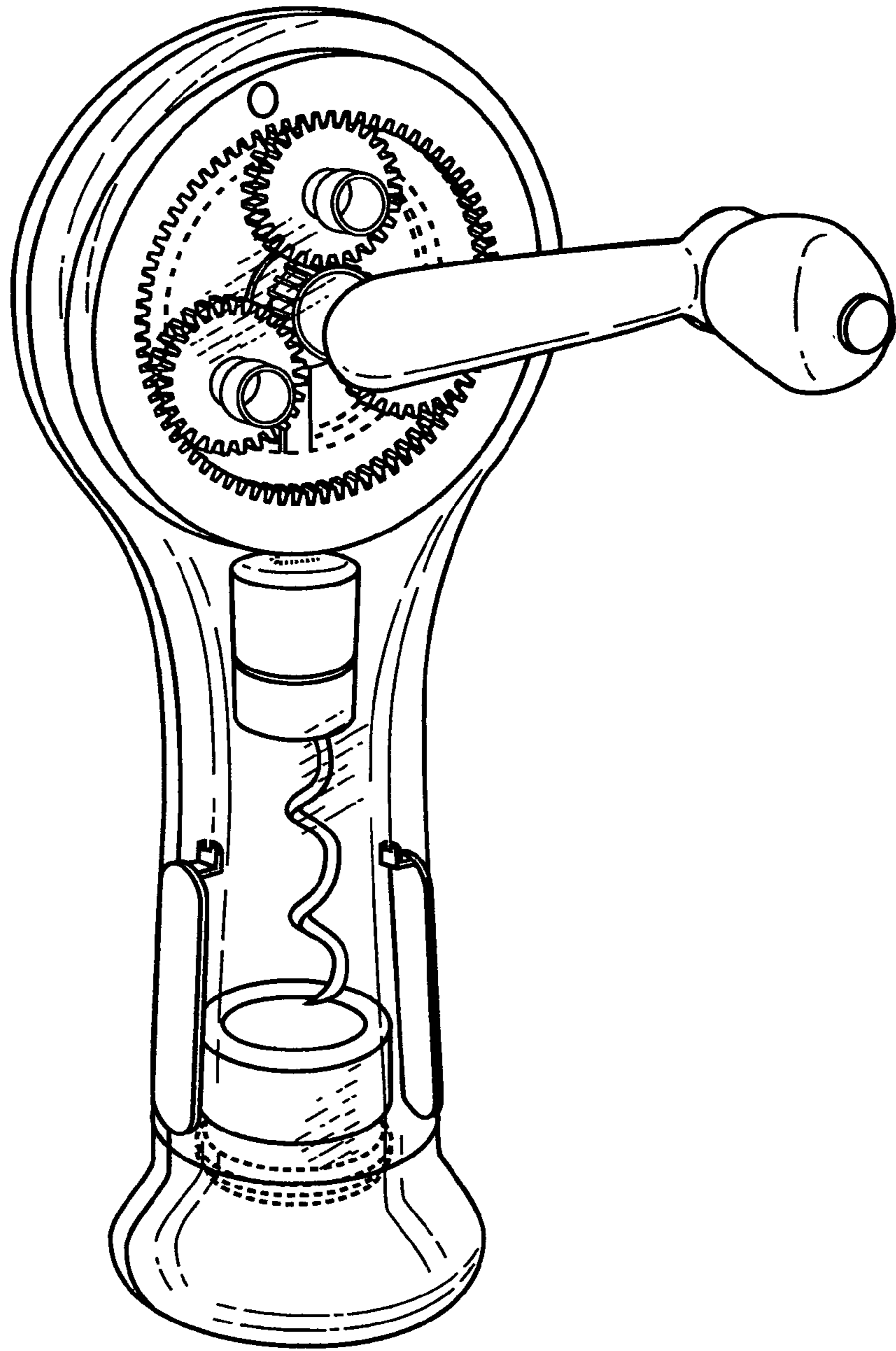


Fig. 1

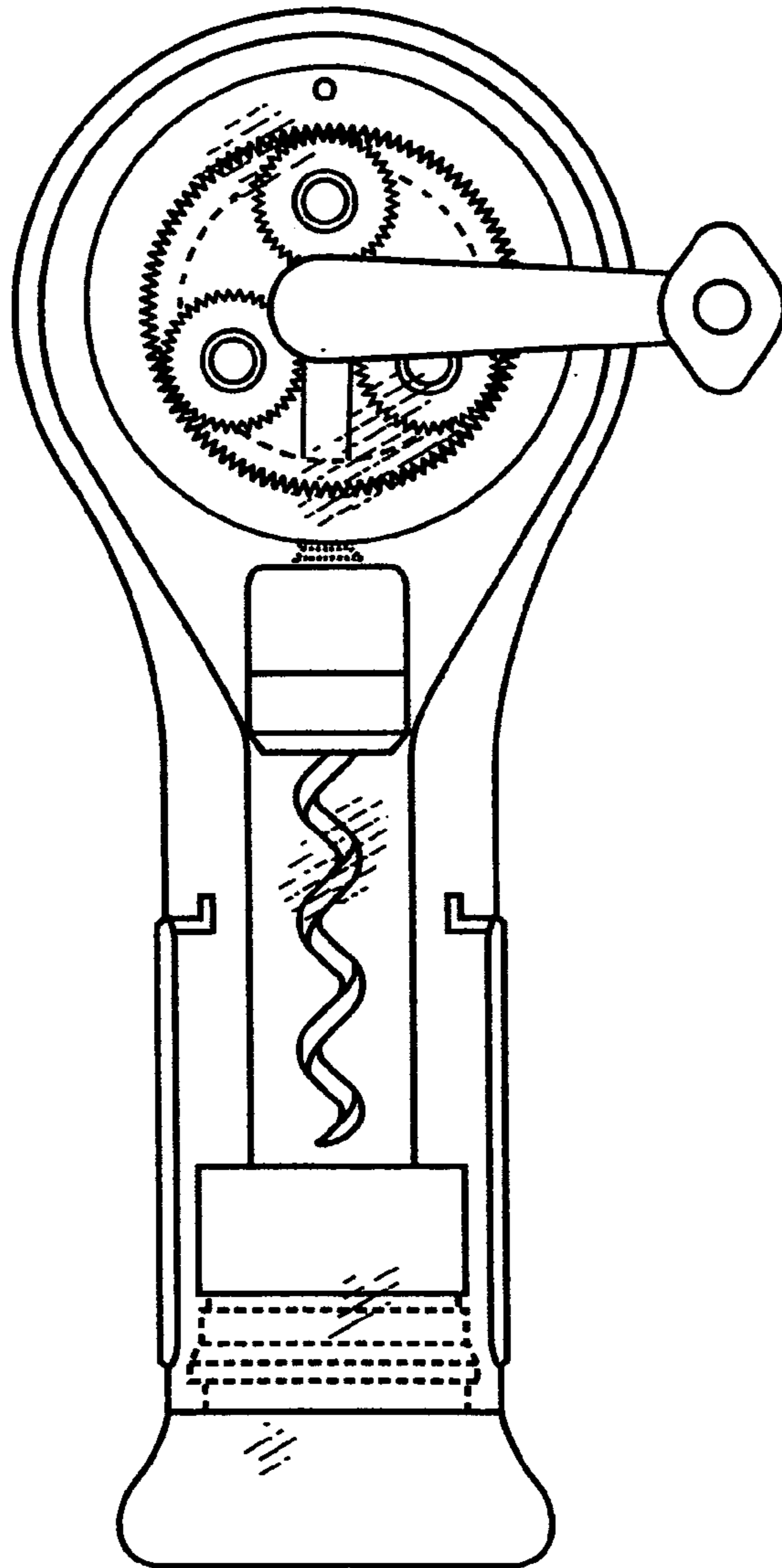


Fig. 2

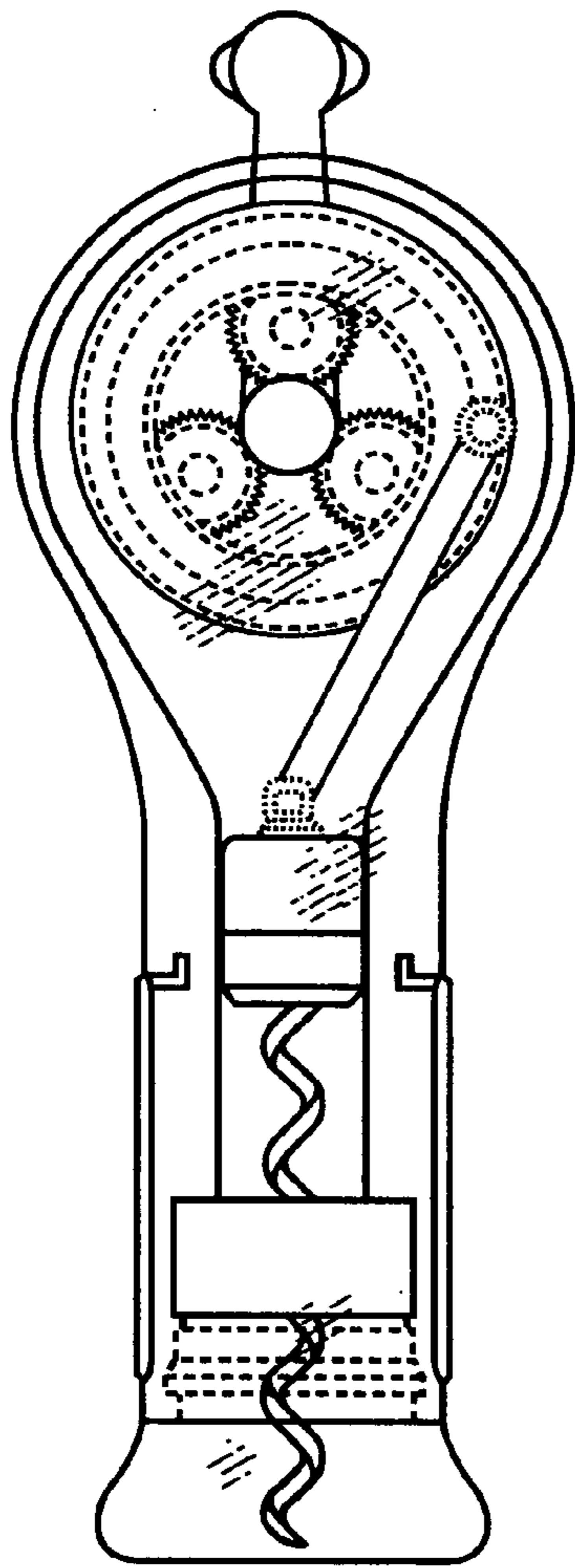


Fig. 3

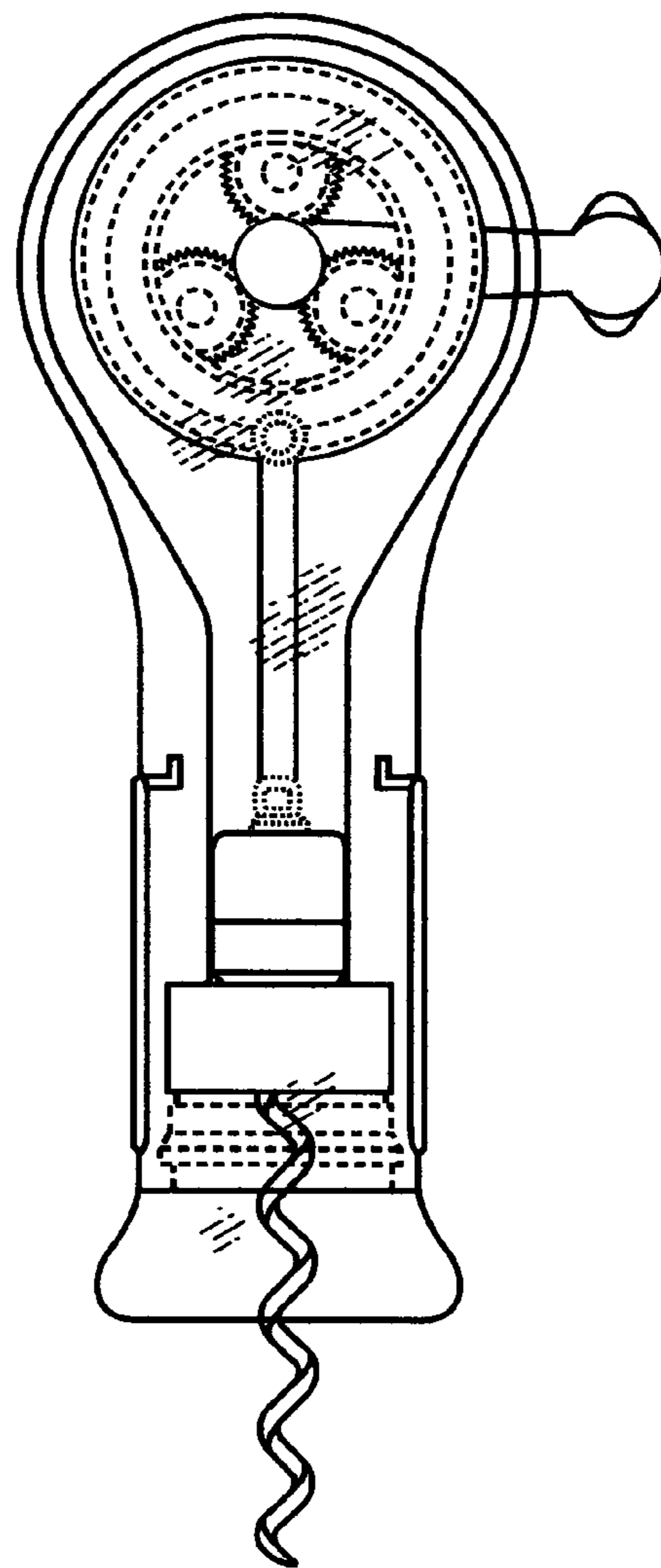


Fig. 4

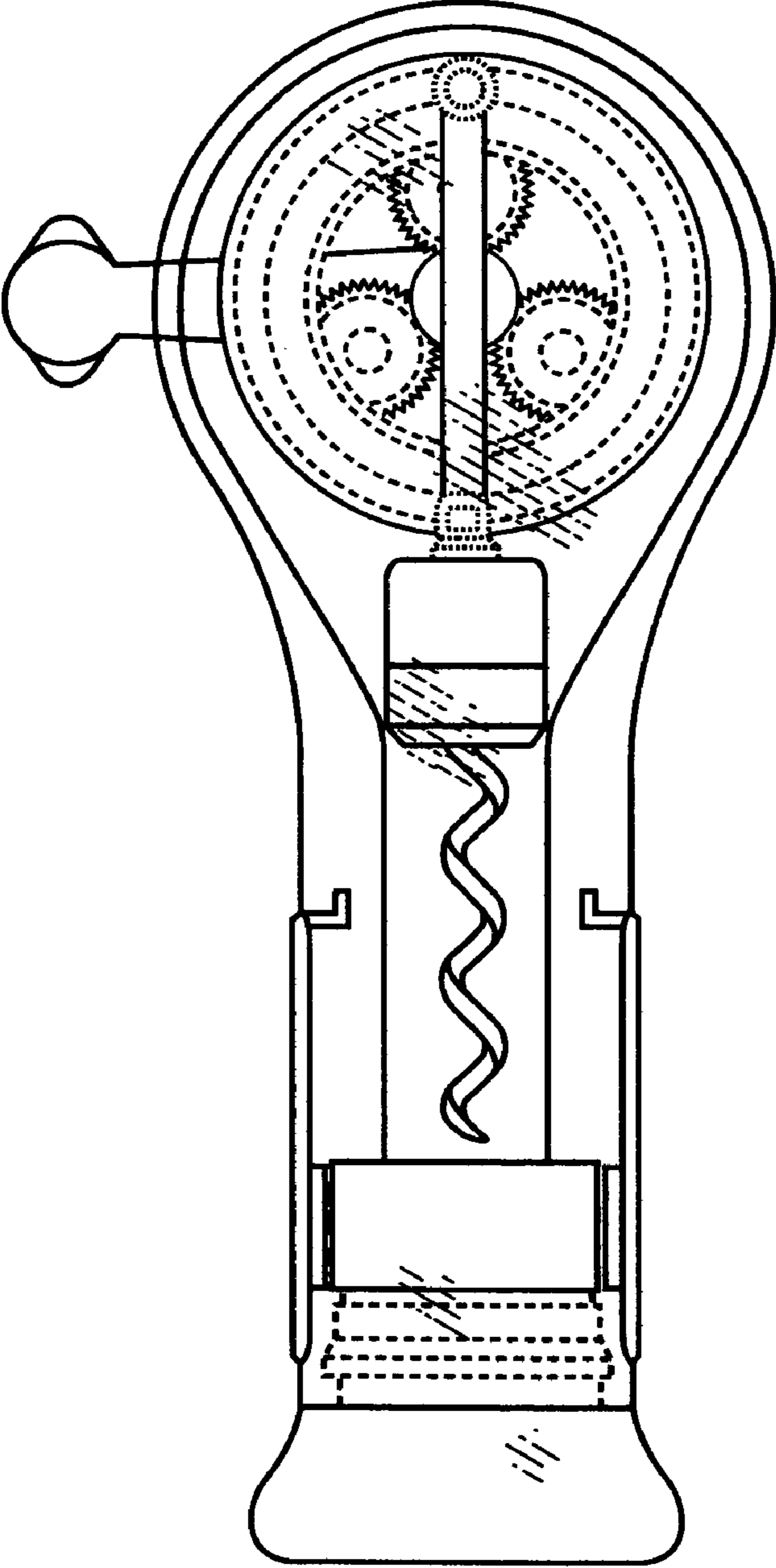


Fig. 5

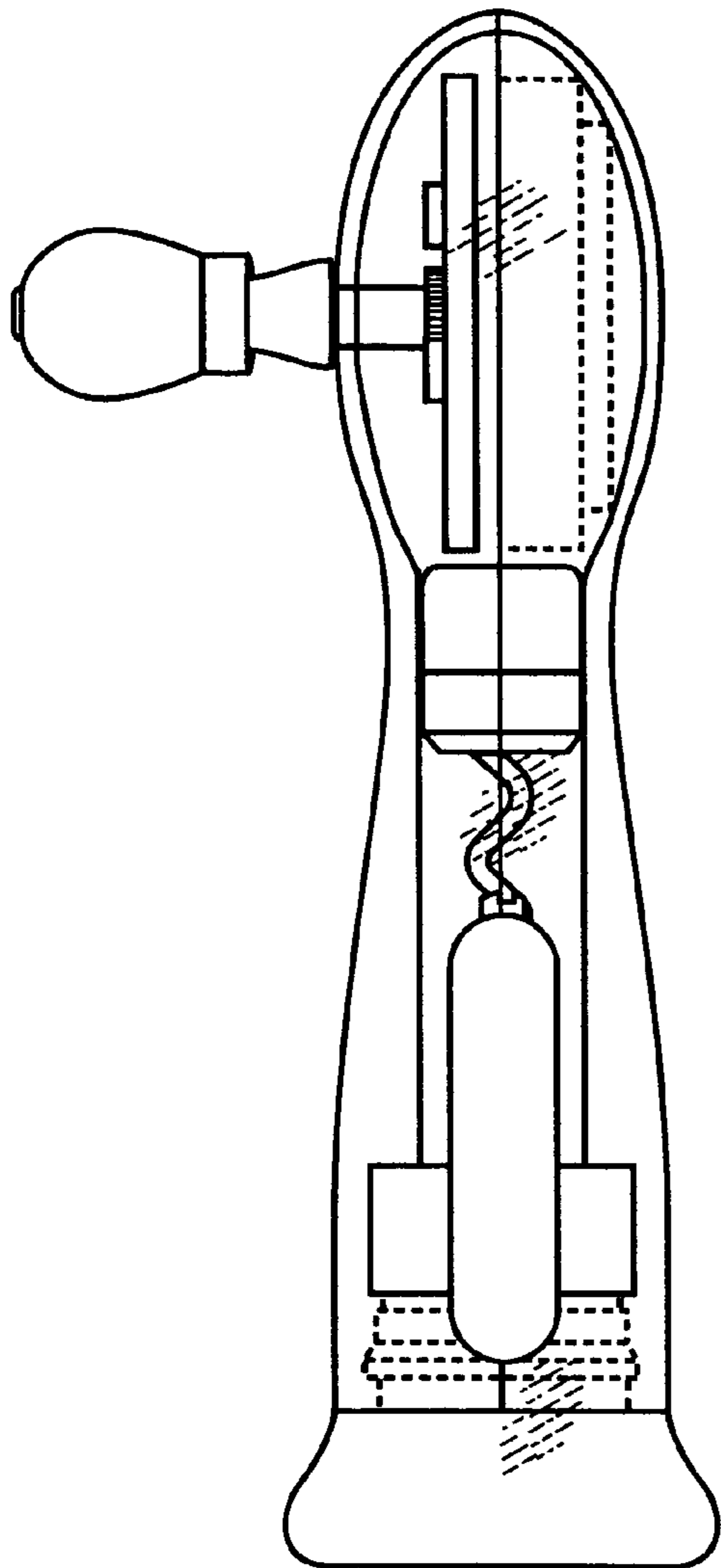


Fig. 6

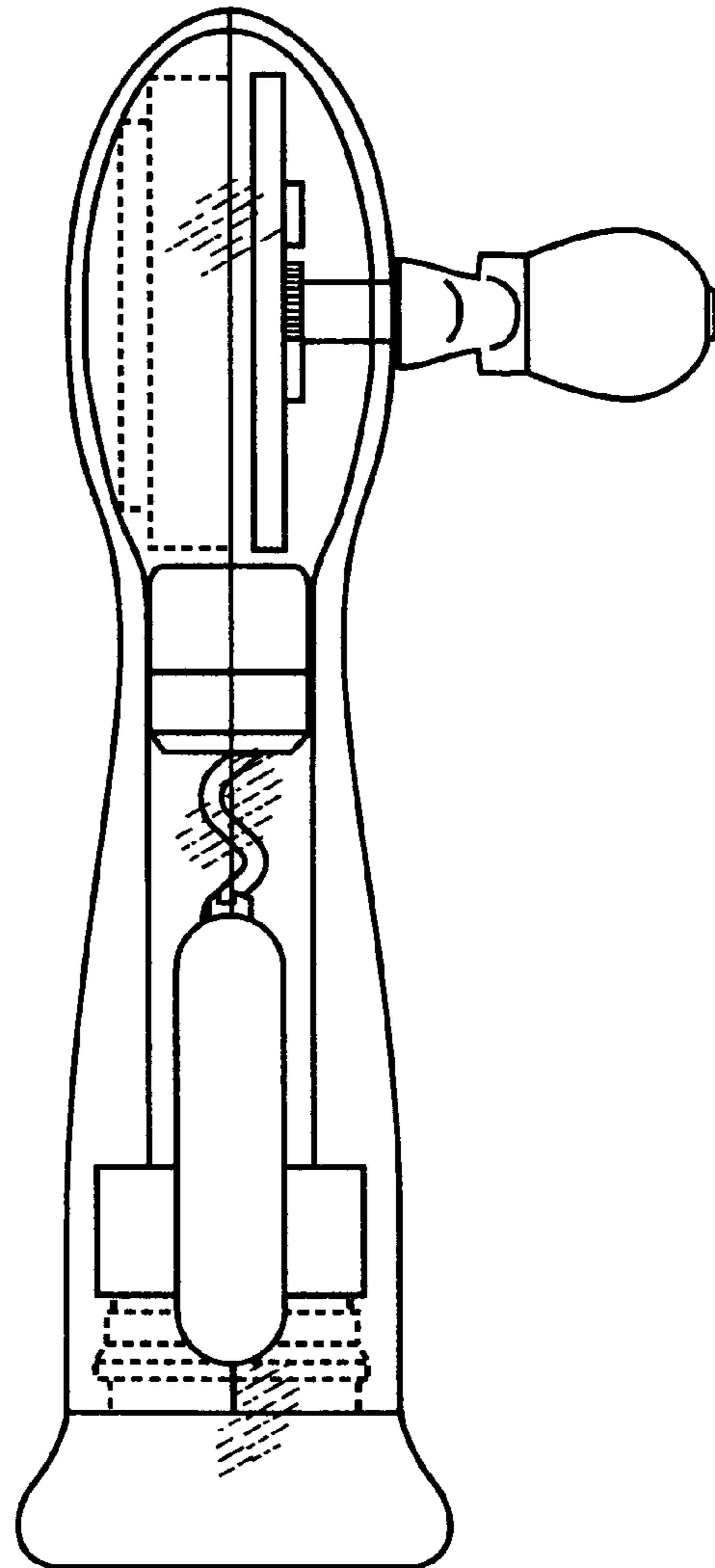


Fig. 7

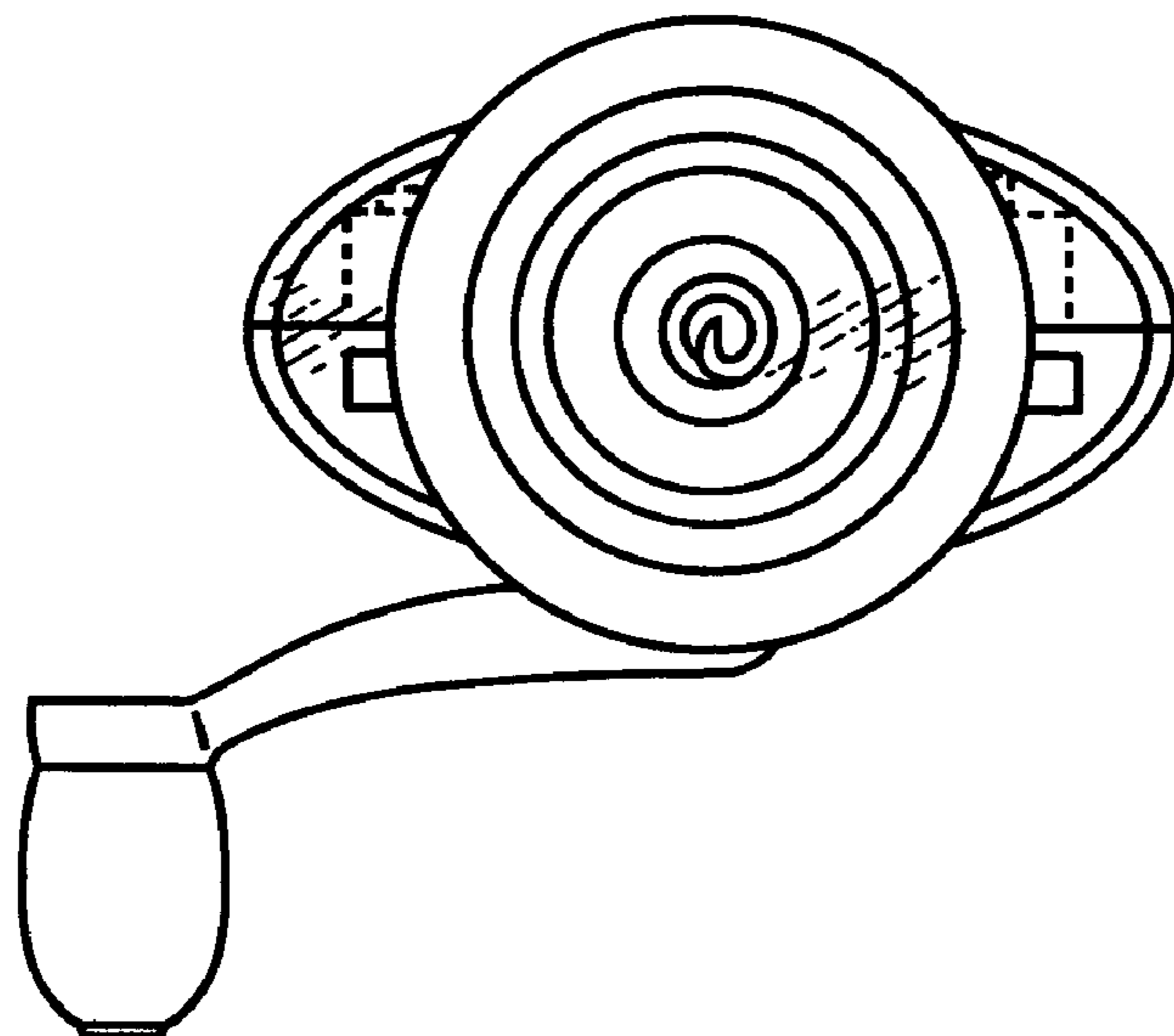


Fig. 8

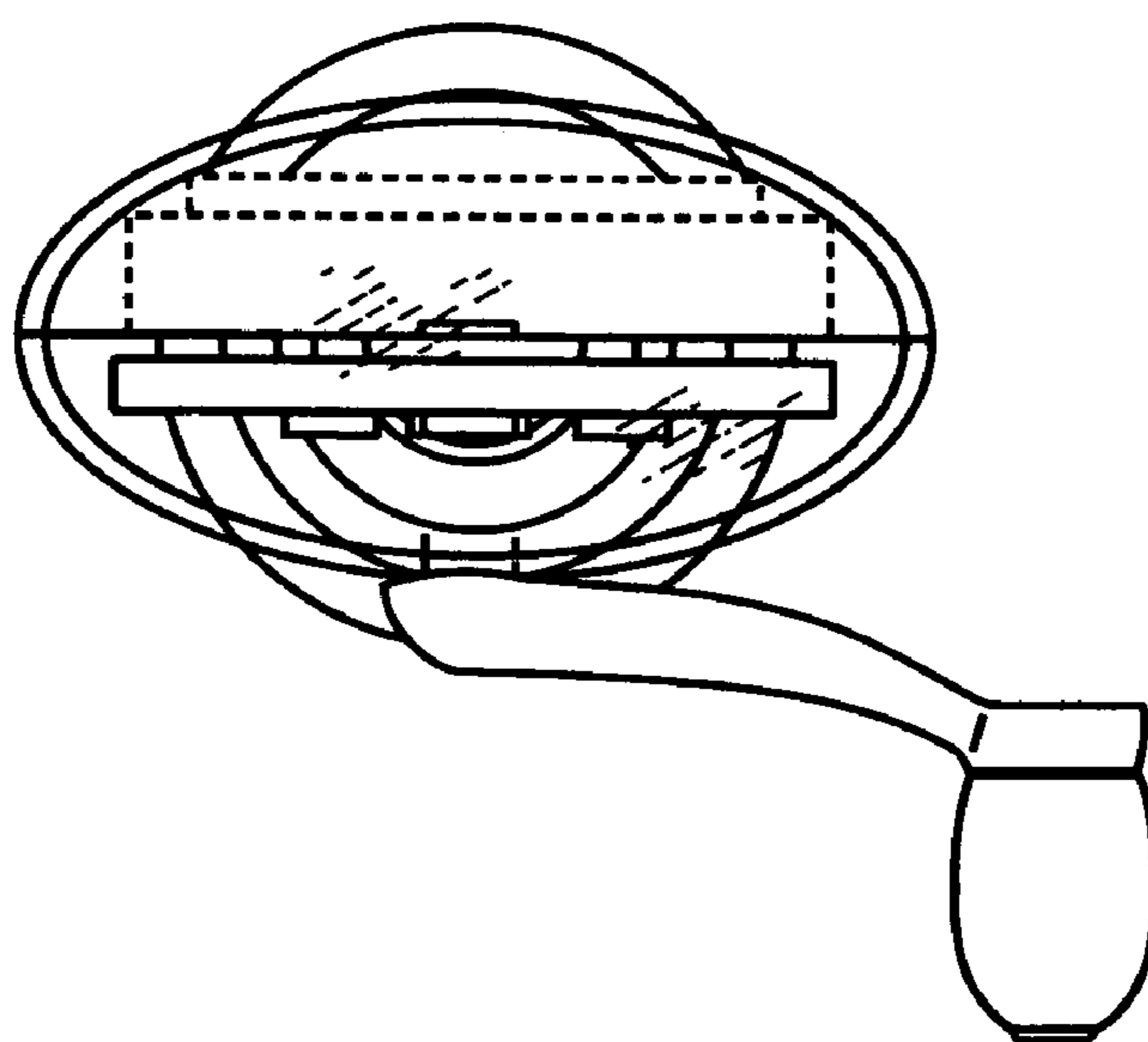


Fig. 9